

阅读申明

- 1.本站收集的数据手册和产品资料都来自互联网，版权归原作者所有。如读者和版权方有任何异议请及时告之，我们将妥善解决。
- 2.本站提供的中文数据手册是英文数据手册的中文翻译，其目的是协助用户阅读，该译文无法自动跟随原稿更新，同时也可能存在翻译上的不当。建议读者以英文原稿为参考以便获得更精准的信息。
- 3.本站提供的产品资料，来自厂商的技术支持或者使用者的心得体会等，其内容可能存在描述上的差异，建议读者做出适当判断。
- 4.如需与我们联系，请发邮件到marketing@iczoom.com，主题请标有“数据手册”字样。

Read Statement

1. The datasheets and other product information on the site are all from network reference or other public materials, and the copyright belongs to the original author and original published source. If readers and copyright owners have any objections, please contact us and we will deal with it in a timely manner.
2. The Chinese datasheets provided on the website is a Chinese translation of the English datasheets. Its purpose is for reader's learning exchange only and do not involve commercial purposes. The translation cannot be automatically updated with the original manuscript, and there may also be improper translations. Readers are advised to use the English manuscript as a reference for more accurate information.
3. All product information provided on the website refer to solutions from manufacturers' technical support or users the contents may have differences in description, and readers are advised to take the original article as the standard.
4. If you have any questions, please contact us at marketing@iczoom.com and mark the subject with "Datasheets" .

Rotary Position Sensors



Connector Dust-proof Type SV21 Series

■ Features

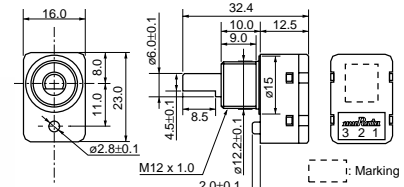
1. Available for 200 degrees max. of effective rotational angle.
2. A programmable hole IC can be available for optional output voltage curve.
3. Temperature compensate range -20 to +85 degree C
4. 10M cycles rotational life
5. Optimal connector: Connector socket and Bushing mount

■ Applications

1. Valve actuator
2. Measuring Equipment
3. Farm Equipment
4. Construction Equipment
5. Mechatronics



SV21

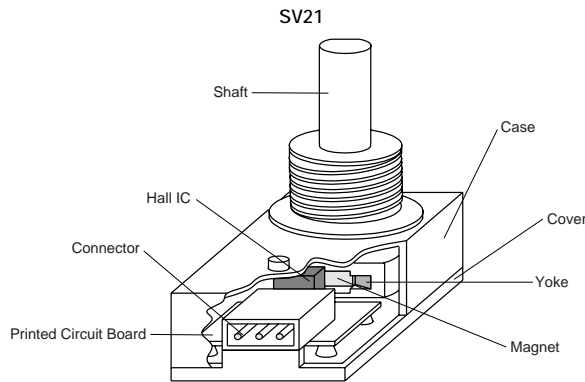


1	Gnd
2	Output
3	+5V DC

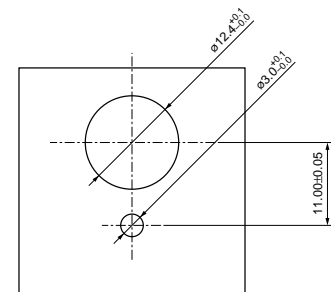
The shaft position in this drawing shows 0 deg. angle.
 Connector: J.S.T.Mfg Co., Ltd. Model No.: S3B-ZR-SM2

Part Number	Action Voltage	Linearity	Effective Rotational Angle	Rotational Torque	Rotational Life
SV21C201BJA01	5±0.5VDC	±2%FS/±100°	200° max.	5mN·m (Ref.; 50gf·cm) max.	10M cycles

■ Construction



■ Standard Mounting Holes

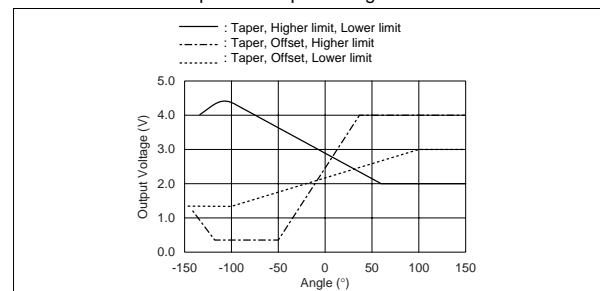


(in mm)

■ Characteristics

Operating Temperature Range	-25 to +85°C
Temperature Characteristics	±4% / 25°C / Full Scale
Input Current	10mA max.
Output Voltage Range	Available to set In range : 10±4% (0.5±0.2V) to 90±4% (4.5±0.2V) of input voltage range
Rotational Life	Linearity: ±3% Full Scale
Vibration	Linearity: ±3% Full Scale
Shock	Linearity: ±3% Full Scale

Optional Output Voltage Curve



SV21 Series Notice

■ Notice (Operating and Storage Conditions)

1. Store in temperatures of -10 to +40 deg. C and relative humidity of 30-85%RH.
2. Do not store in or near corrosive gases.
3. Use within six months after delivery.
4. Open the package just before using.
5. Do not store under direct sunlight.
6. Do not use the rotary position sensor under the following environmental conditions. If you use the rotary position sensor in an environment other than these listed below, please consult with Murata factory representative prior to using.
 - (1) Corrosive gasses atmosphere
(Ex. Chlorine gas, Hydrogen sulfide gas, Ammonia gas, Sulfuric acid gas, Nitric oxide gas, etc.)
 - (2) In liquid
(Ex. Water, Oil, Medical liquid, Organic solvent, etc.)
 - (3) Dusty / dirty atmosphere
 - (4) Direct sunlight
 - (5) Static voltage nor electric/magnetic fields
 - (6) Direct sea breeze
 - (7) Other variations of the above

■ Notice (Soldering and Mounting)

1. When installing sensor, tighten the nut at the torque levels less than 1.0N.m (10kgf.cm as reference).
The exceeded force might damage the screw thread of sensor.
2. When coupling to the shaft of sensor, handle within max. value of shaft force.
3. Don't wire the sensor while the power supply is ON.
Be careful during wiring.
4. Please design the cable wire to avoid the influence of the power line or high voltage line.
5. Please use the recommended connector which is "ZHR-3 series / J.S.T. made".
When using other connector, the contact problem might happen or the connector might be damaged.
6. Can not be cleaned by any solvents due to the open construction.

■ Notice (Handling)

1. Uncontrolled mechanical force except usual rotation on the shaft of product, may cause big change of electrical characteristic, big increase of rotational torque or mechanical damage of product.
Therefore, please pay your attention on the following points for your design.
Please design your coupler by holding shaft bush to avoid exceeded radial or thrust shaft force of sensor.
2. The magnetic is installed inside of sensor.
Please pay your attention as below.
 - (1) If sensor closes magnetic storage (magnetic tape, floppy disc drive etc.), the magnetic memory might be damaged.
 - (2) Don't close sensor to patient who is wearing electrical medical equipments. The equipment might malfunction due to magnetic influence of sensor.

■ Notice (Other)

1. Input voltage
Please design the input voltage value of less deteriorated with age and smaller ripple because of direct influence for output voltage.
Though the protection circuit of 8.5V is installed, the exceeded input voltage might damage inner circuit of sensor.
2. Influence of magnetic field
Don't place another magnetic materials or magnetic generator. These might happen malfunction of your set due to changing the output voltage of sensor.