

阅读申明

- 1.本站收集的数据手册和产品资料都来自互联网，版权归原作者所有。如读者和版权方有任何异议请及时告之，我们将妥善解决。
- 2.本站提供的中文数据手册是英文数据手册的中文翻译，其目的是协助用户阅读，该译文无法自动跟随原稿更新，同时也可能存在翻译上的不当。建议读者以英文原稿为参考以便获得更精准的信息。
- 3.本站提供的产品资料，来自厂商的技术支持或者使用者的心得体会等，其内容可能存在描述上的差异，建议读者做出适当判断。
- 4.如需与我们联系，请发邮件到marketing@iczoom.com，主题请标有“数据手册”字样。

Read Statement

1. The datasheets and other product information on the site are all from network reference or other public materials, and the copyright belongs to the original author and original published source. If readers and copyright owners have any objections, please contact us and we will deal with it in a timely manner.
2. The Chinese datasheets provided on the website is a Chinese translation of the English datasheets. Its purpose is for reader's learning exchange only and do not involve commercial purposes. The translation cannot be automatically updated with the original manuscript, and there may also be improper translations. Readers are advised to use the English manuscript as a reference for more accurate information.
3. All product information provided on the website refer to solutions from manufacturers' technical support or users the contents may have differences in description, and readers are advised to take the original article as the standard.
4. If you have any questions, please contact us at marketing@iczoom.com and mark the subject with "Datasheets" .

Solid State Pressure Sensors

D8M

Solid State Pressure Sensors with Analog, Pulse or Frequency Outputs

- Compact housing measures 30L x 30W x 12.4H mm.
- Accept 4 mm OD tubing (D8M-A1, -R1); 3 mm OD tubing for (D8M-D1, -D2), 6 mm OD tubing for D8M-D82.
- Chemical-resistant plastic (PBT) body.
- Metal shield mounted version (D8M-D82) available.
- IP40 enclosure rating for embedded applications.
- Pre-wired and PCB mounting models available.



Ordering Information

Operating pressure range	Output signal	Output frequency	Power supply voltage	Withstand pressure	Model
0 to 4.9 kPa (0 to 0.71 psi)	Analog, 15 to 1247 mV	--	2.2 ±0.1 VDC	58.8 kPa (8.53 psi) for 3 minutes	D8M-A1
0 to 5.88 kPa (0 to 0.85 psi)	Pulse count, 1 pulse/9.81 Pa (1/0.0014 psi)	--	2.2 to 3.4 VDC with regulator	58.8 kPa (8.53 psi) for 3 minutes	D8M-D1
0 to 5.88 kPa (0 to 0.85 psi)	Pulse count, 1 pulse/9.81 Pa (1/0.0014 psi)	--	2.2 to 3.4 VDC with regulator	58.8 kPa (8.53 psi) for 3 minutes	D8M-D2
0 to 4.9 kPa (0 to 0.71 psi)	Pulse count, 1 pulse/9.81 Pa (1/0.0014 psi)	--	2.2 to 3.4 VDC with regulator	19.6 kPa (2.84 psi) for 5 minutes	D8M-D82
0 to 196.13 Pa (0 to 0.028 psi)	Frequency, 1 kHz/9.81 Pa (1 kHz/0.0014 psi)	80 to 300 kHz	4.2 to 5.5 VDC with regulator	3 kPa (0.435 psi) for 10 seconds	D8M-R1

Specifications

■ Electrical Ratings

Item	D8M-A1	D8M-D1	D8M-D2	D8M-D82	D8M-R1
Power supply voltage	2.2 ±0.1 VDC	2.2 to 3.4 VDC with regulator	2.2 to 3.4 VDC with regulator	2.2 to 3.4 VDC with regulator	4.2 to 5.5 VDC with regulator
Current consumption	2.5 mA max.	25 mA max.	25 µA	100 mA ±5% at 3 VDC	10 mA max.
Load resistance	1 MΩ min.	--	--	--	--
Output resistance	500 Ω max.	--	--	--	--
Leakage current	1 mA or less	1 mA or less	1 mA or less	1 mA or less	1 mA or less
Output voltage	15 to 1247 mV	--	--	--	--
Output pulses	--	--	--	--	80 to 300 kHz
Output resolution	(Note 1)	1 pulse/9.81 Pa	1 pulse/9.81 Pa	1 pulse/9.81 Pa	1 kHz/9.81 Pa
Output voltage rate of change with resistance load change	1 MΩ or more into 30 kΩ is made within 2.5%	--	--	--	--
Output voltage by input pressure	0.98 kPa = 261 mV 1.96 kPa = 508 mV 3.73 kPa = 951 mV 4.9 kPa = 1247 mV (Note 1)	--	--	--	--
Operating characteristics	±62 mV initial	--	--	--	--
	±37 mV during test and after	0 kPa = 30 pulses 0.59 kPa = 60 ±32 pulses 1.96 kPa = 200 ±24 pulses 3.73 kPa = 380 ±24 pulses 5.39 kPa = 530 ±82 pulses (Note 2)	0 kPa = 30 pulses 0.59 kPa = 60 ±32 pulses 1.96 kPa = 200 ±24 pulses 3.73 kPa = 380 ±24 pulses 5.39 kPa = 550 ±82 pulses (Note 2)	0 kPa = 30 pulses 0.15 kPa = 45 ±30 pulses 2 kPa = 204 ±15 pulses 4 kPa = 438 ±46 pulses	0 Pa = 180 ±100 kHz; Incremental change from 0 value: 49.03 Pa = 5 ±0.9 kHz 73.55 Pa = 7.5 ±1.0 kHz 147.10 Pa = 15 ±0.8 kHz 196.13 Pa = 20 ±1.4 kHz (Note 2)
	±62 mV temperature influence	--	--	--	--

Note: 1. Output voltage (mV) = Supply voltage V (2.2) x (2.464 x Pressure (kPa)/9.8 x 1000 + 15)

2. Values measured during and after testing.

■ Operating Characteristics

Item	D8M-A1	D8M-D1	D8M-D2	D8M-D82	D8M-R1
Pressure type	Gauge				
Pressure range	0 to 4.9 kPa (0 to 0.71 psi)	0 to 5.88 kPa (0 to 0.85 psi)	0 to 5.88 kPa (0 to 0.85 psi)	0 to 4.9 kPa (0 to 0.71 psi)	0 to 196.13 Pa (0 to 0.028 psi)
Withstand pressure	5.88 kPa for 3 minutes	58.8 kPa for 3 minutes	58.8 kPa for 3 minutes	19.6 kPa for 5 minutes	3 kPa for 10 seconds
Repeatability/hysteresis	±0.5% FS	±0.5% FS	NA	±0.5% FS	±0.5% FS
Non-linearity characteristics	--	--	--	±2% FS max.	±2% FS max.
Response time	3.0 ms	2.5 ms (pressure) 18 ms max. (switch) 100 ms (discharge)	3 ms (pressure) 32 ms max. (switch) 250 ms (discharge)	1.5 ms (pressure) 30 ms max. (switch) 45 ms (discharge)	3 seconds max.
Operating temperature (Note)	-30° to 70°C	-30° to 70°C	-30° to 70°C	-10° to 60°C	-20° to 70°C
Storage temperature (Note)	-40° to 80°C	-40° to 80°C	-40° to 80°C	-20° to 70°C	-30° to 80°C
Operating humidity	25 to 95%	25 to 95%	25 to 95%	25 to 95%	25 to 95%

Note: With no icing or condensation

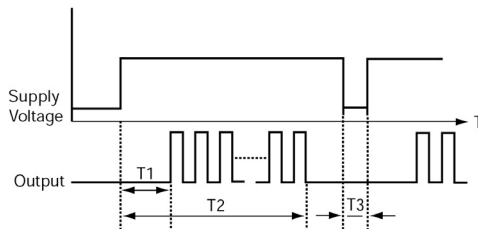
Environmental Characteristics

Item	D8M-A1	D8M-D1	D8M-D2	D8M-D82	D8M-R1
Insulation resistance	100 mΩ min., 250 VDC between lead terminals and the base				
Dielectric strength	250 VAC, 50/60 Hz for 1 minute between lead terminals and the base				500 VAC, 50/60 Hz for 1 minute between terminals and the base
Degree of protection	NA	IP40	IP40	IP40	IP40
Pressure port	4 mm OD	3 mm OD	3 mm OD	6 mm OD	4 mm OD
Connection method	Solder on PC boards	Wiring connector on top	Wiring connector on top	Three AWG26 wires, 115 mm long	Wiring connector on bottom
Weight	NA	NA	NA	NA	NA
Material	PBT (polybutylene terephthalate)				

Operation

Response Timing Charts

D8M-D1, D2, D82

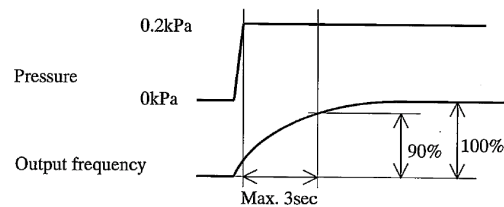


Model	T1	T2	T3
D8M-D1	2.5 ms min.	18 ms max.	100 ms min.
D8M-D2	3.0 ms min.	32 ms max.	250 ms min.
D8M-D82	1.5 ms min.	30 ms max.	45 ms max.

Legend: T1, Pressure measurement time
 T2, Response time
 T3, Electrical discharge time

D8M-R1

Response time to 90% of 0.2kPa
 Max. 3 seconds (excluding time for pressure change)



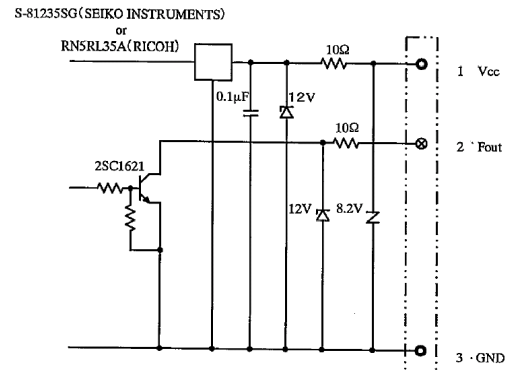
Application Examples

Compact D8M solid state pressure sensors provide reliable detection for gas and air inflow for burner controls in water heaters, furnaces and other gas-fired devices. They can also be used in gas usage meters.



Interface Circuit Diagram

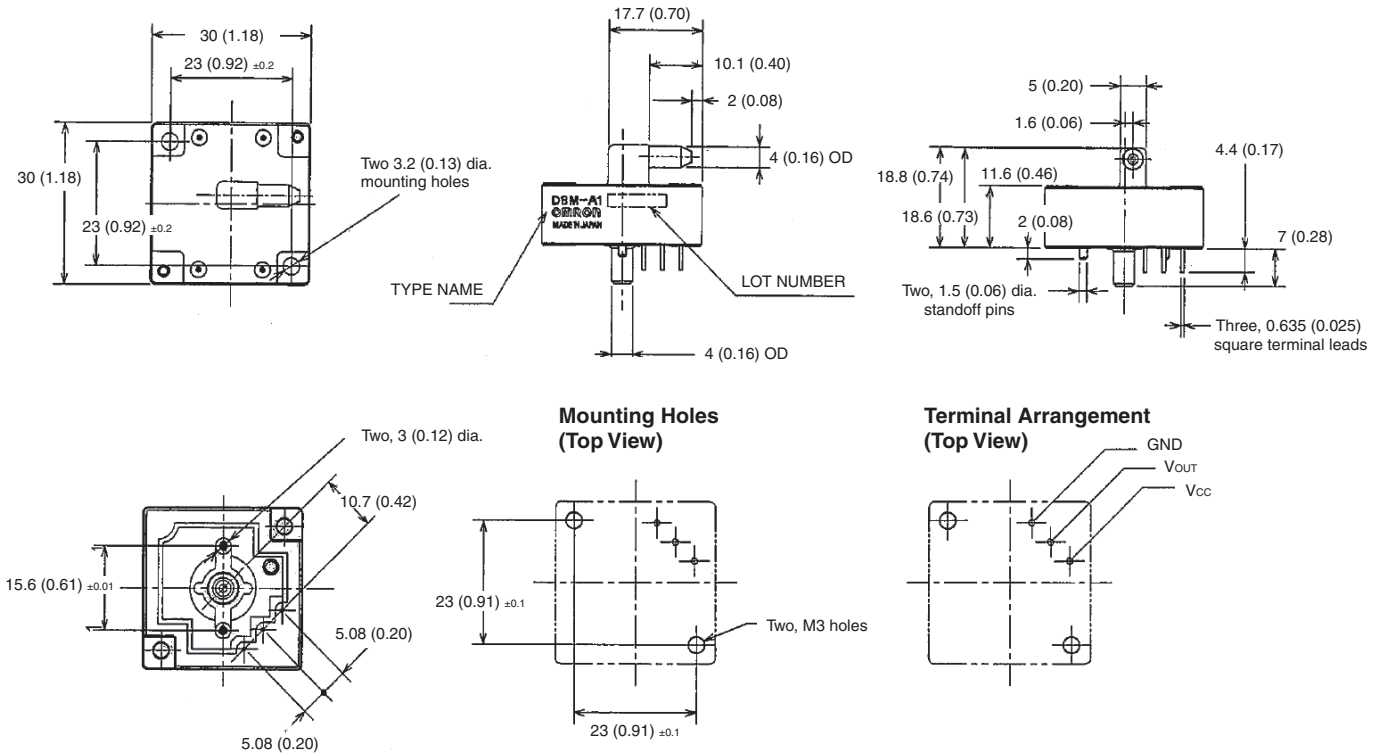
D8M-R1



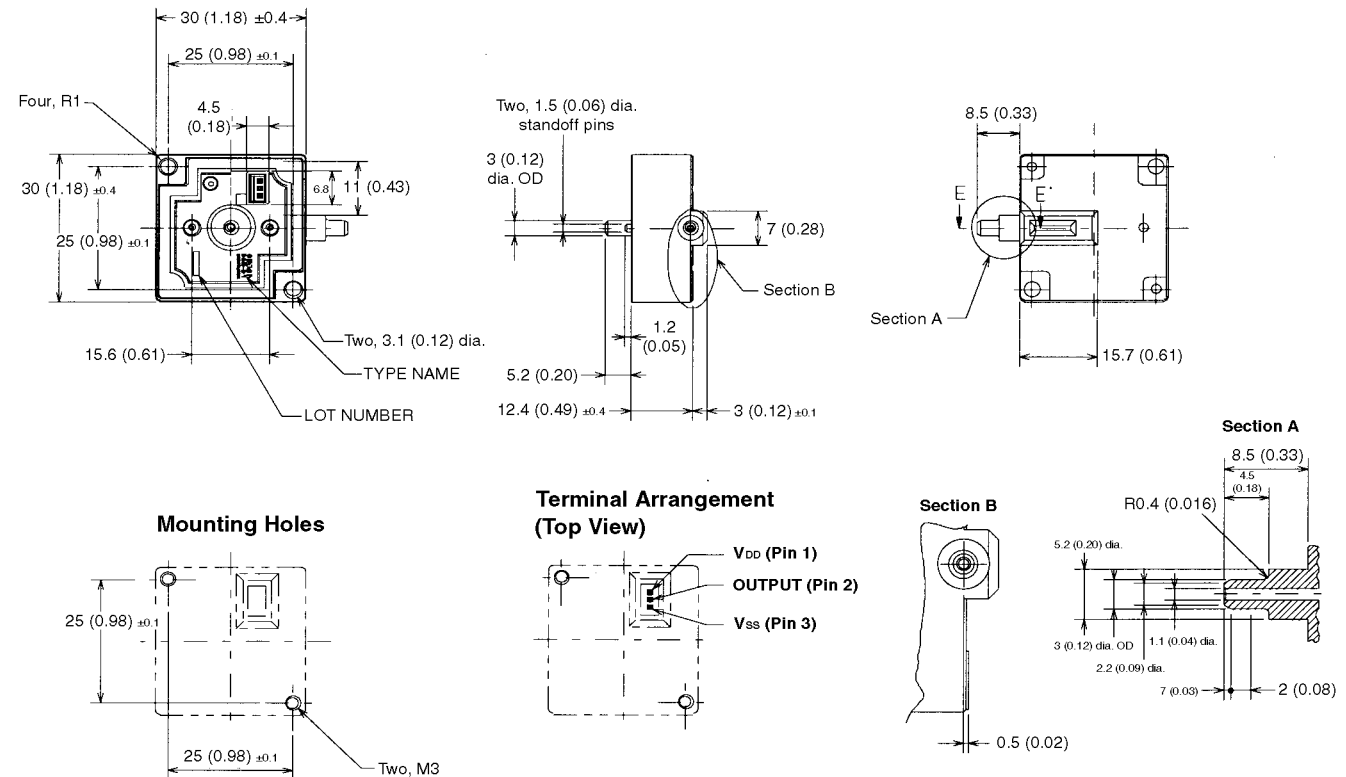
Dimensions

Unit: mm (inch)

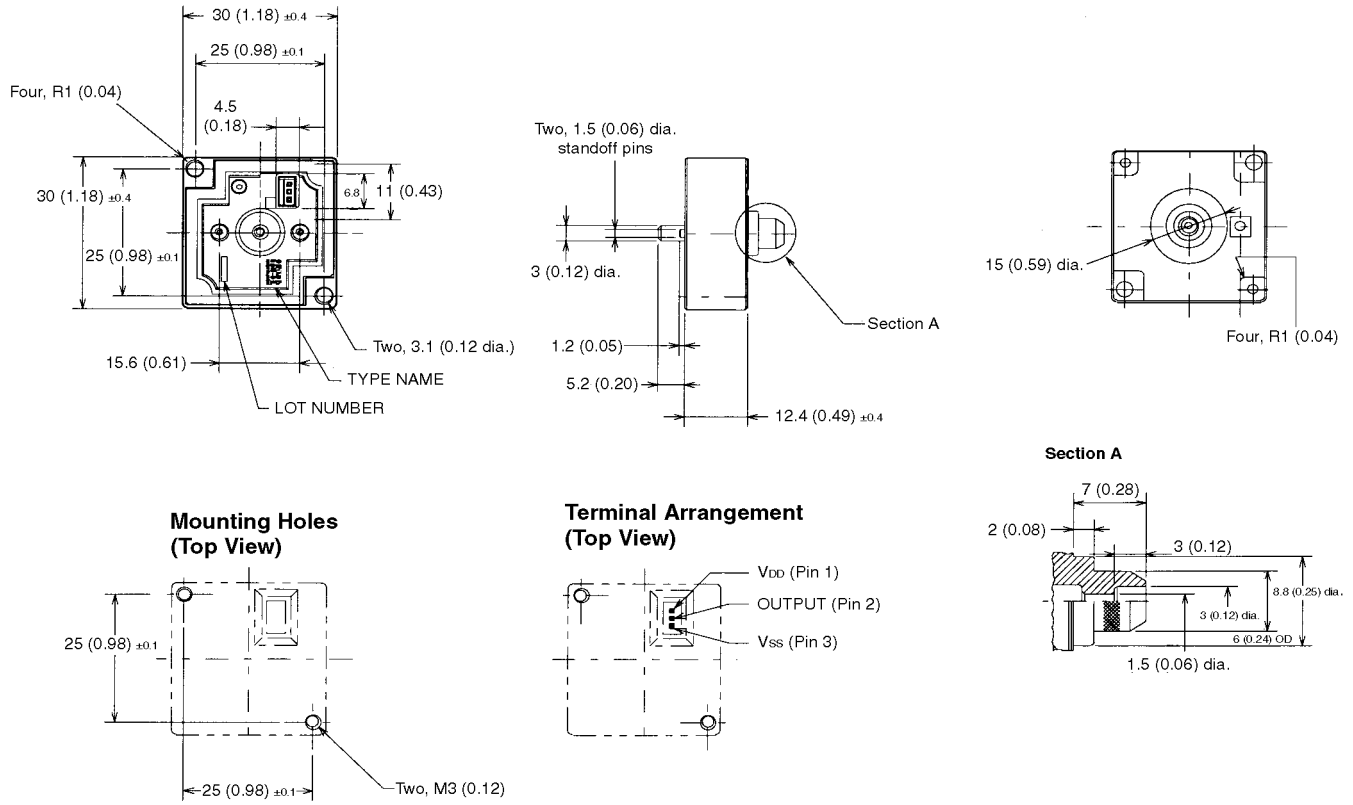
■ D8M-A1



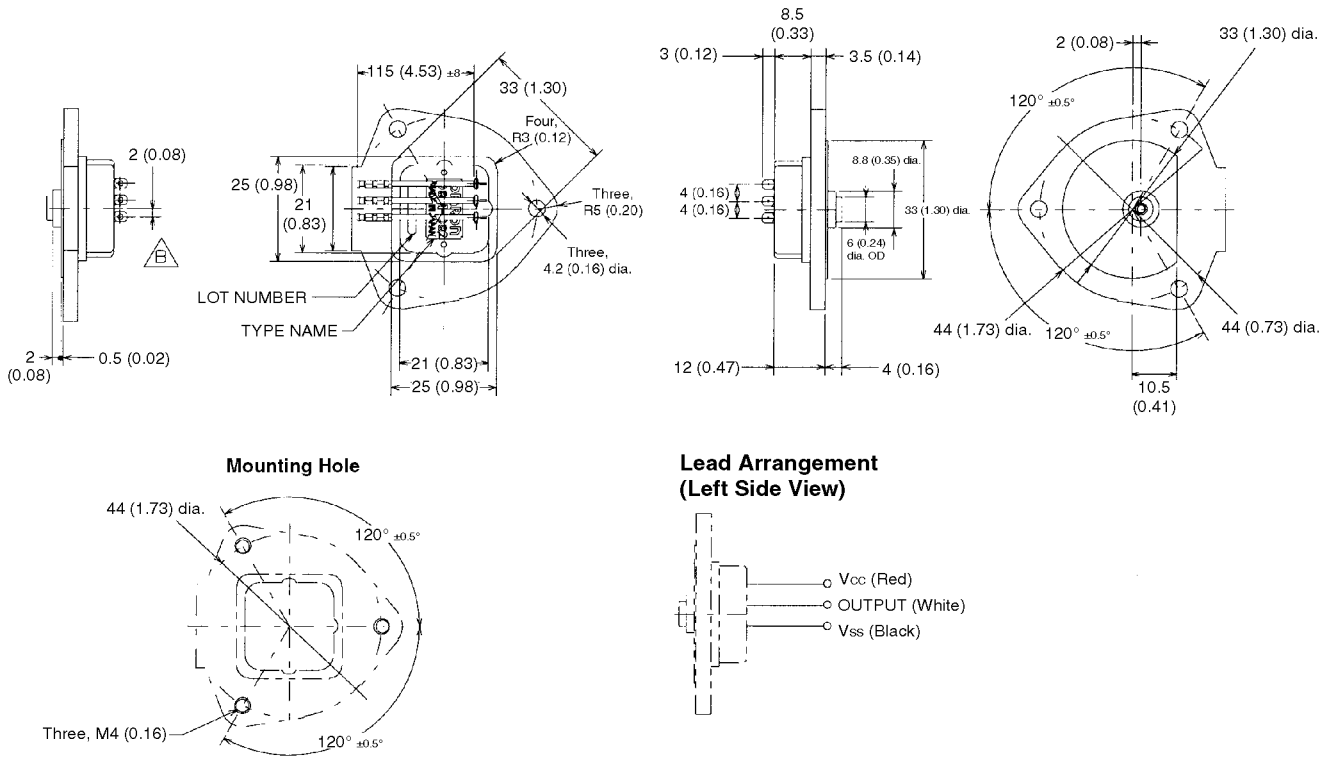
■ D8M-D1



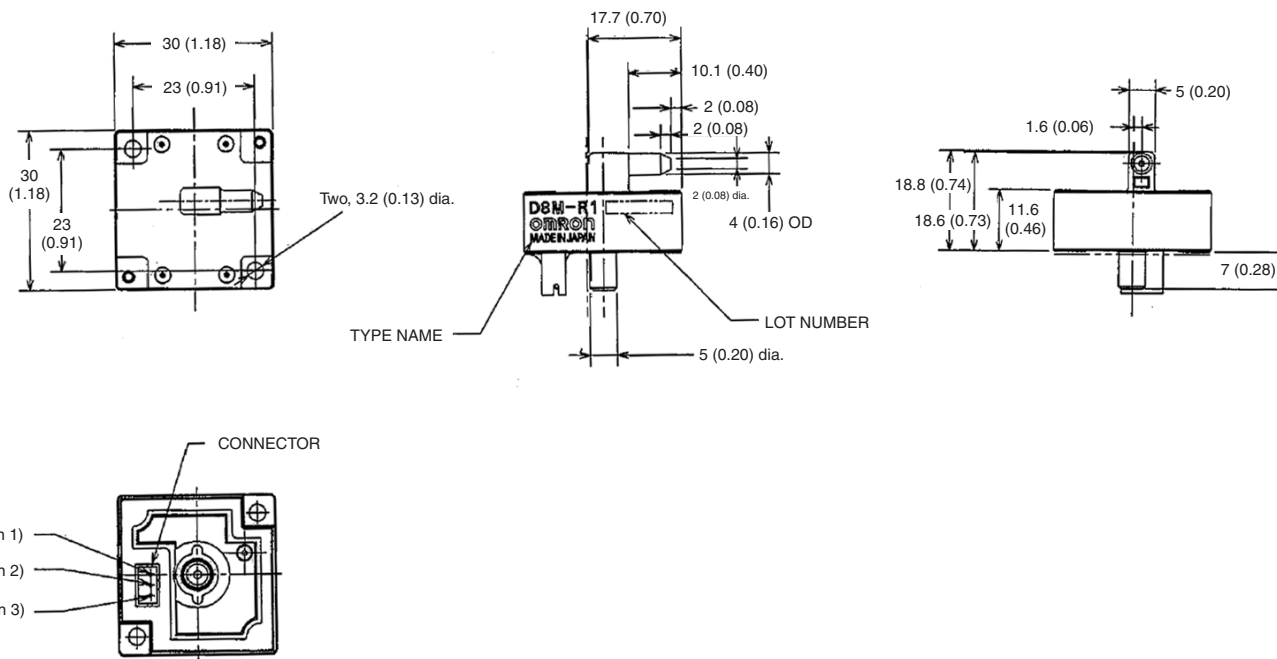
■ D8M-D2



■ D8M-D82



■ D8M-R1



Precautions

Be sure to abide by the following precautions for the safe operation of the Sensor.

■ Soldering

Solder D8M-A1 on PC boards within 5 seconds using a soldering iron whose tip temperature is adjusted to 345° to 355°C.

■ Mounting

For proper operation, mount the sensor within ±10 degrees of level.

ALL DIMENSIONS SHOWN ARE IN MILLIMETERS. To convert millimeters into inches, divide by 25.4



OMRON ELECTRONICS LLC
 One Commerce Drive
 Schaumburg, IL 60173
847-882-2288

OMRON CANADA, INC.
 885 Milner Avenue
 Toronto, Ontario M1B 5V8
416-286-6465

OMRON ON-LINE
 Global - <http://www.omron.com>
 USA - <http://www.omron.com/oei>
 Canada - <http://www.omron.ca>