

阅读申明

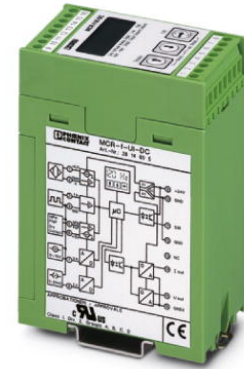
- 1.本站收集的数据手册和产品资料都来自互联网，版权归原作者所有。如读者和版权方有任何异议请及时告之，我们将妥善解决。
- 2.本站提供的中文数据手册是英文数据手册的中文翻译，其目的是协助用户阅读，该译文无法自动跟随原稿更新，同时也可能存在翻译上的不当。建议读者以英文原稿为参考以便获得更精准的信息。
- 3.本站提供的产品资料，来自厂商的技术支持或者使用者的心得体会等，其内容可能存在描述上的差异，建议读者做出适当判断。
- 4.如需与我们联系，请发邮件到marketing@iczoom.com，主题请标有“数据手册”字样。

Read Statement

1. The datasheets and other product information on the site are all from network reference or other public materials, and the copyright belongs to the original author and original published source. If readers and copyright owners have any objections, please contact us and we will deal with it in a timely manner.
2. The Chinese datasheets provided on the website is a Chinese translation of the English datasheets. Its purpose is for reader's learning exchange only and do not involve commercial purposes. The translation cannot be automatically updated with the original manuscript, and there may also be improper translations. Readers are advised to use the English manuscript as a reference for more accurate information.
3. All product information provided on the website refer to solutions from manufacturers' technical support or users the contents may have differences in description, and readers are advised to take the original article as the standard.
4. If you have any questions, please contact us at marketing@iczoom.com and mark the subject with "Datasheets" .

MCR-F-UI-DC

Order No.: 2814605



<http://eshop.phoenixcontact.de/phoenix/treeViewClick.do?UID=2814605>

MCR frequency measuring transducer, programmable, for converting frequencies into analog signals, with 3-way isolation and configurable output

Commercial data	
EAN	4017918168827
Pack	1 pcs.
Customs tariff	85437090
Weight/Piece	0.2349 KG
Catalog page information	Page 378 (IF-2009)

Product notes

WEEE/RoHS-compliant since:
03/28/2007



<http://www.download.phoenixcontact.com>
Please note that the data given here has been taken from the online catalog. For comprehensive information and data, please refer to the user documentation. The General Terms and Conditions of Use apply to Internet downloads.

Technical data

Input data	
Frequency input	Frequency input
Number of inputs	3
Configurable/programmable	Yes
Frequency measuring range	0.1 Hz ... 120 kHz

Available input sources	NPN/PNP transistor outputs
	NAMUR initiators
	Floating relay contact (dry contact)
	Frequency generator
Encoder supply voltage	Approx. 15 V DC
Encoder supply current	max. 25 mA (constant)
Signal level	2 V _{PP} (In case of rectangle 0.1 Hz ... 120 kHz)
	2 V _{PP} (In case of sine 8 Hz ... 120 kHz)
	13 V _{PP} (In case of sine 1 Hz ... 120 kHz)
Max. input amplitude	30 V (incl. DC voltage)
Impulse form	Any
Pulse time	≥ 1 μs
Measured value resolution	> 12 bit
A/D conversion time	≤ 32 ms
Connection method	2, 3, 4-wire
Signal input	Current input (isolating amplifier function)
Configurable/programmable	Yes
Current input signal	0 mA ... 20 mA (freely adjustable)
Input resistance current input	200 Ω
Measured value resolution	14 bit (full-scale)
Step response (10-90%)	< 25 ms
Signal input	Voltage input (isolating amplifier function)
Configurable/programmable	Yes
Voltage input signal	0 V ... 10 V (freely adjustable)
Input resistance of voltage input	95 kΩ
Measured value resolution	14 bit (full-scale)
Step response (10-90%)	< 25 ms

Output data

Output name	Voltage output
Number of inputs	1
Configurable/programmable	Yes
Voltage output signal	0 V ... 10 V
	0 V ... 5 V
	10 V ... 0 V
	5 V ... 0 V

Max. output voltage	12.5 V
Load/output load voltage output	$\geq 500 \Omega$
Output name	Current output
Configurable/programmable	Yes
Current output signal	0 mA ... 20 mA
	4 mA ... 20 mA
	20 mA ... 0 mA
	20 mA ... 4 mA
Max. output current	25 mA
Load/output load current output	$\leq 500 \Omega$

Switching output

Output name	Transistor output, pnp
Output description	Switches supply voltage to terminal block SW, can carry a load of 100 mA, not protected against short circuit

Power supply

Range of supply voltages	20 V DC ... 30 V DC
Max. current consumption	< 60 mA (without load, without switching output)

Connection data

Type of connection	Pluggable screw connection
Conductor cross section solid min.	0.2 mm ²
Conductor cross section solid max.	2.5 mm ²
Conductor cross section stranded min.	0.2 mm ²
Conductor cross section stranded max.	2.5 mm ²
Conductor cross section AWG/kcmil min.	24
Conductor cross section AWG/kcmil max	14
Stripping length	8 mm
Screw thread	M3

General data

Width	45 mm
Height	110 mm
Depth	75 mm
Transmission error, max.	$\leq 0.15 \%$ (of measured value)
Transmission error, typical	0.1 %
Maximum temperature coefficient	0.015 %/K

Temperature coefficient, typical	0.01 %/K
Alignment zero	± 25 %
Alignment span	± 25 %
Status display	LC display
Operating elements	Membrane keypad with 3 keys and LCD display
Protective circuitry	Transient protection
	Polarity protection
Ambient temperature (operation)	-20 °C ... 65 °C (for specified data)
Color	green
Housing material	ASA-PC (V0)
Mounting position	Any
Conformity	CE compliant
UL, USA / Canada	Class I, Div. 2, Groups A, B, C, D or non-hazardous locations
GL	Germanischer Lloyd

Certificates / Approvals



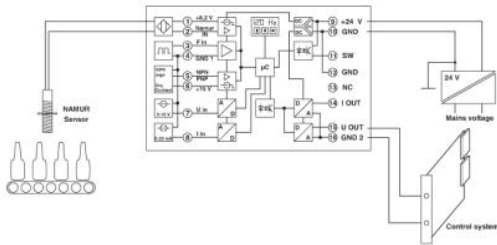
Certification	CUL, GL, GOST, UL
Certification Ex:	CUL-EX LIS, UL-EX LIS

Accessories

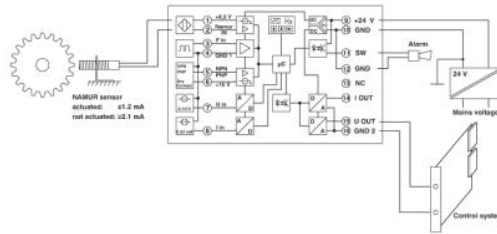
Item	Designation	Description
Cable/conductor		
2881078	CM-KBL-RS232/USB	Connecting cable D-9-SUB to USB, with adapter D-9-SUB to D-25-SUB.
2814388	MCR-TTL-RS232-E	Software adapter cable (Stereo jack connector/SUB-D 25-pos.), 1.2 m length, for programming MCR-T-..., MCR-S-... and MCR-f-... modules
General		
2814799	MCR/PI-CONF-WIN	PI/MCR configuration software, for programming the PI/Ex-RTD..., PI/Ex-THC..., MCR-T-..., MCR-PSP-..., MCR-f... and MCR-s...modules

Diagrams/Drawings

Connection diagram

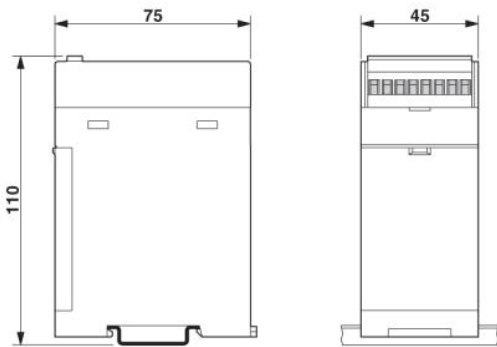


Application example: Flow measurement

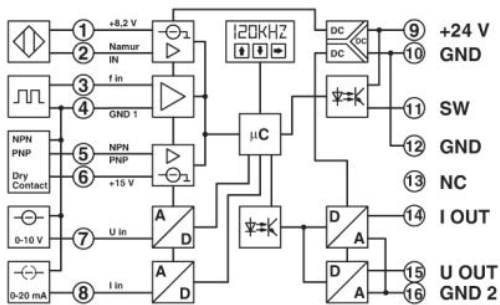


Application example: Measurement of revolutions of a drive

Dimensioned drawing



Circuit diagram



Approbationslogos (EX-Bereich)



Address

PHOENIX CONTACT Inc., USA
586 Fulling Mill Road
Middletown, PA 17057, USA
Phone (800) 888-7388
Fax (717) 944-1625
<http://www.phoenixcon.com>



© 2010 Phoenix Contact
Technical modifications reserved;