

阅读申明

- 1.本站收集的数据手册和产品资料都来自互联网，版权归原作者所有。如读者和版权方有任何异议请及时告之，我们将妥善解决。
- 2.本站提供的中文数据手册是英文数据手册的中文翻译，其目的是协助用户阅读，该译文无法自动跟随原稿更新，同时也可能存在翻译上的不当。建议读者以英文原稿为参考以便获得更精准的信息。
- 3.本站提供的产品资料，来自厂商的技术支持或者使用者的心得体会等，其内容可能存在描述上的差异，建议读者做出适当判断。
- 4.如需与我们联系，请发邮件到marketing@iczoom.com，主题请标有“数据手册”字样。

Read Statement

1. The datasheets and other product information on the site are all from network reference or other public materials, and the copyright belongs to the original author and original published source. If readers and copyright owners have any objections, please contact us and we will deal with it in a timely manner.
2. The Chinese datasheets provided on the website is a Chinese translation of the English datasheets. Its purpose is for reader's learning exchange only and do not involve commercial purposes. The translation cannot be automatically updated with the original manuscript, and there may also be improper translations. Readers are advised to use the English manuscript as a reference for more accurate information.
3. All product information provided on the website refer to solutions from manufacturers' technical support or users the contents may have differences in description, and readers are advised to take the original article as the standard.
4. If you have any questions, please contact us at marketing@iczoom.com and mark the subject with "Datasheets" .

THE DRAWING FOR
YOUR REFERENCE

SPECIFICATIONS
OF
VIBRATION DETECTION SWITCH

MODEL NAME : D7H-B 2

OUTLINE DRAWING NO. 3 3 5 2 5 3 6 - 7

WRITTEN: Y. Kamihashi Aug. 24. 2001

CHECKED: _____

APPROVED: H. Arai Aug. 24. 2001

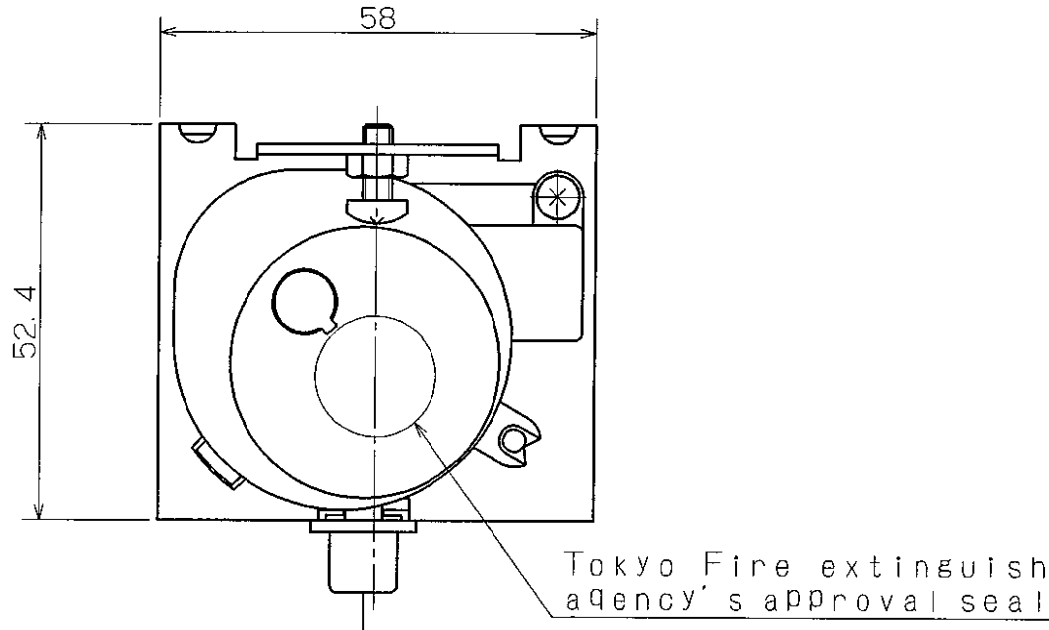
OMRON CORPORATION

- THE DRAWING FOR
YOUR REFERENCE**
1. Tokyo Fire Extinguish Agency's approval number 96L-1774
 2. Outline dimension Outline drawings No.3352536-7
 3. Operating method Steal ball
 4. Acceleration 100 to 170 gal (Frequency 0.3, 0.5, 0.7sec.)
 5. Electrical rating 0.1A 125VAC($\cos \phi = 1.0$)
0.1A 30VDC
 6. Dielectric strength 1,500VAC , 50/60Hz, 1 minute between live metal parts and non-live metal parts.
 7. Insulation resistance 50M Ω min. between live metal parts and non-live metal parts (500VDC megger)
 8. Vibration resistance Double amplitude 1.5mm , Frequency 10 to 55 Hz, X,Y,Z each direction 2 hours, Total 6 hours, with steal ball being locked
 9. Shock resistance 294 m/s² (30G)
 10. Moisture resistance 92.5 \pm 2.5%RH,40 $^{\circ}$ C after 48 hours testing, leaving the samples for 30 minutes with normal temperature and moisture, then the insulation resistance shall be over 5M Ω .
 11. Operating temperature -10 to 70 $^{\circ}$ C
 12. Operating humidity 45 to 85 % RH
 13. Warranty period and coverage
 - (1) Warranty period One year from the date of delivery
 - (2) Warranty coverage If this product is determined to be defective without customer's any misuse during the warranty period, we will replace or repair a defective product or parts. However warranty is done with delivery unit and does not include replacing fee such as labor cost, damage compensation.
 14. Specification validity

this specification is invalid unless we receive your approval or order placement within one year since submission of this specification.

If there is no claim from both sides after your approval or order placement, validity of specification will be renewed every one year.

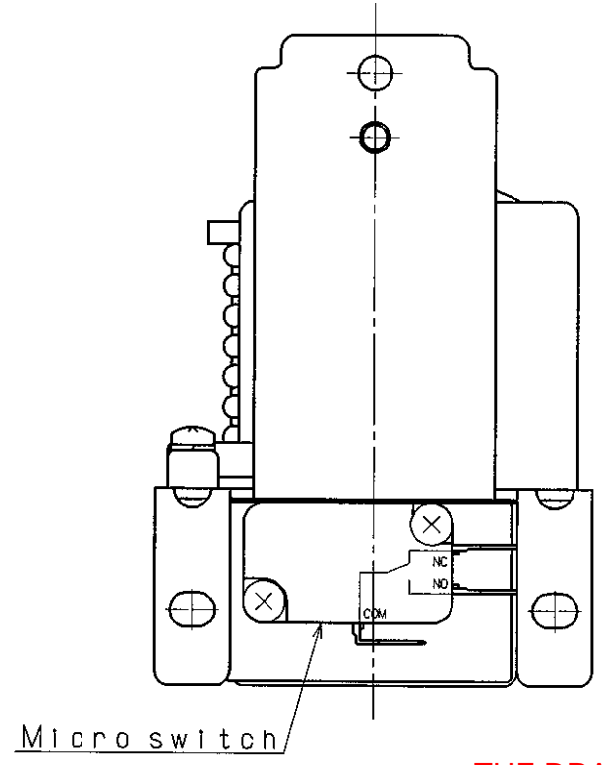
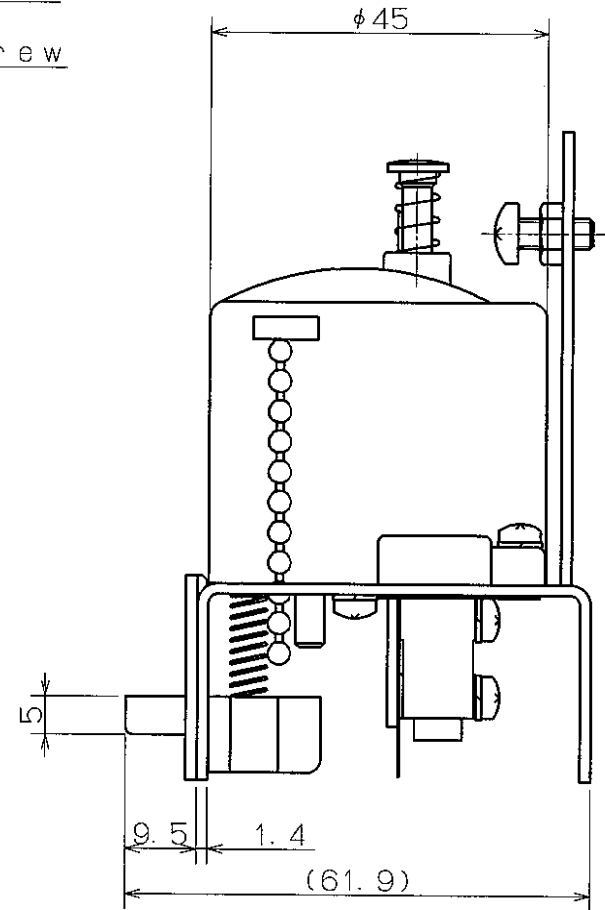
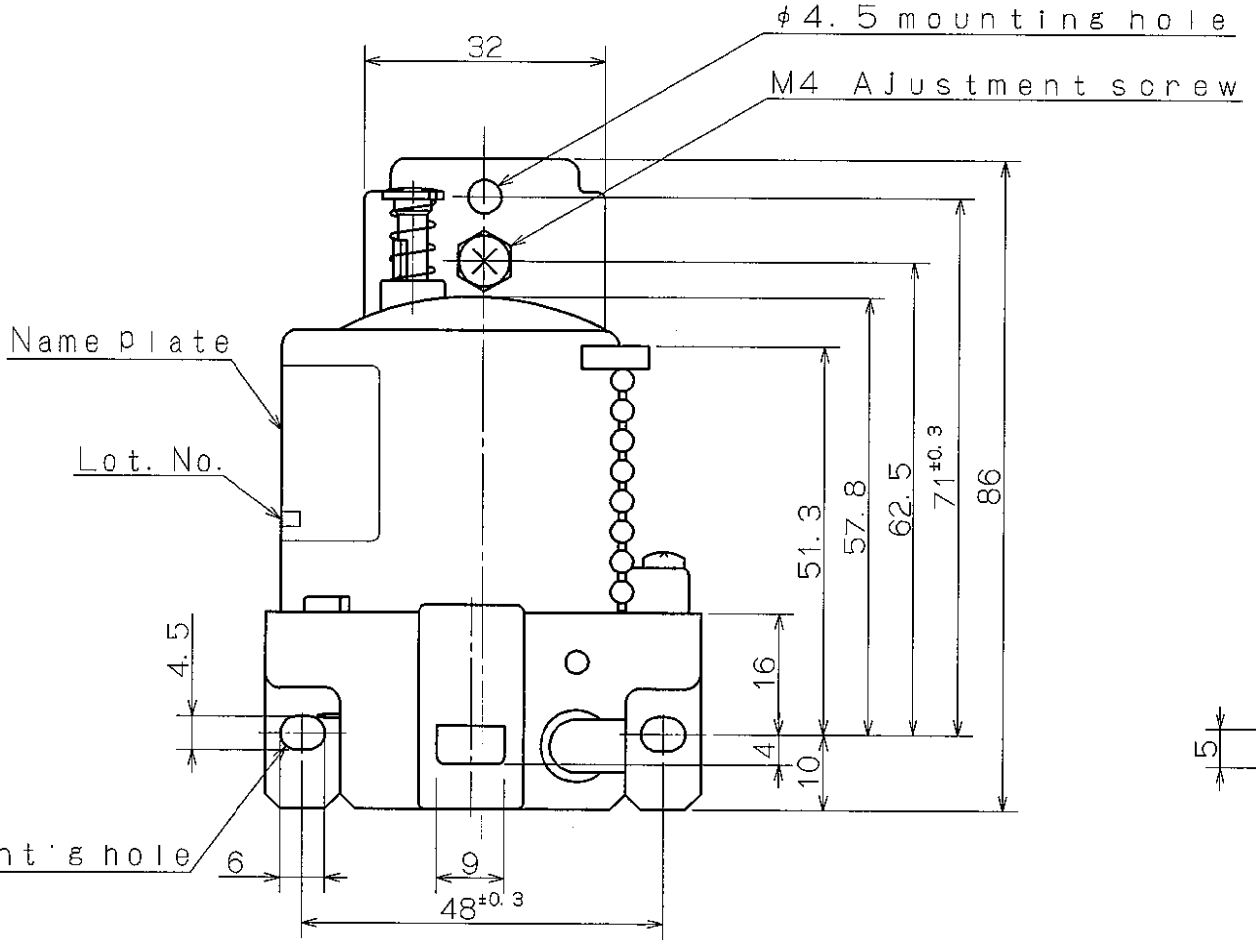
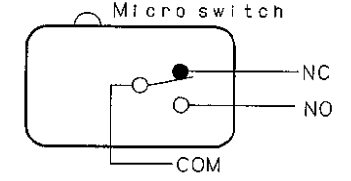
A
B
C
D
E
F



NOTE 1. Operating characteristics

Operating method	Steel ball
Acceleration	100~170gal
Frequency	0.3~0.7sec
Rating	0.1A.30VDC COSφ=1

- Unspecified tolerance on the drawing is ±0.8mm
- Do not apply external force at 19.6N or over to lateral direction of the terminal and at 78.4N or over to tensile direction of it.
- After soldering wires to the terminals, do not hung the product with the wires.
- Terminal configuration



THE DRAWING FOR YOUR REFERENCE

					MATERIAL			SCALE 1:1	THE MODEL D7H-B2 VIBRATION DETECTION SWITCH OUTLINE DRAWING
					FINISH				
					TOLERANCES UNLESS SPECIFIED	DESIGNED Y. Kamihashi Aug. 24, 2001	CHECKED	APPROVED H. Arai Aug. 24, 2001	3RD ANGLE
SYM	DATE	E/C	CONTENTS	E/C NO.	SIGN				SHEET
									DRWG NO. 3352536-7 A
									DESIGNED FOR