

## 阅读申明

- 1.本站收集的数据手册和产品资料都来自互联网，版权归原作者所有。如读者和版权方有任何异议请及时告之，我们将妥善解决。
- 2.本站提供的中文数据手册是英文数据手册的中文翻译，其目的是协助用户阅读，该译文无法自动跟随原稿更新，同时也可能存在翻译上的不当。建议读者以英文原稿为参考以便获得更精准的信息。
- 3.本站提供的产品资料，来自厂商的技术支持或者使用者的心得体会等，其内容可能存在描述上的差异，建议读者做出适当判断。
- 4.如需与我们联系，请发邮件到marketing@iczoom.com，主题请标有“数据手册”字样。

## Read Statement

1. The datasheets and other product information on the site are all from network reference or other public materials, and the copyright belongs to the original author and original published source. If readers and copyright owners have any objections, please contact us and we will deal with it in a timely manner.
2. The Chinese datasheets provided on the website is a Chinese translation of the English datasheets. Its purpose is for reader's learning exchange only and do not involve commercial purposes. The translation cannot be automatically updated with the original manuscript, and there may also be improper translations. Readers are advised to use the English manuscript as a reference for more accurate information.
3. All product information provided on the website refer to solutions from manufacturers' technical support or users the contents may have differences in description, and readers are advised to take the original article as the standard.
4. If you have any questions, please contact us at marketing@iczoom.com and mark the subject with "Datasheets" .

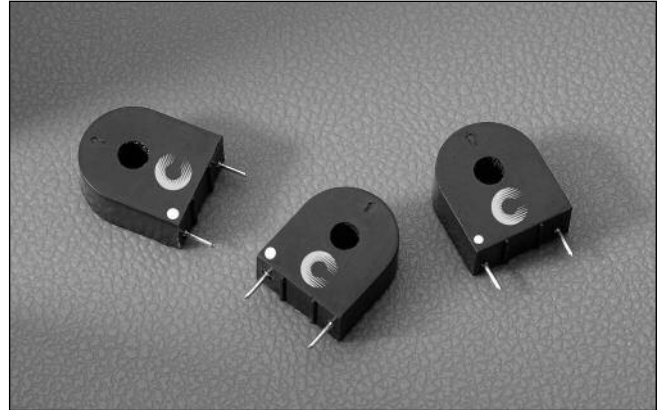
### Description

- Encapsulated Through Hole Design
- Isolation between Pri and Sec of 3750 Volts
- Materials meet UL Class B



### Applications

- Feedback elements linking the output and pulse control circuitry
- Switch Mode Power Supplies: PFC, Half-bridge, Full-bridge, Forward
- Off-Line
- Telecom

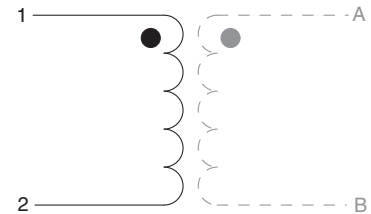
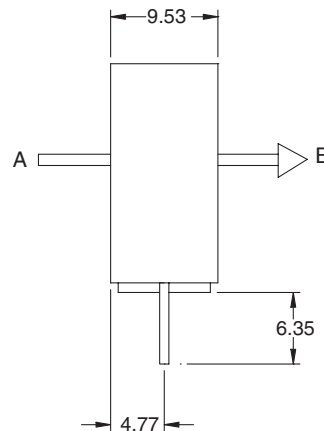
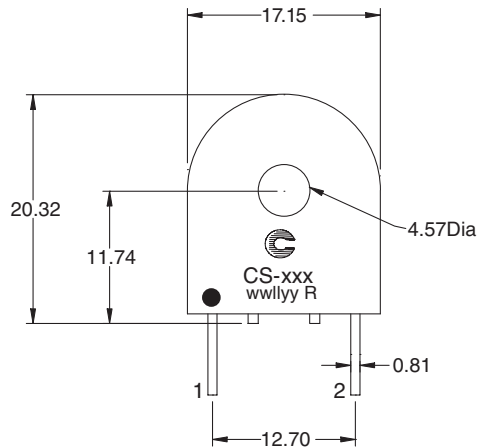


Part Number	Inductance (mH)	Turns +/-1%	Current Range AMPS	DCR ( $\Omega$ ) +/-15% @ 20°C	Recommended Terminating Resistor	Frequency Range
CS-1050-R	5.6	50	1-10	0.60	50 ohms	20k-200kHz
CS-1100-R	22.4	100	2-20	1.3	100 ohms	20k-200kHz
CS-1200-R	89.7	200	4-40	3.3	200 ohms	20k-100kHz

- 1) Test Parameters: 10kHz, 0.25 Vrms
- 2) Dimensions in Millimeters
- 3) Output Voltage is 1v/A with the terminating resistor and is linear over the specified range

- 4) Hipot is 3750 Volts from winding to test wire A-B
- 5) Materials meet UL Class B
- 6) Polarity Indicator Dot: (This lead is in phase with lead A of conductor A-B)

### Mechanical Diagrams



xxx = Inductance value  
wwllyy = Date code R = Revision level

This bulletin is intended to present product design solutions and technical information that will help the end user with design applications. Cooper Electronic Technologies reserves the right, without notice, to change design or construction of any products and to discontinue or limit distribution of any products. Cooper Electronic Technologies also reserves the right to change or update, without notice, any technical information contained in this bulletin. Once a product has been selected, it should be tested by the user in all possible applications.

Life Support Policy: Cooper Electronic Technologies does not authorize the use of any of its products for use in life support devices or systems without the express written approval of an officer of the Company. Life support systems are devices which support or sustain life, and whose failure to perform, when properly used in accordance with instructions for use provided in the labeling, can be reasonably expected to result in significant injury to the user.