

阅读申明

- 1.本站收集的数据手册和产品资料都来自互联网，版权归原作者所有。如读者和版权方有任何异议请及时告之，我们将妥善解决。
- 2.本站提供的中文数据手册是英文数据手册的中文翻译，其目的是协助用户阅读，该译文无法自动跟随原稿更新，同时也可能存在翻译上的不当。建议读者以英文原稿为参考以便获得更精准的信息。
- 3.本站提供的产品资料，来自厂商的技术支持或者使用者的心得体会等，其内容可能存在描述上的差异，建议读者做出适当判断。
- 4.如需与我们联系，请发邮件到marketing@iczoom.com，主题请标有“数据手册”字样。

Read Statement

1. The datasheets and other product information on the site are all from network reference or other public materials, and the copyright belongs to the original author and original published source. If readers and copyright owners have any objections, please contact us and we will deal with it in a timely manner.
2. The Chinese datasheets provided on the website is a Chinese translation of the English datasheets. Its purpose is for reader's learning exchange only and do not involve commercial purposes. The translation cannot be automatically updated with the original manuscript, and there may also be improper translations. Readers are advised to use the English manuscript as a reference for more accurate information.
3. All product information provided on the website refer to solutions from manufacturers' technical support or users the contents may have differences in description, and readers are advised to take the original article as the standard.
4. If you have any questions, please contact us at marketing@iczoom.com and mark the subject with "Datasheets" .

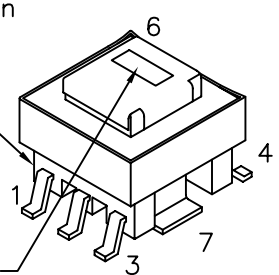
SMT Current Sense Transformer for Switching power supply application

A. Electrical Specifications (@ 25°C)

1. Operating Frequency; 250kHz and above
2. Rated Primary Current; 6Arms
3. Dielectric Strength; 500Vrms 1 second @ Pri to Sec
4. Operating Temperature; -40°C to +85°C
5. Specification;

White dot
indicates
pin 1

Part Number



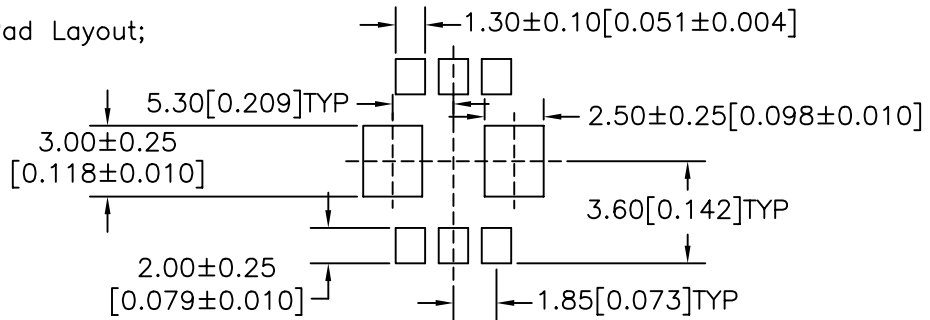
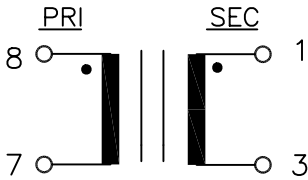
MODEL NUMBER

TCS SERIES

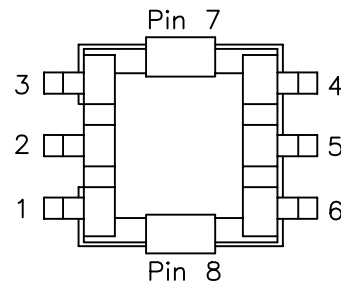
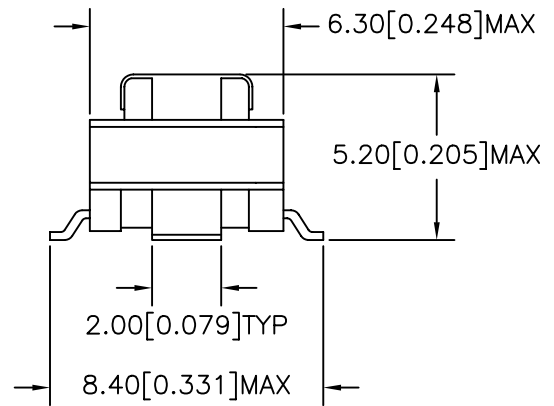
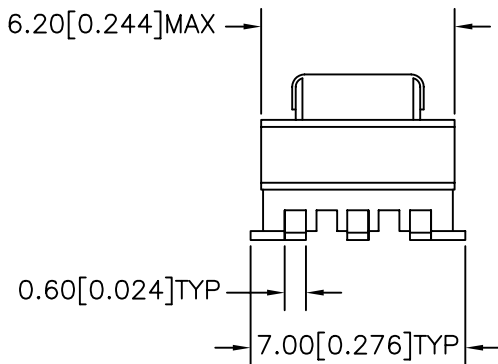
Tamura Part No	Turns Ratio (7-8):(1-3)	Inductance @ 10kHz, 0.1Vrms (1-3) (μH) MIN	DCR		Terminating Resistor ΩMax	Marking
			(7-8) mΩ MAX	(1-3) ΩMAX		
TCS-01	1:20	80	6	0.55	20	C01
TCS-02	1:30	180	6	0.87	30	C02
TCS-03	1:40	320	6	1.14	40	C03
TCS-04	1:50	500	6	1.50	50	C04
TCS-05	1:60	720	6	1.75	60	C05
TCS-06	1:70	980	6	4.75	70	C06
TCS-07	1:100	2000	6	5.90	100	C07
TCS-08	1:125	3000	6	7.70	125	C08

6. Marking; Part Number (Per above table)

C. Schematic and Suggested Pad Layout;



D. Mechanical Specifications



PREPARED BY:

D. Rund
ENGINEER:
M. Pitchai
QUALITY CONTROL:
T. Clem
APPROVED:
D. Kelley

DWG CONTROL NO. P-A1-13385
ACAD\MISC\A1133851.DWG
REV PRE
CONTENTS OF THIS DRAWING ARE SUBJECT TO CHANGE WITHOUT PRIOR NOTICE

SMT CURRENT SENSE TRANSFORMER
TAMURA CORPORATION OF AMERICA
43352 BUSINESS PARK DRIVE, TEMECULA, CA. 92590-6624
(909) 699-1270 FAX 9096769482

TCS SERIES
MODEL SPECIFICATION
DIM: mm(ln) SCL: 6/1 SH: 1 OF 1

PROPRIETARY NOTICE: THIS DRAWING PRINT OR DOCUMENT AND SUBJECT MATTER DISCLOSED HEREIN ARE PROPRIETARY ITEMS TO WHICH TAMURA RETAINS THE EXCLUSIVE RIGHT OF DISSEMINATION, REPRODUCTION, MANUFACTURE AND SALE. THIS DRAWING, PRINT OR DOCUMENT IS SUBMITTED IN CONFIDENCE FOR CONSIDERATION BY THE RECIPIENT ALONE UNLESS PERMISSION FOR FURTHER DISCLOSURE IS EXPRESSLY GRANTED IN WRITING.