

## 阅读申明

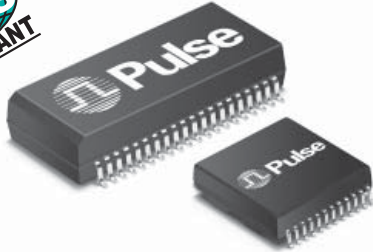
- 1.本站收集的数据手册和产品资料都来自互联网，版权归原作者所有。如读者和版权方有任何异议请及时告之，我们将妥善解决。
- 2.本站提供的中文数据手册是英文数据手册的中文翻译，其目的是协助用户阅读，该译文无法自动跟随原稿更新，同时也可能存在翻译上的不当。建议读者以英文原稿为参考以便获得更精准的信息。
- 3.本站提供的产品资料，来自厂商的技术支持或者使用者的心得体会等，其内容可能存在描述上的差异，建议读者做出适当判断。
- 4.如需与我们联系，请发邮件到marketing@iczoom.com，主题请标有“数据手册”字样。

## Read Statement

1. The datasheets and other product information on the site are all from network reference or other public materials, and the copyright belongs to the original author and original published source. If readers and copyright owners have any objections, please contact us and we will deal with it in a timely manner.
2. The Chinese datasheets provided on the website is a Chinese translation of the English datasheets. Its purpose is for reader's learning exchange only and do not involve commercial purposes. The translation cannot be automatically updated with the original manuscript, and there may also be improper translations. Readers are advised to use the English manuscript as a reference for more accurate information.
3. All product information provided on the website refer to solutions from manufacturers' technical support or users the contents may have differences in description, and readers are advised to take the original article as the standard.
4. If you have any questions, please contact us at marketing@iczoom.com and mark the subject with "Datasheets" .

# 10/100BASE-TX DUAL PORT TRANSFORMER MODULES

For Use with Transceivers Requiring 1:1 Transmit and Receive Turns Ratios



- RoHS reflow temperature rating 245°C
- Meets IEEE 802.3 specification
- Some models offer AutoMDIX capability

## Electrical Specifications @ 25°C — Operating Temperature 0°C to 70°C

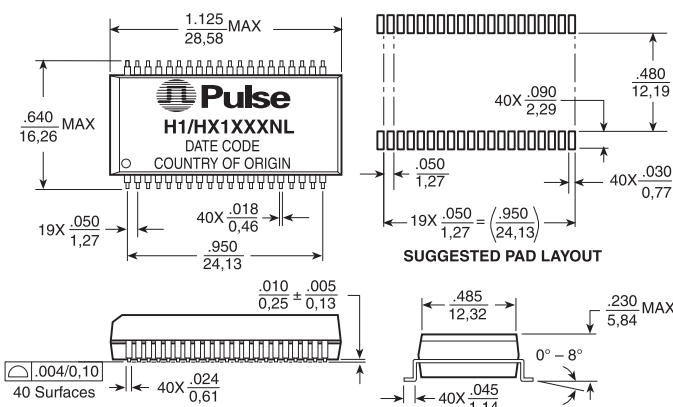
Part Number <sup>1</sup>	Insertion Loss (dB TYP)	Return Loss (dB TYP)					Crosstalk (dB TYP)				Differential to Common Mode Rejection (dB MIN)	
		0.1-100 MHz	2-30 MHz	40 MHz	50 MHz	60-80 MHz	1 MHz	30 MHz	60 MHz	100 MHz	1-60 MHz	60-200 MHz
H1027NL <sup>2d</sup>	-0.5	-21	-17	-14.5	-12	-65	-55	-45	-35	-53	-40	
H1028NL <sup>2d</sup>	-0.5	-21	-17	-14.5	-12	-65	-55	-45	-35	-45	-35	
H1049NL <sup>2d</sup>	-0.5	-21	-17	-14.5	-12	-65	-55	-45	-35	-45	-35	
H1200NL <sup>2d</sup>	-1.0	-16	-14.4	-13	-12	-50	-45	-40	-35	-37	-33	
H1174NL <sup>2a</sup>	-1.2	-18	-16	-14	-12	-60	-45	-40	-35	-45	-35	
H1244NL <sup>2a, 4</sup>	-1.2	-18	-16	-14	-12	-60	-45	-40	-35	-45	-35	
H1270NL <sup>2a, 4</sup>	-1.2	-18	-16	-14	-12	-60	-45	-40	-35	-45	-35	
HX1294NL <sup>2a, 3, 4</sup>	-1.2	-16	-14	-13.5	-10	-55	-45	-40	-35	-30	-20	

- All products meet input/output breakdown (HiPot) of 1500 Vrms.
- MSL = Moisture Sensitivity Level a=1, b=2, c=3, d=4

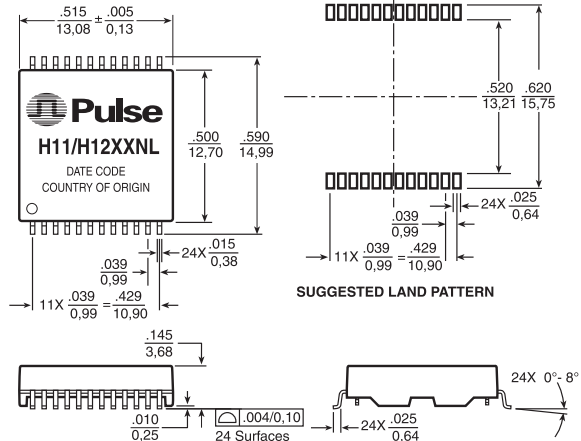
- Operating Temperature -40°C to +85°C
- Suitable for AutoMDIX applications

## Mechanicals

### H1XXXNL



### H1174NL, H1244NL, H1270NL



Dimensions:  $\frac{\text{Inches}}{\text{mm}}$  Unless otherwise specified, all tolerances are  $\pm \frac{.010}{0.25}$

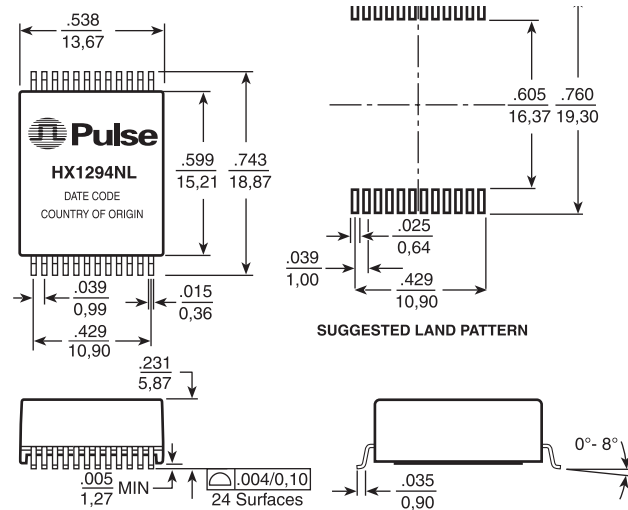
# 10/100BASE-TX DUAL PORT TRANSFORMER MODULES



For Use with Transceivers Requiring  
1:1 Transmit and Receive Turns Ratios

## Mechanicals (continued)

### HX1294NL



Dimensions:  $\frac{\text{Inches}}{\text{mm}}$

Unless otherwise specified,  
all tolerances are  $\pm \frac{.010}{0,25}$

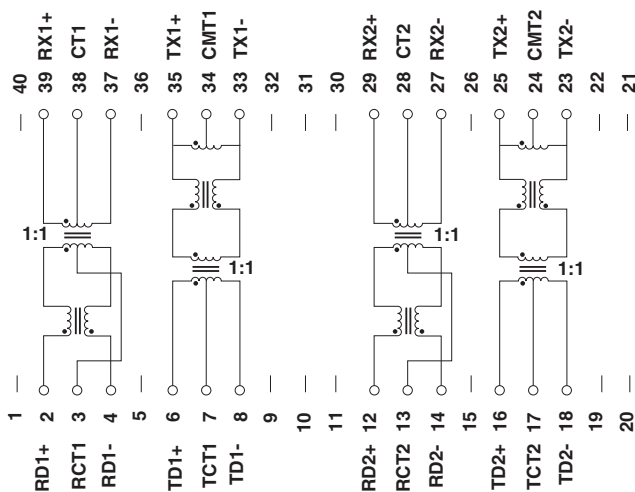
Weight . . . . . 1.6 grams

Tape & Reel . . . . . 300/reel

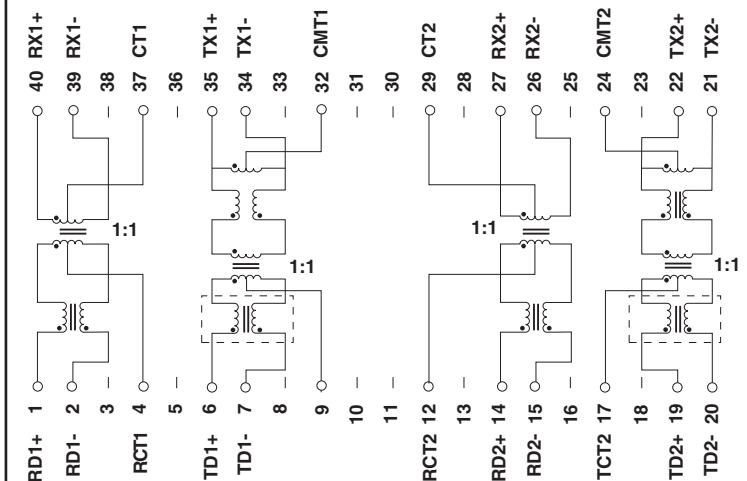
Tube . . . . . 35/tube

## Schematics

### H1049NL



### H1027NL, H1028NL



NOTE: H1027 has input common mode choke on pins 6-7 and pins 19-20.  
H1028 does not have the additional choke.

**Dual Port Solutions:** The H1027NL, H1028NL, and H1049NL, are designed to support two RJ-45 connectors. The H1027NL and the H1028NL have the same pinout. The H1027NL has an additional common mode choke on both transmit channels. The H1049NL offers a different pinout for design flexibility.

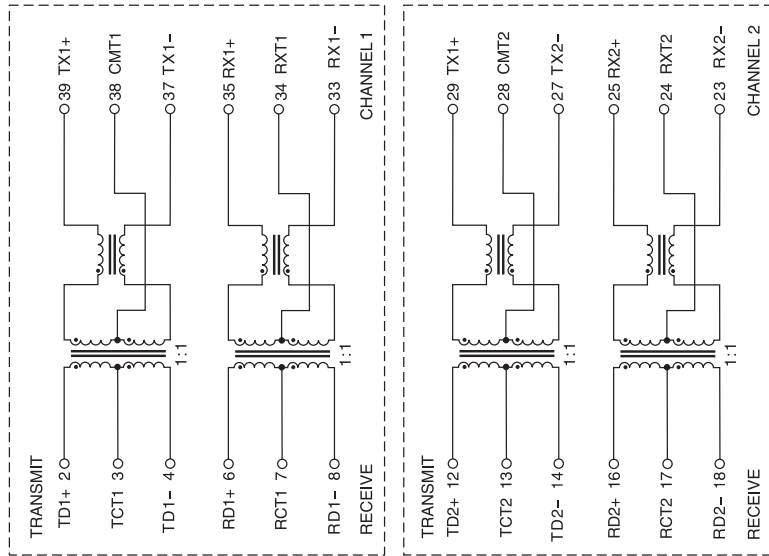
# 10/100BASE-TX DUAL PORT TRANSFORMER MODULES

For Use with Transceivers Requiring  
1:1 Transmit and Receive Turns Ratios

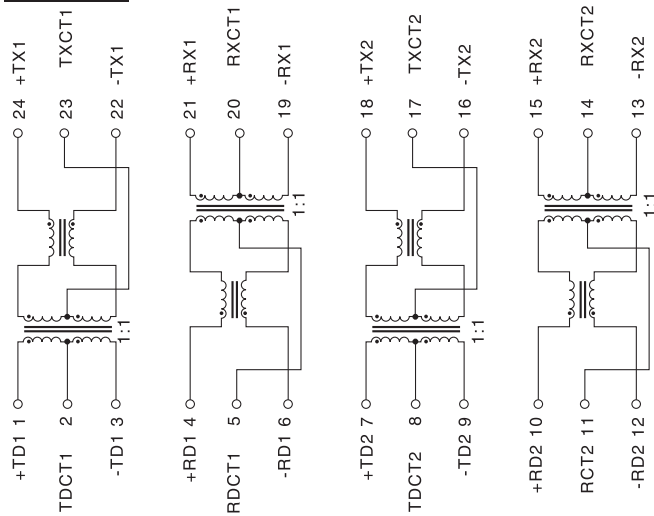


## Schematics (continued)

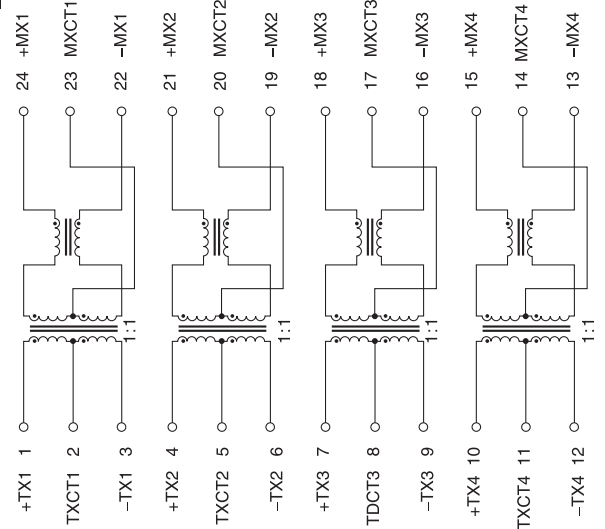
### H1200NL



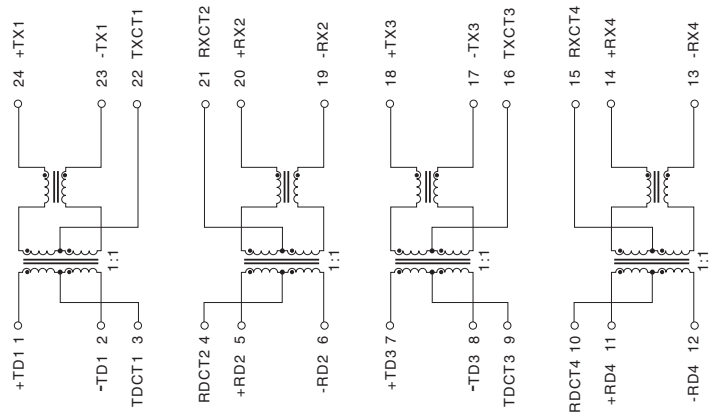
### H1174NL



### H1244NL



### H1270NL, HX1294NL



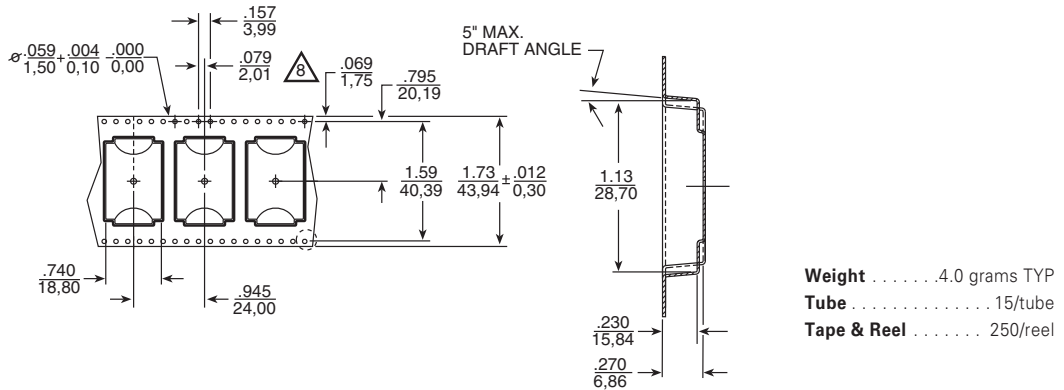
# 10/100BASE-TX DUAL PORT TRANSFORMER MODULES

For Use with Transceivers Requiring  
1:1 Transmit and Receive Turns Ratios

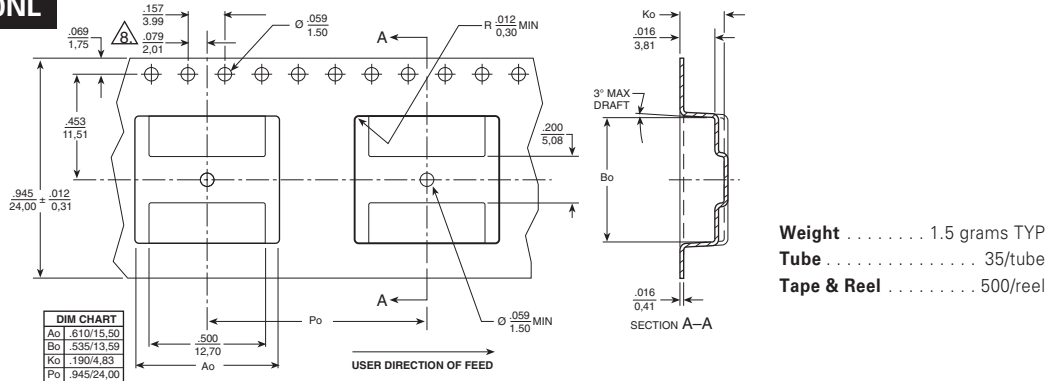


## Tape & Reel Specifications

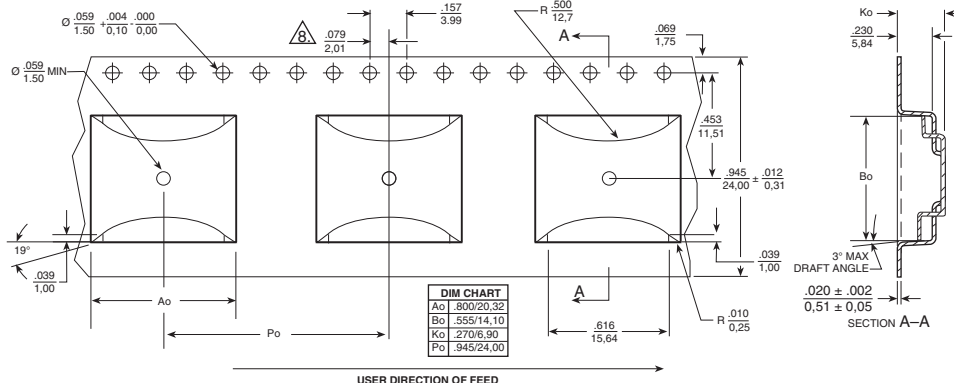
### H1XXXNL



### H1174NL, H1244NL, H1270NL



### HX1294NL



## For More Information:

**Pulse Worldwide Headquarters**  
12220 World Trade Dr.  
San Diego, CA 92128  
U.S.A.

**Pulse Europe**  
Einsteinstrasse 1  
D-71083 Herrenberg  
Germany

**Pulse China Headquarters**  
B402, Shenzhen Academy of Aerospace Technology Bldg.  
10th Kejinan Rd.  
Hwigh-Tech Zone  
Nanshan District  
Shenzen, PR China 518057

**Pulse North China**  
Room 2704/2705  
Super Ocean Finance Ctr.  
2067 Yan An Rd. West  
Shanghai 200336  
China

**Pulse South Asia**  
135 Joo Seng Rd.  
#03-02  
PM Industrial Bldg.  
Singapore 368363

**Pulse North Asia**  
No. 26, Kao Ching Rd.  
Yang Mei Chen  
Taoyuan Hsien  
Taiwan  
R. O. C.

**www.pulseeng.com** Tel: 49 7032 7806 0  
Tel: 858 674 8100 Fax: 49 7032 7806 135  
Fax: 858 674 8262

TEL: 86 755 33966678  
FAX: 86 755 33966700

Tel: 86 21 62787060  
Fax: 86 2162786973

TEL: 65 6287 8998  
FAX: 65 6280 0080

Tel: 886 3 4643715  
Fax: 886 3 4641911

Performance warranty of products offered on this data sheet is limited to the parameters specified. Data is subject to change without notice. Other brand and product names mentioned herein may be trademarks or registered trademarks of their respective owners.

© Copyright, 2009. Pulse Engineering, Inc. All rights reserved.

[www.pulseeng.com](http://www.pulseeng.com)