

阅读申明

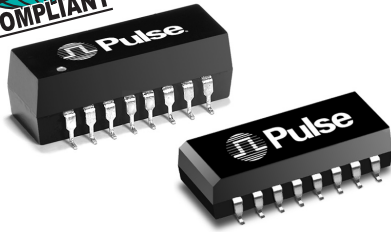
- 1.本站收集的数据手册和产品资料都来自互联网，版权归原作者所有。如读者和版权方有任何异议请及时告之，我们将妥善解决。
- 2.本站提供的中文数据手册是英文数据手册的中文翻译，其目的是协助用户阅读，该译文无法自动跟随原稿更新，同时也可能存在翻译上的不当。建议读者以英文原稿为参考以便获得更精准的信息。
- 3.本站提供的产品资料，来自厂商的技术支持或者使用者的心得体会等，其内容可能存在描述上的差异，建议读者做出适当判断。
- 4.如需与我们联系，请发邮件到marketing@iczoom.com，主题请标有“数据手册”字样。

Read Statement

1. The datasheets and other product information on the site are all from network reference or other public materials, and the copyright belongs to the original author and original published source. If readers and copyright owners have any objections, please contact us and we will deal with it in a timely manner.
2. The Chinese datasheets provided on the website is a Chinese translation of the English datasheets. Its purpose is for reader's learning exchange only and do not involve commercial purposes. The translation cannot be automatically updated with the original manuscript, and there may also be improper translations. Readers are advised to use the English manuscript as a reference for more accurate information.
3. All product information provided on the website refer to solutions from manufacturers' technical support or users the contents may have differences in description, and readers are advised to take the original article as the standard.
4. If you have any questions, please contact us at marketing@iczoom.com and mark the subject with "Datasheets" .

10/100 BASE-T SINGLE PORT TRANSFORMER MODULES

With 1:1 Transmit Turns Ratios



- RoHS-5 peak reflow temperature rating: 235°C
- RoHS-6 peak reflow temperature rating: 245°C
- Compatible with Broadcom, Intel, Micrel, National Semiconductor, ICS, and TDK Transceivers
- Meets IEEE 802.3 specification

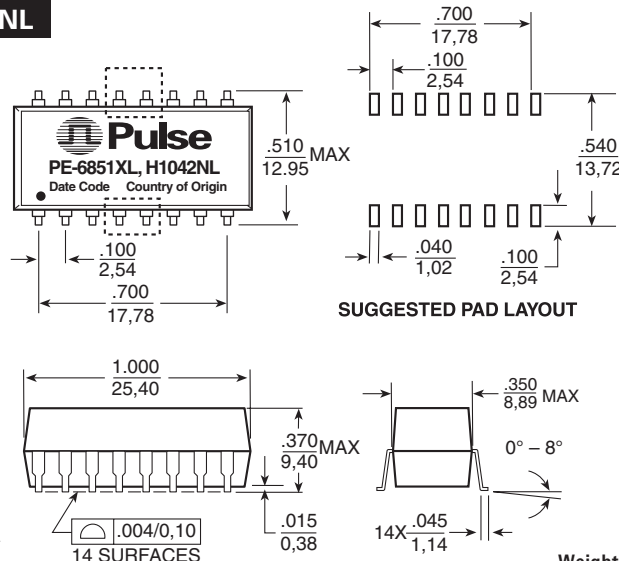
Electrical Specifications @ 25°C — Operating Temperature 0°C to 70°C

RoHS ⁶ Compliant Part Number	RoHS ⁵ Compliant Part Number	Insertion Loss (dB MAX)	Return Loss (dB MIN @ 100 Ω)				Differential to Common Mode Rejection (dB MIN)			Crosstalk (dB TYP)			Hipot (Vrms MIN)
			0.1-100 MHz	1-30 MHz	40 MHz	50 MHz	60-80 MHz	30 MHz	60 MHz	100 MHz	30 MHz	60 MHz	
H1012NL ^{4d}	H1012	-1.0	-20	-20	-18	-14	-42	-36	-33	-50	-40	-40	1500
H1019NL ^{4c}	H1019	-1.0	-20	-18	-18	-14	-45	-40	-35	-45	-40	-35	1500
H1042NL ^{4c}	—	-1.0	-16	-13.5	-11.5	-10	-45	-40	-35	-40	-38	-35	1500
H1086NL ^{4c}	H1086 ¹	-1.0	-22	-20	-18	-12	-45	-40	-35	-50	-40	-40	1500
H1089NL ^{4c}	H1089	-1.0	-22	-20	-18	-12	-42	-38	-32	-50	-40	-40	1500
H1117NL ^{4d}	H1117	-1.0	-22	-20	-18	-12	-45	-40	-35	-50	-40	-40	1500
H1138NL ^{4a}	H1138	-0.8	-18	-16	-14	-12	42	-37	-33	-50	-40	-40	1500
HX1148NL ^{2, 4d}	HX1148 ²	-1.5	-18	-13.5	-11.5	-10	-42	-37	-33	-50	-40	-40	1500
HX1178NL ^{2, 4d}	HX1178 ²	-1.5	-18	-13.5	-11.5	-10	-42	-37	-33	-50	-40	-40	1500
PE-68515LNL ^{4d}	PE-68515L	-1.0	-18	-18	-16	-12	-50	-45	-40	-55	-50	-50	1500
PE-68517LNL ^{4d}	PE-68517L	-1.0	-18	-16	-15	-12	-45	-40	-35	-50	-40	-40	1500
H1338NL ^{4a}	H1338	-1.1	-18	-16	-14	-12	-42	-37	-35	-40	-40	-35	1800

- Rise time optimized for National's DP83843.
- Operating temperature: -40°+ 85°C.
- When ordering Tape & Reel packaging, add a "T" suffix to the end of the part number, e.g. H1012T
- MSL = Moisture Sensitivity Level: a = 1, b = 2, c = 3, d = 4.
- RoHS-5: Product does not contain 5 out of the 6 banned substances specified in the RoHS directive (product contains lead in applications considered solder).
- RoHS-6: Product does not contain 5 out of the 6 banned substances specified in the RoHS directive. Some internal connections may contain lead in high-temperature solder (solder alloys containing more than 85% lead).

Mechanicals

PE-68515L, PE-68517L, H1042NL



NOTE: The PE-68515L pins 4 and 13 are removed.
The PE-68517L pins 5 and 12 are removed.

Dimensions: $\frac{\text{Inches}}{\text{mm}}$

Unless otherwise specified, all tolerances are $\pm \frac{.010}{0.25}$

Weight 3.5 grams
Tube 20/tube
Tape & Reel 160/reel

10/100 BASE-T SINGLE PORT TRANSFORMER MODULES

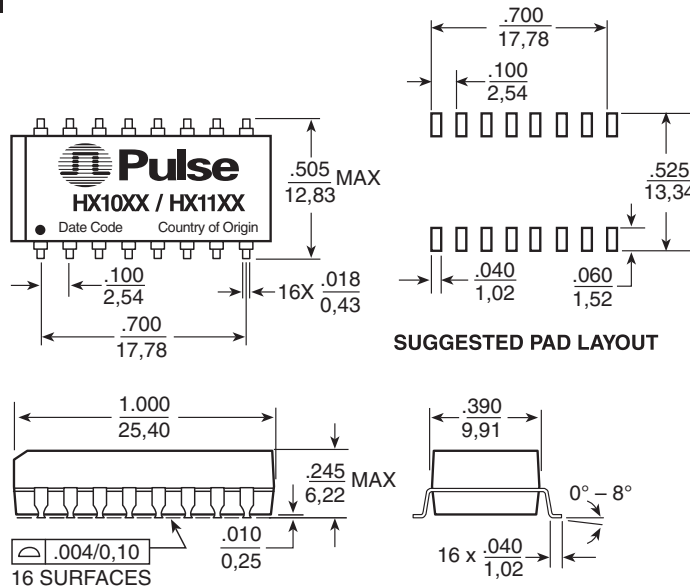
With 1:1 Transmit Turns Ratios



Mechanicals (continued)

H1012, H1019, H1086, H1089, H1117,

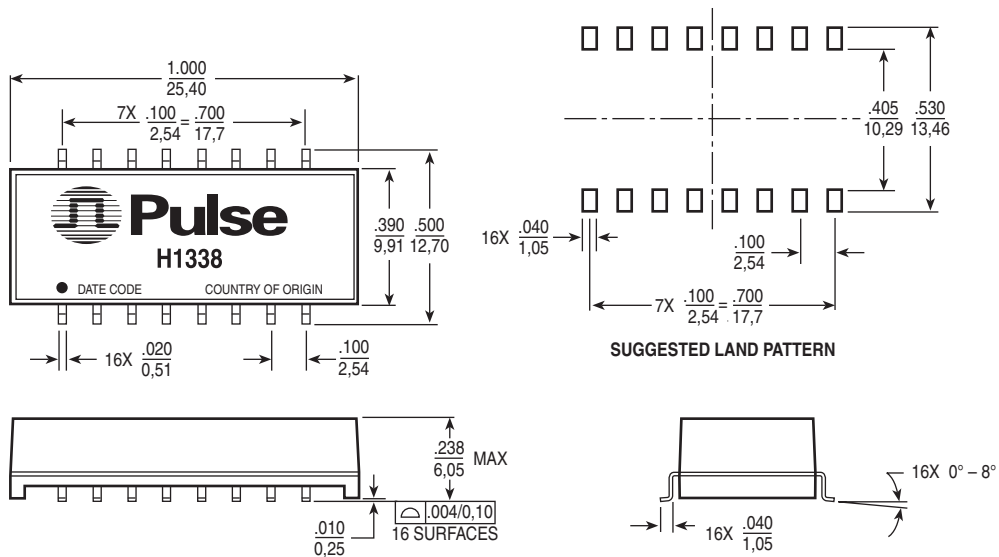
H1138, HX1148, HX1178



Dimensions: $\frac{\text{Inches}}{\text{mm}}$ Unless otherwise specified, all tolerances are $\pm \frac{.010}{0,25}$

Weight 3.0 grams
 Tube 20/tube
 Tape & Reel 300/reel

H1338



Dimensions: $\frac{\text{Inches}}{\text{mm}}$ Unless otherwise specified, all tolerances are $\pm \frac{.010}{0,25}$

Weight 3.0 grams
 Tube 20/tube
 Tape & Reel 300/reel

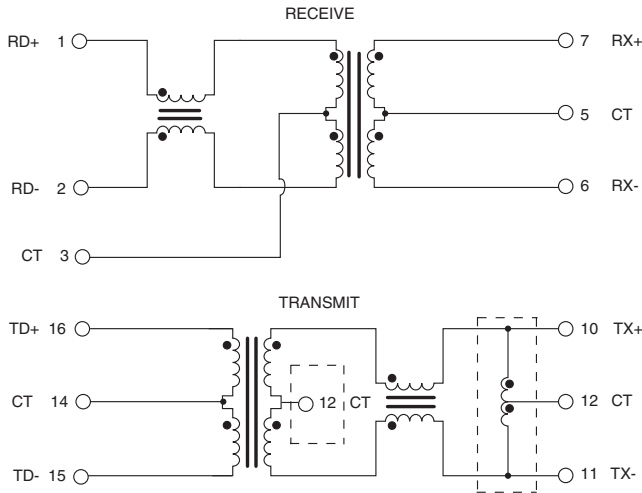
10/100 BASE-T SINGLE PORT TRANSFORMER MODULES

With 1:1 Transmit Turns Ratios



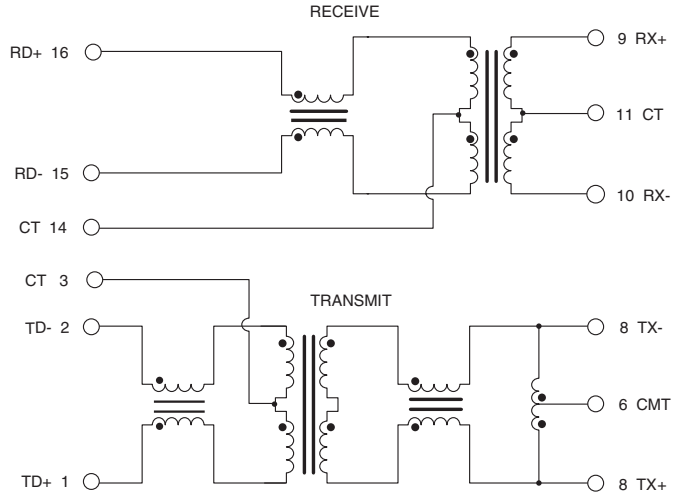
Schematics

PE-68515L, H1012, H1086, H1089, HX1148, H1138

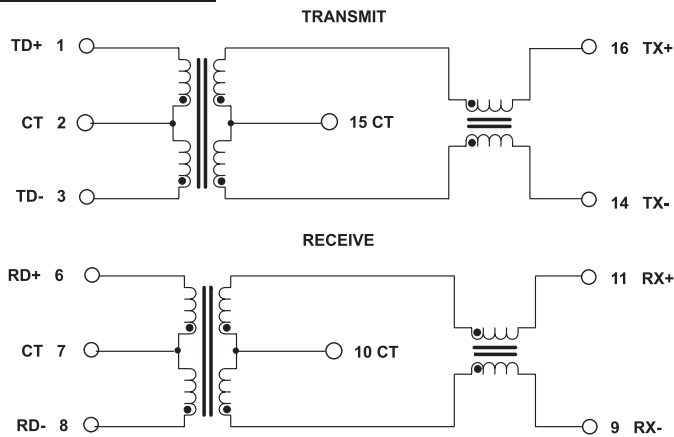


Center-tapped inductor not included in H1089. So, pin 12 connects to the transformer center tap.

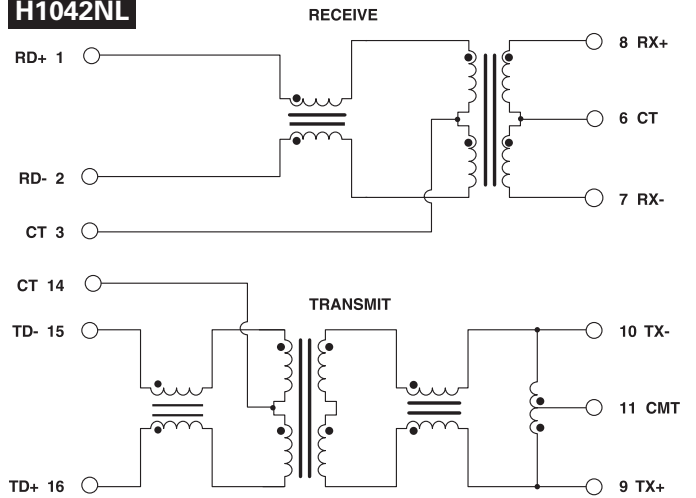
PE-68517L, H1019



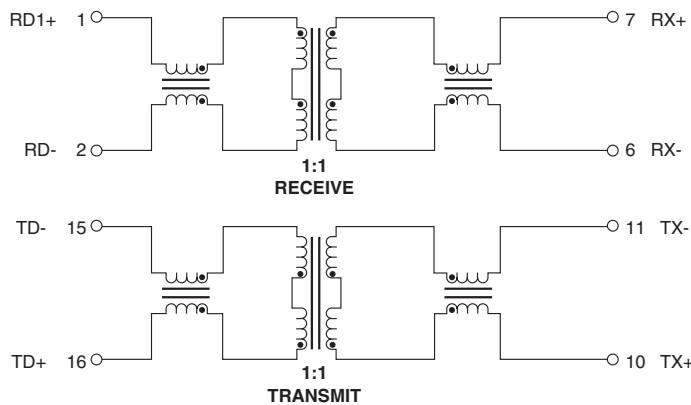
H1117, HX1178



H1042NL



H1338



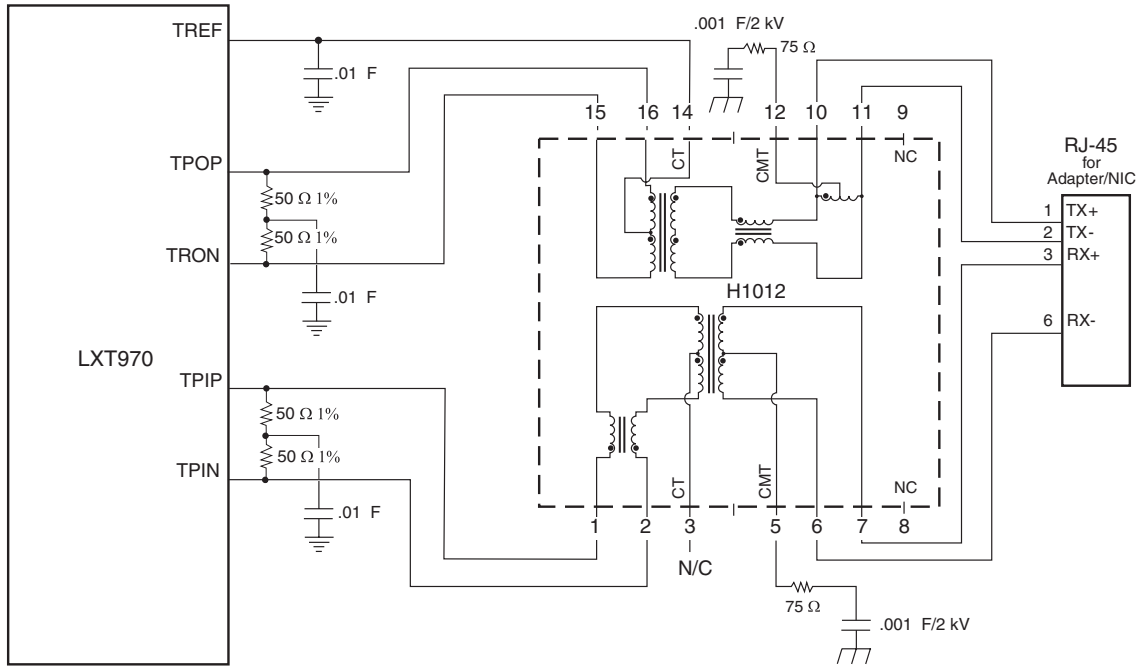
10/100 BASE-T SINGLE PORT TRANSFORMER MODULES

With 1:1 Transmit Turns Ratios

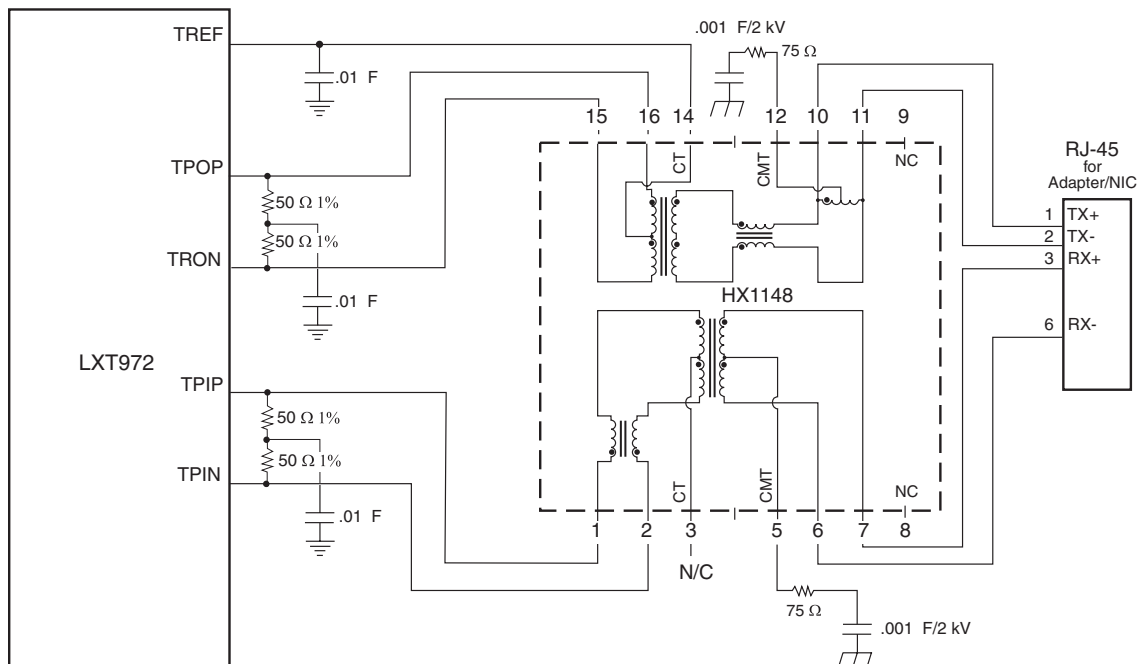


Typical Application Circuits

H1012, H1138



HX1148



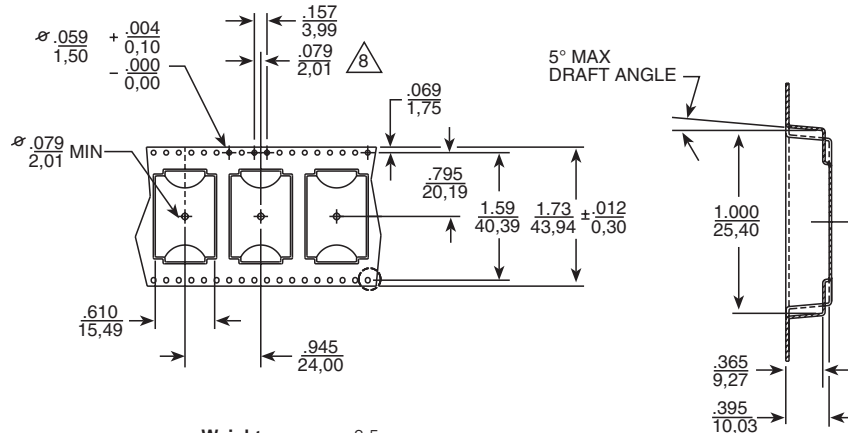
10/100 BASE-T SINGLE PORT TRANSFORMER MODULES

With 1:1 Transmit Turns Ratios



Tape & Reel Specifications

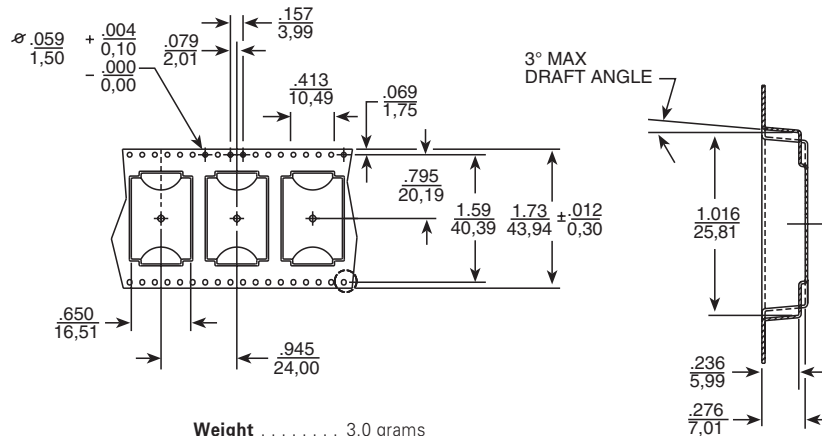
PE-68515L, PE-68517L, H1042NL



Weight 3.5 grams
 Tube 20/tube
 Tape & Reel 160/reel

H1012, H1019, H1086, H1089, H1117,

H1138, H1338, HX1148, HX1178



Weight 3.0 grams
 Tube 20/tube
 Tape & Reel 300/reel

For More Information:

Pulse Worldwide Headquarters

12220 World Trade Dr.
 San Diego, CA 92128
 U.S.A.

Pulse Europe

Einsteinstrasse 1
 D-71083 Herrenberg
 Germany

Pulse China Headquarters

B402, Shenzhen Academy of
 Aerospace Technology Bldg.
 10th Kejinan Rd.
 High-Tech Zone
 Nanshan District
 Shenzhen, PR China 518057

Pulse North China

Room 1503
 XinYin Building
 No. 888 YiShan Rd.
 Shanghai 200233
 China

Pulse South Asia

135 Joo Seng Rd.
 #03-02
 PM Industrial Bldg.
 Singapore 368363

Pulse North Asia

No. 26, Kao Ching Rd.
 Yang Mei Chen
 Taoyuan Hsien
 Taiwan
 R. O. C.

www.pulseeng.com

Tel: 858 674 8100
 Fax: 858 674 8262

Tel: 49 7032 7806 0
 Fax: 49 7032 7806 135

TEL: 86 755 33966678
 FAX: 86 755 33966700

Tel: 86 21 54643211/2
 Fax: 86 21 54643210

TEL: 65 6287 8998
 FAX: 65 6280 0080

Tel: 886 3 4643715
 Fax: 886 3 4641911

Performance warranty of products offered on this data sheet is limited to the parameters specified. Data is subject to change without notice. Other brand and product names mentioned herein may be trademarks or registered trademarks of their respective owners.

© Copyright, 2008. Pulse Engineering, Inc. All rights reserved.