

## 阅读申明

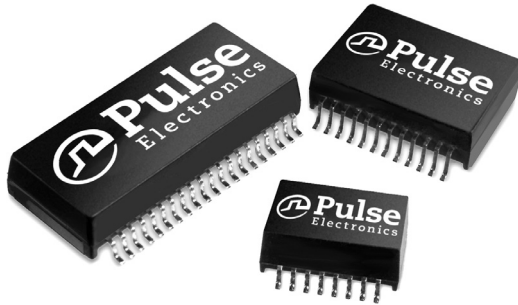
- 1.本站收集的数据手册和产品资料都来自互联网，版权归原作者所有。如读者和版权方有任何异议请及时告之，我们将妥善解决。
- 2.本站提供的中文数据手册是英文数据手册的中文翻译，其目的是协助用户阅读，该译文无法自动跟随原稿更新，同时也可能存在翻译上的不当。建议读者以英文原稿为参考以便获得更精准的信息。
- 3.本站提供的产品资料，来自厂商的技术支持或者使用者的心得体会等，其内容可能存在描述上的差异，建议读者做出适当判断。
- 4.如需与我们联系，请发邮件到marketing@iczoom.com，主题请标有“数据手册”字样。

## Read Statement

1. The datasheets and other product information on the site are all from network reference or other public materials, and the copyright belongs to the original author and original published source. If readers and copyright owners have any objections, please contact us and we will deal with it in a timely manner.
2. The Chinese datasheets provided on the website is a Chinese translation of the English datasheets. Its purpose is for reader's learning exchange only and do not involve commercial purposes. The translation cannot be automatically updated with the original manuscript, and there may also be improper translations. Readers are advised to use the English manuscript as a reference for more accurate information.
3. All product information provided on the website refer to solutions from manufacturers' technical support or users the contents may have differences in description, and readers are advised to take the original article as the standard.
4. If you have any questions, please contact us at marketing@iczoom.com and mark the subject with "Datasheets" .

# Star Magnetics™ 10/100BASE-T Transformer Modules with PoE\* Option and 1:1 Turns Ratios

\*Power over Ethernet



- RoHS peak reflow temperature rating 245°C
- Meets IEEE 802.3 specification
- Compact footprint

Electrical Specifications @ 25°C - Operating Temperature 0°C to 70°C

Part Number	PoE	Number of Ports	Insertion Loss (dB MAX)			Return Loss (Z out = 100 Ω ± 15%)			Crosstalk (adjacent channels dB MIN)			Hipot (Vrms MIN)
			0.1 MHz	1 MHz	100 MHz	30 MHz	60 MHz	80 MHz	30 MHz	60 MHz	100 MHz	
H0055NL <sup>1, 6a, 7</sup>	No	1	-2.5	—	-1.0	-16	-10	-10	-45	-40	-33	1500
H0056NL <sup>2, 6a, 7</sup>	No	1	—	-0.8	-0.9	-16	-10	-10	-45	-40	-33	1500
H1259NL <sup>6a, 7</sup>	No	4	-1.2	—	-1.4	-16	-10	-10	-45	-40	-33	1500
HX1259NL <sup>3, 6a, 7</sup>	No	4	-1.2	—	-1.4	-16	-10	-10	-45	-40	-33	1500
H1260NL <sup>6a, 7</sup>	No	1	-1.1	—	-1.1	-16	-10	-10	-35	-30	-30	1500
HX1260NL <sup>3, 6a, 7</sup>	No	1	-1.1	—	-1.1	-16	-10	-10	-35	-30	-30	1500
H1278NL <sup>6a, 7</sup>	No	1	-1.1	—	-1.0	-16	-10	-10	-45	-40	-33	1500
H1305NL <sup>6a, 7</sup>	No	2	-1.2	—	-1.4	-16	-10	-10	-45	-40	-33	1500
HX1305NL <sup>3, 6a, 7</sup>	No	2	-1.2	—	-1.4	-16	-10	-10	-45	-40	-33	1500
H2260NL <sup>6a, 7</sup>	Yes <sup>d</sup>	1	-1.1	—	-1.1	-16	-10	-10	-35	-30	-30	1500
HX2260NL <sup>3, 6a, 7</sup>	Yes <sup>d</sup>	1	-1.1	—	-1.1	-16	-10	-10	-35	-30	-30	1500
H2305NL <sup>6a, 7</sup>	Yes <sup>d</sup>	2	-1.2	—	-1.4	-16	-10	-10	-45	-40	-33	1500
HX2305NL <sup>3, 6a, 7</sup>	Yes <sup>d</sup>	2	-1.2	—	-1.4	-16	-10	-10	-45	-40	-33	1500

**Notes:**

1. H0055NL is designed to meet 200 μH nom.
2. H0056NL is designed to meet 300 μH nom.
3. Parts offer extended operating temperature of -40 to +85°C
4. These parts are compliant to IEEE802.3af, Power over Ethernet (PoE) standard.
5. When ordering Tape & Reel packaging, add a "T" suffix to the end of the part number, e.g. H0056NLT
6. MSL = Moisture Sensivity Level: a=1, b=2, c=3, d=4, e=5
7. Not for sale in U.S.

USA 858 674 8100

Germany 49 7032 7806 0

Singapore 65 6287 8998

Shanghai 86 21 62787060

China 86 755 33966678

Taiwan 886 3 4356768

# Star Magnetics™ 10/100BASE-T Transformer Modules with PoE\* Option and 1:1 Turns Ratios

\*Power over Ethernet



## Mechanicals

### H0055NL

**SUGGESTED LAND PATTERN**

**Weight** .....0.35 grams  
**Tape & Reel** .....1000/reel  
**Tube** .....40/tube

### H0056NL

**SUGGESTED LAND PATTERN**

**Weight** .....0.30 grams  
**Tape & Reel** .....2000/reel  
**Tube** .....40/tube

Dimensions:  $\frac{\text{Inches}}{\text{mm}}$  Unless otherwise specified, all tolerances are  $\pm \frac{.010}{0,25}$

### H1259NL, HX1259NL

**SUGGESTED PAD LAYOUT**

**Weight** .....3.4 grams  
**Tape & Reel** .....250/reel  
**Tube** .....15/tube

### H1260NL, HX1260NL, H2260NL, HX2260NL

**SUGGESTED PAD LAYOUT**

**Weight** .....0.9 grams  
**Tape & Reel** .....600/reel  
**Tube** .....40/tube

Dimensions:  $\frac{\text{Inches}}{\text{mm}}$  Unless otherwise specified, all tolerances are  $\pm \frac{.010}{0,25}$

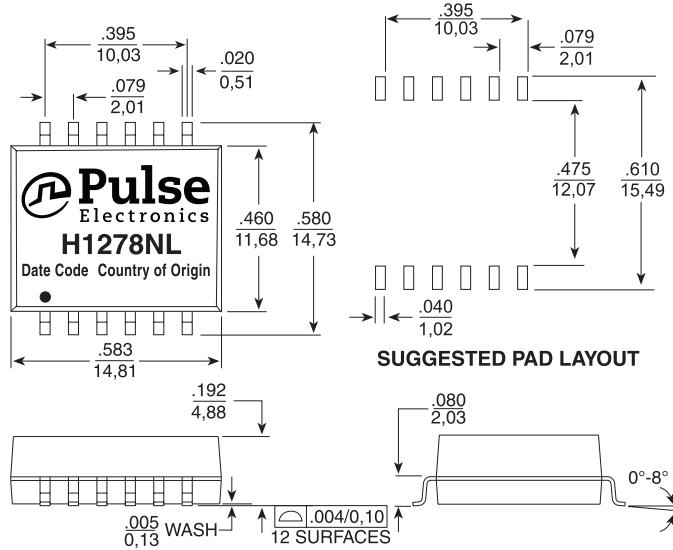
# Star Magnetics™ 10/100BASE-T Transformer Modules with PoE\* Option and 1:1 Turns Ratios

\*Power over Ethernet



## Mechanicals (continued)

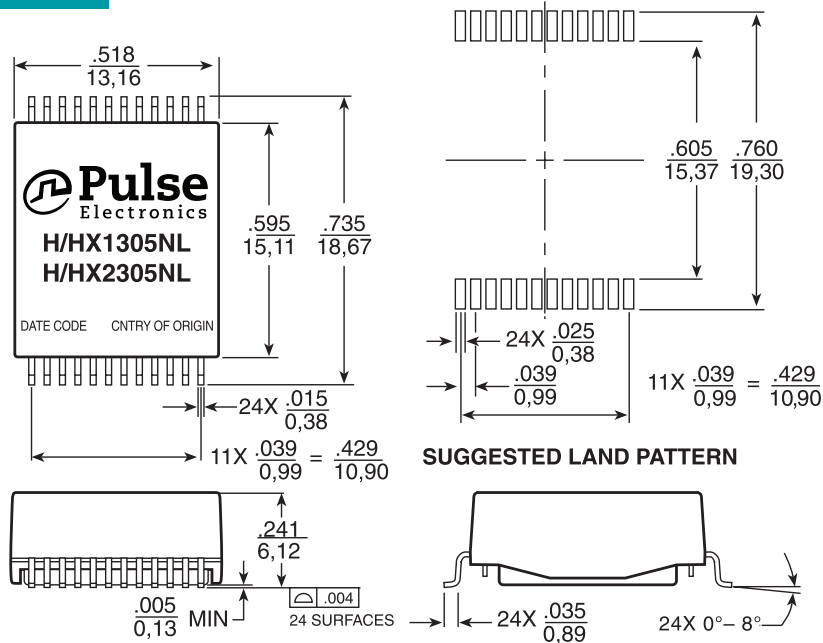
### H1278NL



**Weight** .....0.9 grams  
**Tape & Reel** .....350/reel  
**Tube** .....35/tube

**Dimensions:**  $\frac{\text{Inches}}{\text{mm}}$  Unless otherwise specified, all tolerances are  $\pm \frac{.010}{0,25}$

### H1305NL, HX1305NL, H2305NL, HX2305NL



**Weight** .....2.7 grams  
**Tape & Reel** .....350/reel  
**Tube** .....35/tube

**Dimensions:**  $\frac{\text{Inches}}{\text{mm}}$  Unless otherwise specified, all tolerances are  $\pm \frac{.010}{0,25}$

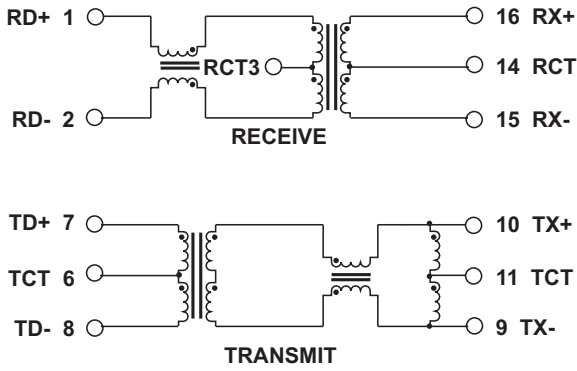
# Star Magnetics™ 10/100BASE-T Transformer Modules with PoE\* Option and 1:1 Turns Ratios

\*Power over Ethernet

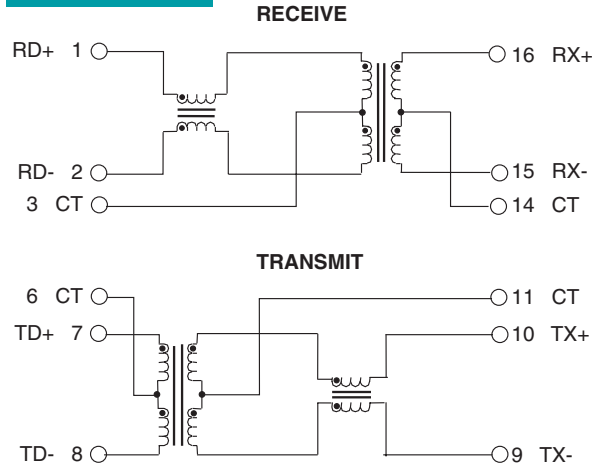


## Schematics

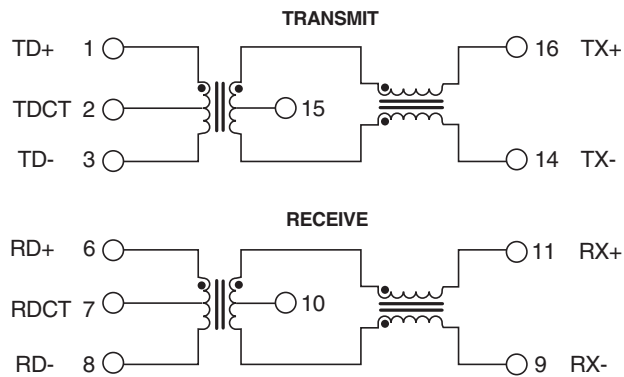
### H0055NL



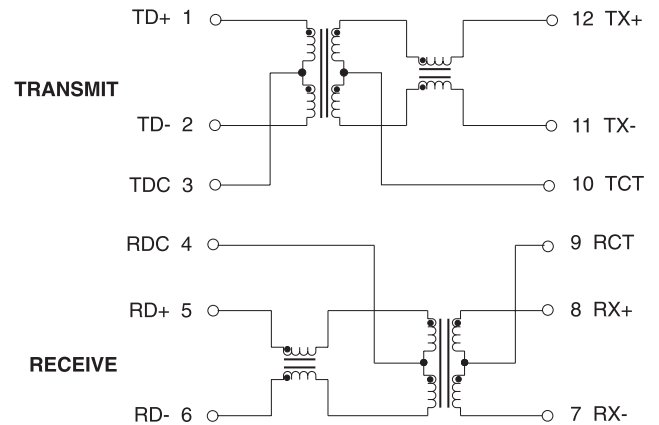
### H0056NL



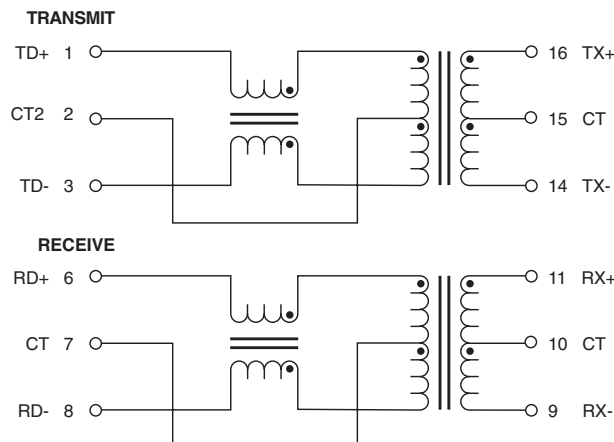
### H1260NL, HX1260NL



### H1278NL



### H2260NL, HX2260NL



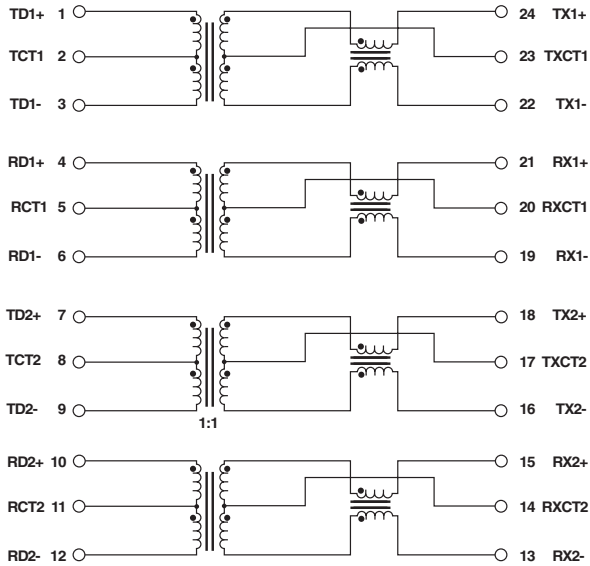
# Star Magnetics™ 10/100BASE-T Transformer Modules with PoE\* Option and 1:1 Turns Ratios

\*Power over Ethernet

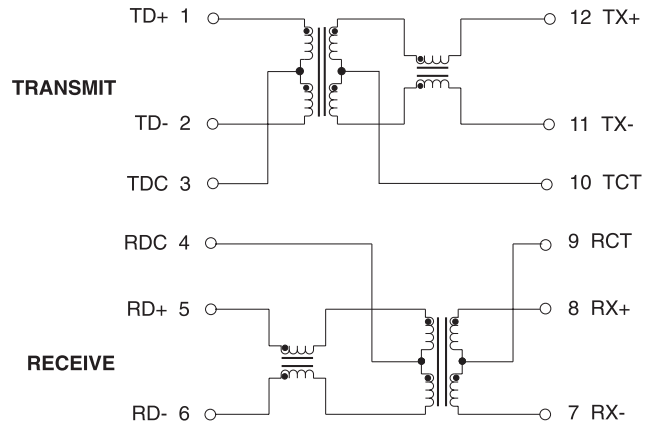


## Schematics (continued)

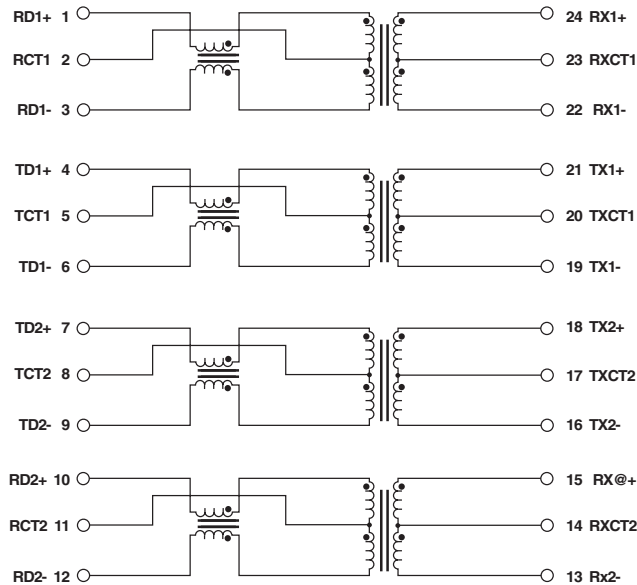
### H1305NL, HX1305NL



### H1278NL



### H2305NL, HX2305NL



# Star Magnetics™

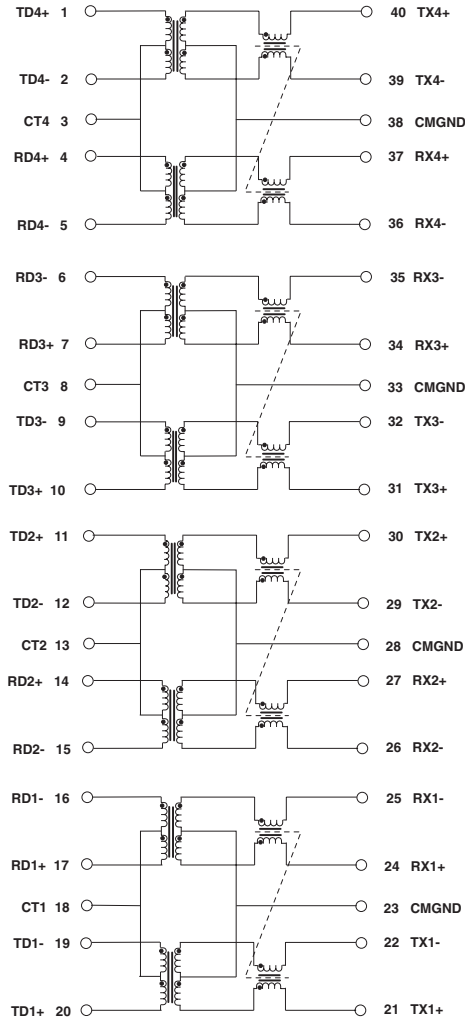
## 10/100BASE-T Transformer Modules

### with PoE\* Option and 1:1 Turns Ratios

\*Power over Ethernet

### Schematics (continued)

H1259NL, HX1259NL



### For More Information

**Pulse Worldwide Headquarters**  
12220 World Trade Drive  
San Diego, CA  
92128  
U.S.A.

Tel: 858 674 8100

**Pulse Europe**  
Einsteinstrasse 1  
D-71083 Herrenberg  
Germany

Tel: 49 7032 7806

**Pulse China Headquarters**  
B402, Shenzhen Academy of  
Aerospace Technology Bldg.  
10th Kejinan Road  
High-Tech Zone  
Nanshan District  
Shenzhen, PR China  
518057

**Pulse North China**  
Room 2704/2705  
Super Ocean Finance  
Ctr.  
2067 Yan An Road  
West  
Shanghai 200336  
China

**Pulse South Asia**  
135 Joo Seng Road  
#03-02  
PM Industrial Bldg.  
Singapore 368363

Tel: 65 6287 8998  
Fax: 65 6287 8998

**Pulse North Asia**  
3F, No. 198  
Zhongyuan Road  
Zhongli City  
Taoyuan County 320  
Taiwan R. O. C.  
Tel: 886 3 4356768  
Fax: 886 3 4356823  
(Pulse)

Performance warranty of products offered on this data sheet is limited to the parameters specified. Data is subject to change without notice. Other brand and product names mentioned herein may be trademarks or registered trademarks of their respective owners. © Copyright, 2013. Pulse Electronics, Inc. All rights reserved.