

## 阅读申明

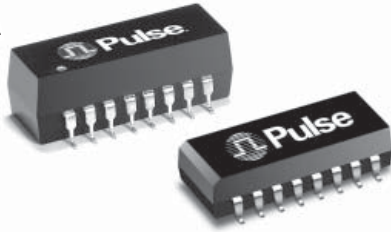
- 1.本站收集的数据手册和产品资料都来自互联网，版权归原作者所有。如读者和版权方有任何异议请及时告之，我们将妥善解决。
- 2.本站提供的中文数据手册是英文数据手册的中文翻译，其目的是协助用户阅读，该译文无法自动跟随原稿更新，同时也可能存在翻译上的不当。建议读者以英文原稿为参考以便获得更精准的信息。
- 3.本站提供的产品资料，来自厂商的技术支持或者使用者的心得体会等，其内容可能存在描述上的差异，建议读者做出适当判断。
- 4.如需与我们联系，请发邮件到marketing@iczoom.com，主题请标有“数据手册”字样。

## Read Statement

1. The datasheets and other product information on the site are all from network reference or other public materials, and the copyright belongs to the original author and original published source. If readers and copyright owners have any objections, please contact us and we will deal with it in a timely manner.
2. The Chinese datasheets provided on the website is a Chinese translation of the English datasheets. Its purpose is for reader's learning exchange only and do not involve commercial purposes. The translation cannot be automatically updated with the original manuscript, and there may also be improper translations. Readers are advised to use the English manuscript as a reference for more accurate information.
3. All product information provided on the website refer to solutions from manufacturers' technical support or users the contents may have differences in description, and readers are advised to take the original article as the standard.
4. If you have any questions, please contact us at marketing@iczoom.com and mark the subject with "Datasheets" .

# 10/100 BASE-T SINGLE PORT TRANSFORMER MODULES

## With 1:1 Transmit Turns Ratios



- RoHS peak reflow temperature rating: 245°C
- Compatible with Broadcom, Intel, Micrel, National Semiconductor, ICS, and TDK Transceivers
- Meets IEEE 802.3 specification

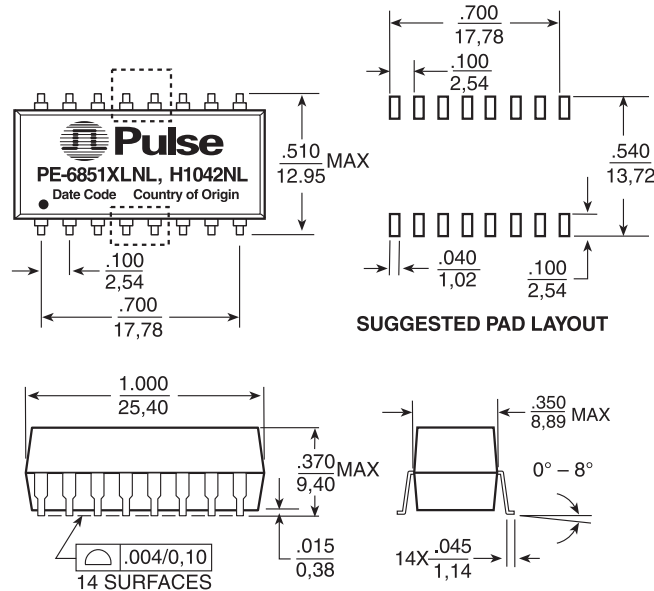
### Electrical Specifications @ 25°C — Operating Temperature 0°C to 70°C

RoHS Compliant Part Number	Insertion Loss (dB MAX)	Return Loss (dB MIN @ 100 Ω)				Differential to Common Mode Rejection (dB MIN)			Crosstalk (dB TYP)			Hipot (Vrms MIN)
		0.1-100 MHz	1-30 MHz	40 MHz	50 MHz	60-80 MHz	30 MHz	60 MHz	100 MHz	30 MHz	60 MHz	
H1012NL <sup>4d</sup>	-1.0	-20	-20	-18	-14	-42	-36	-33	-50	-40	-40	1500
H1019NL <sup>4c</sup>	-1.0	-20	-18	-18	-14	-45	-40	-35	-45	-40	-35	1500
H1042NL <sup>4c</sup>	-1.0	-16	-13.5	-11.5	-10	-45	-40	-35	-40	-38	-35	1500
H1086NL <sup>4c</sup>	-1.0	-22	-20	-18	-12	-45	-40	-35	-50	-40	-40	1500
H1089NL <sup>4c</sup>	-1.0	-22	-20	-18	-12	-42	-38	-32	-50	-40	-40	1500
H1138NL <sup>4a</sup>	-0.8	-18	-16	-14	-12	42	-37	-33	-50	-40	-40	1500
HX1148NL <sup>2,4d</sup>	-1.5	-18	-13.5	-11.5	-10	-42	-37	-33	-50	-40	-40	1500
HX1178NL <sup>2,4d</sup>	-1.5	-18	-13.5	-11.5	-10	-42	-37	-33	-50	-40	-40	1500
PE-68515LNL <sup>4d</sup>	-1.0	-18	-18	-16	-12	-50	-45	-40	-55	-50	-50	1500
PE-68517LNL <sup>4d</sup>	-1.0	-18	-16	-15	-12	-45	-40	-35	-50	-40	-40	1500
H1338NL <sup>4a</sup>	-1.1	-18	-16	-14	-12	-42	-37	-35	-40	-40	-35	1500

1. Rise time optimized for National's DP83843.
2. Operating temperature: -40°+ 85°C.
3. When ordering Tape & Reel packaging, add a "T" suffix to the end of the part number, e.g. H1012NLT
4. MSL = Moisture Sensitivity Level: a = 1, b = 2, c = 3, d = 4.

## Mechanical

### PE-68515LNL, PE-68517LNL, H1042NL



Weight . . . . . 3.5 grams  
 Tube . . . . . 20/tube  
 Tape & Reel . . . . . 160/reel

# 10/100 BASE-T SINGLE PORT TRANSFORMER MODULES

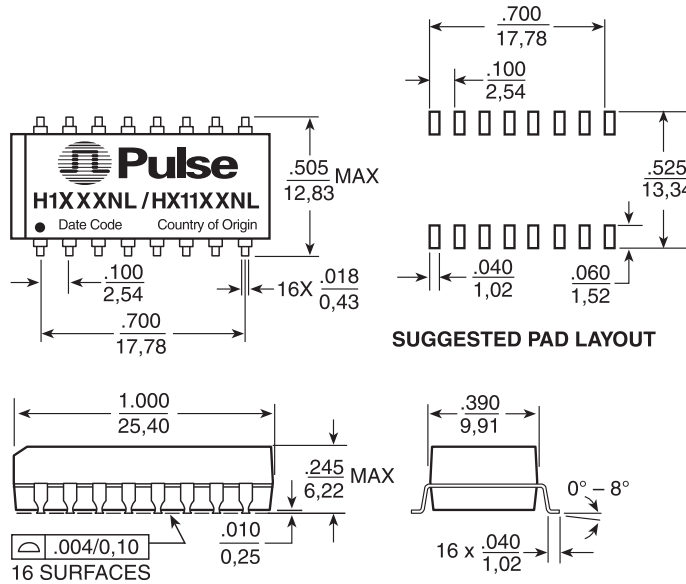
## With 1:1 Transmit Turns Ratios



### Mechanicals (continued)

**H1012NL, H1019NL, H1086NL, H1089NL, H1138NL**

**HX1148NL, HX1178NL**

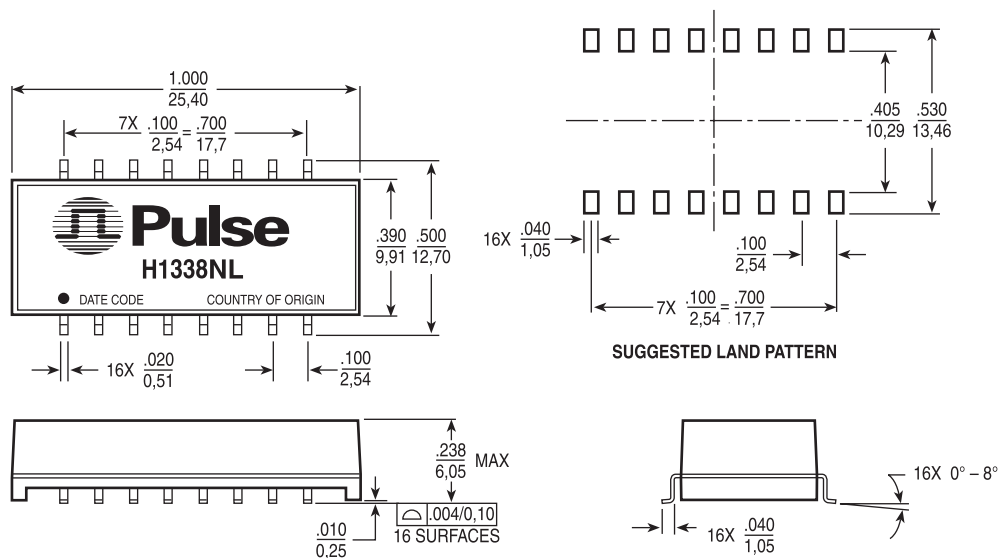


**SUGGESTED PAD LAYOUT**

**Dimensions:**  $\frac{\text{Inches}}{\text{mm}}$  Unless otherwise specified, all tolerances are  $\pm \frac{.010}{0,25}$

**Weight** . . . . . 3.0 grams  
**Tube** . . . . . 20/tube  
**Tape & Reel** . . . . . 300/reel

### H1338NL



**SUGGESTED LAND PATTERN**

**Dimensions:**  $\frac{\text{Inches}}{\text{mm}}$  Unless otherwise specified, all tolerances are  $\pm \frac{.010}{0,25}$

**Weight** . . . . . 3.0 grams  
**Tube** . . . . . 20/tube  
**Tape & Reel** . . . . . 300/reel

# 10/100 BASE-T SINGLE PORT TRANSFORMER MODULES

## With 1:1 Transmit Turns Ratios

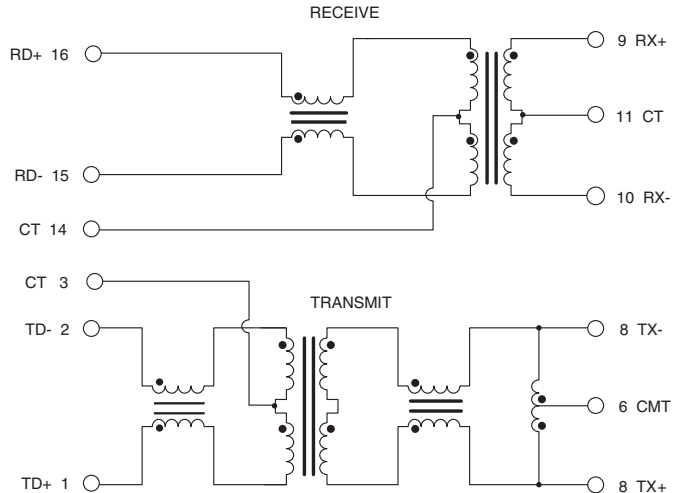
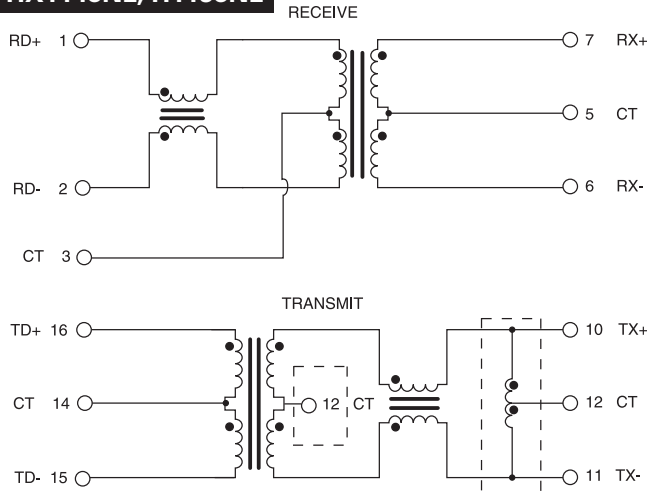


### Schematics

**PE-68515LNL, H1012NL, H1086NL, H1089NL**

**PE-68517LNL, H1019NL**

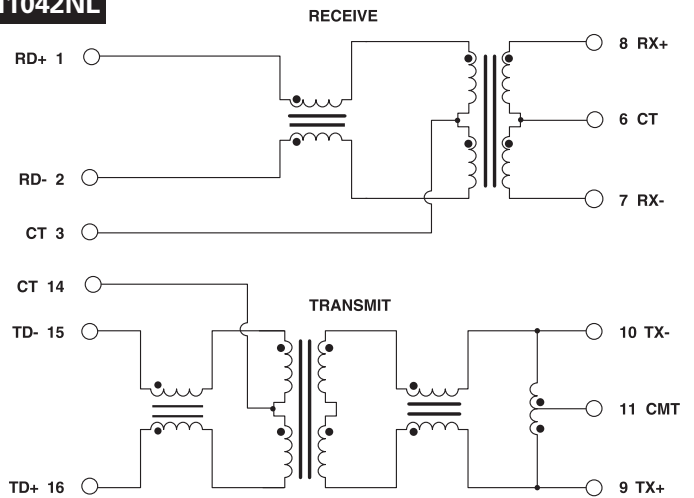
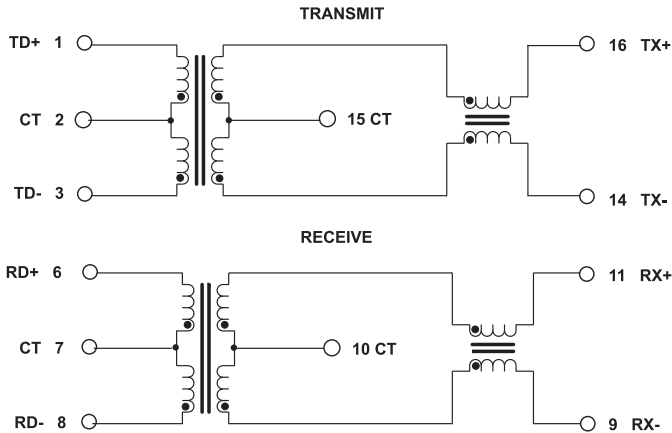
**HX1148NL, H1138NL**



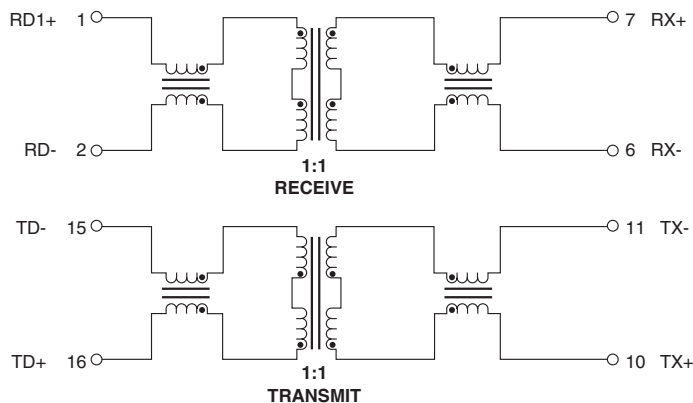
Center-tapped inductor not included in H1089. So, pin 12 connects to the transformer center tap.

**HX1178NL**

**H1042NL**



**H1338NL**



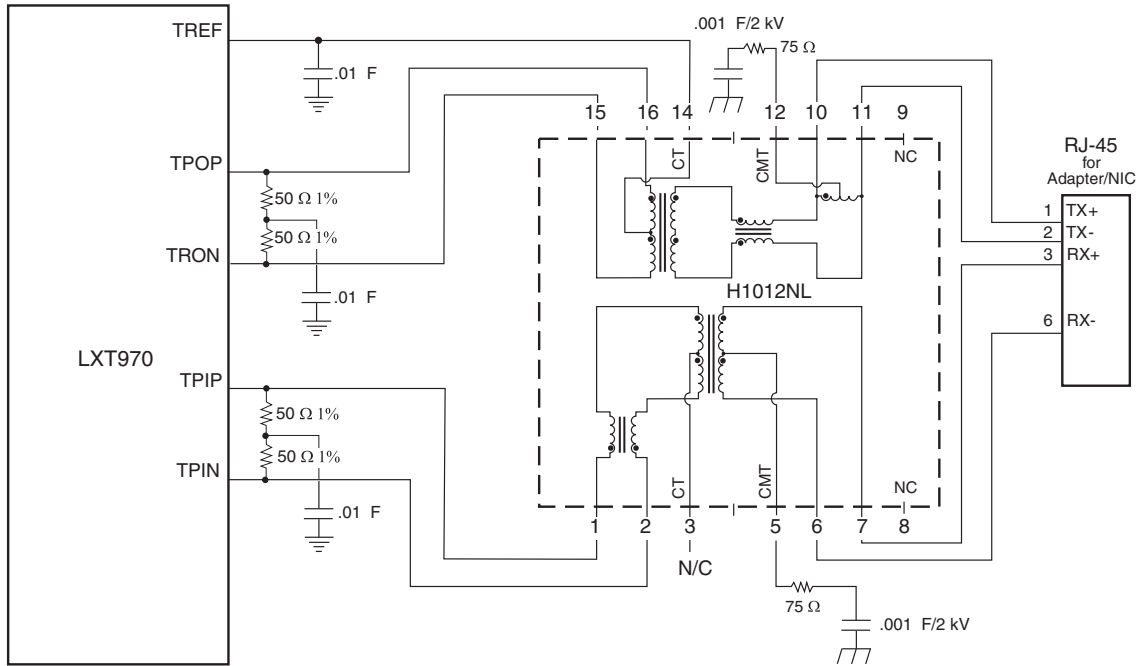
# 10/100 BASE-T SINGLE PORT TRANSFORMER MODULES

## With 1:1 Transmit Turns Ratios

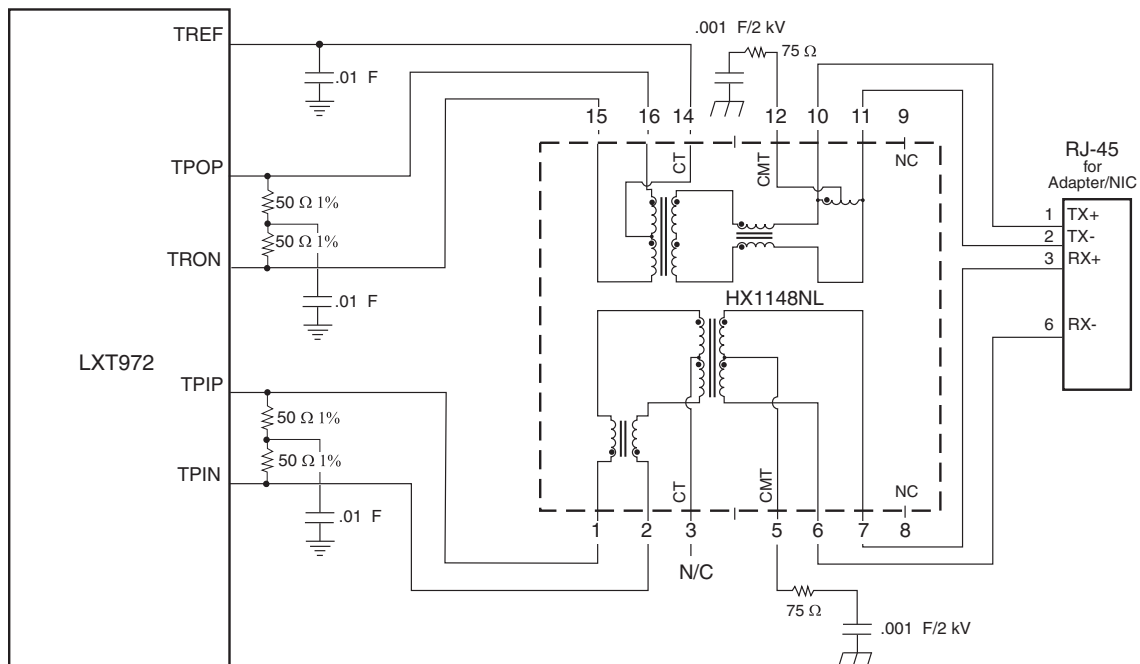


### Typical Application Circuits

#### H1012NL, H1138NL



#### HX1148NL



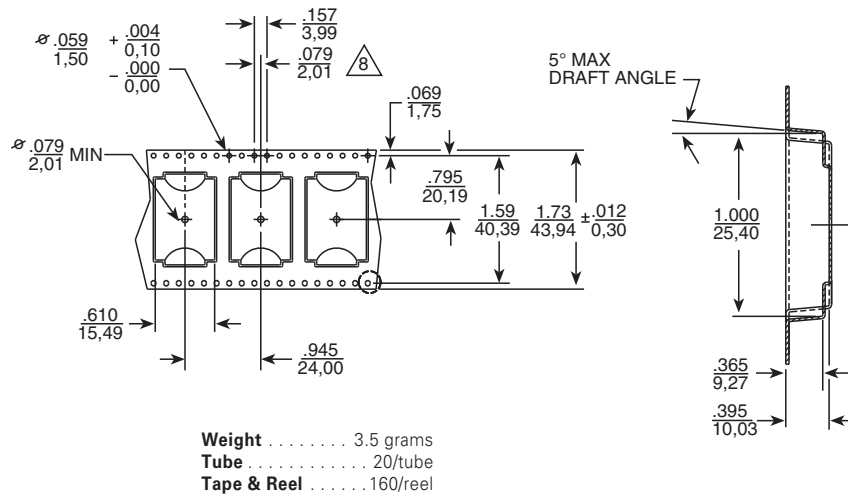
# 10/100 BASE-T SINGLE PORT TRANSFORMER MODULES

## With 1:1 Transmit Turns Ratios



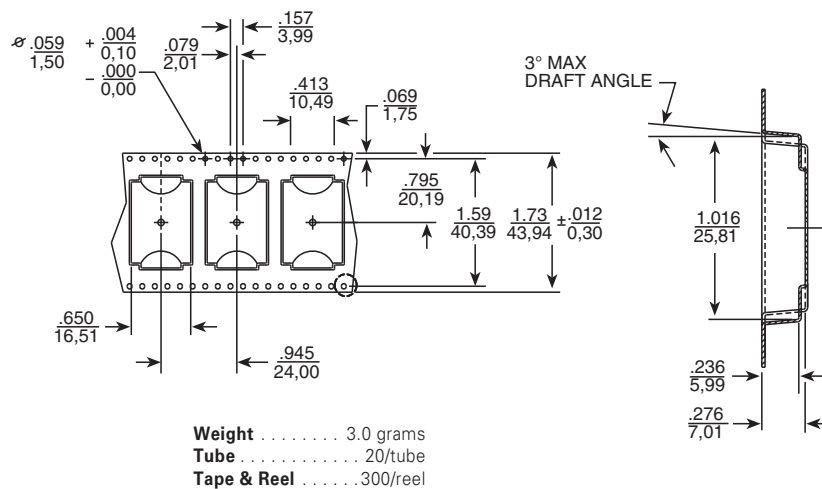
### Tape & Reel Specifications

**PE-68515LNL, PE-68517LNL, H1042NL**



**H1012NL, H1019NL, H1086NL, H1089NL, H1138NL,**

**H1338NL, HX1148NL, HX1178NL**



### For More Information:

Pulse Worldwide Headquarters	Pulse Europe	Pulse China Headquarters	Pulse North China	Pulse South Asia	Pulse North Asia
12220 World Trade Dr. San Diego, CA 92128 U.S.A.	Einsteinstrasse 1 D-71083 Herrenberg Germany	B402, Shenzhen Academy of Aerospace Technology Bldg. 10th Kejinan Rd. High-Tech Zone Nanshan District Shenzhen, PR China 518057	Room 1503 XinYin Building No. 888 YiShan Rd. Shanghai 200233 China	135 Joo Seng Rd. #03-02 PM Industrial Bldg. Singapore 368363	No. 26, Kao Ching Rd. Yang Mei Chen Taoyuan Hsien Taiwan R. O. C.
<a href="http://www.pulseeng.com">www.pulseeng.com</a> Tel: 858 674 8100 Fax: 858 674 8262	Tel: 49 7032 7806 0 Fax: 49 7032 7806 135	TEL: 86 755 33966678 FAX: 86 755 33966700	Tel: 86 21 54643211/2 Fax: 86 21 54643210	TEL: 65 6287 8998 FAX: 65 6280 0080	Tel: 886 3 4643715 Fax: 886 3 4641911

Performance warranty of products offered on this data sheet is limited to the parameters specified. Data is subject to change without notice. Other brand and product names mentioned herein may be trademarks or registered trademarks of their respective owners.

© Copyright, 2009. Pulse Engineering, Inc. All rights reserved.