

阅读申明

- 1.本站收集的数据手册和产品资料都来自互联网，版权归原作者所有。如读者和版权方有任何异议请及时告之，我们将妥善解决。
- 2.本站提供的中文数据手册是英文数据手册的中文翻译，其目的是协助用户阅读，该译文无法自动跟随原稿更新，同时也可能存在翻译上的不当。建议读者以英文原稿为参考以便获得更精准的信息。
- 3.本站提供的产品资料，来自厂商的技术支持或者使用者的心得体会等，其内容可能存在描述上的差异，建议读者做出适当判断。
- 4.如需与我们联系，请发邮件到marketing@iczoom.com，主题请标有“数据手册”字样。

Read Statement

1. The datasheets and other product information on the site are all from network reference or other public materials, and the copyright belongs to the original author and original published source. If readers and copyright owners have any objections, please contact us and we will deal with it in a timely manner.
2. The Chinese datasheets provided on the website is a Chinese translation of the English datasheets. Its purpose is for reader's learning exchange only and do not involve commercial purposes. The translation cannot be automatically updated with the original manuscript, and there may also be improper translations. Readers are advised to use the English manuscript as a reference for more accurate information.
3. All product information provided on the website refer to solutions from manufacturers' technical support or users the contents may have differences in description, and readers are advised to take the original article as the standard.
4. If you have any questions, please contact us at marketing@iczoom.com and mark the subject with "Datasheets" .

CTB

CTB-Series

THERMAL CIRCUIT PROTECTORS

The CTB-Series is a compact, single pole, rocker actuated family of thermal circuit breakers designed to protect equipment. Utilizing simple, precision design with few moving parts, these breakers offer cost effective, extremely reliable circuit protection with high resistance against shock and vibration. Electrical ratings range from 3 to 16 amps at 125, 250VAC or 50VDC. This breaker resets with the push of a finger and features a snap in mounting style, utilizing a 16mm dia. round Double D mounting hole.



Product Highlights:

- ♦ Ratings from 3-16A, 125, 250VAC, 50VDC
- ♦ .250 Tabs
- ♦ 60°C Max Operating Temperature
- ♦ 1000 AIC Interrupting Capacity
- ♦ 100M ohms Insulation Resistance
- ♦ UL, cUL, VDE, CE

Applications:

- ♦ Household Appliances
- ♦ Transportation
- ♦ Marine
- ♦ Power Strips
- ♦ Medical Equipment
- ♦ Audio Visual Equipment
- ♦ Power Supplies
- ♦ Exercise Equipment
- ♦ ROHS Compliant

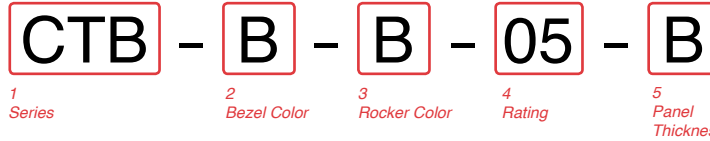


Carling Technologies®

Innovative Designs. Powerful Solutions.

Carling Technologies, Inc.
60 Johnson Avenue, Plainville, CT 06062
Email: sales@carlingtech.com
Application Support: team2@carlingtech.com
Phone: 860.793.9281 Fax: 860.793.9231

www.carlingtech.com



1 SERIES
CTB

2 BEZEL COLOR ¹
B Black

4 RATING

03	3 amps	08	8 amps	14	14 amps
04	4 amps	09	9 amps	15	15 amps
05	5 amps	10	10 amps	16	16 amps
06	6 amps	12	12 amps		
07	7 amps	13	13 amps		

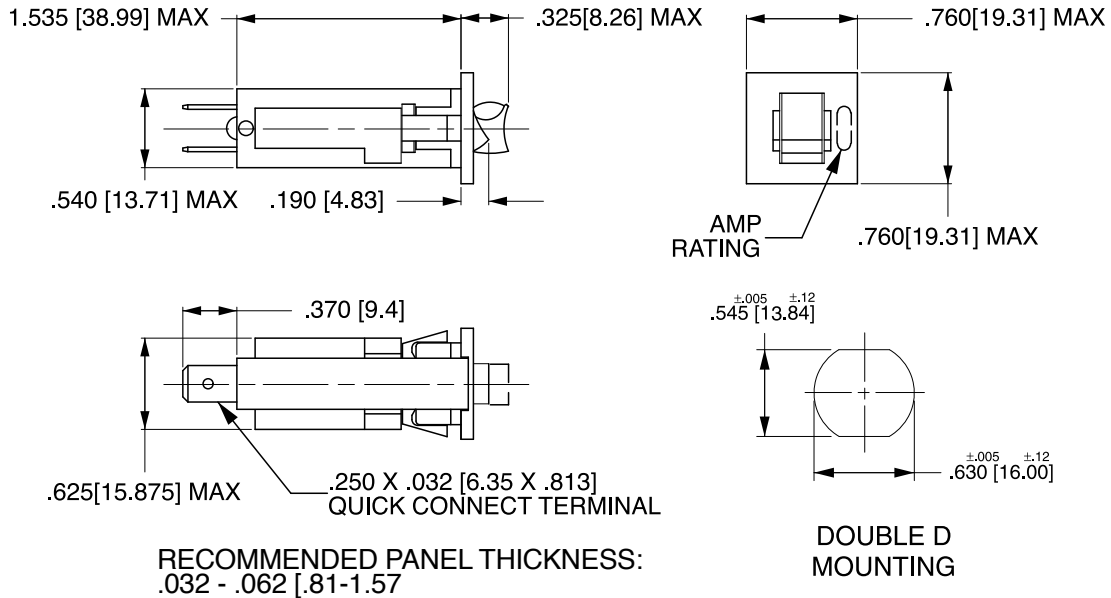
3 ROCKER COLOR ¹
B Black

5 PANEL THICKNESS

blank fits standard thickness of .032 - .062
B fits .070 - .110 panel thickness

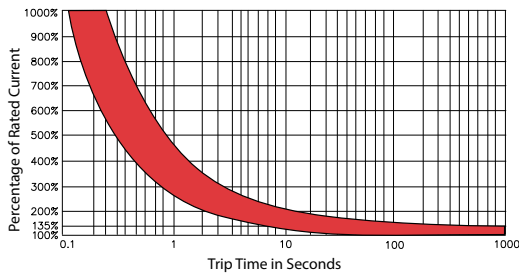
Notes:
1. Additional colors available. Consult factory.

Dimensional Specifications: in. [mm]



Notes:
All dimensions are in inches [millimeters]. Tolerance ± 0.005 [.127] unless otherwise specified. Breaker must hold 100% of rated current and must trip at 150% and above, within the time limits shown in curve. Trip times specified at 25° ambient with no preloading.

Time Delay



Overload	Trip Time
100%	No Trip
135%	Trip in 1 hr
200%	2.2 ~ 15 sec.
300%	0.9 ~ 3.4 sec.
400%	0.57 ~ 1.6 sec.
500%	0.38 ~ 0.94 sec.
600%	0.27 ~ 0.76 sec.

Correction Factor ¹	
0 °C	x 0.85
10 °C	x 0.90
15 °C	x 0.925
18 °C	x 0.952
25 °C	x 1.00
32 °C	x 1.05
40 °C	x 1.15
50 °C	x 1.39
60 °C	x 1.49

Notes:
1. To adjust the breaker rating for ambient temperature, multiply the breaker rating by the factor. ex: 5A rating x .850 = 4.25A. Select 4A rating.

*Manufacturer reserves the right to change product specification without prior notice.

Authorized Sales Representatives and Distributors

Click on a region of the map below to find your local representatives and distributors or visit www.carlingtech.com/findarep.



About Carling

Founded in 1920, Carling Technologies is a leading manufacturer of electrical and electronic switches and assemblies, circuit breakers, electronic controls, power distribution units, and multiplexed power distribution systems. With four ISO registered manufacturing facilities and technical sales offices worldwide, Carling Technologies Sales, Service and Engineering teams do much more than manufacture electrical components, they engineer powerful solutions! To learn more about Carling please visit www.carlingtech.com/company-profile.

To view all of Carling's environmental, quality, health & safety certifications please visit www.carlingtech.com/environmental-certifications

Worldwide Headquarters

Carling Technologies, Inc.
60 Johnson Avenue, Plainville, CT 06062
Phone: 860.793.9281 **Fax:** 860.793.9231
Email: sales@carlingtech.com

Northern Region Sales Office: nrsm@carlingtech.com
Southeast Region Sales Office: sersm@carlingtech.com
Midwest Region Sales Office: mrrsm@carlingtech.com
West Region Sales Office: wrsm@carlingtech.com
Latin America Sales Office: larsm@carlingtech.com

Asia-Pacific Headquarters

Carling Technologies, Asia-Pacific Ltd.,
Suite 1607, 16/F Tower 2, The Gateway,
Harbour City, 25 Canton Road,
Tsimshatsui, Kowloon, Hong Kong
Phone: Int + 852-2737-2277 **Fax:** Int + 852-2736-9332
Email: sales@carlingtech.com.hk

Shenzhen, China: shenzhen@carlingtech.com
Shanghai, China: shanghai@carlingtech.com
Pune, India: india@carlingtech.com
Kaohsiung, Taiwan: taiwan@carlingtech.com
Yokohama, Japan: japan@carlingtech.com

Europe | Middle East | Africa Headquarters

Carling Technologies LTD
4 Airport Business Park, Exeter Airport,
Clyst Honiton, Exeter, Devon, EX5 2UL, UK
Phone: Int + 44 1392.364422 **Fax:** Int + 44 1392.364477
Email: ltd.sales@carlingtech.com

Germany: gmbh@carlingtech.com
France: sas@carlingtech.com



Carling Technologies®

Innovative Designs. Powerful Solutions.