

## 阅读申明

- 1.本站收集的数据手册和产品资料都来自互联网，版权归原作者所有。如读者和版权方有任何异议请及时告之，我们将妥善解决。
- 2.本站提供的中文数据手册是英文数据手册的中文翻译，其目的是协助用户阅读，该译文无法自动跟随原稿更新，同时也可能存在翻译上的不当。建议读者以英文原稿为参考以便获得更精准的信息。
- 3.本站提供的产品资料，来自厂商的技术支持或者使用者的心得体会等，其内容可能存在描述上的差异，建议读者做出适当判断。
- 4.如需与我们联系，请发邮件到marketing@iczoom.com，主题请标有“数据手册”字样。

## Read Statement

1. The datasheets and other product information on the site are all from network reference or other public materials, and the copyright belongs to the original author and original published source. If readers and copyright owners have any objections, please contact us and we will deal with it in a timely manner.
2. The Chinese datasheets provided on the website is a Chinese translation of the English datasheets. Its purpose is for reader's learning exchange only and do not involve commercial purposes. The translation cannot be automatically updated with the original manuscript, and there may also be improper translations. Readers are advised to use the English manuscript as a reference for more accurate information.
3. All product information provided on the website refer to solutions from manufacturers' technical support or users the contents may have differences in description, and readers are advised to take the original article as the standard.
4. If you have any questions, please contact us at marketing@iczoom.com and mark the subject with "Datasheets" .

Circuit Breaker for Equipment thermal, Threaded neck type, Reset type, Quick connect terminals



### Description

- Threaded neck type
- Thermal circuit breaker
- 1-pole
- Reset type
- Quick connect terminals 6.3 x 0.8 mm

### Unique Selling Proposition

- Compact design
- Positively trip-free release
- Available with cover
- Different mounting possibilities

### Standards

- Approval Reference Type: T12
- IEC 60934
- UL 1077
- CSA C22.2 No. 235
- GB 17701

### Applications

- Power supplies
- Uninterruptible power supply
- Power tools
- Household appliances

### Weblinks

[pdf datasheet](#), [html-datasheet](#), [General Product Information](#), [Approvals](#), [CE declaration of conformity](#), [RoHS](#), [CHINA-RoHS](#), [REACH](#), [Distributor-Stock-Check](#), [Detailed request for product](#), [Product News](#)

### Technical Data

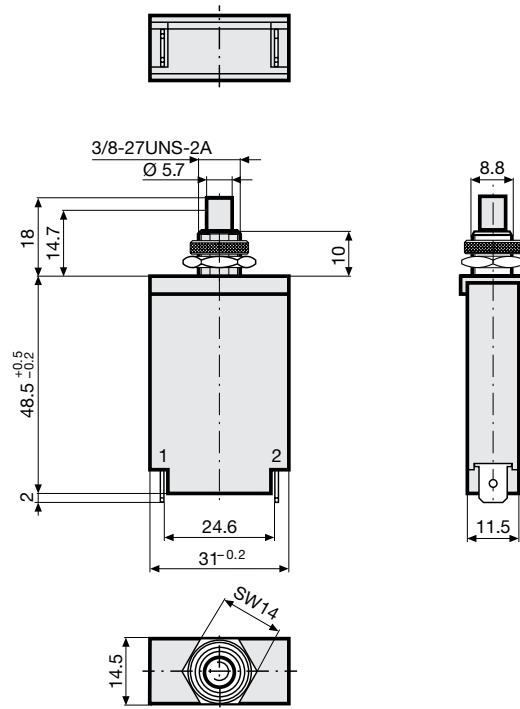
|                                    |   |
|------------------------------------|---|
| Rated Voltage AC                   | 240 V; 50/60 Hz   |
| Rated Voltage DC                   | 28 V  |
| Rated current range AC             | 0.05 - 15/16 A , see approbations   |
| Conditional short circuit capacity | IEC: Inc, PC1, AC 240 V: 1 kA   |
| Short circuit capacity Icn         | at $I_n < 7 \text{ A}/240 \text{ VAC}$ : 8 x $I_n$<br>at $I_n \geq 7 \text{ A}/240 \text{ VAC}$ : 200 A<br>AC/DC 28 V : 400 A |
| Degree of Protection               | from front side IP 40 acc. to IEC 60529   |
| Dielectric Strength                | 50Hz: > 1.5 kV<br>Impulse 1.2/50 $\mu\text{s}$ : > 2.5 kV   |
| Insulation Resistance              | 500VDC > 100 M $\Omega$   |
| Endurance typical                  | 2 x $I_r$ : 5000 switching cycles   |
| Endurance minimum                  | Reset type<br>AC : 2 x $I_r$ , $\cos \phi$ 0.6 :<br>DC : 2 x $I_r$ , L/R = 2 - 3 ms :<br>50 switching cycles                  |

|                      |   |
|----------------------|---|
| Overload             | IEC: min. 40 trips<br>@ 6 x $I_r$ , $\cos \phi$ 0.6<br>UL / CSA: min. 50 trips<br>@ 1.5 x $I_r$ , $\cos \phi$ 0.75          |
| Ambient temperature  | -5 °C to 60 °C  |
| Vibration Resistance | $\pm 1.5 \text{ mm}$ @ 10 - 60 Hz<br>acc. to IEC 60068-2-6, test Fc<br>10 G @ 60 - 500 Hz<br>acc. to IEC 60068-2-6, test Fc |
| Shock Resistance     | 100 G / 6 ms<br>acc. to IEC 60068-2-27, test Ea   |
| Tripping Type        | Thermal   |
| Actuation Type       | Reset type  |
| Weight               | ca. 10 g  |

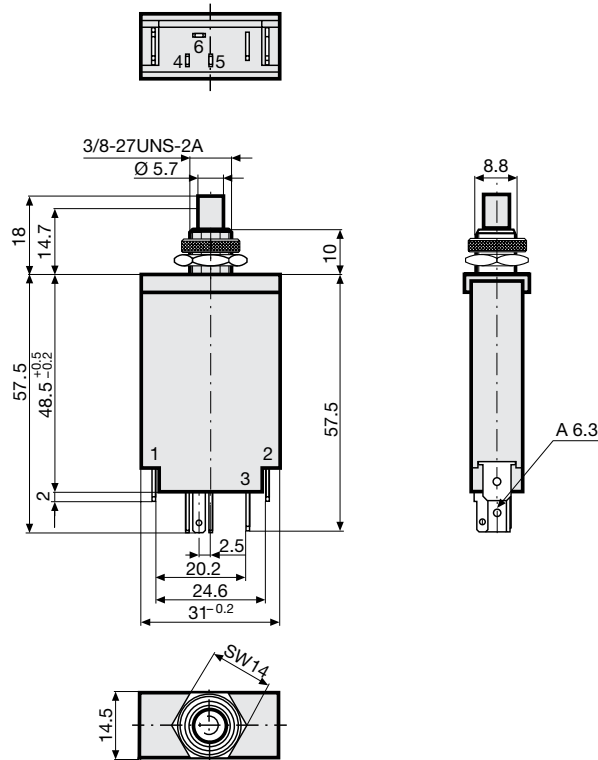
Detailed information on product approvals, code requirements, usage instructions and detailed test conditions can be looked up in [General Product Information](#)

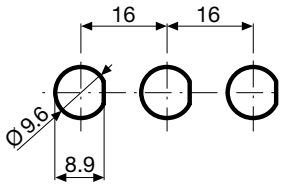
## Dimension [mm]

T12-211



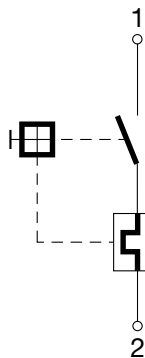
T12-211SN



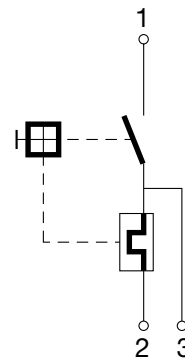


Diagrams

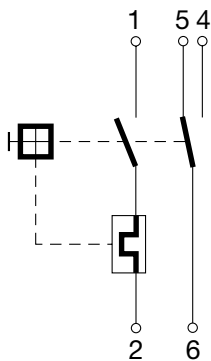
Tap 4,8 x 0,8 mm



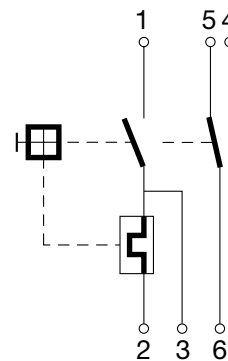
Tap 4,8 x 0,8 mm



Tap 4,8 x 0,8 mm



Tap 4,8 x 0,8 mm



| Approval                     | Main circuit  |                  |                  | Auxiliary circuit |                  |                  |
|------------------------------|---------------|------------------|------------------|-------------------|------------------|------------------|
|                              | Rated current | Rated voltage AC | Rated voltage DC | Rated current     | Rated voltage AC | Rated voltage DC |
| UL 1077<br>CSA C22.2 No. 235 | 0.05...15 A   | 240 V            | 28 V             | 2 A<br>3 A        | 120 V<br>-       | -<br>28 V        |
| CSA C22.2 No. 235            | 0.3...16 A    | 240 V            | 28 V             | 1 A               | 240 V            | -                |
| IEC 60934                    | 0.05...16 A   | 240 V            | 28 V             | 1 A               | 240 V            | 28 V             |
| GB 17701                     | 0.05...16 A   | 240 V            | 28 V             | 1 A               | 240 V            | 28 V             |

**Typical internal resistance**

| Rated Current [A] | Internal Resistance [ $\Omega$ ] |
|-------------------|----------------------------------|
| 0.05              | 225.000                          |
| 0.50              | 3.300                            |
| 1.00              | 0.880                            |
| 2.00              | 0.267                            |
| 3.00              | 0.128                            |
| 4.00              | 0.073                            |
| 5.00              | 0.040                            |
| 6.00              | 0.031                            |
| 7.00              | 0.018                            |
| 8.00              | 0.018                            |
| 9.00              | 0.010                            |
| 10.00             | 0.0087                           |
| 11.00             | 0.0087                           |
| 12.00             | 0.0087                           |
| 13.00             | 0.0087                           |
| 14.00             | 0.0070                           |
| 15.00             | 0.0070                           |
| 16.00             | 0.0055                           |

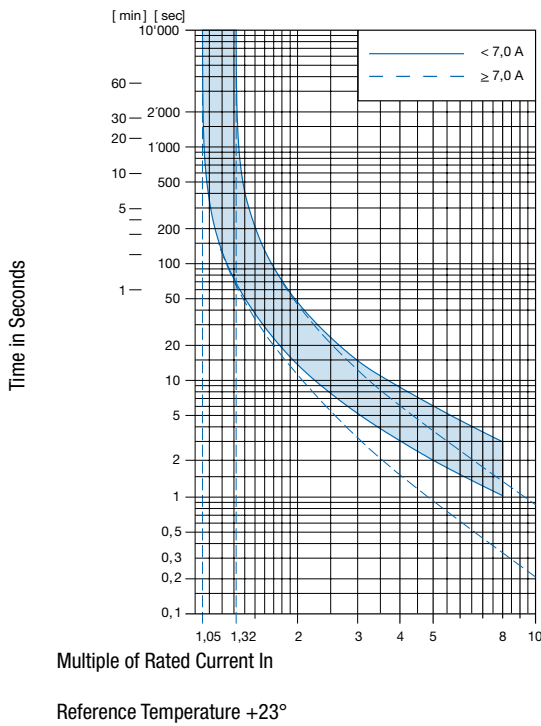
**Effect of ambient temperature**

The units are calibrated for an ambient temperature of +23°C. To determine the rated current for a lower or higher ambient temperature, use a correction factor (typical value) from the table below:

| Ambient temperature [°C] | Correction factor |
|--------------------------|-------------------|
| -5                       | 0.87              |
| 0                        | 0.90              |
| 10                       | 0.95              |
| 23                       | 1.00              |
| 30                       | 1.05              |
| 40                       | 1.12              |
| 50                       | 1.20              |
| 60                       | 1.30              |

Example: Rated current = 5 A; Environmental temperature = 50 °C; --> Correction factor = 1.2; Resulting current = 6.0 A

Time-Current-Curves



Config. Code

T12 - 1 2 3 A B C - 1.23

The characters are placeholders for the correspondingly keys of selections from the key tables.

T12 - **1** 2 3 A B C - 1.23 = Mounting

| Mounting   | Configuration key |
|--|-------------------|
| Threaded neck type with hexagonal- and knurled nut | 2                 |

T12 - 1 **2** 3 A B C - 1.23 = Actuation Type

| Actuation Type | Configuration key |
|----------------|-------------------|
| Reset type     | 1                 |

T12 - 1 2 **3** A B C - 1.23 = Terminal

| Terminal                         | Configuration key |
|----------------------------------|-------------------|
| Quick connect terminal 6.3x0.8mm | 1                 |

T12 - 1 2 3 **A** B C - 1.23 = Auxiliary contact

| Auxiliary contact | Configuration key |
|-------------------|-------------------|
| Auxiliary contact | S                 |

T12 - 1 2 3 A **B** C - 1.23 = Shunt terminal

| Shunt terminal | Configuration key |
|----------------|-------------------|
| Shunt terminal | N                 |

T12 - 1 2 3 A B **C** - 1.23 = Setting indication

| Setting indication | Configuration key |
|--------------------|-------------------|
| Setting indication | R                 |

T12 - 1 2 3 A B C - **1.23** = Rated current

| Rated current | Configuration key |
|---------------|-------------------|
| 0.05 A        | 0.05              |
| 0.1 A         | 0.1               |
| 0.15 A        | 0.15              |
| 0.2 A         | 0.2               |
| 0.3 A         | 0.3               |
| 0.4 A         | 0.4               |
| 0.5 A         | 0.5               |
| 0.6 A         | 0.6               |
| 0.7 A         | 0.7               |
| 0.8 A         | 0.8               |
| 0.9 A         | 0.9               |
| 1.0           | 1                 |
| 1.1 A         | 1.1               |
| 1.2 A         | 1.2               |
| 1.3 A         | 1.3               |
| 1.4 A         | 1.4               |

Other rated currents on request

| Rated current | Configuration key |
|---------------|-------------------|
| 1.5 A         | 1.5               |
| 1.6 A         | 1.6               |
| 1.7 A         | 1.7               |
| 1.8 A         | 1.8               |
| 1.9 A         | 1.9               |
| 2.0 A         | 2                 |
| 2.1 A         | 2.1               |
| 2.3 A         | 2.3               |
| 2.5 A         | 2.5               |
| 2.8 A         | 2.8               |
| 3.0 A         | 3                 |
| 3.3 A         | 3.3               |
| 3.5 A         | 3.5               |
| 4.0 A         | 4                 |
| 4.5 A         | 4.5               |
| 5.0 A         | 5                 |

Other rated currents on request

| Rated current | Configuration key |
|---------------|-------------------|
| 5.5 A         | 5.5               |
| 6.0           | 6                 |
| 6.5 A         | 6.5               |
| 7.0 A         | 7                 |
| 7.5 A         | 7.5               |
| 8.0 A         | 8                 |
| 8.5 A         | 8.5               |
| 9.0 A         | 9                 |
| 9.5 A         | 9.5               |
| 10.0 A        | 10                |
| 11.0 A        | 11                |
| 12.0 A        | 12                |
| 13.0 A        | 13                |
| 14.0 A        | 14                |
| 15.0 A        | 15                |
| 16.0 A        | 16                |

Other rated currents on request

## Variants

| Rated current | Construction variants |                |                    | Config. Code | Order Number |
|---------------|-----------------------|----------------|--------------------|--------------|--------------|
|               | Auxiliary contact     | Shunt terminal | Setting indication |              |              |
| 12.0 A        |                       |                |                    | T12-211-12   | 4410.0019    |
| 0.8 A         | ●                     |                |                    | T12-211S-0.8 | 4410.0044    |
| 2.5 A         | ●                     |                |                    | T12-211S-2.5 | 4410.0046    |
| 10.0 A        |                       |                |                    | T12-211-10   | 4410.0106    |
| 6.5 A         | ●                     |                |                    | T12-211S-6.5 | 4410.0264    |
| 1.0           | ●                     | ●              | ●                  | T12-211SNR-1 | 4410.0655    |

Most Popular.

Availability for all products can be searched real-time: <http://www.schurter.com/en/Stock-Check/Stock-Check-SCHURTER>

**Packaging Unit** 20 Pcs

## Accessories

### Description



T-Linie Zubehör  
Accessories to T-Line