

阅读申明

- 1.本站收集的数据手册和产品资料都来自互联网，版权归原作者所有。如读者和版权方有任何异议请及时告之，我们将妥善解决。
- 2.本站提供的中文数据手册是英文数据手册的中文翻译，其目的是协助用户阅读，该译文无法自动跟随原稿更新，同时也可能存在翻译上的不当。建议读者以英文原稿为参考以便获得更精准的信息。
- 3.本站提供的产品资料，来自厂商的技术支持或者使用者的心得体会等，其内容可能存在描述上的差异，建议读者做出适当判断。
- 4.如需与我们联系，请发邮件到marketing@iczoom.com，主题请标有“数据手册”字样。

Read Statement

1. The datasheets and other product information on the site are all from network reference or other public materials, and the copyright belongs to the original author and original published source. If readers and copyright owners have any objections, please contact us and we will deal with it in a timely manner.
2. The Chinese datasheets provided on the website is a Chinese translation of the English datasheets. Its purpose is for reader's learning exchange only and do not involve commercial purposes. The translation cannot be automatically updated with the original manuscript, and there may also be improper translations. Readers are advised to use the English manuscript as a reference for more accurate information.
3. All product information provided on the website refer to solutions from manufacturers' technical support or users the contents may have differences in description, and readers are advised to take the original article as the standard.
4. If you have any questions, please contact us at marketing@iczoom.com and mark the subject with "Datasheets" .

L17T SERIES TELCOM POWER FUSE

170 VDC • Current-Limiting • 70-1200 A



Description

Specifically designed for short-circuit protection of telecommunications circuits, the Littelfuse L17T series fuses provide reliable protection of sensitive DC power distribution systems. Constructed with silver plated elements for low I^2t and peak let-through, these advanced fuses virtually eliminate equipment damage due to surges and spikes. The L17T series fuse unique element geometry also provides cooler running temperatures, helping to minimize heat within enclosures.

Features

- Low I^2t
- Extremely current-limiting
- Low operating temperature
- 170 VDC rating

Specifications

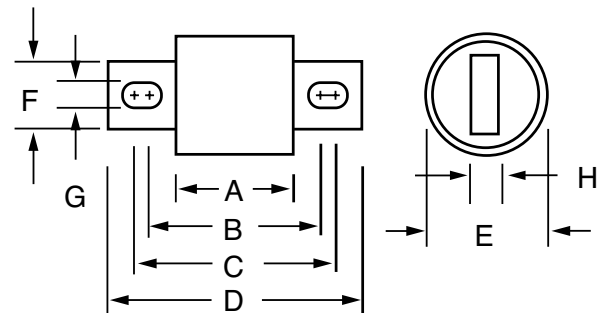
| | |
|----------------------------|--|
| Voltage Rating | 170 VDC |
| Interrupting Rating | 100 kA |
| Ampere Range | 70 – 1200 A |
| Approvals | UL Recognized (File: E71611) CSA Recognized (File: LR29862) |

Ordering Information

| AMPERE RATINGS | | | | | | |
|----------------|-----|-----|-----|-----|------|------|
| 70 | 125 | 200 | 300 | 450 | 800 | 1100 |
| 90 | 150 | 225 | 350 | 500 | 900 | 1200 |
| 100 | 175 | 250 | 400 | 600 | 1000 | — |

| SERIES | VOLTAGE | AMPERAGE | CATALOG NUMBER | ORDERING NUMBER |
|--------|---------|----------|----------------|-----------------|
| L17T | 170 | 1200 | L17T 1200 | L17T1200V |

Dimensions Inches (mm)



| AMPERE RATING | DIMENSIONS INCHES (mm) | | | | | | | |
|---------------|------------------------|-------------------|------------------|-------------------|-----------------|-----------------|-----------------|---------------|
| | A | B | C | D | E | F | G | H |
| 70 – 250 | 1 5/32 (29.4) | 1 7/8 (47.6) | 2 3/16 (55.6) | 2 21/32 (67.5) | 1 (25.4) | 7/8 (22.2) | 5/16 (7.9) | 3/16 (4.8) |
| 300 – 800 | 1 1/4 (31.8) | 1 15/16 (49.2) | 2 9/16 (65.1) | 3 1/2 (88.9) | 1 1/2 (38.1) | 1 (25.4) | 13/32 (10.3) | 1/4 (6.35) |
| 900 – 1200 | 1 11/32 (34.0) | — | — | 4 1/16 (103.1) | — | 1 1/2 (38.1) | — | 1/4 (6.35) |

Web Resources

For additional information, visit:
Littelfuse.com/l17t

Recommended Fuse Holders

LTFD 6001 and LTFD 1200 series, visit:
Littelfuse.com/lbfd