

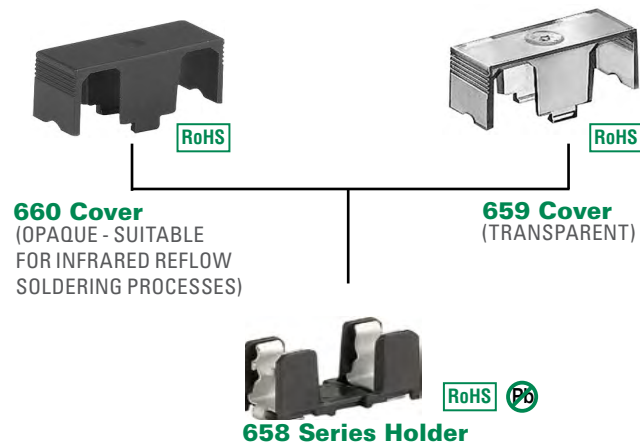
阅读申明

- 1.本站收集的数据手册和产品资料都来自互联网，版权归原作者所有。如读者和版权方有任何异议请及时告之，我们将妥善解决。
- 2.本站提供的中文数据手册是英文数据手册的中文翻译，其目的是协助用户阅读，该译文无法自动跟随原稿更新，同时也可能存在翻译上的不当。建议读者以英文原稿为参考以便获得更精准的信息。
- 3.本站提供的产品资料，来自厂商的技术支持或者使用者的心得体会等，其内容可能存在描述上的差异，建议读者做出适当判断。
- 4.如需与我们联系，请发邮件到marketing@iczoom.com，主题请标有“数据手册”字样。

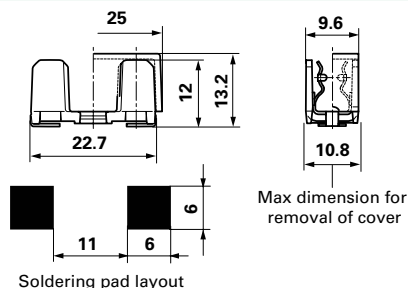
Read Statement

1. The datasheets and other product information on the site are all from network reference or other public materials, and the copyright belongs to the original author and original published source. If readers and copyright owners have any objections, please contact us and we will deal with it in a timely manner.
2. The Chinese datasheets provided on the website is a Chinese translation of the English datasheets. Its purpose is for reader's learning exchange only and do not involve commercial purposes. The translation cannot be automatically updated with the original manuscript, and there may also be improper translations. Readers are advised to use the English manuscript as a reference for more accurate information.
3. All product information provided on the website refer to solutions from manufacturers' technical support or users the contents may have differences in description, and readers are advised to take the original article as the standard.
4. If you have any questions, please contact us at marketing@iczoom.com and mark the subject with "Datasheets" .

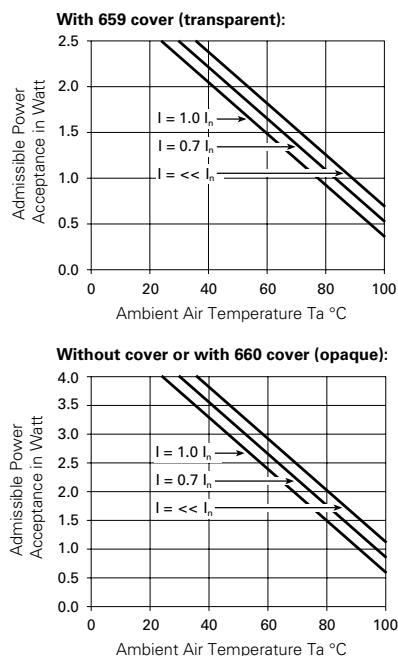
658 Series Molded Base Surface Mount Fuse Block For 5x20mm Fuses



Product Dimensions (millimeter)



Derating Curves






Product Characteristics

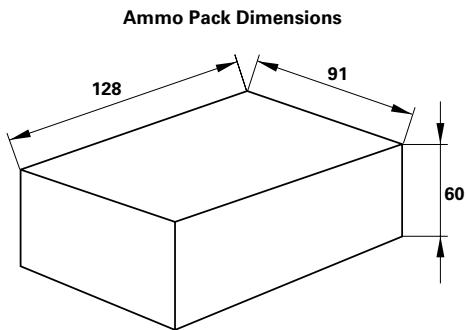
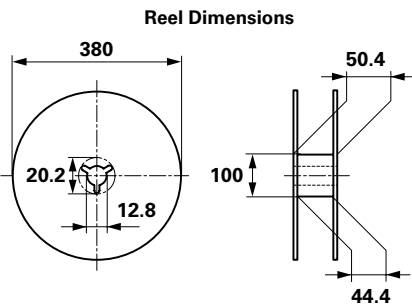
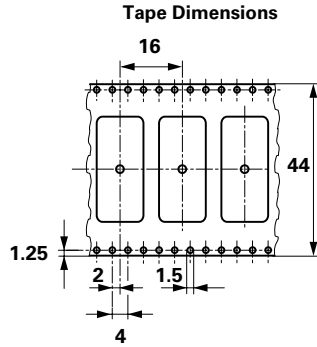
Compatible Fuse	5x20 mm
Materials	<p>Clip Frame: 65800001xxx: UL94 V-0 Black Thermoplastic 65800003xxx: UL94 V-0 Black LCP 65800004xxx: UL94 V-0 Black LCP</p> <p>Clip Terminals: 65800001xxx: Tin (Sn) plated copper alloy 65800003xxx: Tin (Sn) plated copper alloy 65800004xxx: Gold (Au) plated copper alloy</p>
Electrical Data	<p>Rated Voltage: 250 VAC (VDE); 250 VAC/DC (UL/CSA)</p> <p>Rated Current: 10A</p> <p>Rated Power Acceptance (at ambient air temp 23°C): - 4W without cover - 4W with 660 cover - 2.5W with 659 cover</p>
Mounting	SMT. Reflow soldering
Operating Temperature	-40°C to +85°C
Stock Conditions	0°C to +60°C, max 70% Relative humidity
Vibration Resistance	acc. to IEC 60068-2-6, test Fc
Contact Resistance	< 5 mΩ at 20 mV
Dielectric Strength	> 3kV, 50 Hz, 1 min.
Impulse withstand Voltage	> 4 kV between L-N
Insulation Resistance	(500 V DC/1 min): >10 MΩ
Solderability	245 - 260°C / max. 30 sec. acc. to JE-DEC J-STD-020D
Soldering Profile	JEDEC J-STD-020C: - 65800001xxx: 245(+0/-5)°C / 30 sec max. - 65800003xxx: 260(+0/-5)°C / 30 sec max. - 65800004xxx: 260(+0/-5)°C / 30 sec max.

* Ensure that proper fuse re-rating is factored in fuseholder selection.

Agency Approval

Agency	Agency File Number
	40001499
	251220 (see ordering info)
	E70164 (see ordering info)

Packaging Dimensions (millimeter)



Ordering Information

658 0000 1009	Fuse Holder - Thermoplastic / Tin terminals (100 pcs bulk)
658 0000 1109	Fuse Holder - Thermoplastic / Tin terminals (400 pcs tape & reel)
658 0000 3009*	Fuse Holder - LCP plastic / Tin terminals (100 pcs bulk)
658 0000 3109*	Fuse Holder - LCP plastic / Tin terminals (400 pcs tape & reel)
658 0000 4009*	Fuse Holder - LCP plastic / Gold terminals (100 pcs bulk)
658 0000 4109*	Fuse Holder - LCP plastic / Gold terminals (400 pcs tape & reel)
659 0000 0009	Fuse Holder Cover - Transparent plastic (100 pcs bulk)
660 0000 1009	Fuse Holder Cover - Opaque plastic, suitable for infrared (IR) reflow soldering processes (100 pcs bulk)

* Not UL Recognized or CSA.

Additional Information



Datasheet
658 Series



Resources
658 Series



Samples
658 Series



659 Series

Resources
659 Series



Samples
659 Series



660 Series

Resources
660 Series



Samples
660 Series