

阅读申明

- 1.本站收集的数据手册和产品资料都来自互联网，版权归原作者所有。如读者和版权方有任何异议请及时告之，我们将妥善解决。
- 2.本站提供的中文数据手册是英文数据手册的中文翻译，其目的是协助用户阅读，该译文无法自动跟随原稿更新，同时也可能存在翻译上的不当。建议读者以英文原稿为参考以便获得更精准的信息。
- 3.本站提供的产品资料，来自厂商的技术支持或者使用者的心得体会等，其内容可能存在描述上的差异，建议读者做出适当判断。
- 4.如需与我们联系，请发邮件到marketing@iczoom.com，主题请标有“数据手册”字样。

Read Statement

1. The datasheets and other product information on the site are all from network reference or other public materials, and the copyright belongs to the original author and original published source. If readers and copyright owners have any objections, please contact us and we will deal with it in a timely manner.
2. The Chinese datasheets provided on the website is a Chinese translation of the English datasheets. Its purpose is for reader's learning exchange only and do not involve commercial purposes. The translation cannot be automatically updated with the original manuscript, and there may also be improper translations. Readers are advised to use the English manuscript as a reference for more accurate information.
3. All product information provided on the website refer to solutions from manufacturers' technical support or users the contents may have differences in description, and readers are advised to take the original article as the standard.
4. If you have any questions, please contact us at marketing@iczoom.com and mark the subject with "Datasheets" .



Agency Approvals

| AGENCY | AGENCY FILE NUMBER |
|--------|--------------------|
| | E128662 |

2 Electrode GDT Graphical Symbol



Additional Information



Datasheet



Resources



Samples

Description

Littelfuse SE series GDT offers high surge ratings in a miniature package. It's designed for surface mounting on PCB with small size 3.2x1.6x1.6mm. Low insertion loss is perfectly suited to broadband equipment applications. The capacitance does not vary with voltage, and will not cause operational problems with ADSL2+, where capacitance variation across Tip and Ring is undesirable. These devices are extremely robust and are able to divert a 500A-600A pulse in a miniature package 1206 without destruction.

Features

- RoHS compliant and Lead-free
- GHz working frequency
- Excellent stability on multiple pulse duty cycle
- Excellent response to fast rising transients.
- Ultra Low Insertion Loss
- 0.5-0.6KA surge capability tested with 8/20µS pulse as defined by IEC 61000-4-5
- Ultra small devices offered in a variety of mounting lead forms
- Non-Radioactive
- Low capacitance (<0.5pF)
- Voltage Ranges 140V to 500V
- UL recognized
- Conforms to ITU-T K12, IEC 1000-4-5
- Square Outline

Applications

- Communication equipment
- CATV equipment
- Test equipment
- Data lines
- Power supplies
- Telecom SLIC protection
- Broadband equipment
- ADSL equipment, including ADSL2+
- XDSL equipment
- Satellite and CATV equipment
- General telecom equipment

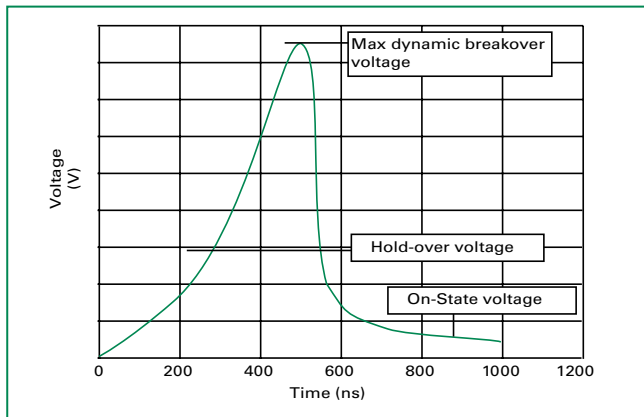
Electrical Characteristics

| Part Number | Device Specifications (at 25°C) | | | | | | | | | | Life Ratings | |
|-------------|---------------------------------|-----|-----|---------------------------------------|---|-----------------------|---------------------|-------------------|--------------------------------|--------------|---|--|
| | DC Breakdown in Volts (@100V/s) | | | Impulse Breakdown in Volts (@100V/μs) | Impulse Breakdown In Volts (@1 Kv/μsec) | Insulation Resistance | Capacitance (@1MHz) | Arc Voltage (@1A) | Glow to Arc Transition Current | Glow Voltage | Nominal Impulse Discharge Current (x10 @3/20μs) | Nominal Impulse Discharge Current (x10 @5/320μs) |
| | MIN | TYP | MAX | MAX | | MIN | MAX | | | | | |
| SE140 | 98 | 140 | 182 | 800 | 900 | >1GΩ (at 100VDC) | <0.5 pf | ~10 V | <1.0 A | ~60 V | 0.5 kA | 150 A |
| SE200 | 140 | 200 | 260 | 700 | 1100 | | <0.3 pf | | | | | |
| SE230 | 172 | 230 | 276 | 600 | 800 | | <0.5 pf | | | | | |
| SE350 | 265 | 350 | 495 | 900 | 1150 | | <0.5 pf | | | | | |
| SE470 | 329 | 470 | 611 | 1050 | 1200 | | <0.3 pf | | | | | |
| SE500 | 400 | 500 | 600 | 1050 | 1200 | | <0.3 pf | | | | | |

Product Characteristics

| | |
|--|--|
| Materials | Device Tin Plated 17.5±12.5 Microns Construction Ceramic Insulator. |
| Storage and Operational Temperature | -40 to +90 °C |

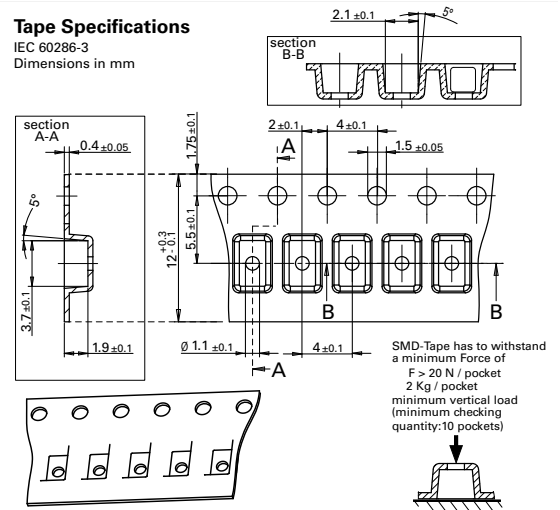
Voltage vs. Time Characteristic



Tape and Reel Dimensions (IEC 60286-3, dimension in mm)

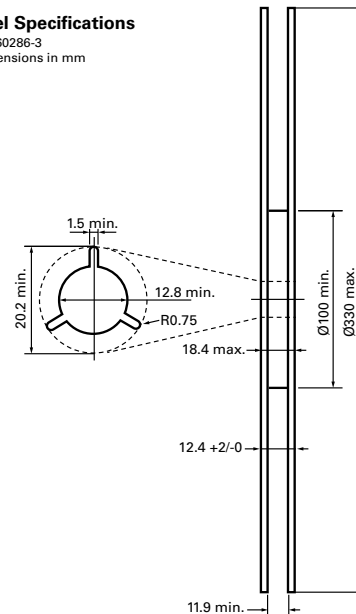
Tape Specifications

IEC 60286-3
Dimensions in mm



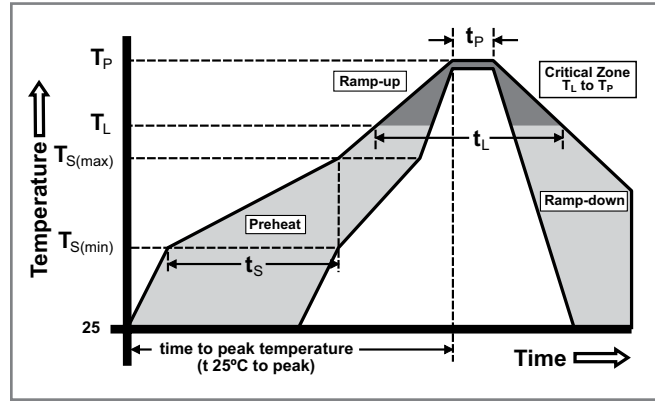
Reel Specifications

IEC 60286-3
Dimensions in mm

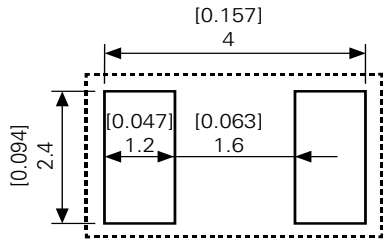
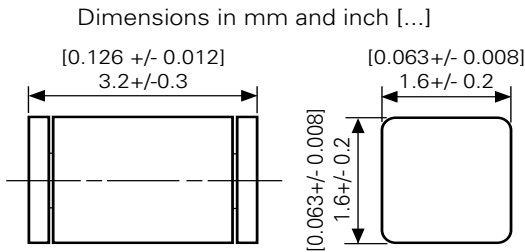


Soldering Parameters - Reflow Soldering (Surface Mount Devices)

| | | |
|--|------------------------------------|-------------------------|
| Reflow Condition | | Pb – Free assembly |
| Pre Heat | - Temperature Min ($T_{s(min)}$) | 150°C |
| | - Temperature Max ($T_{s(max)}$) | 200°C |
| | - Time (Min to Max) (t_s) | 60 – 180 secs |
| Average ramp up rate (Liquidus Temp (T_L) to peak) | | 3°C/second max |
| $T_{s(max)}$ to T_L - Ramp-up Rate | | 5°C/second max |
| Reflow | - Temperature (T_L) (Liquidus) | 217°C |
| | - Temperature (t_L) | 60 – 150 seconds |
| Peak Temperature (T_p) | | 260 ^{+0/-5} °C |
| Time within 5°C of actual peak Temperature (t_p) | | 10 – 30 seconds |
| Ramp-down Rate | | 6°C/second max |
| Time 25°C to peak Temperature (T_p) | | 8 minutes Max. |
| Do not exceed | | 260°C |

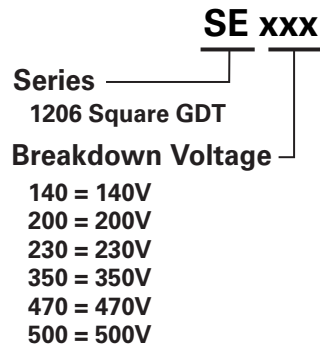


Device Dimensions



Recommended Pad Layout

Part Numbering System and Ordering Information



Packaging

| Part Number | Packaging Option | Quantity |
|-------------|------------------|----------|
| SE140 | Tape and Reel | 3,000 |
| SE200 | Tape and Reel | 3,000 |
| SE230 | Tape and Reel | 3,000 |
| SE350 | Tape and Reel | 3,000 |
| SE470 | Tape and Reel | 3,000 |
| SE500 | Tape and Reel | 3,000 |