

## 阅读申明

- 1.本站收集的数据手册和产品资料都来自互联网，版权归原作者所有。如读者和版权方有任何异议请及时告之，我们将妥善解决。
- 2.本站提供的中文数据手册是英文数据手册的中文翻译，其目的是协助用户阅读，该译文无法自动跟随原稿更新，同时也可能存在翻译上的不当。建议读者以英文原稿为参考以便获得更精准的信息。
- 3.本站提供的产品资料，来自厂商的技术支持或者使用者的心得体会等，其内容可能存在描述上的差异，建议读者做出适当判断。
- 4.如需与我们联系，请发邮件到marketing@iczoom.com，主题请标有“数据手册”字样。

## Read Statement

1. The datasheets and other product information on the site are all from network reference or other public materials, and the copyright belongs to the original author and original published source. If readers and copyright owners have any objections, please contact us and we will deal with it in a timely manner.
2. The Chinese datasheets provided on the website is a Chinese translation of the English datasheets. Its purpose is for reader's learning exchange only and do not involve commercial purposes. The translation cannot be automatically updated with the original manuscript, and there may also be improper translations. Readers are advised to use the English manuscript as a reference for more accurate information.
3. All product information provided on the website refer to solutions from manufacturers' technical support or users the contents may have differences in description, and readers are advised to take the original article as the standard.
4. If you have any questions, please contact us at marketing@iczoom.com and mark the subject with "Datasheets" .

AC and CG3 Series

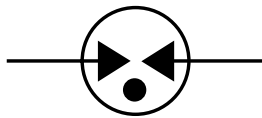


**Agency Approvals**

| AGENCY | AGENCY FILE NUMBER |
|--------|--------------------|
|        | E320116*           |

\*NOTE: CG3 7.5 product UL approval is currently pending

**2 Electrode GDT Graphical Symbol**



**Additional Information**



**Datasheet  
AC Series**



**Resources  
AC Series**



**Samples  
AC Series**



**Datasheet  
CG3 Series**



**Resources  
CG3 Series**



**Samples  
CG3 Series**

**Description**

Littelfuse AC series two-electrode line protectors provide a high degree of surge protection in AC line applications. The two models, AC120 and AC240 are designed for use with 120VAC and 240VAC lines respectively. They are able to extinguish AC follow-on currents of at least 200A.

Littelfuse CG3 two electrode high voltage (1.0 - 7.5 KV) devices are designed for surge protection and high isolation applications, and for applications for which bias voltages or signal levels of several hundred volts are normally present.

**Features**

- Rugged ceramic-metal construction
- Available in tape-and-reel packaging
- Low capacitance (<1.5 pF)
- Available with or without leads

**Applications**

- AC Series:**
- Long branch circuits (AC wall outlet)
  - Short branch circuits (at breaker box, computer, etc)
  - Power supplies
  - Test equipment
  - Submersible pumps
  - Medical electronics
- CG3 Series:**
- CRT terminals
  - CATV equipment
  - Antennas
  - Power supplies
  - Medical electronics

### Electrical Characteristics

| Part Number              | Device Dimension Type | Device Specifications (at 25°C) |      |      |  |  |                       |                     | Life Ratings                             |                                    |   |  |  |  |
|--------------------------|-----------------------|---------------------------------|------|------|--|--|-----------------------|---------------------|--|------------------------------------|---|--|--|--|
|                          |                       | DC Breakdown in Volts (@100V/s) |      |      | Impulse Break-down in Volts (@100V/μs) | Impulse Break-down In Volts (@1 Kv/μsec) | Insulation Resistance | Capacitance (@1MHz) | Arc Voltage (on state Voltage) @1Amp Min | Max Follow On Current <sup>3</sup> | Nominal AC Discharge Current (10x1sec @50-60Hz) | AC Discharge Current (1 x 50Hz 9 cycles) | Nominal Impulse Discharge Current <sup>4</sup> (@8/20μs) | Max Surge Current <sup>5</sup> (@8/20μs) |
|                          |                       | MIN                             | TYP  | MAX  | MAX                                    |  | MIN                   | MAX                 | TYP                                      |                                    |   |  |  |  |
| AC120 <sup>1</sup>       | A                     | 230                             | 285  | 340  | 500                                    | 550                                      | 10 GΩ (at 100V)       | <1.5 pf             | ~ 25 V                                   | 200 Amps                           | 5 A   | 65 A                                     | 10 shots 5kA   | 1 shot 10kA                              |
| AC240 <sup>1</sup>       | A                     | 480                             | 600  | 720  | 1100                                   | 1200                                     |                       |                     |  |                                    |   |  |  |  |
| CG3 1.0 <sup>1</sup>     | A                     | 800                             | 1000 | 1200 | 1400                                   | 1500                                     | 10 GΩ (at 100V)       | <1.5 pf             | ~ 25 V                                   | 200 Amps                           | N/A   | N/A                                      | 10 shots 5kA   | 1 shot 10kA                              |
| CG3 1.1 <sup>1</sup>     | A                     | 880                             | 1100 | 1320 | 1600                                   | 1700                                     |                       |                     |  |                                    |   |  |  |  |
| CG3 1.2 <sup>1</sup>     | A                     | 960                             | 1200 | 1440 | 1700                                   | 1800                                     |                       |                     |  |                                    |   |  |  |  |
| CG3 1.3 <sup>1</sup>     | A                     | 1040                            | 1300 | 1560 | 1800                                   | 1900                                     |                       |                     |  |                                    |   |  |  |  |
| CG3 1.5 <sup>1</sup>     | A                     | 1200                            | 1500 | 1800 | 1800                                   | 2000                                     |                       |                     |  |                                    |   |  |  |  |
| CG3 2.0 <sup>1</sup>     | A                     | 1600                            | 2000 | 2400 | 2500                                   | 2750                                     |                       |                     |  |                                    |   |  |  |  |
| CG3 2.5 <sup>1</sup>     | A                     | 2000                            | 2500 | 3000 | 3200                                   | 3500                                     |                       |                     |  |                                    |   |  |  |  |
| CG3 2.7 <sup>1</sup>     | A                     | 2160                            | 2700 | 3240 | 3600                                   | 4000                                     |                       |                     |  |                                    |   |  |  |  |
| CG3 3.0 <sup>1</sup>     | A                     | 2400                            | 3000 | 3600 | 4000                                   | 4200                                     |                       |                     |  |                                    |   |  |  |  |
| CG3 3.3 <sup>1</sup>     | A                     | 2640                            | 3300 | 3960 | 4600                                   | 4700                                     |                       |                     |  |                                    |   |  |  |  |
| CG3 4.0 <sup>2</sup>     | B                     | 3200                            | 4000 | 4800 | 5800                                   | 6000                                     |                       |                     |  |                                    |   |  |  |  |
| CG3 4.5 <sup>2</sup>     | B                     | 3600                            | 4500 | 5400 | 6150                                   | 6500                                     |                       |                     |  |                                    |   |  |  |  |
| CG3 5.0 <sup>2</sup>     | B                     | 4000                            | 5000 | 6000 | 7500                                   | 8000                                     |                       |                     |  |                                    |   |  |  |  |
| CG3 6.2 <sup>2,7</sup>   | B                     | 4960                            | 6200 | 7440 | 8100                                   | 9500                                     |                       |                     |  |                                    |   |  |  |  |
| CG3 6.5 <sup>2,7</sup>   | B                     | 5200                            | 6500 | 7800 | 9500                                   | 10000                                    |                       |                     |  |                                    |   |  |  |  |
| CG3 7.5 <sup>2,6,7</sup> | B                     | 6000                            | 7500 | 9000 | 10000                                  | 10600                                    |                       |                     |  |                                    |   |  |  |  |

#### NOTES:

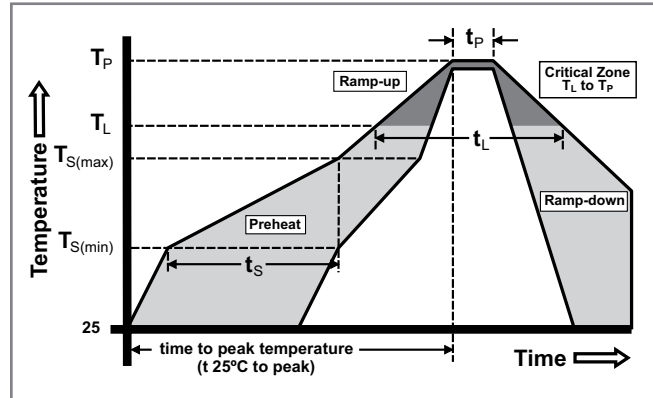
- Refer to Production Dimensions section, outline A devices
- Refer to Production Dimensions section, outline B devices
- Tested to UL1449 – 120V r.m.s. for AC120, 230V r.m.s. all others.  
Conducted with suitable MOV connected in series.
- 10 x [5(+) and 5(-)] applications 5kA @ 8/20μs
- 1 x [1(+) and 1(-)] application 10kA @ 8/20μs
- CG3 7.5 product UL approval is currently pending
- When ordering this item, use suffix code D004 when entering the part number.  
The older product version without D004 suffix code has been discontinued.  
Refer to Part Numbering System section for additional information.

### Product Characteristics

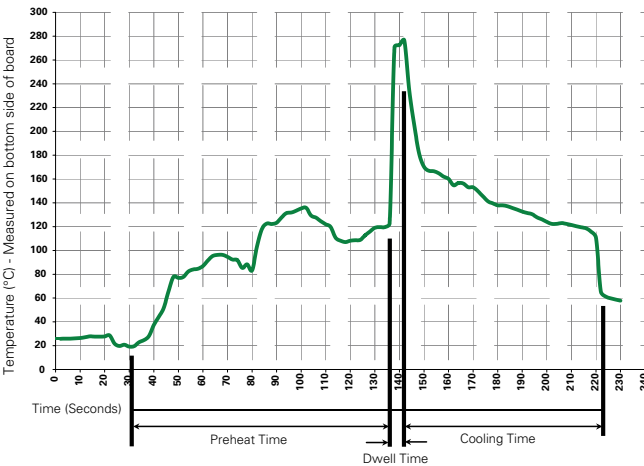
|  |  |
|--|--|
| <b>Materials</b>                           | <b>Core Outline A &amp; B items:</b><br>Device: Tin Plated 17.5±12.5 Microns<br><br><b>Axial Outline A &amp; B items:</b><br>Device & Wire: Tin Plated 17.5±12.5 Microns |
| <b>Product Marking</b>                     | LF Logo, Voltage and date code;<br>Black ink positive print  |
| <b>Glow to arc transition current</b>      | < 0.5Amps  |
| <b>Glow Voltage</b>                        | ~ 140 Volts  |
| <b>Storage and Operational Temperature</b> | -40 to +90   |

**Soldering Parameters - Reflow Soldering (Surface Mount Devices)**

|  |                                    |                         |
|--|------------------------------------|-------------------------|
| Reflow Condition                                       |                                    | Pb – Free assembly      |
| Pre Heat   | - Temperature Min ( $T_{s(min)}$ ) | 150°C                   |
|  | - Temperature Max ( $T_{s(max)}$ ) | 200°C                   |
|  | - Time (Min to Max) ( $t_s$ )      | 60 – 180 secs           |
| Average ramp up rate (Liquidus Temp ( $T_L$ ) to peak) |                                    | 3°C/second max          |
| $T_{s(max)}$ to $T_L$ - Ramp-up Rate                   |                                    | 5°C/second max          |
| Reflow   | - Temperature ( $T_L$ ) (Liquidus) | 217°C                   |
|  | - Temperature ( $t_l$ )            | 60 – 150 seconds        |
| Peak Temperature ( $T_p$ )                             |                                    | 260 <sup>+0/-5</sup> °C |
| Time within 5°C of actual peak Temperature ( $t_p$ )   |                                    | 10 – 30 seconds         |
| Ramp-down Rate   |                                    | 6°C/second max          |
| Time 25°C to peak Temperature ( $T_p$ )                |                                    | 8 minutes Max.          |
| Do not exceed  |                                    | 260°C                   |



**Soldering Parameters - Wave Soldering (Thru-Hole Devices)**



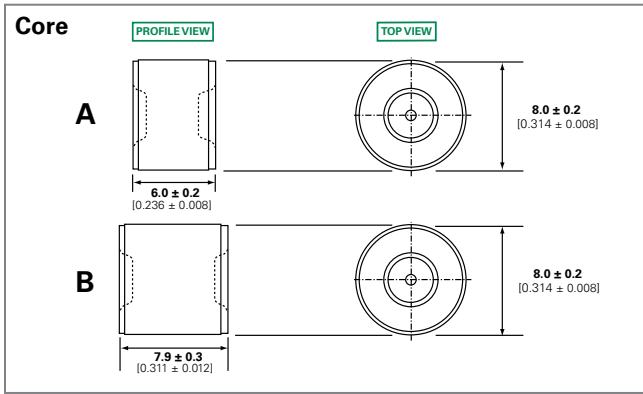
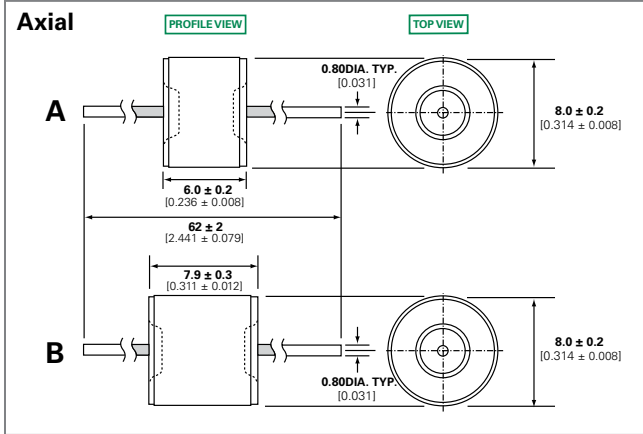
**Recommended Process Parameters:**

| Wave Parameter  | Lead-Free Recommendation |
|---|--------------------------|
| <b>Preheat:</b><br>(Depends on Flux Activation Temperature) (Typical Industry Recommendation) |                          |
| Temperature Minimum:  | 100° C                   |
| Temperature Maximum:  | 150° C                   |
| Preheat Time:   | 60-180 seconds           |
| <b>Solder Pot Temperature:</b>  | 280° C Maximum           |
| <b>Solder Dwell Time:</b>   | 2-5 seconds              |

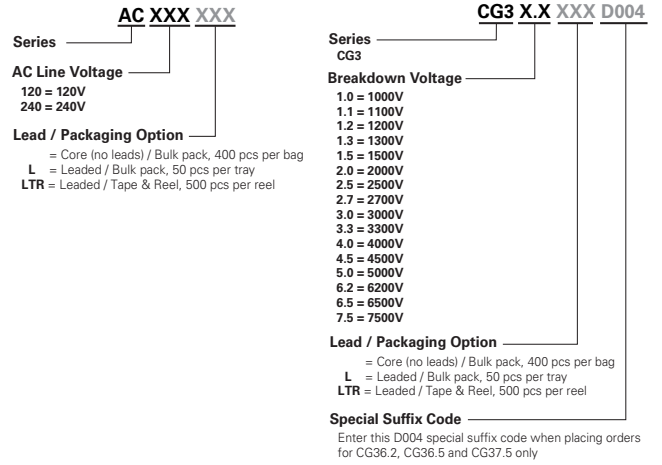
**Soldering Parameters - Hand Soldering**

Solder Iron Temperature: 350° C +/- 5°C  
Heating Time: 5 seconds max.

### Device Dimensions



### Part Numbering System and Ordering Information



### Packaging Dimensions

