

## 阅读申明

- 1.本站收集的数据手册和产品资料都来自互联网，版权归原作者所有。如读者和版权方有任何异议请及时告之，我们将妥善解决。
- 2.本站提供的中文数据手册是英文数据手册的中文翻译，其目的是协助用户阅读，该译文无法自动跟随原稿更新，同时也可能存在翻译上的不当。建议读者以英文原稿为参考以便获得更精准的信息。
- 3.本站提供的产品资料，来自厂商的技术支持或者使用者的心得体会等，其内容可能存在描述上的差异，建议读者做出适当判断。
- 4.如需与我们联系，请发邮件到marketing@iczoom.com，主题请标有“数据手册”字样。

## Read Statement

1. The datasheets and other product information on the site are all from network reference or other public materials, and the copyright belongs to the original author and original published source. If readers and copyright owners have any objections, please contact us and we will deal with it in a timely manner.
2. The Chinese datasheets provided on the website is a Chinese translation of the English datasheets. Its purpose is for reader's learning exchange only and do not involve commercial purposes. The translation cannot be automatically updated with the original manuscript, and there may also be improper translations. Readers are advised to use the English manuscript as a reference for more accurate information.
3. All product information provided on the website refer to solutions from manufacturers' technical support or users the contents may have differences in description, and readers are advised to take the original article as the standard.
4. If you have any questions, please contact us at marketing@iczoom.com and mark the subject with "Datasheets" .

# Switching Gas Discharge Tubes

## Gas Plasma Voltage Dependent Switches

### RoHS VS Series

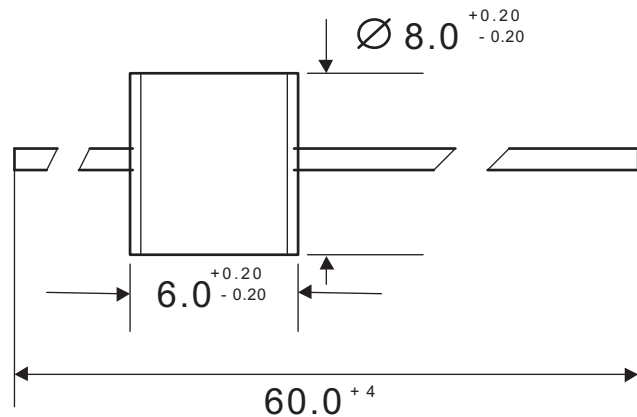
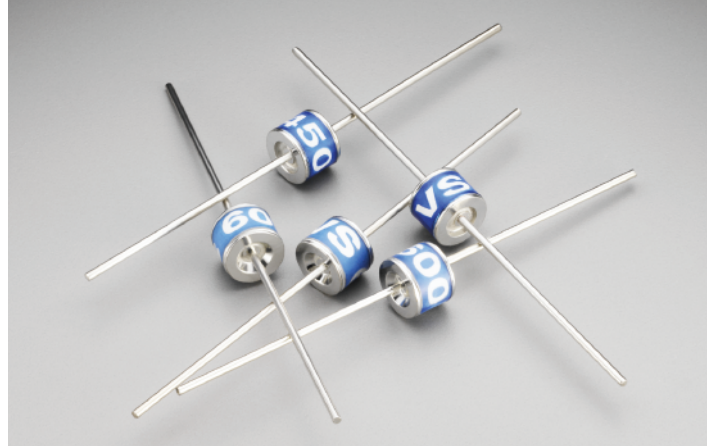
The VS Series is a 2-terminal bi-directional, voltage triggered switch designed for gas fuel ignition systems and similar circuits. Switching voltages for the devices are fixed depending on the part number selected. The gas plasma trigger technology offers very fast switching speeds, resulting in significantly better di/dt values when compared to silicon based SIDAC devices. Due to the high switching voltage of the devices, step-up transformer sizes and specifications can be reduced saving cost, size and weight.

#### Features

- RoHS compliant
- Ceramic chamber for ultimate reliability.
- Very high switching speed once switching voltage has been reached, resulting in high di/dt to be generated enabling the best performance to be extracted from ignition transformers.

#### Applications

- For switching stored electrical energy (such as capacitive discharge) at predetermined voltages.
- Designed for in gas fuel ignition systems and similar circuits.



#### Mechanical Specifications:

- Weight:** 1.42g (0.049oz.)  
**Materials:** Electrode Base: Copper alloy  
 Electrode Plating material: Bright Sn  
 Body: Ceramic  
**Device Marking:** Littelfuse 'LF' marking, voltage and product code

# Switching Gas Discharge Tubes

## Gas Plasma Voltage Dependent Switches

### RoHS VS Series

#### Device Ratings and Specifications

Part Number	V <sub>BO</sub> <sup>(1)</sup> (V)	V <sub>T</sub>	I <sub>DRM</sub> <sup>(2)</sup> (A)	I <sub>BO</sub> <sup>(3)</sup> (mA)	Capacitance	V <sub>BO</sub> to V <sub>T</sub> (nS)
VS230	200 – 255	15	1.0	50	2.0	25
VS450	350 – 550	15	1.0	50	2.0	25
VS600	400 – 750	15	1.0	50	2.0	25

#### Electrical Life:

Maximum Increase in V<sub>BO</sub><sup>(1)</sup> ..... 25 V  
 Switching Operations<sup>(6)</sup> ..... 1,000,000

#### Maximum Ratings:

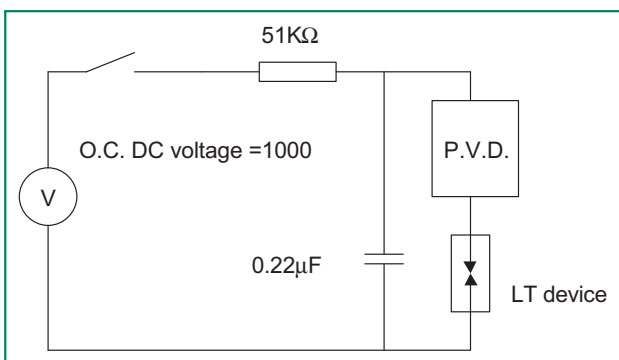
Surge On-State Current<sup>(5)</sup> ..... 1000A  
 Storage Temperature T<sub>STG</sub> ..... -40 - +150°C  
 Operating Temperature ..... -40 - +150°C

#### Notes:

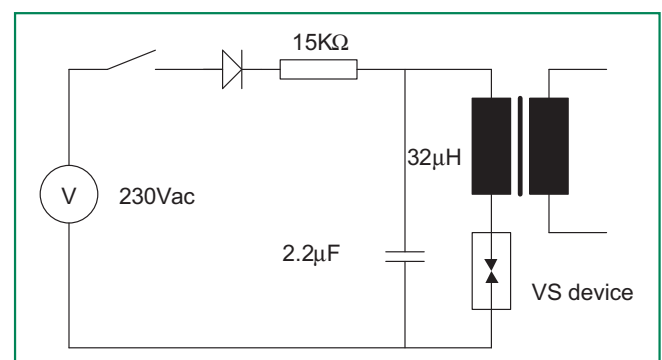
- (1) Measured on recommended test circuit (fig 1.)
- (2) Measured @ 100 Volts DC
- (3) Current required for transition to on-state
- (4) Measured @ 1 MHz, zero Volt bias
- (5) Using 8/20μs double exponential pulse
- (6) Measured on recommended test circuit (fig 2.)

#### Definitions:

- V<sub>BO</sub> – Breakover Voltage
- V<sub>T</sub> – Voltage when device is fully conduction – arc voltage
- I<sub>DRM</sub> – Off-state Current
- I<sub>BO</sub> – Nominal Breakover Current
- V<sub>BO</sub> to V<sub>T</sub> – Max switching time from V<sub>BO</sub> to V<sub>T</sub>



**Fig 1.** Recommended breakover voltage test circuit  
 (Discharge current = 10-20mA; Sensitivity of peak voltage detect = 10-30mA)



**Fig 2.** Recommended Life Test Circuit