

## 阅读申明

- 1.本站收集的数据手册和产品资料都来自互联网，版权归原作者所有。如读者和版权方有任何异议请及时告之，我们将妥善解决。
- 2.本站提供的中文数据手册是英文数据手册的中文翻译，其目的是协助用户阅读，该译文无法自动跟随原稿更新，同时也可能存在翻译上的不当。建议读者以英文原稿为参考以便获得更精准的信息。
- 3.本站提供的产品资料，来自厂商的技术支持或者使用者的心得体会等，其内容可能存在描述上的差异，建议读者做出适当判断。
- 4.如需与我们联系，请发邮件到marketing@iczoom.com，主题请标有“数据手册”字样。

## Read Statement

1. The datasheets and other product information on the site are all from network reference or other public materials, and the copyright belongs to the original author and original published source. If readers and copyright owners have any objections, please contact us and we will deal with it in a timely manner.
2. The Chinese datasheets provided on the website is a Chinese translation of the English datasheets. Its purpose is for reader's learning exchange only and do not involve commercial purposes. The translation cannot be automatically updated with the original manuscript, and there may also be improper translations. Readers are advised to use the English manuscript as a reference for more accurate information.
3. All product information provided on the website refer to solutions from manufacturers' technical support or users the contents may have differences in description, and readers are advised to take the original article as the standard.
4. If you have any questions, please contact us at marketing@iczoom.com and mark the subject with "Datasheets" .

# HBL5006 Series

## LED Shunt

The HBL5006 Series are electronic shunts which provide a current bypass in the case of LEDs going into open circuit. LEDs are by nature quite fragile when subjected to transients and surge conditions. There are also many cases where high reliability of the LED lighting must be maintained such as in headlights, lighthouses, bridges, aircraft, runways and so forth. In these cases the low cost addition of the shunt device will provide full assurance that an entire string of LEDs will not extinguish should one LED fail open. The shunt device is also applicable to other loads where circuit continuity is required. The devices are designed to be used with LED string currents from 50 to 350 mA.

### Features

- Protection for the Following IEC Standards:  
IEC 61000-4-2 (Level 4)  
ISO 10605
- Low ESD Clamping Voltage
- Automatically Resets Itself if the LED Heals Itself or is Replaced
- ON-State Voltage Typically 1.1 V
- OFF-State Current less than 1.0  $\mu$ A
- SZ Prefix for Automotive and Other Applications Requiring Unique Site and Control Change Requirements; AEC-Q101 Qualified and PPAP Capable
- These Devices are Pb-Free and are RoHS Compliant

### Typical Applications

- LEDs where Preventive Maintenance is Impractical
- LED Headlights in Automobiles
- Automotive LED Applications
- LEDs with High Reliability Requirements
- Crowbar Protection for Open Circuit Conditions
- Overvoltage Protection for Sensitive Circuits



**ON Semiconductor®**

<http://onsemi.com>

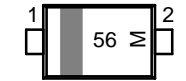
### MARKING DIAGRAMS



**SOD-323  
CASE 477**



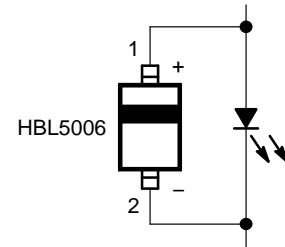
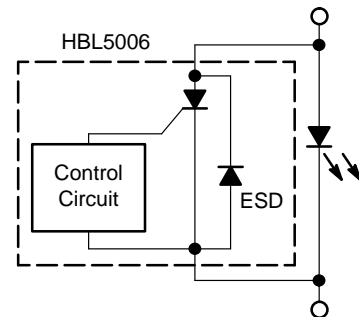
**SOD-523  
CASE 502**



**SOD-923  
CASE 514AB**



XX = Specific Device Code  
M = Date Code



Apply heat sinking to pin 2

### ORDERING INFORMATION

See detailed ordering and shipping information in the package dimensions section on page 5 of this data sheet.

## HBL5006 Series

### MAXIMUM RATINGS

| Rating  |                  | Symbol        | Value      | Unit               |
|---|------------------|---------------|------------|--------------------|
| On-State Current, ( $T_A = 25^\circ\text{C}$ ) (Note 2) | SOD-323 (Note 1) | $I_{T(AVG)}$  | 250        | mA                 |
|   | SOD-323 (Note 2) |               | 200        |                    |
|   | SOD-523 (Note 1) |               | 300        |                    |
|   | SOD-523 (Note 2) |               | 250        |                    |
|   | SOD-923 (Note 1) |               | 350        |                    |
|   | SOD-923 (Note 2) |               | 300        |                    |
| Thermal Resistance, Junction-to-Air (All Packages)      | SOD-323 (Note 1) | $\theta_{JA}$ | 435        | $^\circ\text{C/W}$ |
|   | SOD-323 (Note 2) |               | 550        |                    |
|   | SOD-523 (Note 1) |               | 360        |                    |
|   | SOD-523 (Note 2) |               | 435        |                    |
|   | SOD-923 (Note 1) |               | 285        |                    |
|   | SOD-923 (Note 2) |               | 360        |                    |
| Operating Temperature Range                             | (Note 3)         | $T_J$         | -40 to 150 | $^\circ\text{C}$   |
| Non-Operating Temperature Range                         |                  | $T_J$         | 150        | $^\circ\text{C}$   |
| Lead Temperature, Soldering (10 Sec)                    |                  | $T_L$         | 260        | $^\circ\text{C}$   |
| IEC 61000-4-2 Contact (ESD)                             |                  | ESD           | $\pm 15$   | kV                 |
| IEC 61000-4-2 Air (ESD)                                 |                  | ESD           | $\pm 15$   |                    |

Stresses exceeding those listed in the Maximum Ratings table may damage the device. If any of these limits are exceeded, device functionality should not be assumed, damage may occur and reliability may be affected.

1. Mounted onto a 2-layer, 1000 mm<sup>2</sup> per layer, 3 oz Cu, FR4 PCB with pin 2 connected to the heat sink and pin 1 only connected to a signal trace. The heat sinking must be connected to pin 2, which is the LED cathode connection.

Normally this device would be mounted on the same copper heat sink and adjacent to the LED(s). If the LED(s) were to go open, then the HBL shunt would now dissipate the power using the same copper heat sink. Since the shunt has a voltage that is nominally 30% of the LED, then the power dissipation would be much lower, and easily handled by the same heat sink as the LED.

2. Mounted onto a 2-layer, 50 mm<sup>2</sup> per layer, 1 oz Cu, FR4 PCB.

3. Max operating temperature for DC conditions is 150 $^\circ\text{C}$ , but not to exceed 175 $^\circ\text{C}$  for pulsed conditions with low duty cycle or non-repetitive.

# HBL5006 Series

## ELECTRICAL CHARACTERISTICS (Unless otherwise noted: $T_A = 25^\circ\text{C}$ )

| Symbol   | Characteristics  | Package | Min | Typ         | Max | Unit          |
|----------|--|---------|-----|-------------|-----|---------------|
| $V_{BR}$ | Breakdown Voltage: The minimum voltage across the device in or at the breakdown region. Measured at $I_{BR} = 1 \text{ mA}$ .  | SOD-323 | 6.2 | 7.0         |     | V             |
|          |  | SOD-523 | 6.2 | 7.0         |     |               |
|          |  | SOD-923 | 6.2 | 7.0         |     |               |
| $I_H$    | Holding Current: The minimum current required to maintain the device in the on-state.  | SOD-323 |     | 25          | 40  | mA            |
|          |  | SOD-523 |     | 25          | 40  |               |
|          |  | SOD-923 |     | 25          | 40  |               |
| $I_L$    | Latching Current: The minimum current required to turn from the off-state to the on-state.   | SOD-323 |     | 9.0         |     | mA            |
|          |  | SOD-523 |     | 9.0         |     |               |
|          |  | SOD-923 |     | 9.0         |     |               |
| $V_{BO}$ | Breakover Voltage: The voltage across the device in the breakover region.  | SOD-323 | 6.5 | 7.2         | 8.0 | V             |
|          |  | SOD-523 | 6.5 | 7.2         | 8.0 |               |
|          |  | SOD-923 | 6.5 | 7.2         | 8.0 |               |
| $I_R$    | Off-State Current: The dc value of current that results from the application of the off-state voltage. Measured at 3.3 V.  | SOD-323 |     |             | 1.0 | $\mu\text{A}$ |
|          |  | SOD-523 |     |             | 1.0 |               |
|          |  | SOD-923 |     |             | 1.0 |               |
| $V_T$    | On-State Voltage. Measured at 100 mA.  | SOD-323 | 0.9 | 1.1         | 1.3 | V             |
|          |  | SOD-523 | 0.9 | 1.1         | 1.3 |               |
|          |  | SOD-923 | 0.9 | 1.1         | 1.3 |               |
| $V_C$    | Clamping Voltage<br>TLP (Note 4)<br><br>$I_{PP} = 8 \text{ A}$ } IEC 6100-4-2 Level 2 equivalent<br>( $\pm 4 \text{ kV}$ Contact, $\pm 4 \text{ kV}$ Air)<br><br>$I_{PP} = 16 \text{ A}$ } IEC 6100-4-2 Level 4 equivalent<br>( $\pm 8 \text{ kV}$ Contact, $\pm 15 \text{ kV}$ Air) | SOD-323 |     | 6.5<br>11.2 |     | V             |
|          |  | SOD-523 |     | 6.5<br>11.2 |     |               |
|          |  | SOD-923 |     | 6.5<br>11.2 |     |               |

Product parametric performance is indicated in the Electrical Characteristics for the listed test conditions, unless otherwise noted. Product performance may not be indicated by the Electrical Characteristics if operated under different conditions.

4. ANSI/ESD STM5.5.1 – Electrostatic Discharge Sensitivity Testing using Transmission Line Pulse (TLP) Model TLP conditions:  $Z_0 = 50 \Omega$ ,  $t_p = 100 \text{ ns}$ ,  $t_r = 4 \text{ ns}$ , averaging window;  $t_1 = 30 \text{ ns}$  to  $t_2 = 60 \text{ ns}$ .

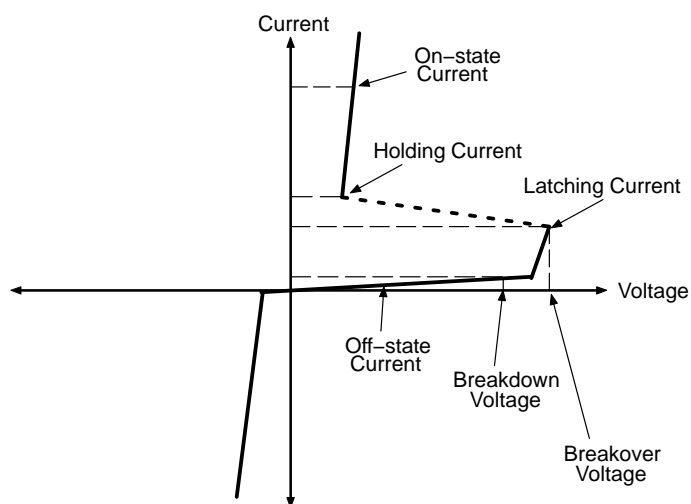


Figure 1. I-V Characteristics

# HBL5006 Series

## TYPICAL APPLICATION CIRCUIT

Typical Application Circuit for HBL5006

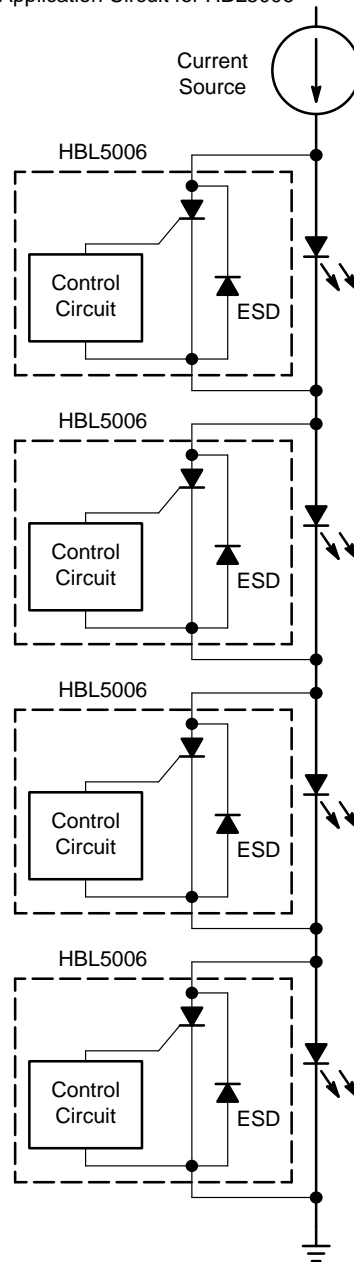


Figure 2. Typical Application Circuit

# HBL5006 Series

## DEVICE ORDERING INFORMATION

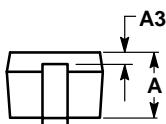
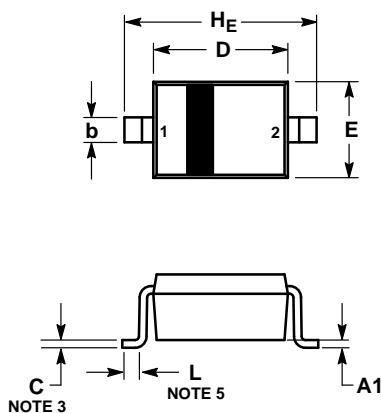
| Device           | Marking | Package              | Shipping†          |
|------------------|---------|----------------------|--------------------|
| HBL5006HT1G      | HD      | SOD-323<br>(Pb-Free) | 3000 / Tape & Reel |
| SZHBL5006HT1G*   | HD      |                      |                    |
| HBL5006XV2T1G    | 56      | SOD-523<br>(Pb-Free) | 3000 / Tape & Reel |
| SZHBL5006XV2T1G* | 56      |                      |                    |
| HBL5006P2T5G     | LD      | SOD-923<br>(Pb-Free) | 8000 / Tape & Reel |
| SZHBL5006P2T5G*  | LD      |                      |                    |

†For additional information on our Pb-Free strategy and soldering details, please download the ON Semiconductor Soldering and Mounting Techniques Reference Manual, SOLDERRM/D.

\*SZ Prefix for Automotive and Other Applications Requiring Unique Site and Control Change Requirements; AEC-Q101 Qualified and PPAP Capable.

## PACKAGE DIMENSIONS

**SOD-323**  
CASE 477-02  
ISSUE H

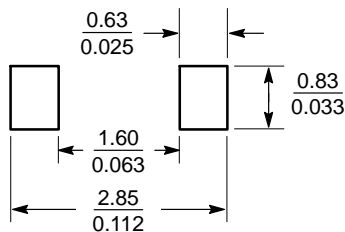


### NOTES:

1. DIMENSIONING AND TOLERANCING PER ANSI Y14.5M, 1982.
2. CONTROLLING DIMENSION: MILLIMETERS.
3. LEAD THICKNESS SPECIFIED PER L/F DRAWING WITH SOLDER PLATING.
4. DIMENSIONS A AND B DO NOT INCLUDE MOLD FLASH, PROTRUSIONS OR GATE BURRS.
5. DIMENSION L IS MEASURED FROM END OF RADIUS.

| DIM | MILLIMETERS |      |       | INCHES    |       |       |
|-----|-------------|------|-------|-----------|-------|-------|
|     | MIN         | NOM  | MAX   | MIN       | NOM   | MAX   |
| A   | 0.80        | 0.90 | 1.00  | 0.031     | 0.035 | 0.040 |
| A1  | 0.00        | 0.05 | 0.10  | 0.000     | 0.002 | 0.004 |
| A3  | 0.15 REF    |      |       | 0.006 REF |       |       |
| b   | 0.25        | 0.32 | 0.4   | 0.010     | 0.012 | 0.016 |
| C   | 0.089       | 0.12 | 0.177 | 0.003     | 0.005 | 0.007 |
| D   | 1.60        | 1.70 | 1.80  | 0.062     | 0.066 | 0.070 |
| E   | 1.15        | 1.25 | 1.35  | 0.045     | 0.049 | 0.053 |
| L   | 0.08        |      |       | 0.003     |       |       |
| HE  | 2.30        | 2.50 | 2.70  | 0.090     | 0.098 | 0.105 |

## SOLDERING FOOTPRINT\*

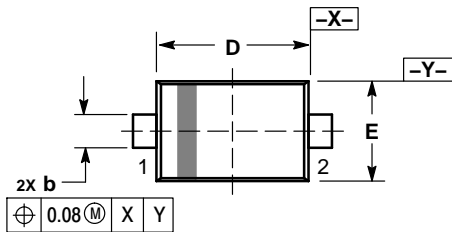


\*For additional information on our Pb-Free strategy and soldering details, please download the ON Semiconductor Soldering and Mounting Techniques Reference Manual, SOLDERRM/D.

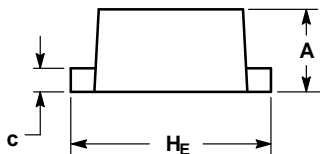
# HBL5006 Series

## PACKAGE DIMENSIONS

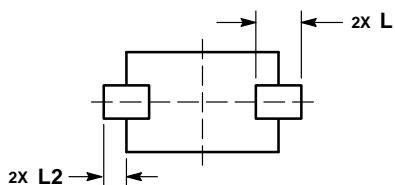
SOD-523  
CASE 502  
ISSUE E



TOP VIEW



SIDE VIEW



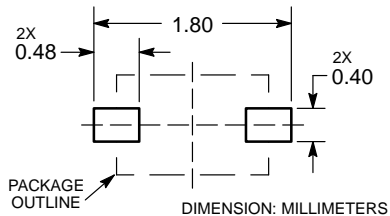
BOTTOM VIEW

NOTES:

6. DIMENSIONING AND TOLERANCING PER ASME Y14.5M, 1994.
7. CONTROLLING DIMENSION: MILLIMETERS.
8. MAXIMUM LEAD THICKNESS INCLUDES LEAD FINISH. MINIMUM LEAD THICKNESS IS THE MINIMUM THICKNESS OF BASE MATERIAL.
9. DIMENSIONS D AND E DO NOT INCLUDE MOLD FLASH, PROTRUSIONS, OR GATE BURRS.

| DIM | MILLIMETERS |      |      |
|-----|-------------|------|------|
|     | MIN         | NOM  | MAX  |
| A   | 0.50        | 0.60 | 0.70 |
| b   | 0.25        | 0.30 | 0.35 |
| c   | 0.07        | 0.14 | 0.20 |
| D   | 1.10        | 1.20 | 1.30 |
| E   | 0.70        | 0.80 | 0.90 |
| H E | 1.50        | 1.60 | 1.70 |
| L   | 0.30 REF    |      |      |
| L2  | 0.15        | 0.20 | 0.25 |

### RECOMMENDED SOLDERING FOOTPRINT\*

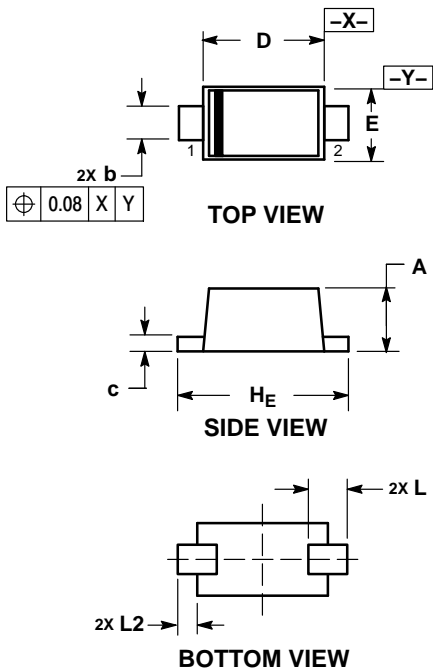


\*For additional information on our Pb-Free strategy and soldering details, please download the ON Semiconductor Soldering and Mounting Techniques Reference Manual, SOLDERRM/D.

# HBL5006 Series

## PACKAGE DIMENSIONS

SOD-923  
CASE 514AB  
ISSUE C

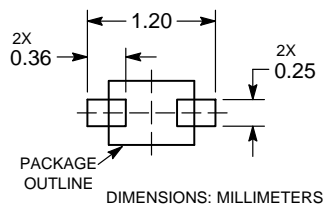


NOTES:

1. DIMENSIONING AND TOLERANCING PER ASME Y14.5M, 1994.
2. CONTROLLING DIMENSION: MILLIMETERS.
3. MAXIMUM LEAD THICKNESS INCLUDES LEAD FINISH. MINIMUM LEAD THICKNESS IS THE MINIMUM THICKNESS OF BASE MATERIAL.
4. DIMENSIONS D AND E DO NOT INCLUDE MOLD FLASH, PROTRUSIONS, OR GATE BURRS.

| DIM   | MILLIMETERS |      |      | INCHES    |       |       |
|-------|-------------|------|------|-----------|-------|-------|
|       | MIN         | NOM  | MAX  | MIN       | NOM   | MAX   |
| A     | 0.34        | 0.37 | 0.40 | 0.013     | 0.015 | 0.016 |
| b     | 0.15        | 0.20 | 0.25 | 0.006     | 0.008 | 0.010 |
| c     | 0.07        | 0.12 | 0.17 | 0.003     | 0.005 | 0.007 |
| D     | 0.75        | 0.80 | 0.85 | 0.030     | 0.031 | 0.033 |
| E     | 0.55        | 0.60 | 0.65 | 0.022     | 0.024 | 0.026 |
| $H_E$ | 0.95        | 1.00 | 1.05 | 0.037     | 0.039 | 0.041 |
| L     | 0.19 REF    |      |      | 0.007 REF |       |       |
| L2    | 0.05        | 0.10 | 0.15 | 0.002     | 0.004 | 0.006 |

SOLDERING FOOTPRINT\*



See Application Note AND8455/D for more mounting details

\*For additional information on our Pb-Free strategy and soldering details, please download the ON Semiconductor Soldering and Mounting Techniques Reference Manual, SOLDERRM/D.

ON Semiconductor and the are registered trademarks of Semiconductor Components Industries, LLC (SCILLC) or its subsidiaries in the United States and/or other countries. SCILLC owns the rights to a number of patents, trademarks, copyrights, trade secrets, and other intellectual property. A listing of SCILLC's product/patent coverage may be accessed at [www.onsemi.com/site/pdf/Patent-Marking.pdf](http://www.onsemi.com/site/pdf/Patent-Marking.pdf). SCILLC reserves the right to make changes without further notice to any products herein. SCILLC makes no warranty, representation or guarantee regarding the suitability of its products for any particular purpose, nor does SCILLC assume any liability arising out of the application or use of any product or circuit, and specifically disclaims any and all liability, including without limitation special, consequential or incidental damages. "Typical" parameters which may be provided in SCILLC data sheets and/or specifications can and do vary in different applications and actual performance may vary over time. All operating parameters, including "Typicals" must be validated for each customer application by customer's technical experts. SCILLC does not convey any license under its patent rights nor the rights of others. SCILLC products are not designed, intended, or authorized for use as components in systems intended for surgical implant into the body, or other applications intended to support or sustain life, or for any other application in which the failure of the SCILLC product could create a situation where personal injury or death may occur. Should Buyer purchase or use SCILLC products for any such unintended or unauthorized application, Buyer shall indemnify and hold SCILLC and its officers, employees, subsidiaries, affiliates, and distributors harmless against all claims, costs, damages, and expenses, and reasonable attorney fees arising out of, directly or indirectly, any claim of personal injury or death associated with such unintended or unauthorized use, even if such claim alleges that SCILLC was negligent regarding the design or manufacture of the part. SCILLC is an Equal Opportunity/Affirmative Action Employer. This literature is subject to all applicable copyright laws and is not for resale in any manner.

PUBLICATION ORDERING INFORMATION

LITERATURE FULFILLMENT:  
Literature Distribution Center for ON Semiconductor  
P.O. Box 5163, Denver, Colorado 80217 USA  
Phone: 303-675-2175 or 800-344-3860 Toll Free USA/Canada  
Fax: 303-675-2176 or 800-344-3867 Toll Free USA/Canada  
Email: [orderlit@onsemi.com](mailto:orderlit@onsemi.com)

N. American Technical Support: 800-282-9855 Toll Free  
USA/Canada  
Europe, Middle East and Africa Technical Support:  
Phone: 421 33 790 2910  
Japan Customer Focus Center  
Phone: 81-3-5817-1050

ON Semiconductor Website: [www.onsemi.com](http://www.onsemi.com)  
Order Literature: <http://www.onsemi.com/orderlit>

For additional information, please contact your local Sales Representative