

阅读申明

- 1.本站收集的数据手册和产品资料都来自互联网，版权归原作者所有。如读者和版权方有任何异议请及时告之，我们将妥善解决。
- 2.本站提供的中文数据手册是英文数据手册的中文翻译，其目的是协助用户阅读，该译文无法自动跟随原稿更新，同时也可能存在翻译上的不当。建议读者以英文原稿为参考以便获得更精准的信息。
- 3.本站提供的产品资料，来自厂商的技术支持或者使用者的心得体会等，其内容可能存在描述上的差异，建议读者做出适当判断。
- 4.如需与我们联系，请发邮件到marketing@iczoom.com，主题请标有“数据手册”字样。

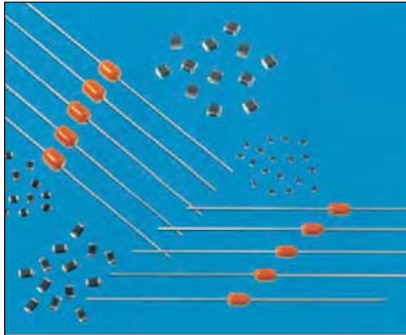
Read Statement

1. The datasheets and other product information on the site are all from network reference or other public materials, and the copyright belongs to the original author and original published source. If readers and copyright owners have any objections, please contact us and we will deal with it in a timely manner.
2. The Chinese datasheets provided on the website is a Chinese translation of the English datasheets. Its purpose is for reader's learning exchange only and do not involve commercial purposes. The translation cannot be automatically updated with the original manuscript, and there may also be improper translations. Readers are advised to use the English manuscript as a reference for more accurate information.
3. All product information provided on the website refer to solutions from manufacturers' technical support or users the contents may have differences in description, and readers are advised to take the original article as the standard.
4. If you have any questions, please contact us at marketing@iczoom.com and mark the subject with "Datasheets" .

Axial TransGuard® and StaticGuard



AVX Axial Multilayer Ceramic Transient Voltage Suppressors



GENERAL DESCRIPTION

Axial TransGuard® multilayer varistors are zinc oxide (ZnO) based ceramic semiconductor devices with non-linear voltage-current characteristics (bi-directional) similar to back-to-back zener diodes. They have the added advantage of greater current and energy handling capabilities as well as EMI/RFI attenuation.

Axial StaticGuard is low capacitance version of the TransGuard and are designed for general ESD protection of CMOS, Bi-Polar, and SiGe based systems.

AVX Axial varistors are designed for applications where leaded component is preferred and for durability in harsh environment.

GENERAL CHARACTERISTICS

- Operating Temperatures: -55°C to +125°C
- Working Voltage: 3.3 - 60Vdc
- Case Size: Axial
- Energy: 0.1 - 2.0J
- Peak Current: 30 - 300A

FEATURES

- Axial leaded, epoxy encapsulated
- Fast Response
- EMI/RFI filtering in the off-state
- Multiple strikes capability

APPLICATIONS

- White Goods
- Industrial Equipment
- Sensors
- Relays
- DC Motors
- and more

HOW TO ORDER - AXIAL TRANSGUARD®

VA	1000	18	D	400	R	L	
Varistor Axial	Case Size	Voltage	Energy Rating	Clamping Voltage	Packaging	Termination	
	1000 2000	03 = 3.3Vdc 05 = 5.6Vdc 14 = 14Vdc 18 = 18Vdc 26 = 26Vdc 30 = 30Vdc 48 = 48Vdc 60 = 60Vdc	A = 0.1J D = 0.4J K = 0.6J	100 = 12V 150 = 18V 300 = 32V 400 = 42V 580 = 60V 650 = 67V 101 = 100V 121 = 120V	D = 7" reel R = 7" reel T = 13" reel	L = Ni/Sn plated	

Packaging (Pcs/Reel:			
STYLE	D	R	T
VA1000	1,000	3,000	7,500
VA2000	1,000	2,500	5,000

HOW TO ORDER - AXIAL STATICGUARD

VA	10	LC	18	A	500	R	L
Varistor Axial	Case Size	Low Capacitance	Voltage	Energy Rating	Clamping Voltage	Packaging	Termination
	10 = 1000		18 = 18Vdc	A = 0.1J	500 = 50V	D = 7" reel R = 7" reel T = 13" reel	L = Ni/Sn plated

Axial TransGuard® and StaticGuard



AVX Axial Multilayer Ceramic Transient Voltage Suppressors

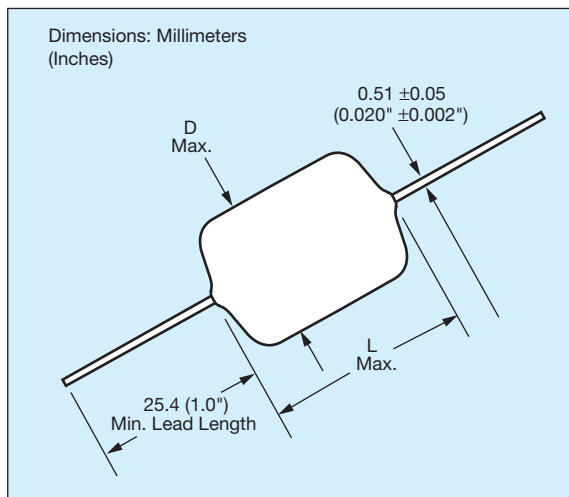
AXIAL TRANSGUARD®

AVX PN	V _w (DC)	V _w (AC)	V _B	V _C	I _{vc}	I _L	E _T	I _P	Cap	Freq	Case
VA100003A100	3.3	2.3	5.0±20%	12	1	100	0.1	40	1500	K	1000
VA100003D100	3.3	2.3	5.0±20%	12	1	100	0.4	150	4700	K	1000
VA100005A150	5.6	4.0	8.5±20%	18	1	35	0.1	40	1000	K	1000
VA100005D150	5.6	4.0	8.5±20%	18	1	35	0.4	150	2800	K	1000
VA100014A300	14.0	10.0	18.5±12%	32	1	15	0.1	40	325	K	1000
VA100014D300	14.0	10.0	18.5±12%	32	1	15	0.4	150	1100	K	1000
VA100018A400	18.0	13.0	25.5±10%	42	1	10	0.1	40	350	K	1000
VA100018D400	18.0	13.0	25.5±10%	42	1	10	0.4	150	900	K	1000
VA100026D580	26.0	18.0	34.5±10%	60	1	10	0.4	120	650	K	1000
VA100030D650	30.0	21.0	41.0±10%	67	1	10	0.4	120	550	K	1000
VA100048D101	48.0	34.0	62.0±10%	100	1	10	0.4	100	200	K	1000
VA200060K121	60.0	42.0	76.0±10%	120	1	10	2.0	300	400	K	2000

AXIAL STATICGUARD

AVX PN	V _w (DC)	V _w (AC)	V _B	V _C	I _{vc}	I _L	E _T	I _P	Cap	Freq	Case
VA10LC18A500	≤18.0	≤14.0	25-40	50	1	10	0.1	30	200	K	1000

V _w (DC)	DC Working Voltage (V)		Working Voltage (μA)
V _w (AC)	AC Working Voltage (V)	E _T	Transient Energy Rating (J, 10x1000μS)
V _B	Typical Breakdown Voltage (V @ 1mA _{DC})	I _P	Peak Current Rating (A, 8x20μS)
V _B Tol	V _B Tolerance is ± from Typical Value	Cap	Typical Capacitance (pF) @ frequency specified and 0.5 V _{RMS}
V _C	Clamping Voltage (V @ I _{vc})	Freq	Frequency at which capacitance is measured (K = 1kHz, M = 1MHz)
I _{vc}	Test Current for V _C (A, 8x20μS)		
I _L	Maximum Leakage Current at the		



DIMENSIONS: mm (inches)

AVX Style		VA1000	VA2000
(L) Max Length	mm (in.)	4.32 (0.170)	4.83 (0.190)
(D) Max Diameter	mm (in.)	2.54 (0.100)	3.56 (0.140)

Lead Finish: Copper Clad Steel, Solder Coated

