

## 阅读申明

- 1.本站收集的数据手册和产品资料都来自互联网，版权归原作者所有。如读者和版权方有任何异议请及时告之，我们将妥善解决。
- 2.本站提供的中文数据手册是英文数据手册的中文翻译，其目的是协助用户阅读，该译文无法自动跟随原稿更新，同时也可能存在翻译上的不当。建议读者以英文原稿为参考以便获得更精准的信息。
- 3.本站提供的产品资料，来自厂商的技术支持或者使用者的心得体会等，其内容可能存在描述上的差异，建议读者做出适当判断。
- 4.如需与我们联系，请发邮件到marketing@iczoom.com，主题请标有“数据手册”字样。

## Read Statement

1. The datasheets and other product information on the site are all from network reference or other public materials, and the copyright belongs to the original author and original published source. If readers and copyright owners have any objections, please contact us and we will deal with it in a timely manner.
2. The Chinese datasheets provided on the website is a Chinese translation of the English datasheets. Its purpose is for reader's learning exchange only and do not involve commercial purposes. The translation cannot be automatically updated with the original manuscript, and there may also be improper translations. Readers are advised to use the English manuscript as a reference for more accurate information.
3. All product information provided on the website refer to solutions from manufacturers' technical support or users the contents may have differences in description, and readers are advised to take the original article as the standard.
4. If you have any questions, please contact us at marketing@iczoom.com and mark the subject with "Datasheets" .

## 4-Input / 1-Output Stereo Audio Selector

### ■ GENERAL DESCRIPTION

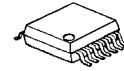
The **NJM2755** is 4 Input / 1 Output Stereo Audio Selector.

The **NJM2755** consists of switches and buffer operational amplifiers.

Based on the internal switch op-amp technology, the **NJM2755** features lower output noise, lower distortion and higher channel separation than the general Multiplexers or Analogue Switches.

The **NJM2755** contains compatibility with NJM2752(2in-1out SW), NJM2753(3in-1out SW).

### ■ PACKAGE OUTLINE



**NJM2755V**

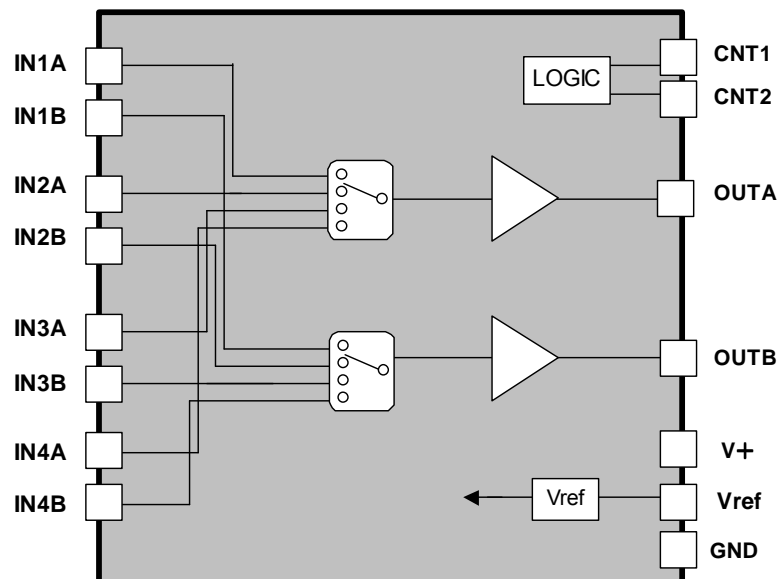
### ■ APPLICATIONS

- LCD-TV/PDP-TV
- Car Stereo
- Any Audio System

### ■ FEATURES

- Operating Voltage 4.7 to 10V
- 4 Input / 1 Output Stereo Audio Selectors
- Low Output Noise -114dBV typ.
- Low Distortion 0.0009% typ.
- Bipolar Technology
- Package Outline SSOP16

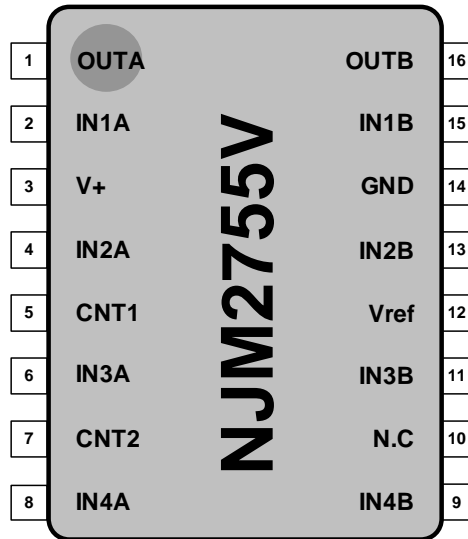
### ■ BLOCK DIAGRAM



# NJM2755

## ■ PIN CONFIGURATIONS NJM2755 SSOP16

### SSOP16

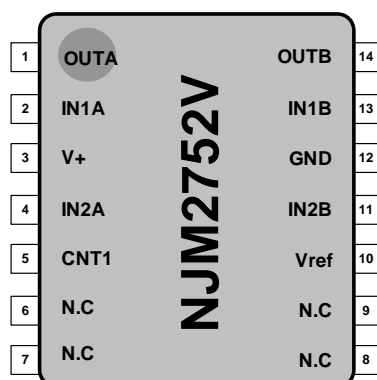


PIN.No.	SYMBOL	FUNCTION	PIN.No.	SYMBOL	FUNCTION
1	OUTA	Ach Output Terminal	9	IN4B	Bch Input Terminal4
2	IN1A	Ach Input Terminal1	10	N.C	No Connection
3	V+	Power Supply Terminal	11	IN3B	Bch Input Terminal3
4	IN2A	Ach Input Terminal2	12	Vref	Reference Terminal
5	CNT1	Control Switch Terminal1	13	IN2B	Bch Input Terminal2
6	IN3A	Ach Input Terminal3	14	GND	GND Terminal
7	CNT2	Control Switch Terminal2	15	IN1B	Bch Input Terminal1
8	IN4A	Ach Input Terminal4	16	OUTB	Bch Output Terminal

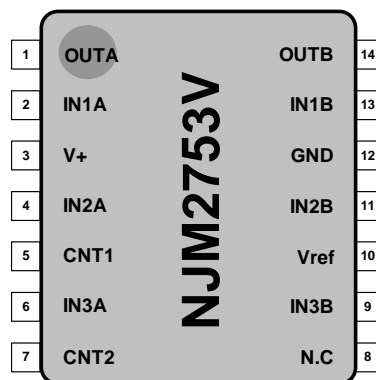
### [Reference]

The NJM2755 contains compatibility with NJM2752 (2in-1out SW), NJM2753 (3in-1out SW).

#### NJM2752



#### NJM2753



## ■ ABSOLUTE MAXIMUM RATINGS (Ta=25°C)

PARAMETER	SYMBOL	RATING	UNIT
Supply Voltage	V <sup>+</sup>	12	V
Power Dissipation	P <sub>D</sub>	SSOP16 490 <sup>1)</sup> 630 <sup>2)</sup> <small>NOTE 1): EIA/JEDEC STANDARD Test board (76.2x114.3x1.6mm, 2layer, FR-4) mounting 2): EIA/JEDEC STANDARD Test board (76.2x114.3x1.6mm, 4layer, FR-4) mounting</small>	mW
Operating Temperature Range	T <sub>OPR</sub>	-40 to +85	°C
Storage Temperature Range	T <sub>STR</sub>	-40 to +150	°C

## ■ ELECTRICAL CHARACTERISTICS ( Ta=25°C, V<sup>+</sup>=9V)

PARAMETER	SYMBOL	TEST CONDITION	MIN.	TYP.	MAX.	UNIT
Operating Voltage	V <sup>+</sup>		4.7	9.0	10	V
Supply Current	I <sub>CC</sub>	No Signal	-	10	15	mA
Reference Voltage	V <sub>REF</sub>		-	4.5	-	V
Voltage Gain	G <sub>V</sub>	Vin=1Vrms, f=1kHz	-1	0	1	dB
Total Harmonic Distortion	THD+N	Vin=1Vrms, f=1kHz	-	0.0009	0.03	%
Output Noise Voltage	V <sub>NO</sub>	A-Weighted	-	-114 (2)	-100 (10)	dBV (μVrms)
Maximum Output Voltage	V <sub>OM</sub>	f=1kHz, THD=1%	6 (2.0)	8 (2.5)	-	dBV (Vrms)
Cross Talk	CT	Vin=1Vrms, f=1kHz, A-Weighted	85	100	-	dB
Channel Separation	CS	Vin=1Vrms, f=1kHz, A-Weighted	90	110	-	dB
Switch-ON Voltage Level	V <sub>CH</sub>		2.4	-	-	V
Switch-OFF Voltage Level	V <sub>CL</sub>		-	-	0.5	V
Input Impedance	R <sub>IN</sub>		-	100	-	kΩ
Output Impedance	R <sub>OUT</sub>		-	45	-	Ω

## ■ SWITCH CONTROL LOGIC

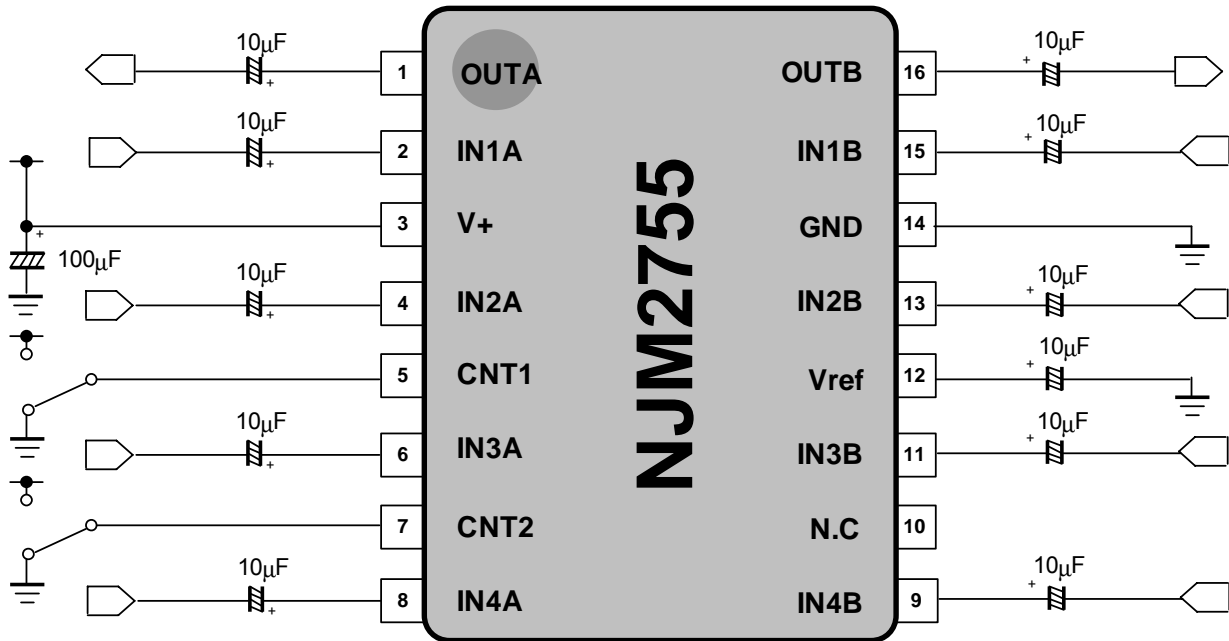
CNT2	CNT1	INPUT SELECTOR Ach / Bch
L	L	1
L	H	2
H	L	3
H	H	4

# NJM2755

## ■ TERMINAL DESCRIPTION

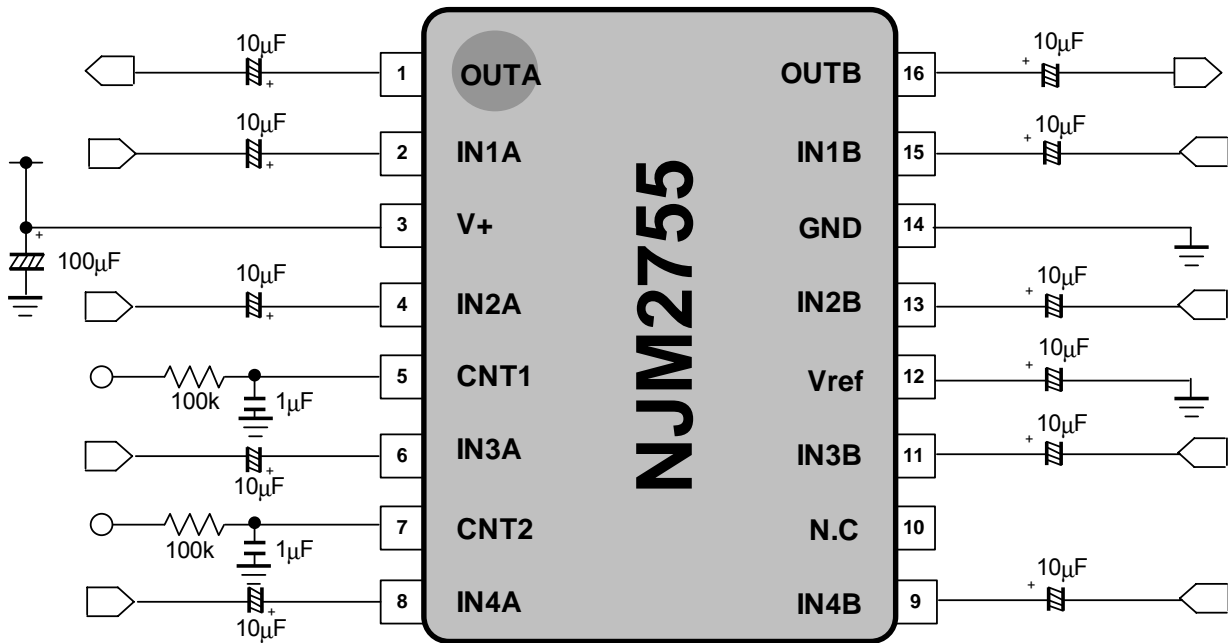
PIN No.	SYMBOL	FUNCTION	EQUIVALENT CIRCUIT	TERMINAL VOLTAGE
2 4 6 8 9 11 13 15	IN1A IN2A IN3A IN4A IN4B IN3B IN2B IN1B	Ach Input Terminal1 Ach Input Terminal2 Ach Input Terminal3 Ach Input Terminal4 Bch Input Terminal4 Bch Input Terminal3 Bch Input Terminal2 Bch Input Terminal1		V+/2
5 7	CNT1 CNT2	Control Switch Terminal1 Control Switch Terminal2		0V (GND)
1 16	OUTA OUTB	Ach Output Terminal Bch Output Terminal		V+/2
12	Vref	Reference Terminal		V+/2
3 14	V+ GND	Power Supply Terminal GND Terminal		V+ 0V

## MEASUREMENT CIRCUIT



# NJM2755

## APPLICATION CIRCUIT

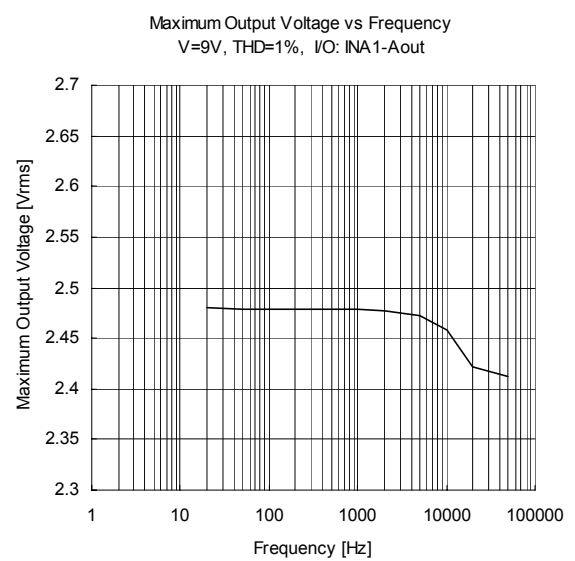
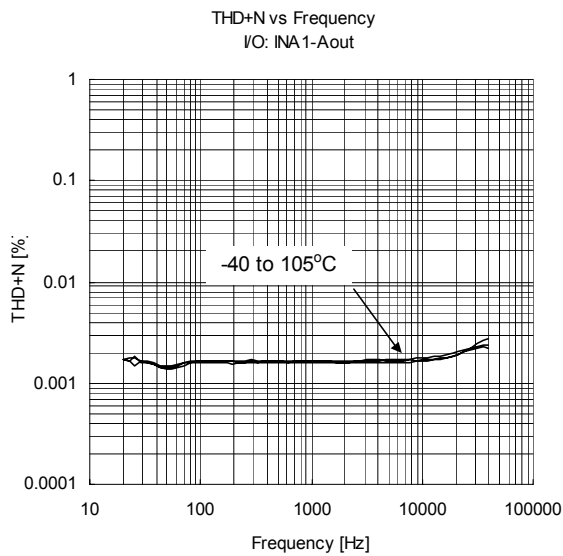
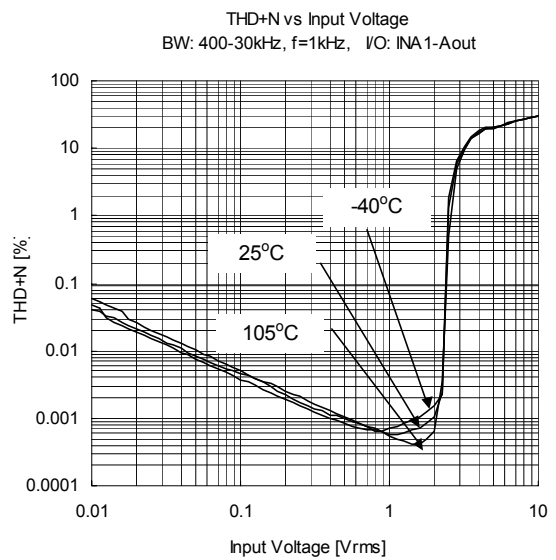
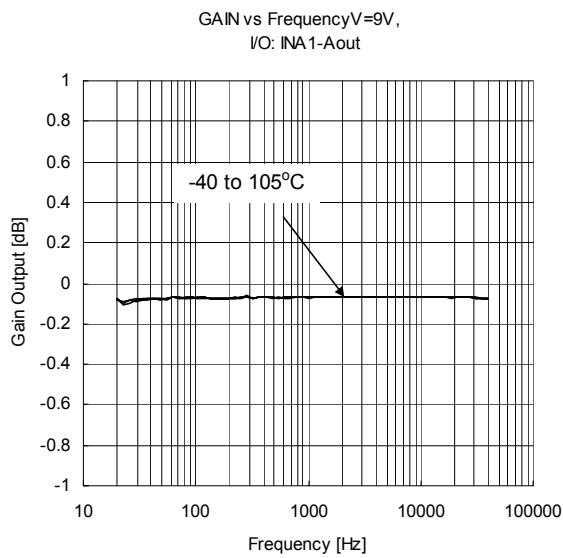
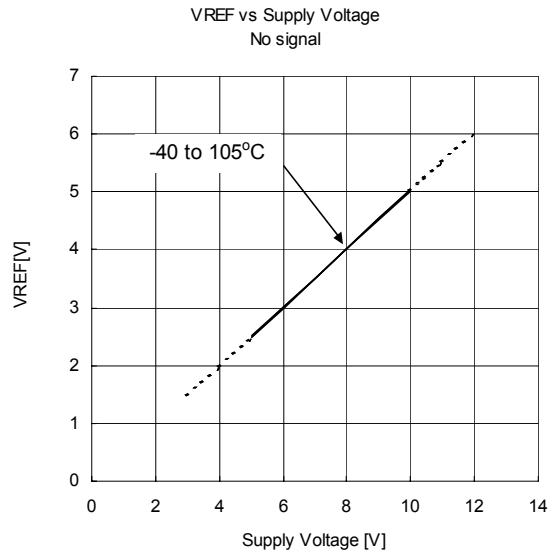
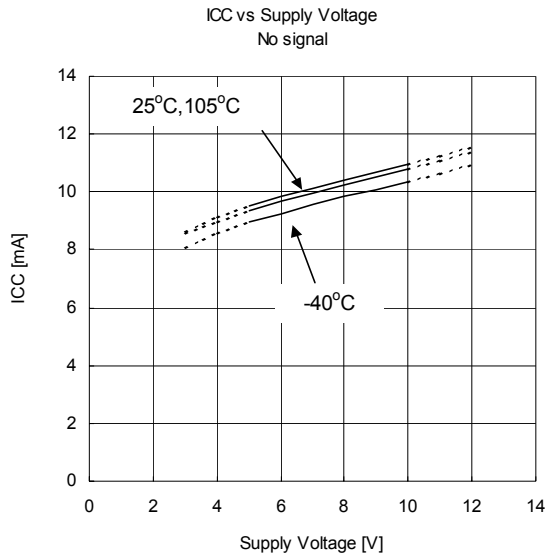


### Application note:

Resistor(100k) and capacitor(1µF) connected to CNT1 are added to reduce pop-noise.

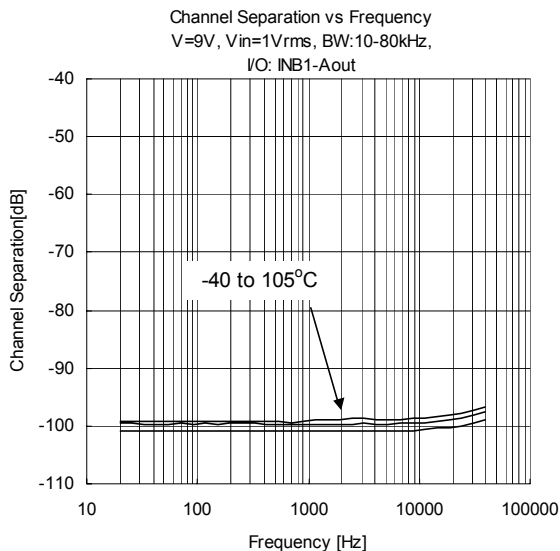
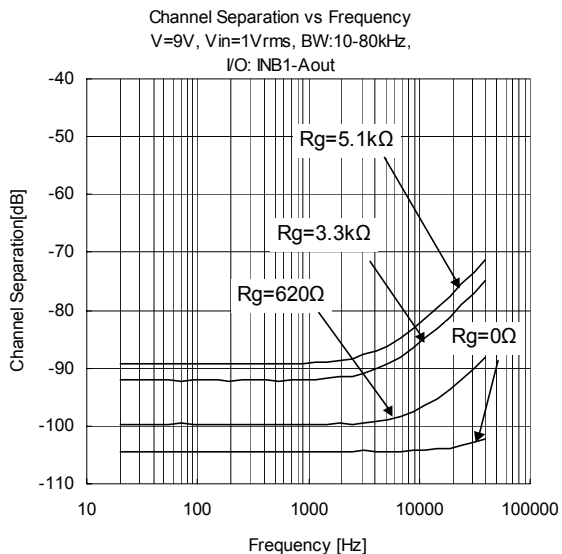
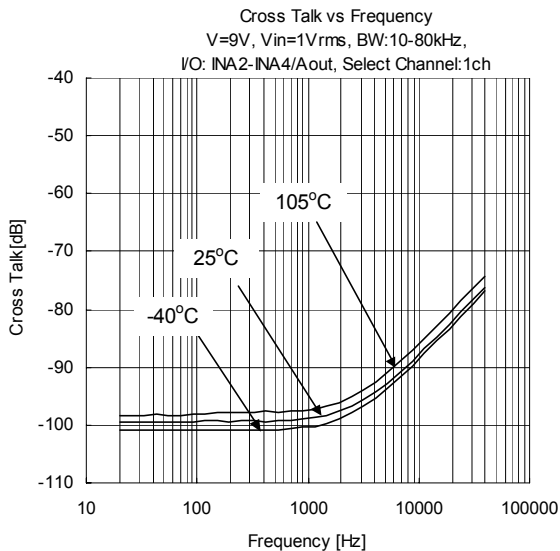
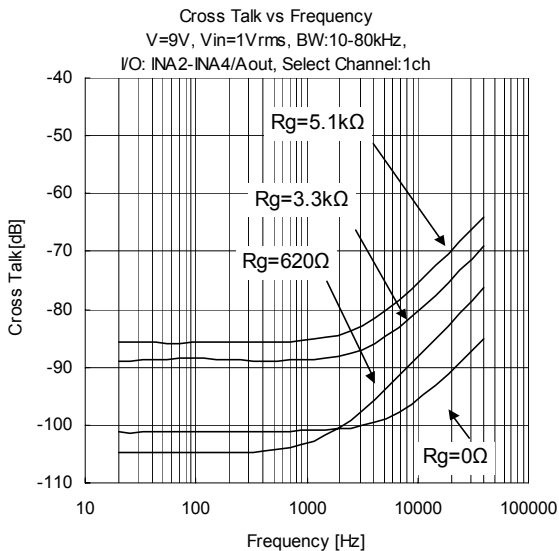
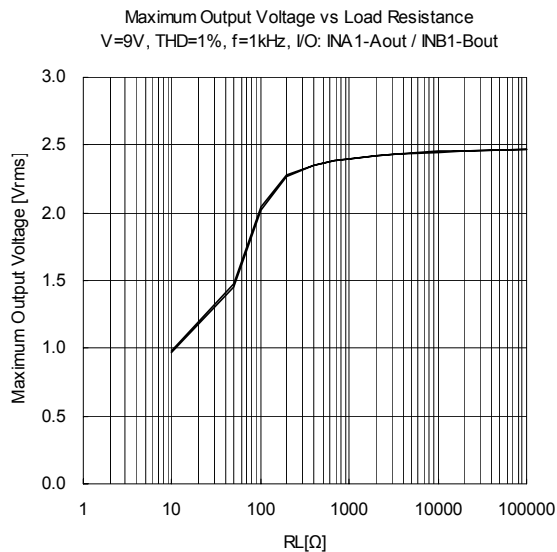
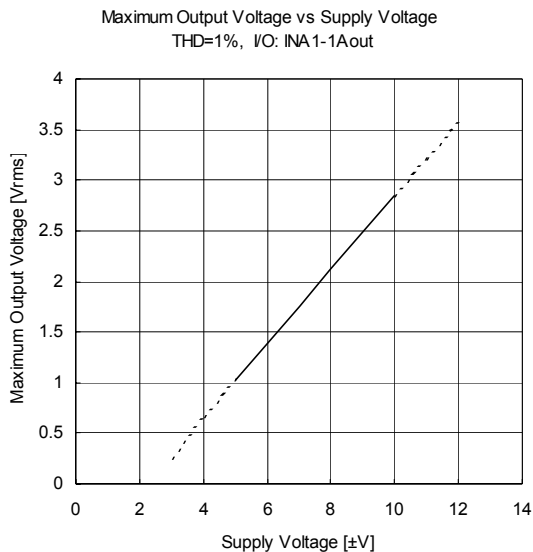
The value of input capacitor connected to IN1A and IN2A depends on cut-off frequency(calculated by  $f_c = 1/2\pi RC$ ) you need. R(input impedance)=100kΩ.

## TYPICAL CHARACTERISTICS

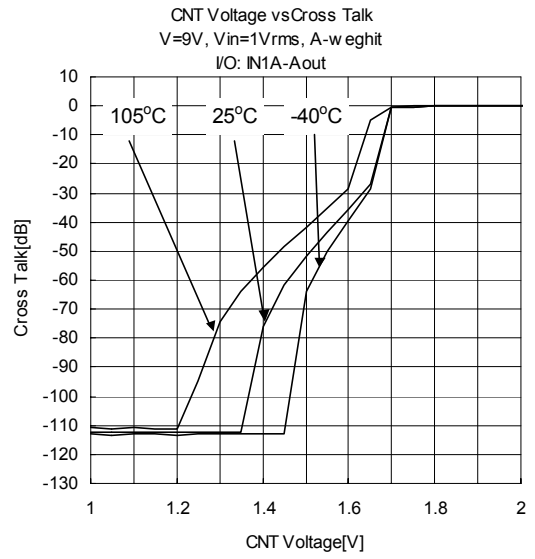
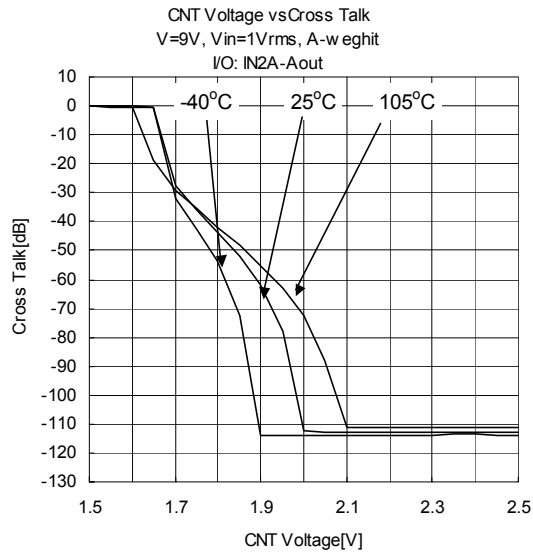




## TYPICAL CHARACTERISTICS



## TYPICAL CHARACTERISTICS



**[CAUTION]**

The specifications on this databook are only given for information, without any guarantee as regards either mistakes or omissions. The application circuits in this databook are described only to show representative usages of the product and not intended for the guarantee or permission of any right including the industrial rights.