

阅读申明

- 1.本站收集的数据手册和产品资料都来自互联网，版权归原作者所有。如读者和版权方有任何异议请及时告之，我们将妥善解决。
- 2.本站提供的中文数据手册是英文数据手册的中文翻译，其目的是协助用户阅读，该译文无法自动跟随原稿更新，同时也可能存在翻译上的不当。建议读者以英文原稿为参考以便获得更精准的信息。
- 3.本站提供的产品资料，来自厂商的技术支持或者使用者的心得体会等，其内容可能存在描述上的差异，建议读者做出适当判断。
- 4.如需与我们联系，请发邮件到marketing@iczoom.com，主题请标有“数据手册”字样。

Read Statement

1. The datasheets and other product information on the site are all from network reference or other public materials, and the copyright belongs to the original author and original published source. If readers and copyright owners have any objections, please contact us and we will deal with it in a timely manner.
2. The Chinese datasheets provided on the website is a Chinese translation of the English datasheets. Its purpose is for reader's learning exchange only and do not involve commercial purposes. The translation cannot be automatically updated with the original manuscript, and there may also be improper translations. Readers are advised to use the English manuscript as a reference for more accurate information.
3. All product information provided on the website refer to solutions from manufacturers' technical support or users the contents may have differences in description, and readers are advised to take the original article as the standard.
4. If you have any questions, please contact us at marketing@iczoom.com and mark the subject with "Datasheets" .

SIGNAL LEVEL SENSOR SYSTEM

■ GENERAL DESCRIPTION

The **NJU7181** is a signal level sensor system IC. It sends a High flag to the microprocessor or other equipments whenever it detects the existence of the audio signal.

The **NJU7181** includes a delay circuit which allows the IC continue to hold the flag after the absence of the audio signal. This holding time can be adjusted with external capacitor.

Together with its adjustable Input Sensitivity (*by external resistor*) & its characteristic of low current consumption and low operating voltage, **NJU7181** is suitable for Eco-Design of Energy-using Products and for battery operated applications.

■ PACKAGE OUTLINE



NJU7181RB1
MSOP8 (TVSP8)



NJU7181KU1

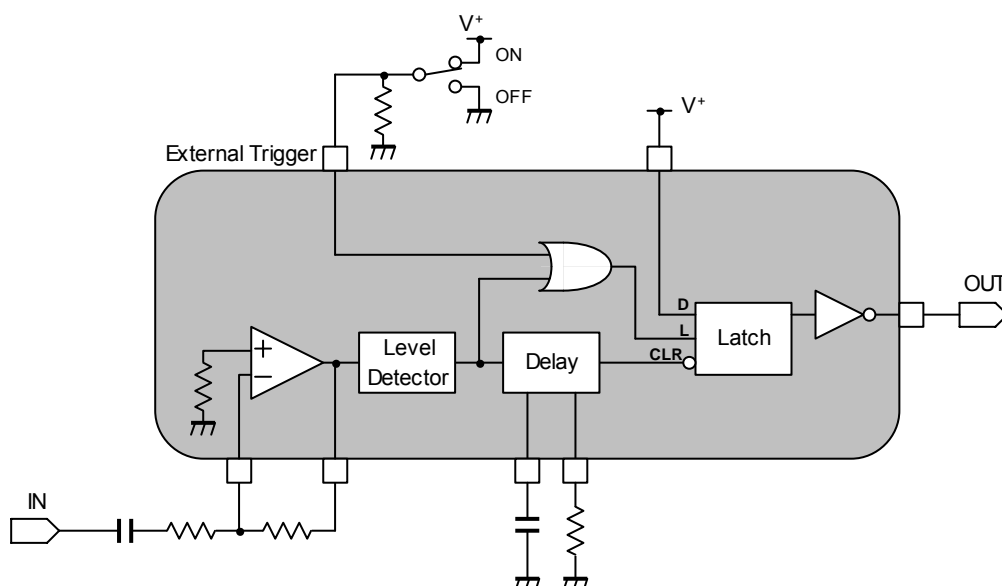
■ FEATURES

- Operating Voltage 0.9 to 5.5V
 - Low Operating Current 55µA typ.
 - Delay circuit for long Recovery time
 - Adjustable Recovery time by external capacitor
 - Adjustable Input Sensitivity by external resistance
 - C-MOS Technology
 - Package Outline MSOP8 (TVSP8)*
ESON8
- *MEET JEDEC MO-187-DA / THIN TYPE

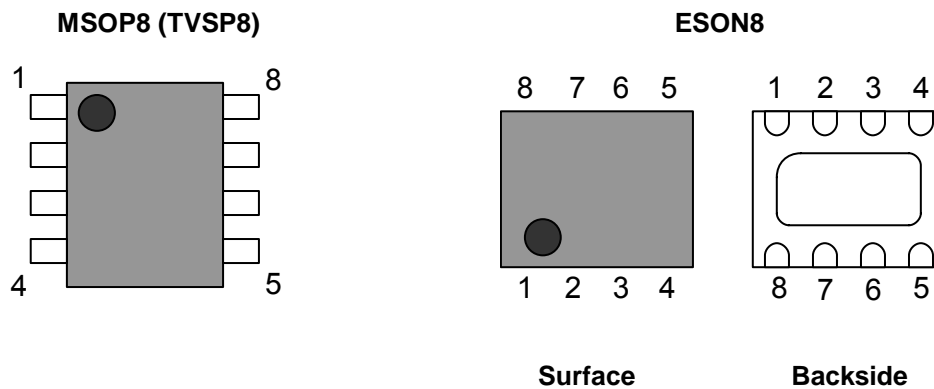
■ APPLICATIONS

- Power Saving for battery operated devices
- Muting Application
- Memory saving for recording devices
- Half- duplex transmission application

■ BLOCK DIAGRAM



■ PIN CONFIGURATION



No.	Symbol	Function
1	IN	AC Input
2	AMP_OUT	Amplifier Output
3	TRIN	External Trigger Input
4	GND	Ground
5	CAP_D	Delay Time Capacitor
6	RES_D	Delay Time Resister
7	OUT	DC Output
8	V ⁺	Supply Voltage

■ **ABSOLUTE MAXIMUM RATING** (Ta=25°C)

PARAMETER	SYMBOL	RATING	UNIT
Supply Voltage	V ⁺	+7	V
Power Dissipation	P _D	MSOP8 (TVSP8): 470 (Note1) ESON8: 450	mW
Maximum Input Voltage	V _{IMAX}	0 ~ V ⁺ (Note2)	V
Operating Temperature Range	T _{opr}	-40 ~ +85	°C
Storage Temperature Range	T _{stg}	-40 ~ +125	°C

(Note1) EIA/JEDEC STANDARD Test board (76.2x114.3x1.6mm, 2layer, FR-4) mounting

(Note2) Don't put Input Voltage more than Power Supply Voltage.

■ **ELECTRICAL CHARACTERISTICS**

(Ta=25°C, V⁺=3V, R₁=10kΩ, R₂=100kΩ, R_d=220kΩ, C_d=10nF)

PARAMETER	SYMBOL	TEST CONDITION	MIN.	TYP.	MAX.	UNIT
Operating Voltage	V ⁺		0.9	-	5.5	V
Operating Current	I _{DD}	No signal, R _L =∞	-	55	100	μA
Input Sensitivity	V _{INS}	f=1kHz	-45	-41.5	-38	dBV
Delay Time 1	T _{delay1}		1.0	1.5	2.0	Sec
Delay Time 2	T _{delay2}	V ⁺ =0.9V	1.0	1.5	2.0	Sec
Delay Time 3	T _{delay3}	C _d =10μF	-	1,500	-	Sec

■ **DC CHARACTERISTICS**

DC Output Terminal (7pin)

(Ta=25°C)

PARAMETER	SYMBOL	TEST CONDITION	MIN.	TYP.	MAX.	UNIT
High Level Output Voltage	V _{OH}	I _{SOURCE} =1mA	V ⁺ -0.2	-	V ⁺	V
Low Level Output Voltage	V _{OL}	I _{SINK} =1mA	0	-	0.2	V

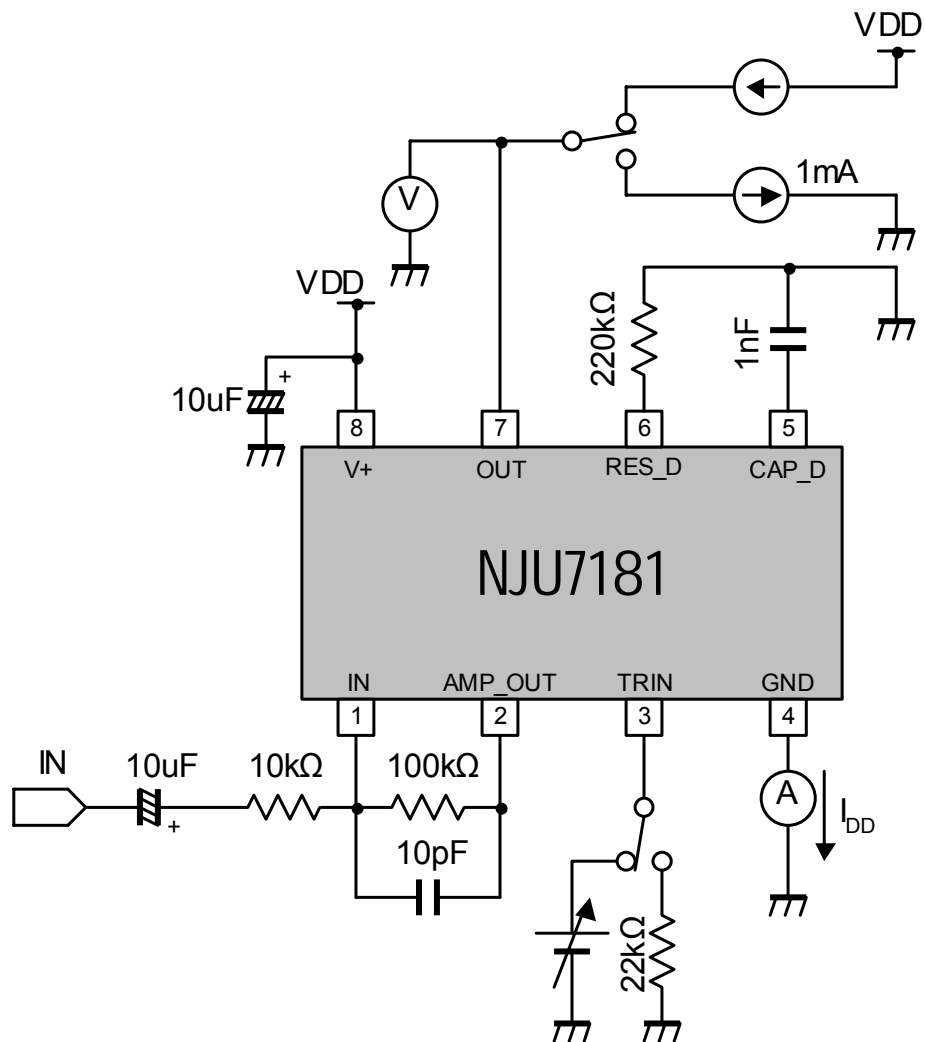
External Trigger Switch Terminal (3pin)

(Ta=25°C)

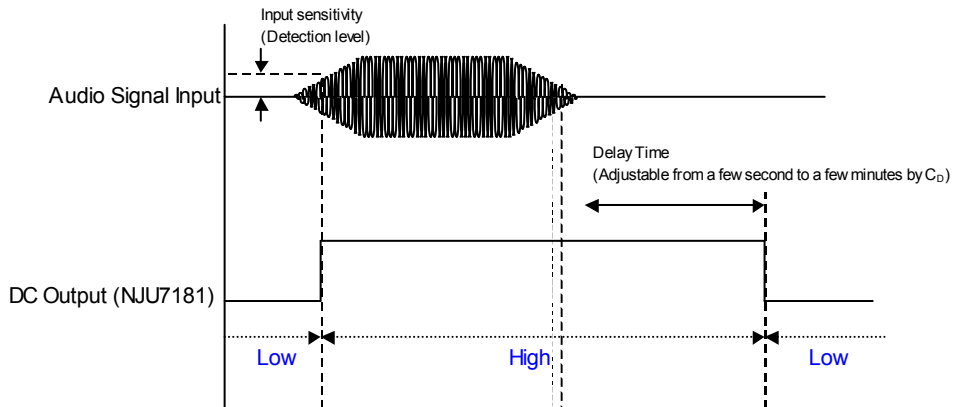
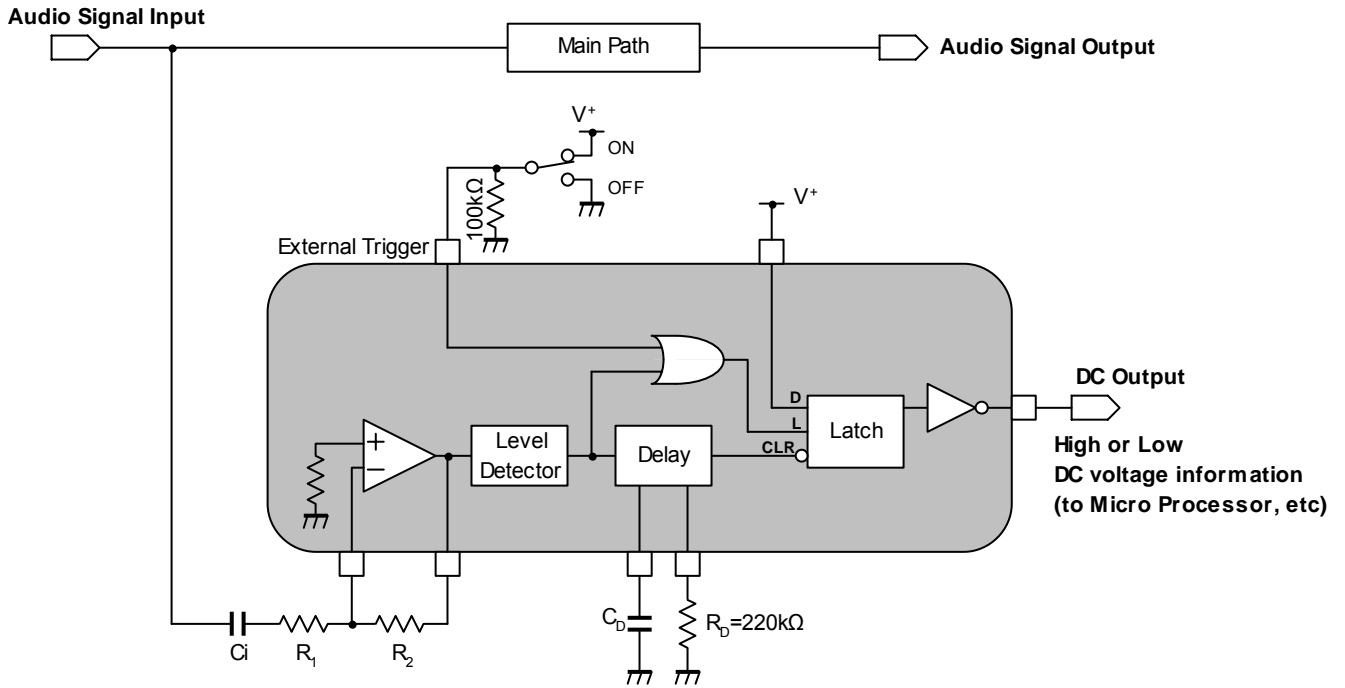
High Level Input Voltage	V _{IH}		V ⁺ -0.2	-	V ⁺	V
Low Level Input Voltage	V _{IL}		0	-	0.2	V

NJU7181

■ TEST CIRCUIT



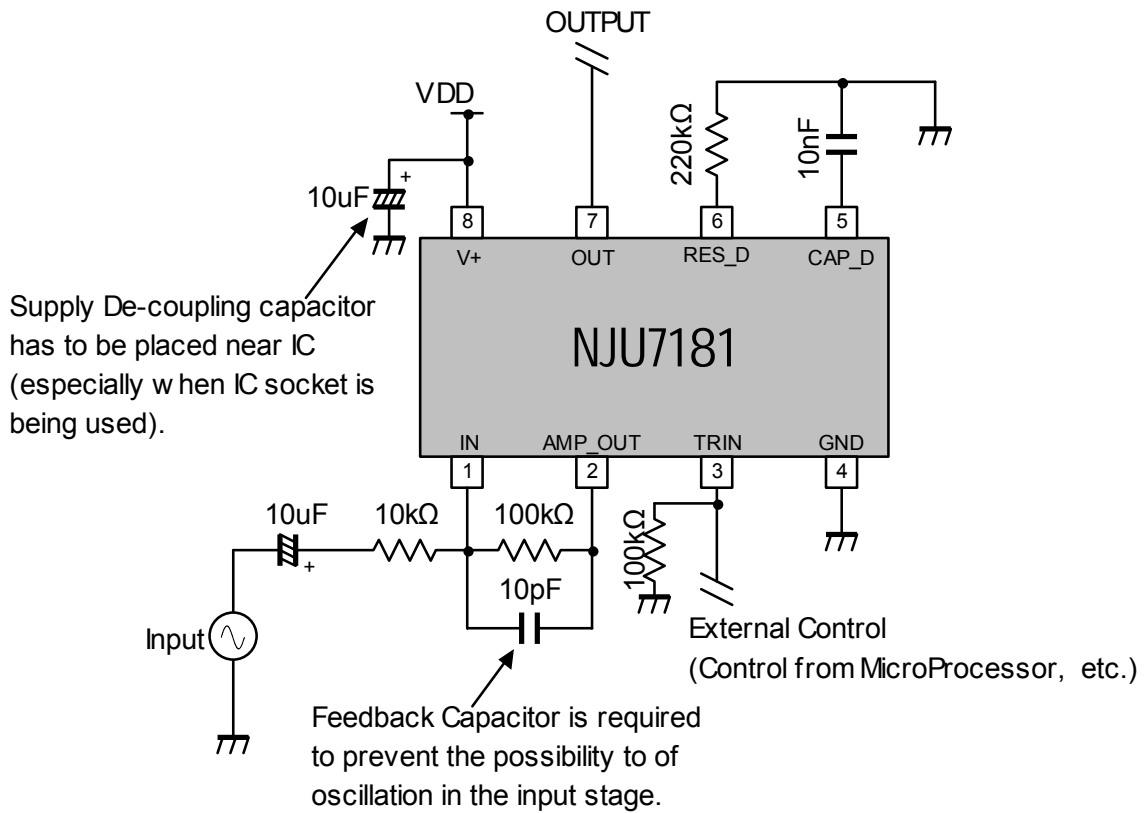
APPLICATION CIRCUIT



Attack Time:



Note:

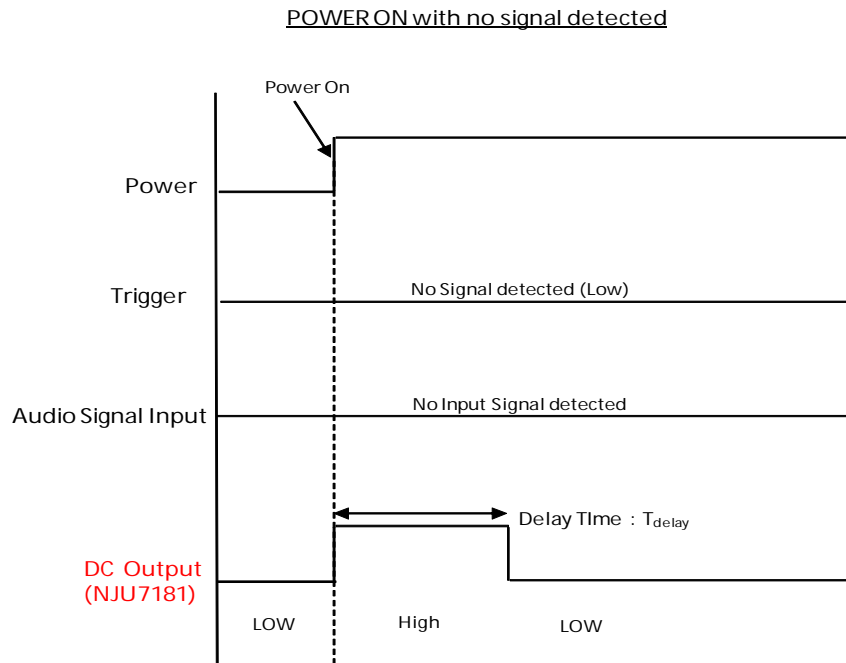


■ APPLICATION NOTE

- **DC Output Waveform Scenario**

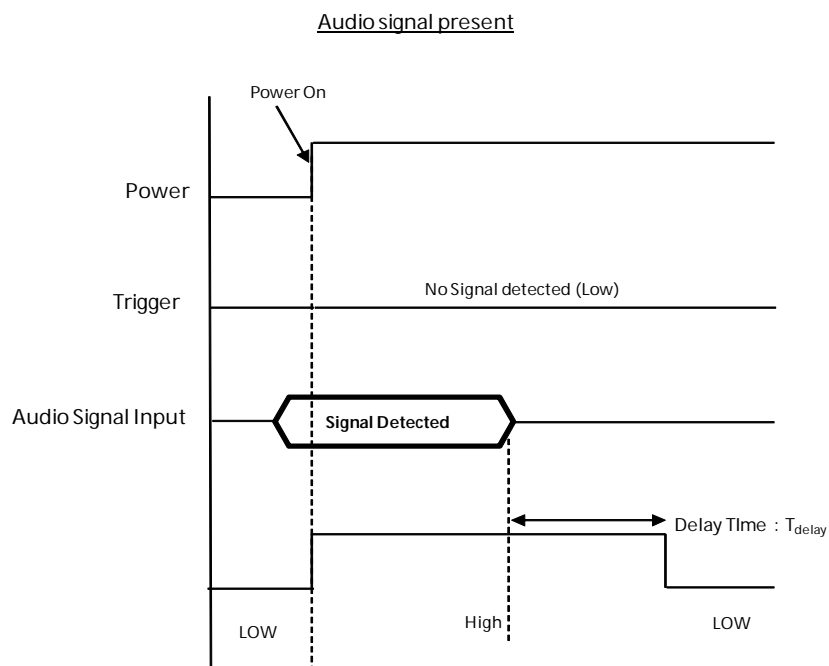
Scenario 1: Power-ON

– Output will be high initially when NJU7181 is first powered up even if there is no input signal detected.



Scenario 2: Only Audio Signal detected

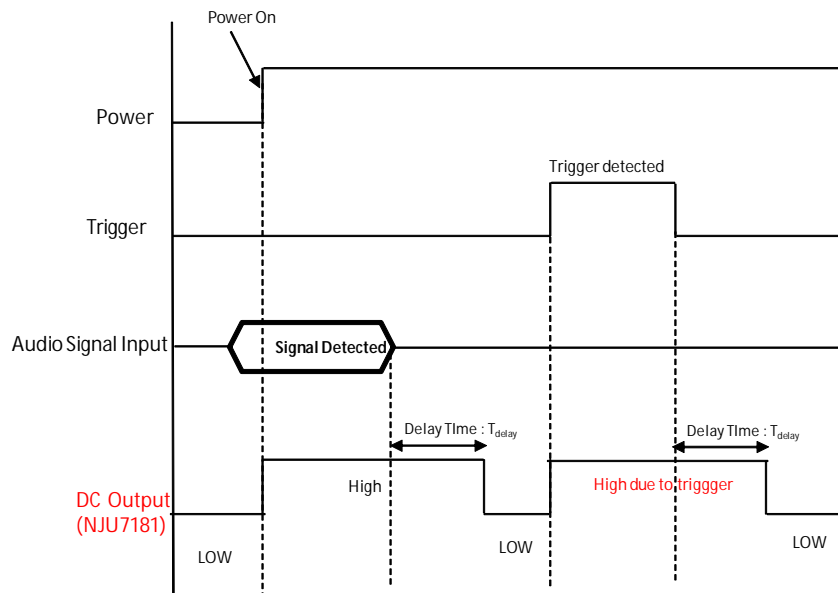
– Output will be or maintain high when **either an input signal or trigger signal is detected**. The delay circuit will only be activated **when both signals is not present**. NJU7181 will then hold the output level for a delay time which can be adjusted by the Capacitor value @ pin 5.



Scenario 3: Trigger Signal detected (Case 1)

– Output will be or maintain high when **either an input signal or trigger signal is detected**. The delay circuit will only be activated **when both signals is not present**. Output is set to Low state when a delay time passes. Output is set to High state when either an input signal or trigger signal is detected again.

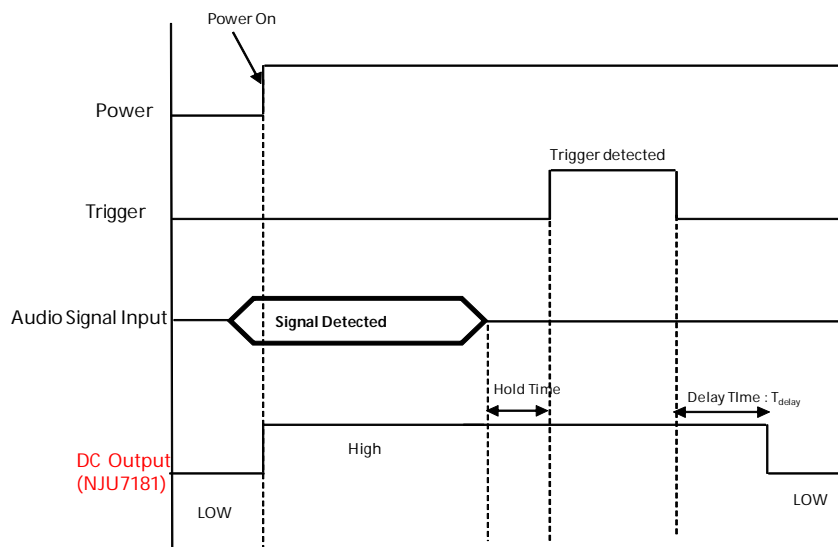
Case 1: Trigger signal present (After output LOW)



Scenario 4: Trigger Signal detected (Case 2)

– Output will be or maintain high when **either an input signal or trigger signal is detected**. When hold time is shorter than a delay time, output maintains High state (Counter RESET). NJU7181 will then hold the output level for a delay time which can be adjusted by the Capacitor value @ pin 5.

Case 2: Trigger signal present (During output HIGH)



When hold time is shorter than T_{delay} , DC_Output maintains High state. (Counter RESET)

◆ Input Sensitivity [Ta =25°C]

The input sensitivity is defined as follows.

$$V_{INS}=20*\log(R1/R2) - 21.5 \text{ [dBV] ----- (1)}$$

Note) The input sensitivity recommends the setting of -60dBV (1mVrms) or more.

Note) The R2 value should be 100kΩ or more.

◆ Frequency Response

The input capacitor “Ci” forms HPF with “R1”. The cut-off frequency is defined as follows. Please decide C1 value in consideration of the frequency response necessary for the signal-detecting.

$$f_c=1/(2\pi\times C_i\times R_1) \text{ [Hz] ----- (2)}$$

◆ Delay time [With R_D = 220Kohm]

The Recovery time is defined as follows.

$$T_{\text{delay}}=1.5*10^8*C_R \text{ [sec] ----- (3)}$$

■ TERMINAL DESCRIPTION

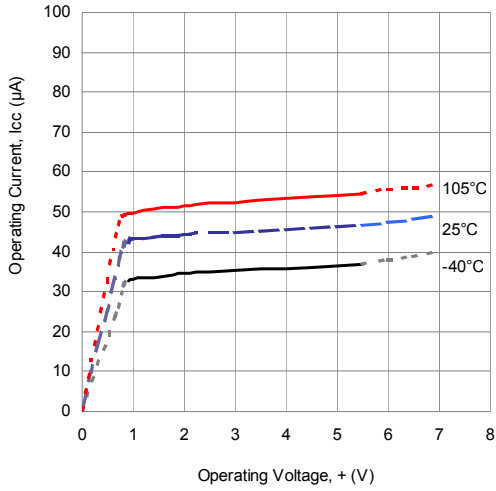
Terminal	SYMBOL	FUNCTION	EQUIVALENT CIRCUIT	VOLTAGE
1	IN	AC Input		0.3V
2	AMP_OUT	Amplifier Output		0.3V
3	TRIN	External Trigger Input		-
5	CAP_D	Delay Time Capacitor		0V

■ TERMINAL DESCRIPTION

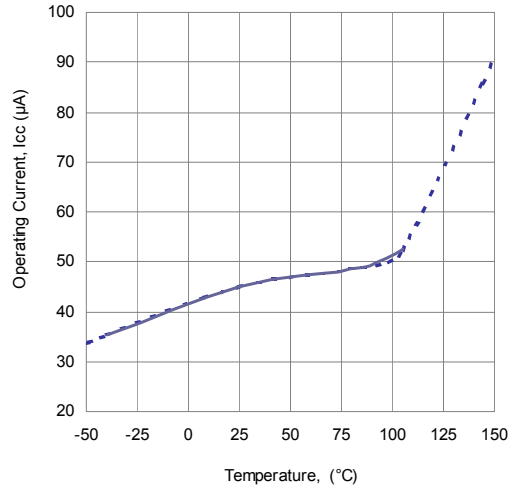
Terminal	SYMBOL	FUNCTION	EQUIVALENT CIRCUIT	VOLTAGE
6	RES_D	Delay Time Resistor		$3\mu\text{A} \times R_D$
7	OUT	DC Output		0 or V^+
8	V^+	Supply Voltage		V^+

■ TYPICAL CHARACTERISTICS

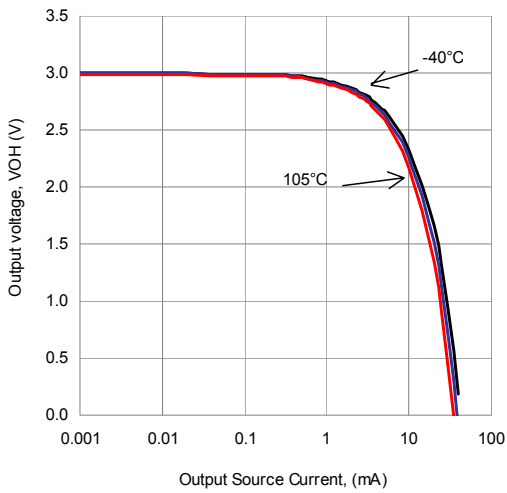
Operating Current Vs Operating Voltage
Cd = 10nF, Rd = 220kΩ, No Input



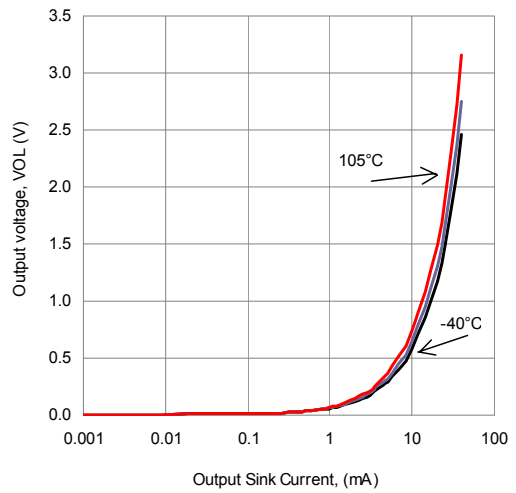
Operating current Vs Temperature
VDD = 3V, Cd = 10nF, Rd = 220kΩ, No Input



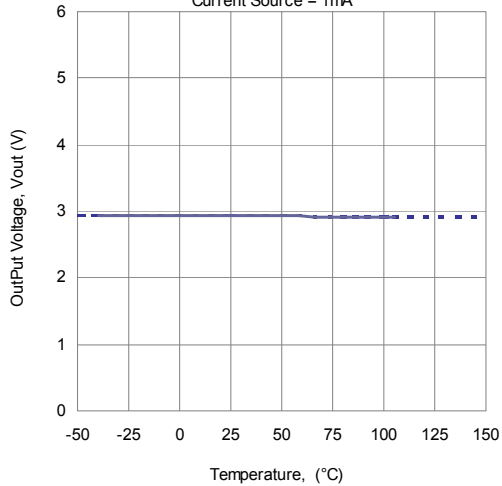
Output Voltage Vs Output Current Source
VDD = 3V, Ta = 25°C, Cd = 10nF, Rd = 220kΩ, Output = High



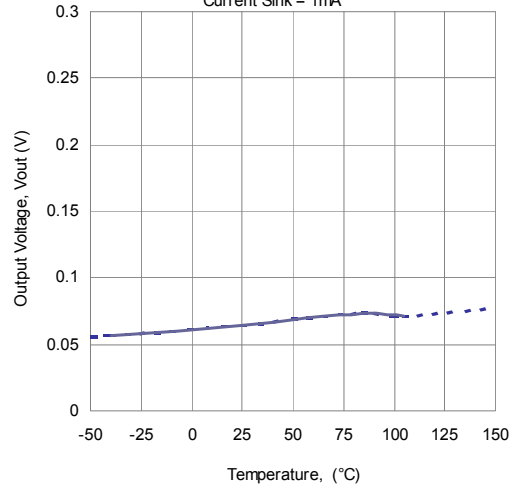
Output Voltage Vs Output Current Sink
VDD = 3V, Ta = 25°C, Cd = 10nF, Rd = 220kΩ, Output = High



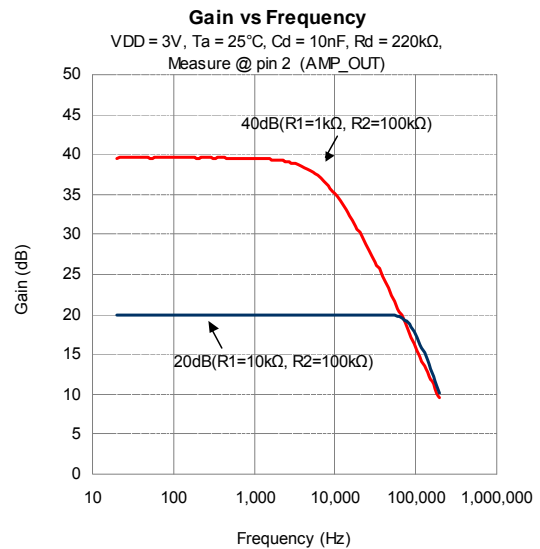
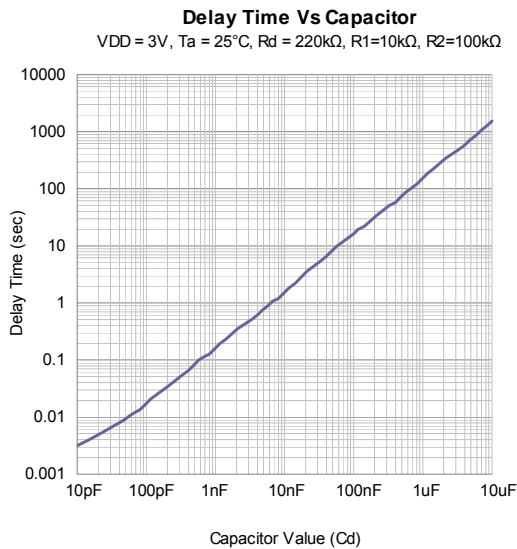
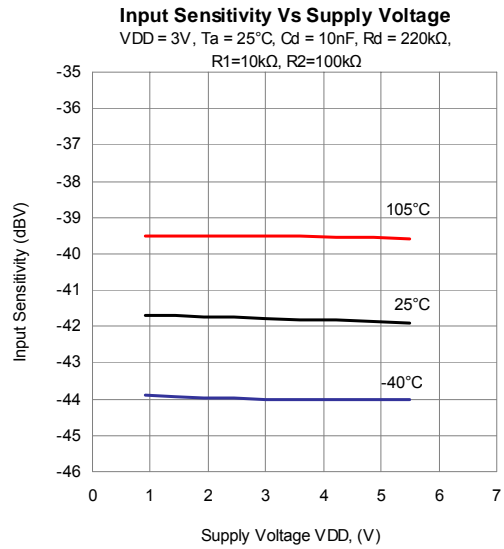
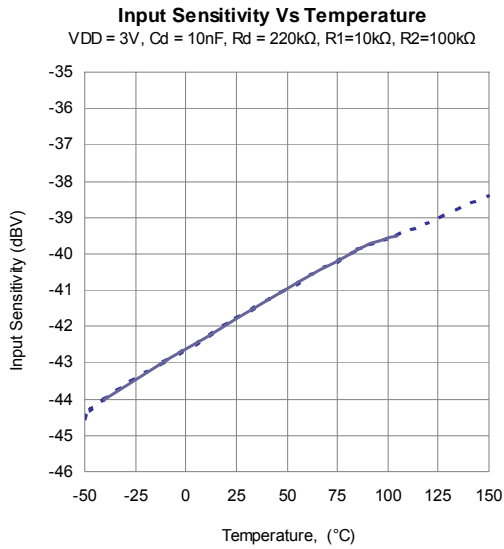
Output Voltage Vs Temperature
VDD = 3V, Cd = 10nF, Rd = 220kΩ, Output = High,
Current Source = 1mA



Output Voltage Vs Temperature
VDD = 3V, Cd = 10nF, Rd = 220kΩ, Output = High,
Current Sink = 1mA



■ TYPICAL CHARACTERISTICS



[CAUTION]
 The specifications on this databook are only given for information, without any guarantee as regards either mistakes or omissions. The application circuits in this databook are described only to show representative usages of the product and not intended for the guarantee or permission of any right including the industrial rights.