

阅读申明

- 1.本站收集的数据手册和产品资料都来自互联网，版权归原作者所有。如读者和版权方有任何异议请及时告之，我们将妥善解决。
- 2.本站提供的中文数据手册是英文数据手册的中文翻译，其目的是协助用户阅读，该译文无法自动跟随原稿更新，同时也可能存在翻译上的不当。建议读者以英文原稿为参考以便获得更精准的信息。
- 3.本站提供的产品资料，来自厂商的技术支持或者使用者的心得体会等，其内容可能存在描述上的差异，建议读者做出适当判断。
- 4.如需与我们联系，请发邮件到marketing@iczoom.com，主题请标有“数据手册”字样。

Read Statement

1. The datasheets and other product information on the site are all from network reference or other public materials, and the copyright belongs to the original author and original published source. If readers and copyright owners have any objections, please contact us and we will deal with it in a timely manner.
2. The Chinese datasheets provided on the website is a Chinese translation of the English datasheets. Its purpose is for reader's learning exchange only and do not involve commercial purposes. The translation cannot be automatically updated with the original manuscript, and there may also be improper translations. Readers are advised to use the English manuscript as a reference for more accurate information.
3. All product information provided on the website refer to solutions from manufacturers' technical support or users the contents may have differences in description, and readers are advised to take the original article as the standard.
4. If you have any questions, please contact us at marketing@iczoom.com and mark the subject with "Datasheets" .

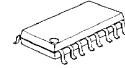
4 INPUT / 1 OUTPUT STEREO AUDIO SELECTOR

■ GENERAL DESCRIPTION

The NJM2750 is 4 Input / 1 Output Stereo Audio Selector. Based on the internal Switch OP-AMP technology, the NJM2750 has lower Output Noise, lower Distortion and higher Channel Separation than the ordinary Multiplexers or Analogue Switches.

The NJM2750 is suitable for any kinds of audio equipments, such as TV, Car Stereo, Mini-Compo and so on.

■ PACKAGE OUTLINE

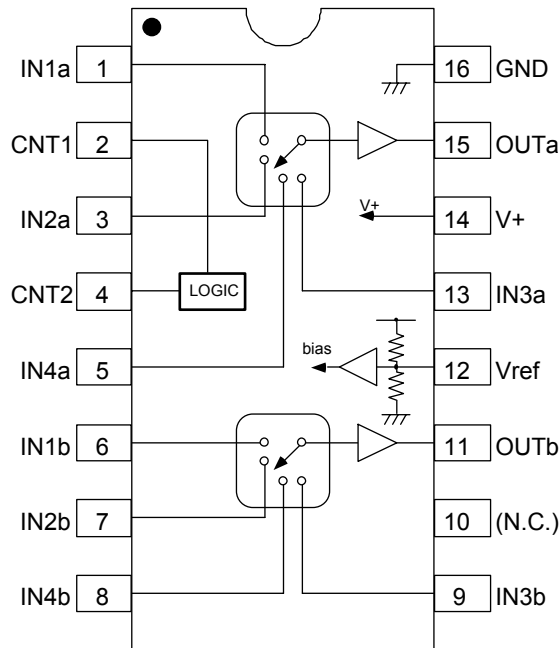


NJM2750M

■ FEATURES

- Operating Voltage (4.7 to 13V)
- 4 Input / 1 Output Audio Selectors
- Dual Channel for Stereo Use
- Low Output Noise (-110dBV typ.)
- Low Distortion (0.005% typ.)
- Bipolar Technology
- Package Outline (DMP16)

■ BLOCK DIAGRAM



■ PIN CONFIGURATION

PIN No.	SYMBOL	FUNCTION
1	IN1a	Ach INPUT SELECTOR
2	CNT1	CONTROL 1
3	IN2a	Ach INPUT SELECTOR 2
4	CNT2	CONTROL 2
5	IN4a	Ach INPUT SELECTOR 4
6	IN1b	Bch INPUT SELECTOR 1
7	IN2b	Bch INPUT SELECTOR 2
8	IN4b	Bch INPUT SELECTOR 4
9	IN3b	Bch INPUT SELECTOR 3
10	(N.C.)	NO CONNECT
11	OUTb	Bch OUTPUT
12	Vref	REFERENCE VOLTAGE
13	IN3a	Ach INPUT SELECTOR 3
14	V+	POWER SUPPLY
15	OUTa	Ach OUTPUT
16	GND	GROUND

NJM2750

■ ABSOLUTE MAXIMUM RATINGS (Ta=25°C)

PARAMETER	SYMBOL	RATING	UNIT
Supply Voltage	V ⁺	15	V
Power Dissipation	P _D	300	mW
Operating Temperature Range	T _{OPR}	-40 to +85	°C
Storage Temperature Range	T _{STR}	-40 to +125	°C

■ ELECTRICAL CHARACTERISTICS (Ta=25°C, V⁺=9V)

PARAMETER	SYMBOL	TEST CONDITION	MIN.	TYP.	MAX.	UNIT
Operating Voltage	V ⁺		4.7	9.0	13.0	V
Supply Current	I _{CC}	No Signal	-	10	20	mA
Reference Voltage	V _{REF}		-	4.5	-	V
Voltage Gain	G _V	Vin=1Vrms, f=1kHz	-1	0	1	dB
Total Harmonic Distortion	THD+N	Vin=1Vrms, f=1kHz	-	0.005	0.05	%
Output Noise Voltage	V _{NO}	A-Weighted	-	-110 (3)	-100 (10)	dBV (μVrms)
Maximum Output Voltage	V _{OM}	f=1KHz, THD=1%	6 (2.0)	8 (2.5)	-	dBV (Vrms)
Cross Talk	CT	Vin=1Vrms, f=1kHz, A-Weighted	70	90	-	dB
Channel Separation	CS	Vin=1Vrms, f=1kHz, A-Weighted	70	90	-	dB
Switch-ON Voltage Level	V _{CH}		2.4	-	-	V
Switch-OFF Voltage Level	V _{CL}		-	-	0.8	V

■ SWITCH CONTROL LOGIC

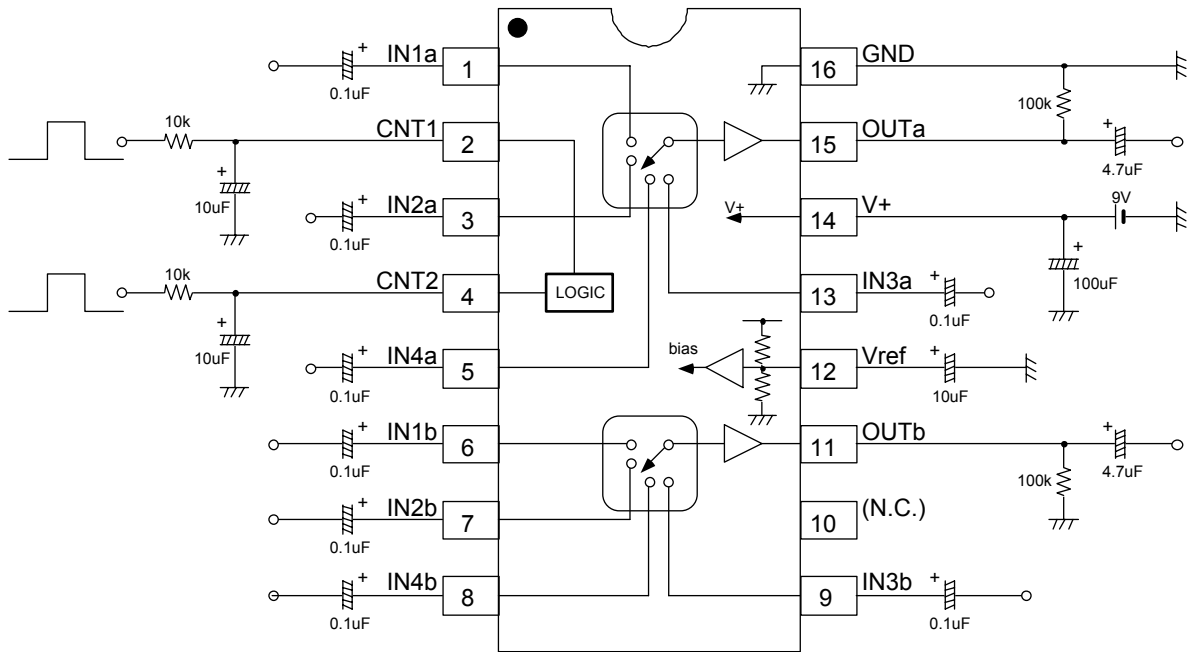
CNT2	CNT1	INPUT SELECTOR Ach / Bch
L	L	1
L	H	2
H	L	3
H	H	4

■ TERMINAL DESCRIPTION

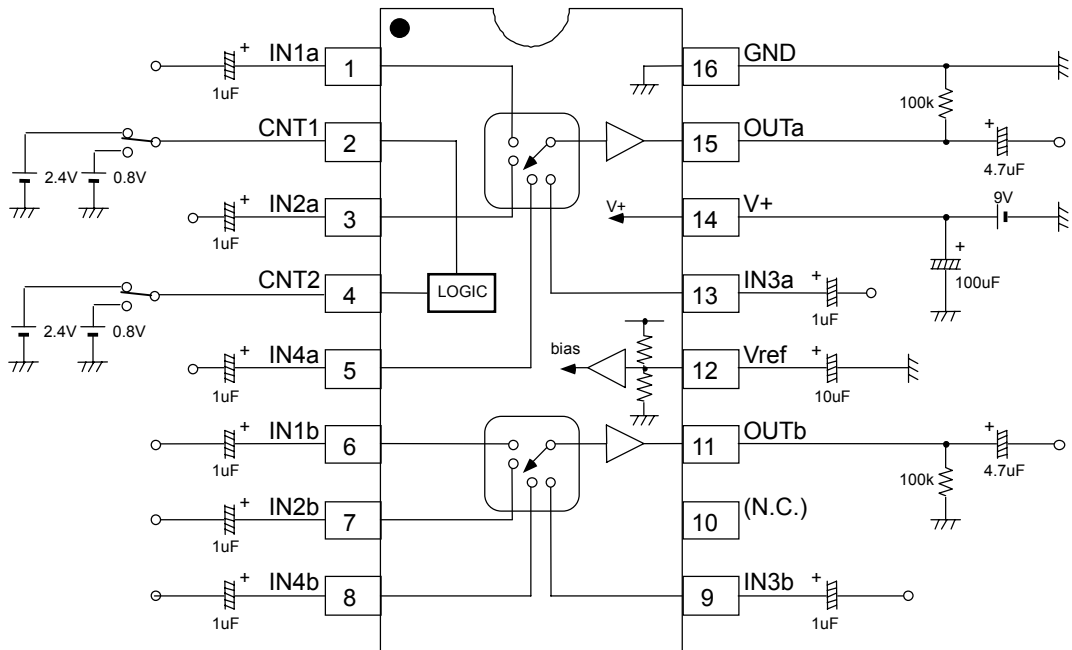
PIN No.	SYMBLE	EQUIVALENT CIRCUIT	VOLTAGE	NOTE
1 3 5 6 7 8 9 13	IN1a IN2a IN4a IN1b IN2b IN4b IN3b IN3a		$V+/2$	
2 4	CNT1 CNT2		0V (GND)	
11 15	OUTb OUTa		$V+/2$	
12	Vref		$V+/2$	
14 16	V+ GND		$V+$ 0V	

NJM2750

APPLICATION CIRCUIT

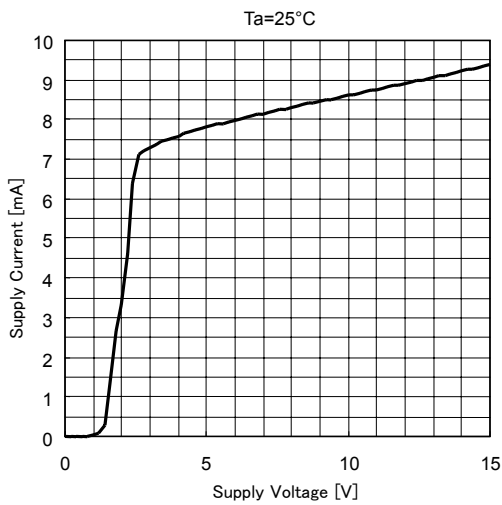


MEASUREMENT CIRCUIT

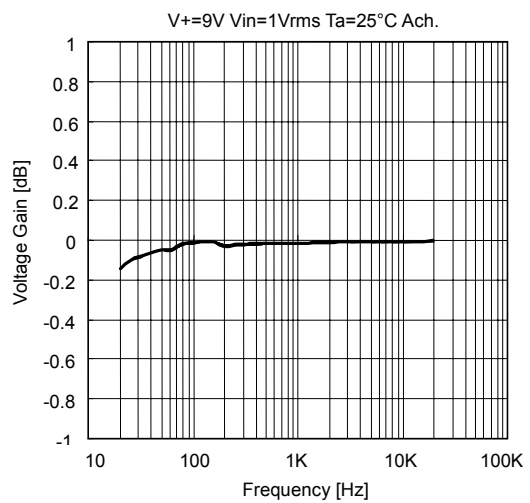


■ TYPICAL CHARACTERISTICS

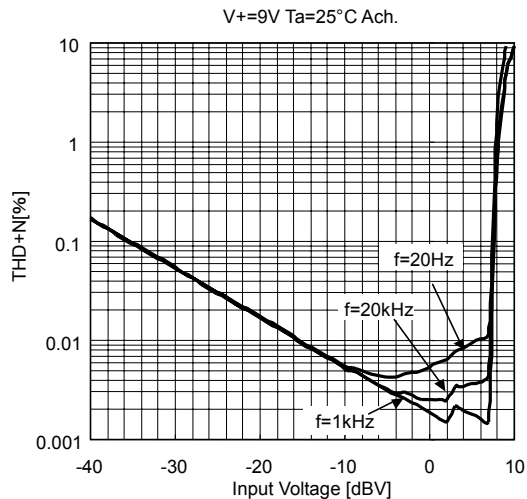
Supply Current vs Supply Voltage



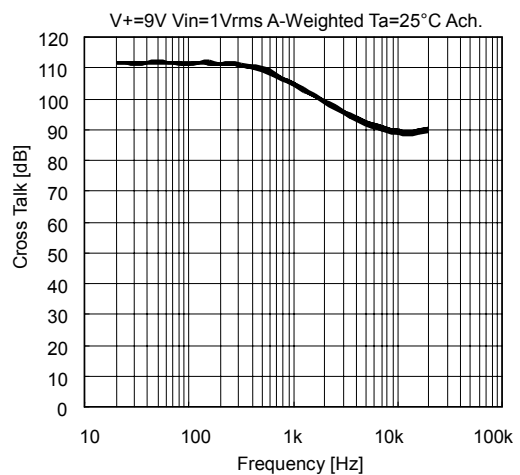
Voltage Gain vs Frequency Response



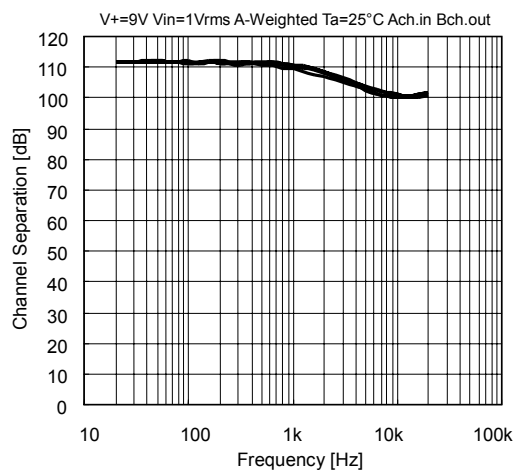
Total Harmonic Distortion vs Input Voltage



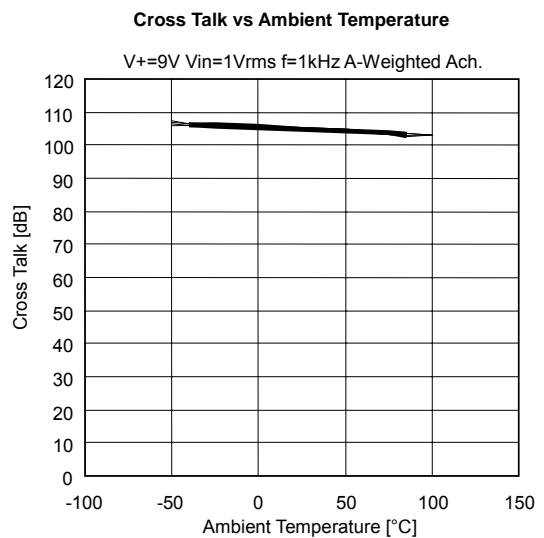
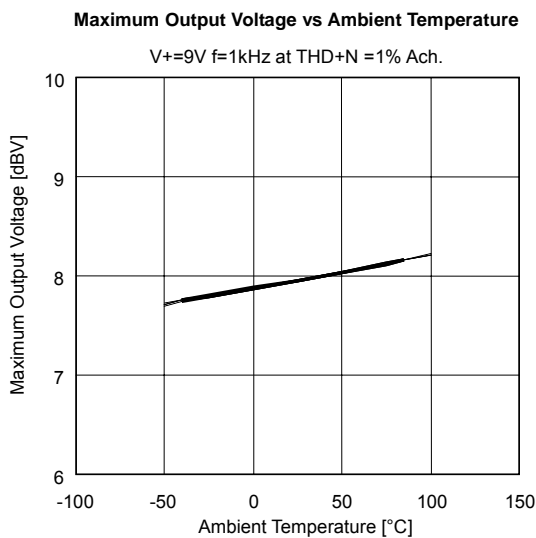
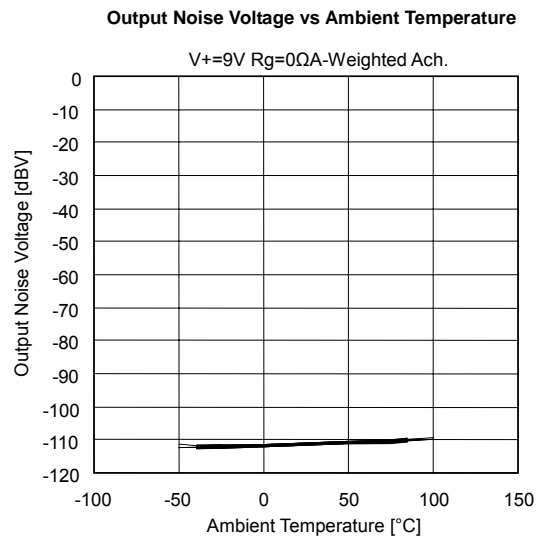
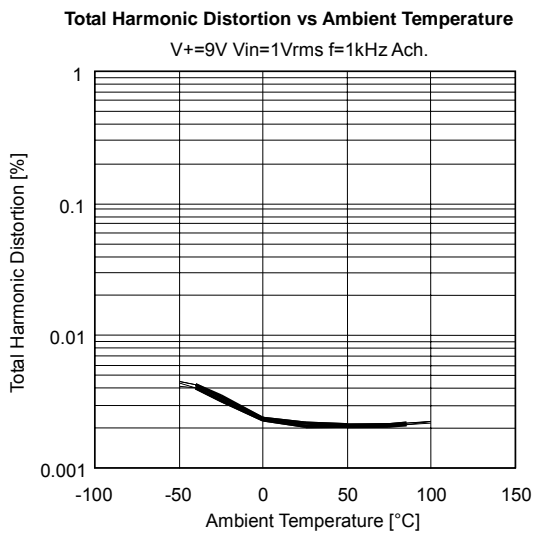
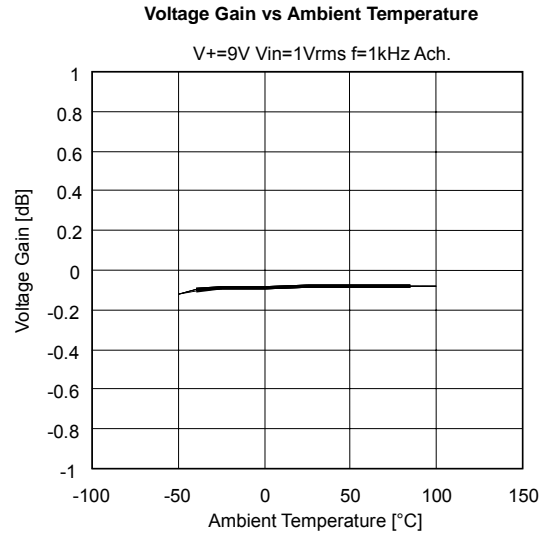
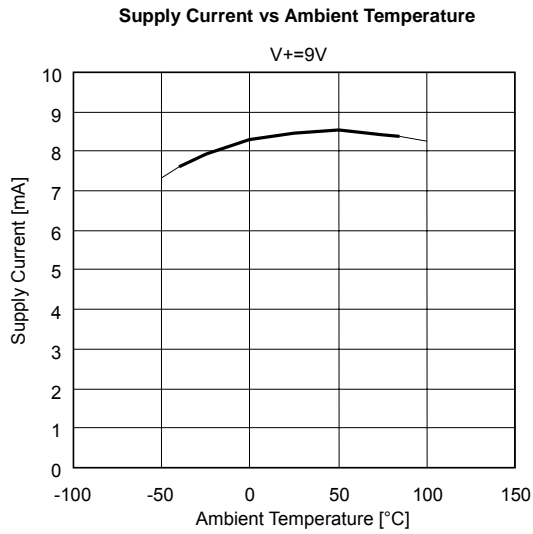
Cross Talk vs Frequency Response



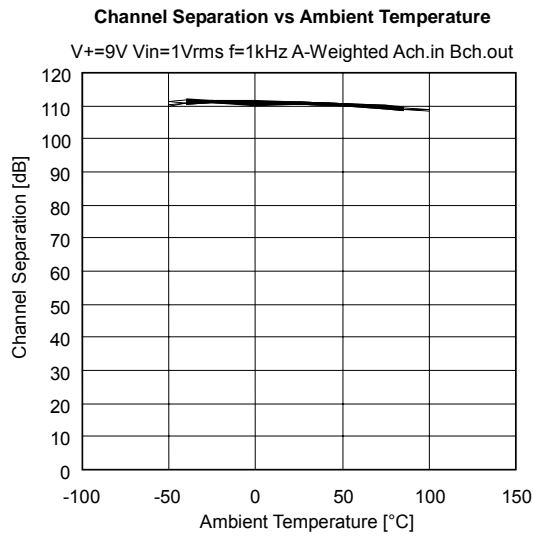
Channel Separation vs Frequency Response



■ TYPICAL CHARACTERISTICS



■ TYPICAL CHARACTERISTICS



[CAUTION]

The specifications on this databook are only given for information, without any guarantee as regards either mistakes or omissions. The application circuits in this databook are described only to show representative usages of the product and not intended for the guarantee or permission of any right including the industrial rights.