

阅读申明

- 1.本站收集的数据手册和产品资料都来自互联网，版权归原作者所有。如读者和版权方有任何异议请及时告之，我们将妥善解决。
- 2.本站提供的中文数据手册是英文数据手册的中文翻译，其目的是协助用户阅读，该译文无法自动跟随原稿更新，同时也可能存在翻译上的不当。建议读者以英文原稿为参考以便获得更精准的信息。
- 3.本站提供的产品资料，来自厂商的技术支持或者使用者的心得体会等，其内容可能存在描述上的差异，建议读者做出适当判断。
- 4.如需与我们联系，请发邮件到marketing@iczoom.com，主题请标有“数据手册”字样。

Read Statement

1. The datasheets and other product information on the site are all from network reference or other public materials, and the copyright belongs to the original author and original published source. If readers and copyright owners have any objections, please contact us and we will deal with it in a timely manner.
2. The Chinese datasheets provided on the website is a Chinese translation of the English datasheets. Its purpose is for reader's learning exchange only and do not involve commercial purposes. The translation cannot be automatically updated with the original manuscript, and there may also be improper translations. Readers are advised to use the English manuscript as a reference for more accurate information.
3. All product information provided on the website refer to solutions from manufacturers' technical support or users the contents may have differences in description, and readers are advised to take the original article as the standard.
4. If you have any questions, please contact us at marketing@iczoom.com and mark the subject with "Datasheets" .

9-Input 3-Output Stereo Audio Selector

■ GENERAL DESCRIPTION

The NJW1111 is a 9-input 3-output stereo audio selector. It includes three independent 9input-1output stereo audio selectors and adjustable gain buffers.

The NJW1111 performs superior audio characteristics such as low distortion, low output noise and low crosstalk.

All of internal status and variables are controlled by three-wired serial bus. Selectable two Chip address is available for using two chips on same serial bus line. It is suitable for AV amplifier and receiver system and others.

■ PACKAGE OUTLINE

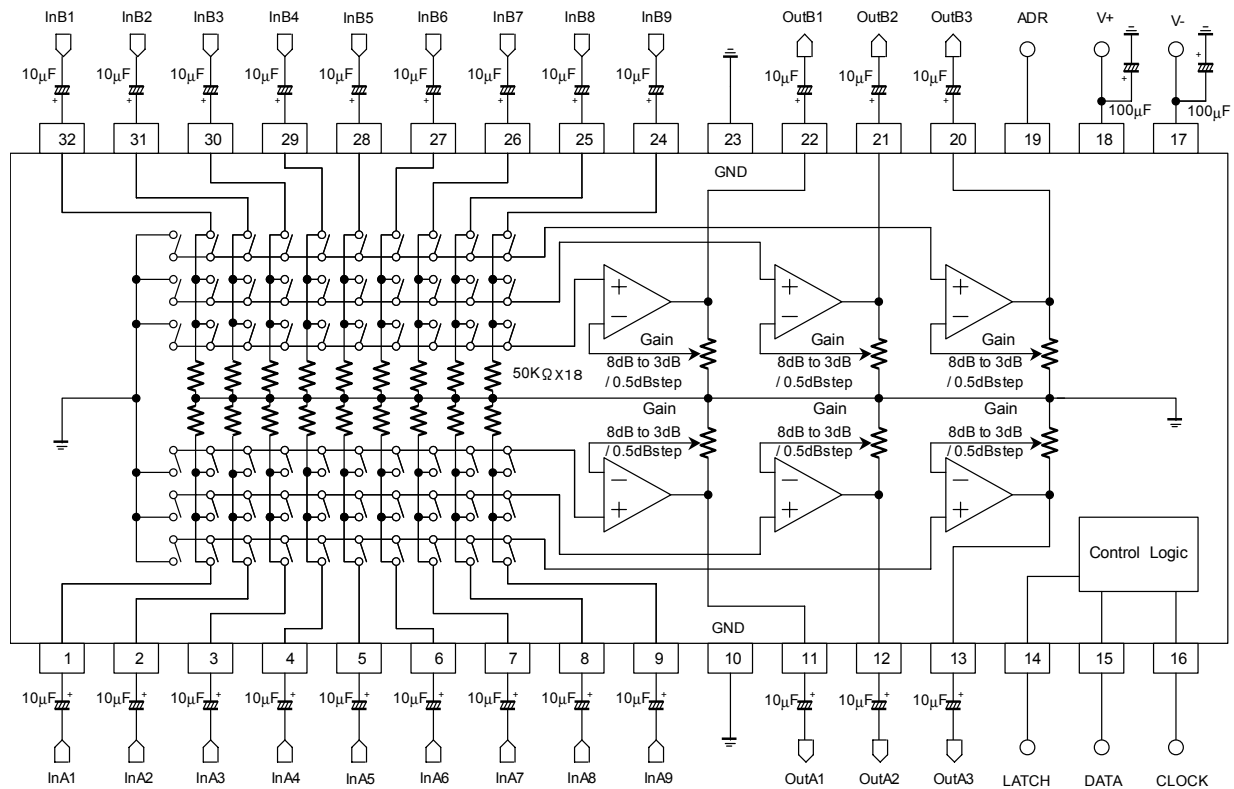


NJW1111V

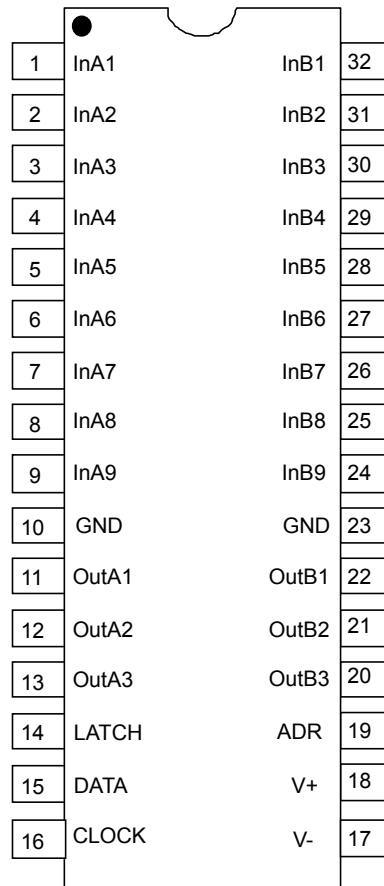
■ FEATURES

- Operating Voltage ±4.5 to ±7.5V
- 9-Input, 3-Output Stereo Audio Selector
- Operating Current 8mA typ.
- Low Distortion 0.0007% typ.
- Low Output Noise -116dBV typ.
- Low Crosstalk 110dB typ.
- Channel Separation 110dB typ.
- Variable Gain Buffer 0, 3 to 8dB/0.5dB step
- 3-Wired Serial Control
- Bi-CMOS Technology
- Package Outline SSOP32

■ BLOCK DIAGRAM



■PIN CONFIGURATION



No.	Symbol	Function	No.	Symbol	Function
1	InA1	Ach Input 1	17	V-	V- Power Supply Terminal
2	InA2	Ach Input 2	18	V+	V+ Power Supply Terminal
3	InA3	Ach Input 3	19	ADR	Chip address setting terminal
4	InA4	Ach Input 4	20	OutB3	Bch Output 3
5	InA5	Ach Input 5	21	OutB2	Bch Output 2
6	InA6	Ach Input 6	22	OutB1	Bch Output 1
7	InA7	Ach Input 7	23	GND	Ground Terminal
8	InA8	Ach Input 8	24	InB9	Bch Input 9
9	InA9	Ach Input 9	25	InB8	Bch Input 8
10	GND	Ground Terminal	26	InB7	Bch Input 7
11	OutA1	Ach Output 1	27	InB6	Bch Input 6
12	OutA2	Ach Output 2	28	InB5	Bch Input 5
13	OutA3	Ach Output 3	29	InB4	Bch Input 4
14	LATCH	LATCH	30	InB3	Bch Input 3
15	DATA	DATA	31	InB2	Bch Input 2
16	CLOCK	CLOCK	32	InB1	Bch Input 1

■ ABSOLUTE MAXIMUM RATING (Ta=25°C)

PARAMETER	SYMBOL	RATING	UNIT
Power Supply Voltage	V ⁺	+8/-8	V
Maximum Input Voltage	V _{IM}	V ⁺ /V ⁻	V
Power Dissipation	P _D	800 <small>NOTE: EIA/JEDEC STANDARD Test board (76.2x114.3x1.6mm, 2layer, FR-4) mounting</small>	mW
Operating Temperature Range	Topr	-40 to +85	°C
Storage Temperature Range	Tstg	-40 to +125	°C

■ RECOMMENDED OPERATING CONDITIONS (Ta=25°C)

PARAMETER	SYMBOL	TEST CONDITION	MIN.	TYP.	MAX.	UNIT
Operating Voltage	V ⁺ /V ⁻	-	±4.5	±7.0	±7.5	V

■ ELECTRICAL CHARACTERISTICS

◆ Power Supply (Ta=25°C, V⁺/V⁻=±7V)

PARAMETER	SYMBOL	TEST CONDITION	MIN.	TYP.	MAX.	UNIT
Supply Current 1	I _{CC}	V ⁺ , No Signal	4.0	8.0	12.0	mA
Supply Current 2	I _{EE}	V ⁻ No Signal	4.0	8.0	12.0	mA

◆ AC CHARACTERISTICS (Ta=25°C, V⁺/V⁻=±7V, V_{IN}=1Vrms, f=1kHz, R_L=47kΩ)

PARAMETER	SYMBOL	TEST CONDITION	MIN.	TYP.	MAX.	UNIT
Maximum Output Voltage	V _{OM}	THD=1%	10.6 (3.4)	12.9 (4.4)	-	dBV (Vrms)
Voltage Gain 1	G _{V1}	-	-0.5	0	0.5	dB
Voltage Gain 2	G _{V2}	V _{IN} =200mVrms, Gain=6dB	5.0	6.0	7.0	
Total Harmonic Distortion 1	THD1	BW=400Hz-30kHz	-	0.0007	0.02	%
Total Harmonic Distortion 2	THD2	V _{in} =2Vrms, BW=400Hz-30kHz	-	0.001	-	
Total Harmonic Distortion 3	THD3	f=10kHz, BW=400Hz-30kHz	-	0.001	-	
Mute Level	A _{TT}	Selector=Mute, A-weighted	-	-110	-	dB
Output Noise	V _{NO}	Rg=0Ω, A-Weighted	-	-116 (1.6)	-106 (5.0)	dBV (μVrms)
Cross Talk 1	CT1	Rg=0Ω, A-Weighted	-	-110	-	dB
Cross Talk 2	CT2	Rg=0Ω, f=20kHz	-	-96	-	
Channel Separation 1	CS1	Rg=0Ω, A-Weighted	-	-110	-90	dB
Channel Separation 2	CS2	Rg=0Ω, f=20kHz	-	-96	-	

BW: Band Width

◆ Logic Control Characteristics (Ta=25°C, V⁺/V⁻=±7V)

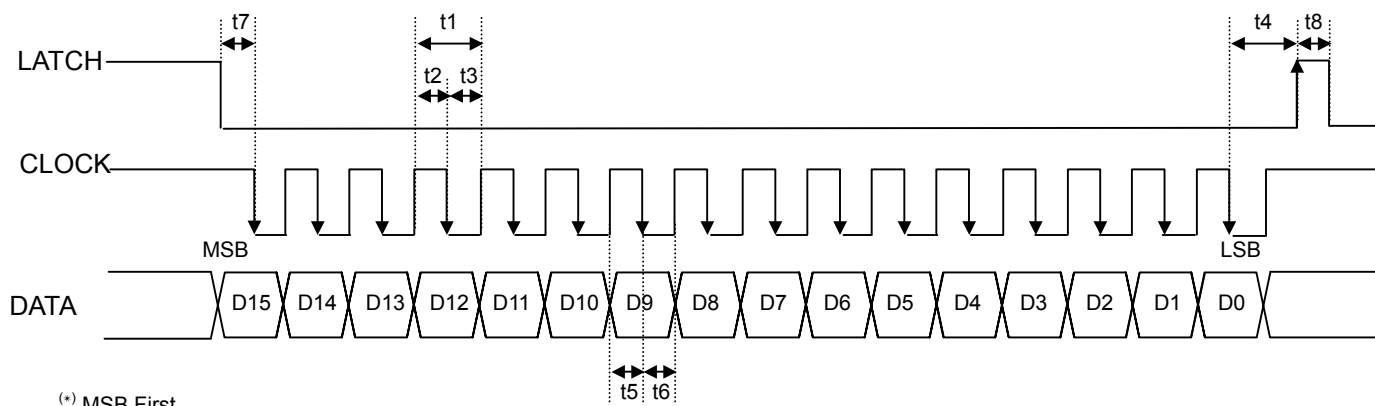
PARAMETER	SYMBOL	TEST CONDITION	MIN.	TYP.	MAX.	UNIT
High Level Input Voltage	V _{ADRH}	ADR Terminal	2.5	-	V ⁺	V
Low Level Input Voltage	V _{ADRL}	ADR Terminal	0	-	1.5	

NJW1111

■ TERMINAL DESCRIPTION

PIN NO.	SYMBOL	FUNCTION	EQUIVALENT CIRCUIT	TERMINAL DC VOLTAGE
1 to 9 32 to 24	InA1 to 9 InB1 to 9	Ach Input 1 to 9 Bch Input 1 to 9		0V
11 to 13 22 to 20	OutA1 to 3 OutB1 to 3	Ach Output 1 to 3 Bch Output 1 to 3		0V
17,18	V-,V+	V-,V+ Power Supply Terminal		V-,V+
10 23	GND	Ground Terminal		0V
14 15 16 19	LATCH DATA CLOCK ADR	LATCH DATA CLOCK Chip address setting terminal		0V

■ CONTROL DATA FORMAT



SYMBOL	PARAMETER	MIN	TYP	MAX	UNIT
t1	CLOCK Clock Width	4	-	-	μs
t2	CLOCK Pulse Width (High)	2	-	-	μs
t3	CLOCK Pulse Width (Low)	2	-	-	μs
t4	LATCH Rise Hold Time	4	-	-	μs
t5	DATA Setup Time	1.6	-	-	μs
t6	DATA Hold Time	1.6	-	-	μs
t7	CLOCK Setup Time	1.6	-	-	μs
t8	LATCH High Pulse Width	1.6	-	-	μs

NJW1111

■ CONTROL DATA

NJW1111 control data is constructed with 16bits.

MSB

D15	D14	D13	D12	D11	D10	D9	D8	D7	D6	D5	D4	D3	D2	D1	D0
Setting DATA								Select Address				Chip Address			

MSB

D15	D14	D13	D12	D11	D10	D9	D8	D7	D6	D5	D4	D3	D2	D1	D0
Gain1				Selector1				0	0	0	0	*	*	*	*
Gain2				Selector2				0	0	0	1	*	*	*	*
Gain3				Selector3				0	0	1	0	*	*	*	*

* Chip address is set by chip address select terminal (ADR) status.

Chip address select terminal	Chip Address			
	D3	D2	D1	D0
Low	1	0	1	0
High	1	0	1	1

■ INITIAL CONDITION

MSB

D15	D14	D13	D12	D11	D10	D9	D8	D7	D6	D5	D4	D3	D2	D1	D0
0	0	0	0	0	0	0	0	0	0	0	0	*	*	*	*
0	0	0	0	0	0	0	0	0	0	0	1	*	*	*	*
0	0	0	0	0	0	0	0	0	0	1	0	*	*	*	*

* Chip address is set by chip address select terminal (ADR) status.

■ CONTROL DATA

D15	D14	D13	D12	D11	D10	D9	D8	D7	D6	D5	D4	D3	D2	D1	D0
Gain1				Selector1				0	0	0	0	*	*	*	*
Gain2				Selector2				0	0	0	1	*	*	*	*
Gain3				Selector3				0	0	1	0	*	*	*	*

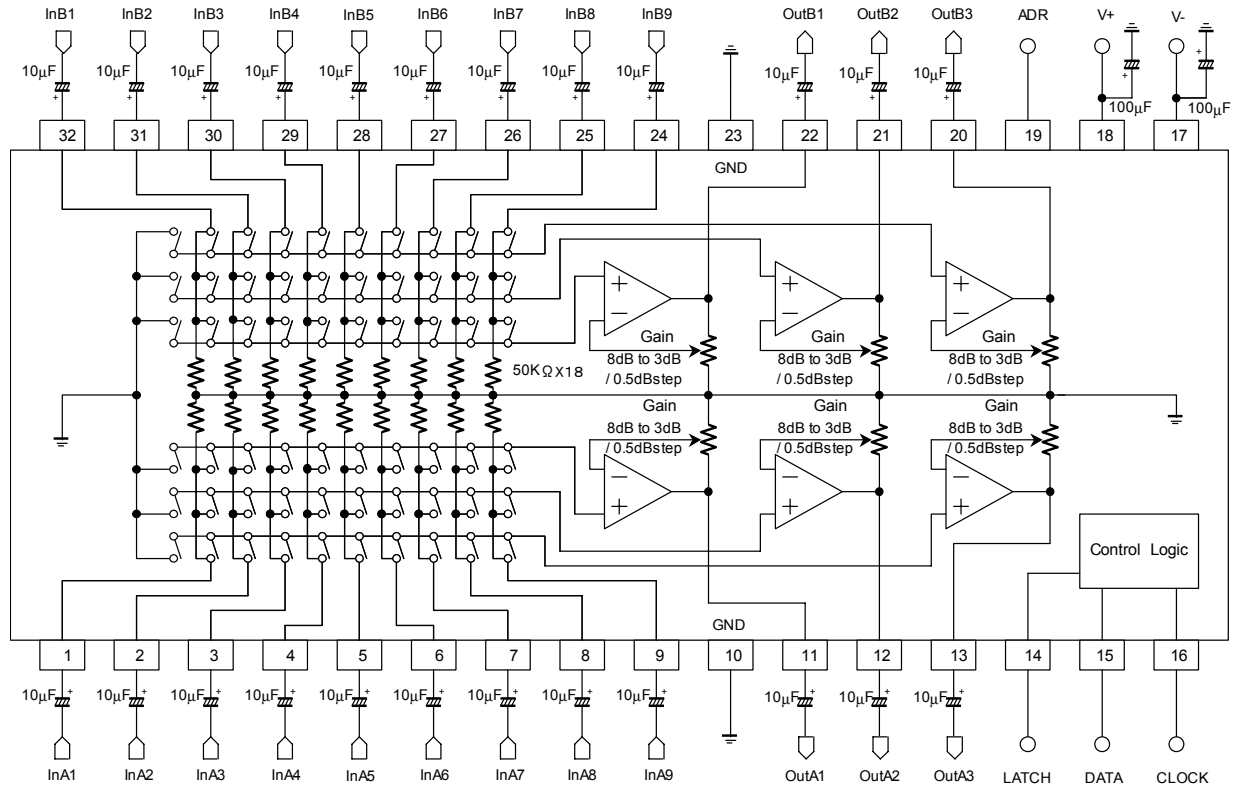
a)Gain

DATA				Setting
D15	D14	D13	D2	
0	0	0	0	0dB
0	0	0	1	+3.0 dB
0	0	1	0	+3.5 dB
0	0	1	1	+4.0 dB
0	1	0	0	+4.5 dB
0	1	0	1	+5.0 dB
0	1	1	0	+5.5 dB
0	1	1	1	+6.0 dB
1	0	0	0	+6.5 dB
1	0	0	1	+7.0 dB
1	0	1	0	+7.5 dB
1	0	1	1	+8.0 dB

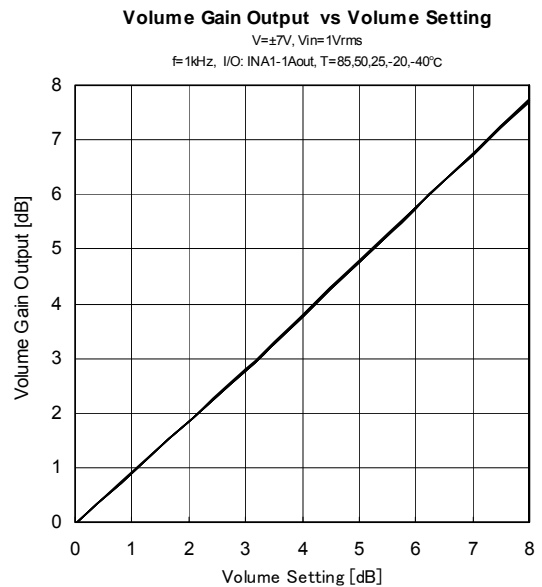
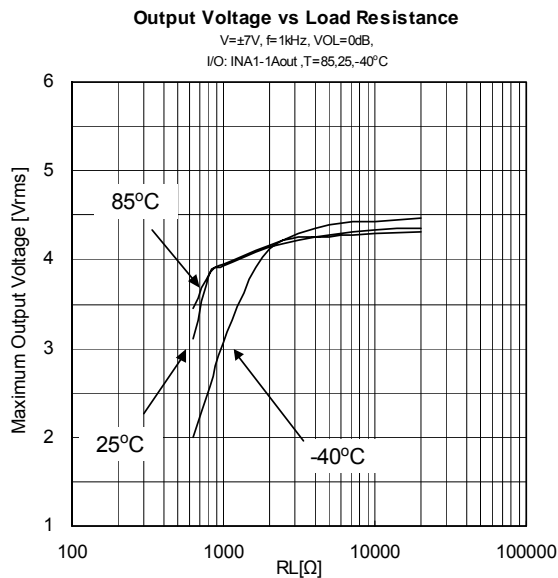
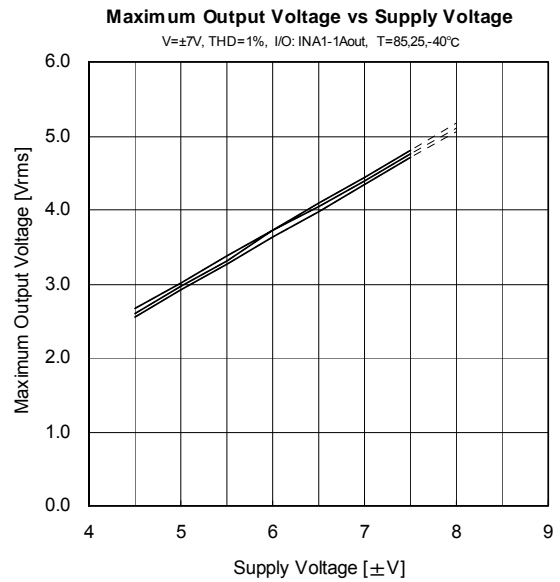
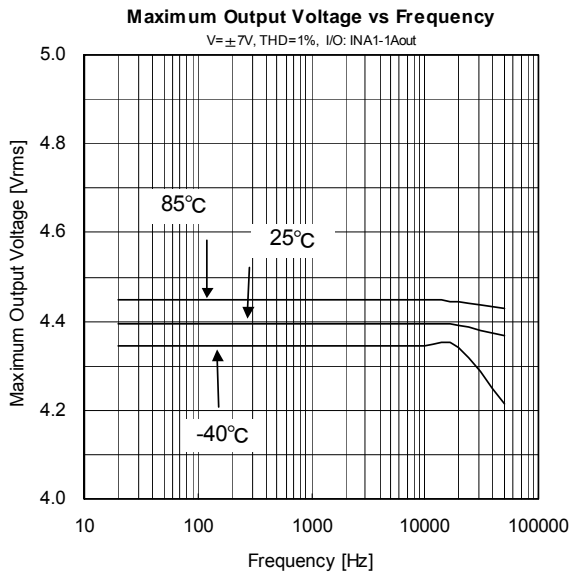
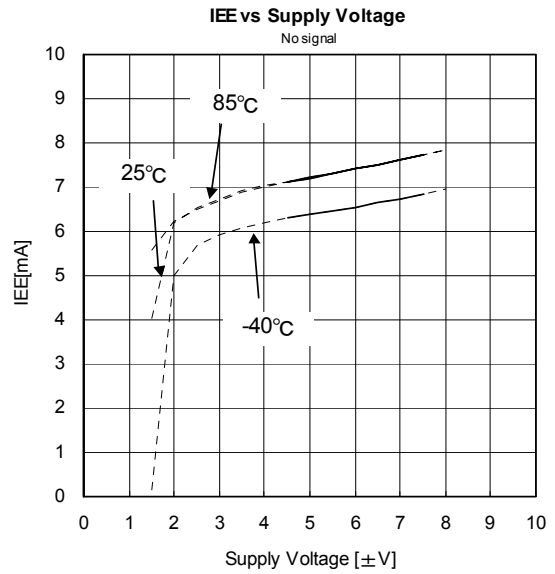
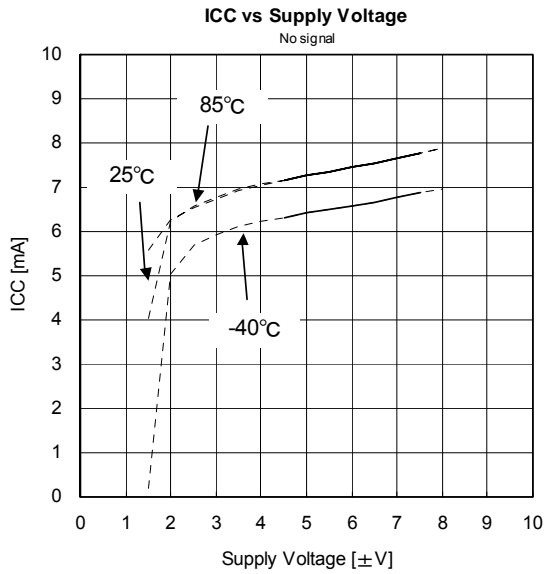
b)Input Selector

DATA				Setting
D11	D10	D9	D8	
0	0	0	0	Mute ^(*)
0	0	0	1	InA1/B1
0	0	1	0	InA2/B2
0	0	1	1	InA3/B3
0	1	0	0	InA4/B4
0	1	0	1	InA5/B5
0	1	1	0	InA6/B6
0	1	1	1	InA7/B7
1	0	0	0	InA8/B8
1	0	0	1	InA9/B9

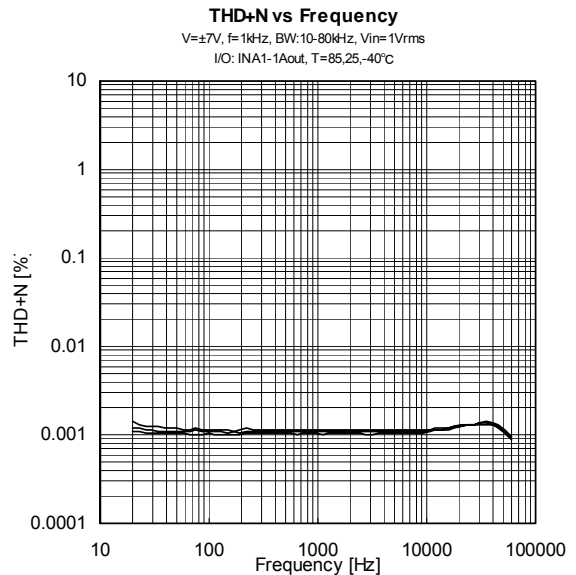
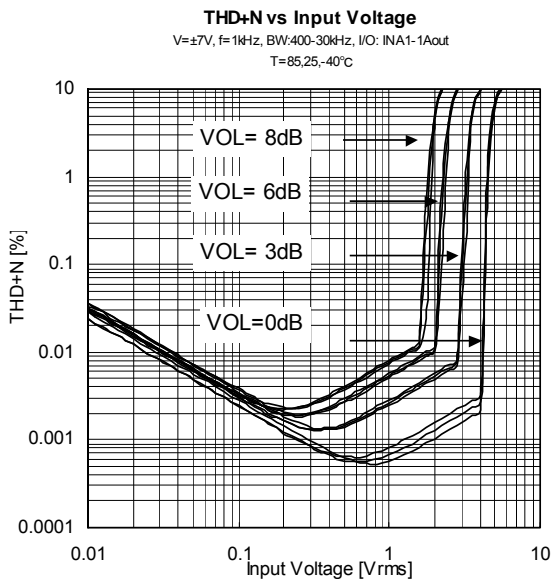
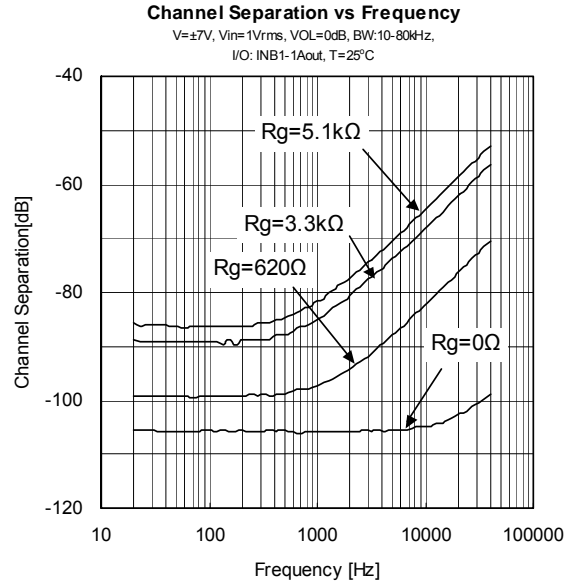
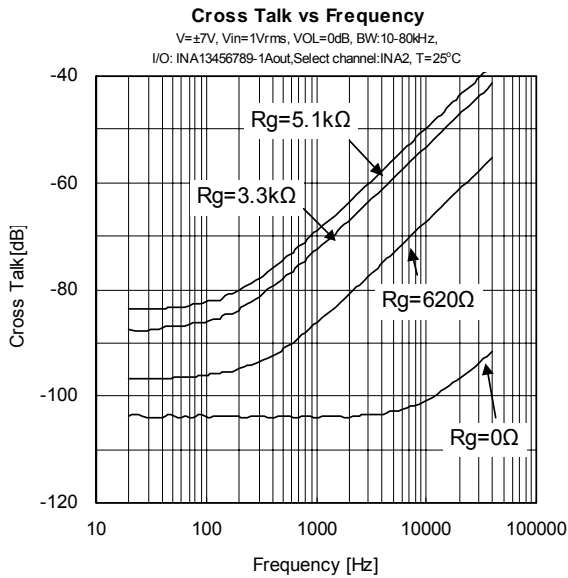
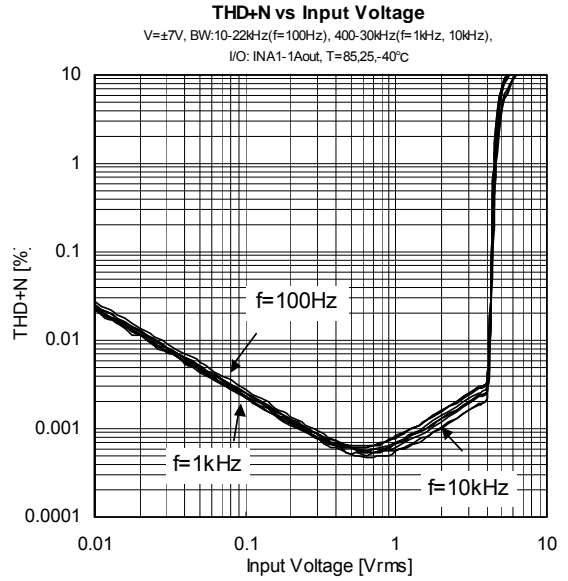
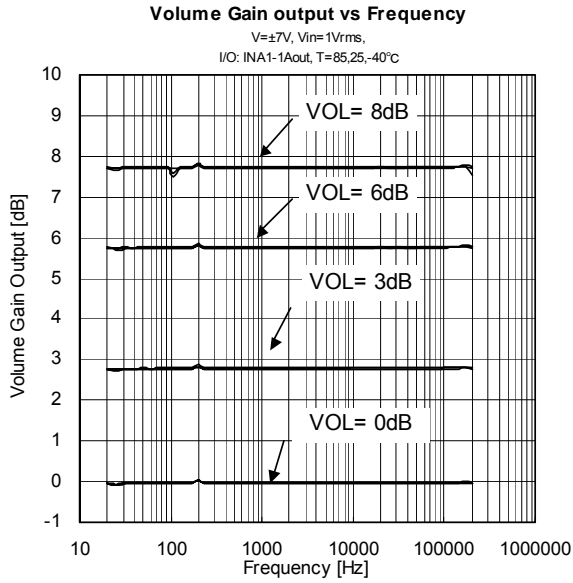
APPLICATION CIRCUIT



TYPICAL CHARACTERISTICS



TYPICAL CHARACTERISTICS



[CAUTION]

The specifications on this databook are only given for information, without any guarantee as regards either mistakes or omissions. The application circuits in this databook are described only to show representative usages of the product and not intended for the guarantee or permission of any right including the industrial rights.