

## 阅读申明

- 1.本站收集的数据手册和产品资料都来自互联网，版权归原作者所有。如读者和版权方有任何异议请及时告之，我们将妥善解决。
- 2.本站提供的中文数据手册是英文数据手册的中文翻译，其目的是协助用户阅读，该译文无法自动跟随原稿更新，同时也可能存在翻译上的不当。建议读者以英文原稿为参考以便获得更精准的信息。
- 3.本站提供的产品资料，来自厂商的技术支持或者使用者的心得体会等，其内容可能存在描述上的差异，建议读者做出适当判断。
- 4.如需与我们联系，请发邮件到marketing@iczoom.com，主题请标有“数据手册”字样。

## Read Statement

1. The datasheets and other product information on the site are all from network reference or other public materials, and the copyright belongs to the original author and original published source. If readers and copyright owners have any objections, please contact us and we will deal with it in a timely manner.
2. The Chinese datasheets provided on the website is a Chinese translation of the English datasheets. Its purpose is for reader's learning exchange only and do not involve commercial purposes. The translation cannot be automatically updated with the original manuscript, and there may also be improper translations. Readers are advised to use the English manuscript as a reference for more accurate information.
3. All product information provided on the website refer to solutions from manufacturers' technical support or users the contents may have differences in description, and readers are advised to take the original article as the standard.
4. If you have any questions, please contact us at marketing@iczoom.com and mark the subject with "Datasheets" .

# RHYTHM SB3231

## Pre-configured DSP System for Hearing Aids

### Description

ON Semiconductor's RHYTHM™ SB3231 hybrid is a trimmer-configurable DSP system based on a four-channel compression circuit featuring Adaptive Feedback Cancellation, Adaptive Noise Reduction, and FrontWave static directionality.

Based on a phase cancellation method, Rhythm SB3231's Adaptive Feedback Reduction algorithm provides added stable gain to enable extra gain and user comfort. It features rapid adjustment for dynamic feedback situations and resistance to tonal inputs.

Rhythm SB3231's Adaptive Noise Reduction monitors noise levels independently in 64 individual bands and employs advanced psychoacoustic models to provide user comfort.

The FrontWave directional system utilizes a pair of microphones to create a fully customizable static polar pattern, such as bidirectional, cardioid, hyper-cardioid and super-cardioid.

In addition to these adaptive algorithms, Rhythm SB3231 also supports the following features: up to four channel WDRC, low-distortion compression limiting, cross fading between audio paths for click-free memory changes, eight-band graphic equalizer, eight configurable generic biquad filters, programming speed enhancements, in-channel squelch to attenuate microphone and circuit noise in quiet environments, optional peak clipping, flexible compression adjustments, volume control, rocker switch, noise generation for Tinnitus treatment, and industry-leading security features to avoid cloning and software piracy.

A trimmer interface supports manual circuit configuration. It continuously monitors trimmer positions and translates them into the hearing-aid parameters of choice. A Serial Data or I<sup>2</sup>C Interface provides full programmability at the factory and in the field.

The Rhythm SB3231 hybrid contains a 256 kbit EEPROM intended for programmable and trimmer based devices.

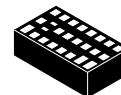
### Features

- FrontWave Static Directional
- Adaptive Noise Reduction
- Adaptive Feedback Cancellation
- WDRC Compression with Choice of 1, 2 or 4 Channels of Compression
- Auto Telecoil with Programmable Delay
- EVOKE LITE™ Acoustic Indicators
- Noise Generator for Tinnitus Treatment or In-situ Audiometry
- Frequency Response Shaping with Graphic EQ
- Trimmer Compatibility – Four Three-Terminal Trimmers with Configurable Assignments of Control Parameters



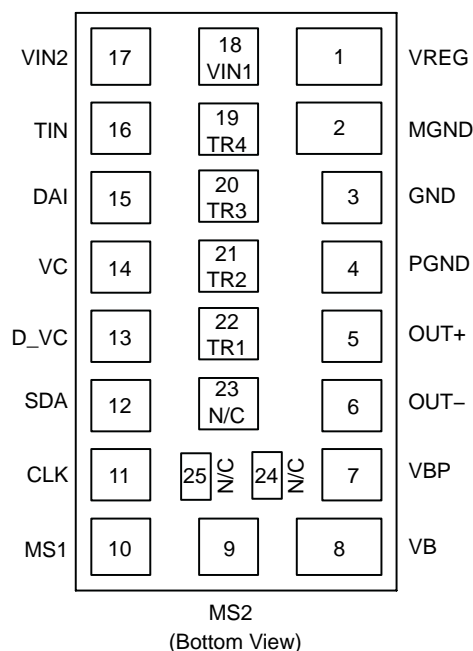
ON Semiconductor®

[www.onsemi.com](http://www.onsemi.com)

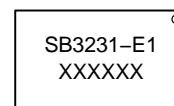


25 PAD  
HYBRID  
CASE 127DN

### PAD CONNECTION



### MARKING DIAGRAM



SB3231 = Specific Device Code  
E1 = RoHS Compliant Hybrid  
XXXXXX = Work Order Number

### ORDERING INFORMATION

See detailed ordering and shipping information on page 14 of this data sheet.

# RHYTHM SB3231

- I<sup>2</sup>C and SDA Programming
- Rocker Switch Support for Memory Change and/or Volume Control Adjustment
- Support for Active Hi or Active Lo Switching
- Analog or Digital Volume Control with Programmable Range
- High Quality 20-bit Audio Processing
- High Power/High Gain Capability
- SOUNDFIT<sup>®</sup> Fitting Software
- Configurable Low Battery Indicator
- Eight Biquadratic Filters
- 16 kHz or 8 kHz Bandwidth
- Four Fully Configurable Memories with Audible Memory Change Indicator
- 96 dB Input Dynamic Range with HRX<sup>™</sup> Headroom Extension
- 128-bit Fingerprint Security System and Other Security Features to Protect against Device Cloning and Software Piracy
- High Fidelity Audio CODEC
- Soft Acoustic Fade between Memory Changes
- Drives Zero-Bias Two-Terminal Receivers
- E1 RoHS-compliant Hybrid
- Hybrid Typical Dimensions:  
0.220 x 0.125 x 0.060 in  
(5.59 x 3.18 x 1.52 mm)
- These Devices are Pb-Free and are RoHS Compliant

## BLOCK DIAGRAM

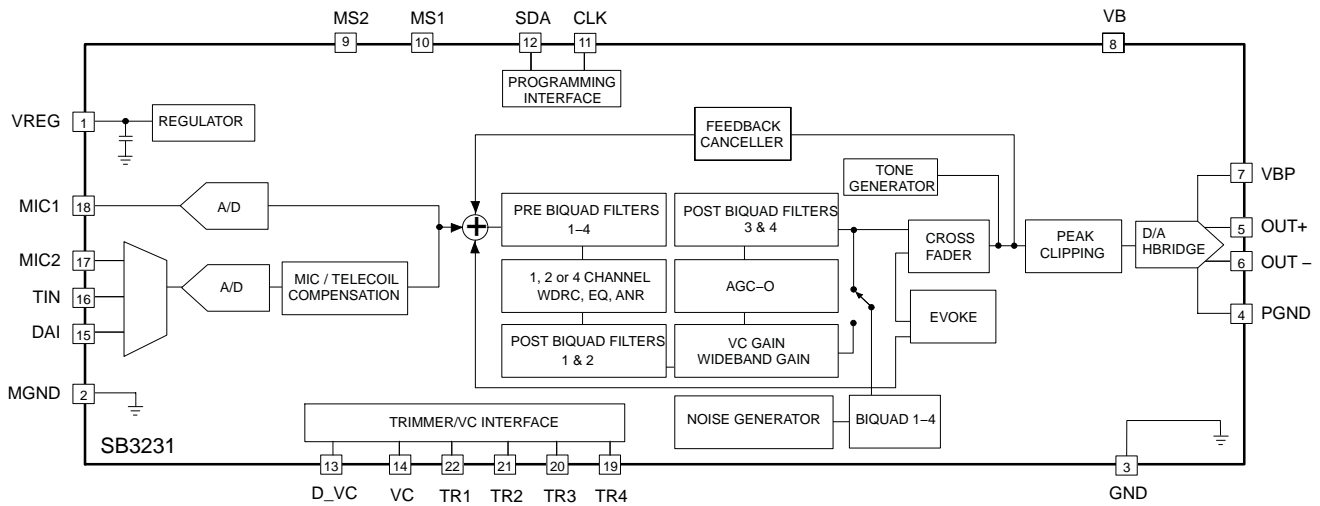


Figure 1. Hybrid Block Diagram

# RHYTHM SB3231

## SPECIFICATIONS

**Table 1. ABSOLUTE MAXIMUM RATINGS**

| Parameter                          | Value      | Units |
|------------------------------------|------------|-------|
| Operating Temperature Range        | 0 to 40    | °C    |
| Storage Temperature Range          | -20 to +70 | °C    |
| Absolute Maximum Power Dissipation | 25         | mW    |
| Maximum Operating Supply Voltage   | 1.65       | VDC   |
| Absolute Maximum Supply Voltage    | 1.8        | VDC   |

Stresses exceeding those listed in the Maximum Ratings table may damage the device. If any of these limits are exceeded, device functionality should not be assumed, damage may occur and reliability may be affected.

**WARNING:** Electrostatic Sensitive Device – Do not open packages or handle except at a static-free workstation.

**WARNING:** Moisture Sensitive Device – RoHS Compliant; Level 4 MSL. Do not open packages except under controlled conditions.

**Table 2. ELECTRICAL CHARACTERISTICS** (Supply Voltage  $V_B = 1.25$  V; Temperature = 25°C)

| Parameter                        | Symbol           | Conditions                          | Min   | Typ   | Max   | Units   |
|----------------------------------|------------------|-------------------------------------|-------|-------|-------|---------|
| Hybrid Current                   | $I_{AMP}$        | All functions, 32 kHz sampling rate | -     | 770   | -     | $\mu$ A |
|                                  |                  | All functions, 16 kHz sampling rate | -     | 600   | -     |         |
| Minimum Operating Supply Voltage | $V_{BOFF}$       | Ramp down, audio path               | 0.93  | 0.95  | 0.97  | V       |
|                                  |                  | Ramp down, control logic            | 0.77  | 0.80  | 0.83  |         |
| Supply Voltage Turn On Threshold | $V_{BON}$        | Ramp up                             | 1.06  | 1.10  | 1.16  | V       |
| EEPROM Burn Cycles               | -                | -                                   | 100 k | -     | -     | cycles  |
| Low Frequency System Limit       | -                | -                                   | -     | 125   | -     | Hz      |
| High Frequency System Limit      | -                | -                                   | -     | 16    | -     | kHz     |
| Total Harmonic Distortion        | THD              | $V_{IN} = -40$ dBV                  | -     | -     | 1     | %       |
| THD at Maximum Input             | THD <sub>M</sub> | $V_{IN} = -15$ dBV, HRX – ON        | -     | -     | 3     | %       |
| Clock Frequency                  | $f_{CLK}$        | -                                   | 3.973 | 4.096 | 4.218 | MHz     |
| Audio Path Latency               | -                | 8 kHz bandwidth                     | -     | 4.2   | -     | ms      |
|                                  |                  | 16 kHz bandwidth                    | -     | 4.0   | -     |         |
| System Power On Time (Note 1)    | -                | SB3231                              | -     | 1600  | -     | ms      |

### REGULATOR

|                   |                     |                                    |      |      |      |    |
|-------------------|---------------------|------------------------------------|------|------|------|----|
| Regulator Voltage | $V_{REG}$           | -                                  | 0.87 | 0.90 | 0.93 | V  |
| System PSRR       | PSRR <sub>SYS</sub> | 1 kHz, Input referred, HRX enabled | -    | 70   | -    | dB |

### INPUT

|                                |               |   |      |      |      |            |
|--------------------------------|---------------|---|------|------|------|------------|
| Input Referred Noise           | IRN           | Bandwidth 100 Hz – 8 kHz, HRX on            | -    | -108 | -106 | dBV        |
| Input Impedance                | $Z_{IN}$      | 1 kHz                                       | -    | 3    | -    | M $\Omega$ |
| Anti-aliasing Filter Rejection | -             | $f = f_{CLK}/2 - 8$ kHz, $V_{IN} = -40$ dBV | -    | 80   | -    | dB         |
| Crosstalk                      | -             | Between both A/D and Mux                    | -    | 60   | -    | dB         |
| Maximum Input Level            | -             | -   | -15  | -13  | -    | dBV        |
| Analogue Input Voltage Range   | $V_{AN\_IN}$  | $V_{IN1}, V_{IN2}, AI$                      | 0    | -    | 800  | mV         |
|                                | $V_{AN\_TIN}$ | $T_{IN}$                                    | -100 | -    | 800  |            |
| Input Dynamic Range            | -             | HRX – ON Bandwidth<br>100 Hz – 8 kHz        | -    | 95   | 96   | dB         |

1. Times do not include additional programmable startup delay.

# RHYTHM SB3231

**Table 2. ELECTRICAL CHARACTERISTICS** (Supply Voltage  $V_B = 1.25\text{ V}$ ; Temperature =  $25^\circ\text{C}$ )

| Parameter   | Symbol     | Conditions                | Min   | Typ       | Max   | Units         |
|---|------------|---------------------------|-------|-----------|-------|---------------|
| <b>OUTPUT</b>   |            |                           |       |           |       |               |
| D/A Dynamic Range                                     | –          | 100 Hz – 8 kHz            | –     | 88        | –     | dB            |
| Output Impedance                                      | $Z_{OUT}$  | –                         | –     | 10        | 13    | $\Omega$      |
| <b>CONTROL A/D</b>                                    |            |                           |       |           |       |               |
| Resolution (monotonic)                                | –          | –                         | 7     | –         | –     | bits          |
| Zero Scale Level                                      | –          | –                         | –     | 0         | –     | V             |
| Full Scale Level                                      | –          | –                         | –     | $V_{REG}$ | –     | V             |
| <b>VOLUME CONTROL</b>                                 |            |                           |       |           |       |               |
| Volume Control Resistance                             | $R_{VC}$   | Three-terminal connection | 100   | –         | 360   | $k\Omega$     |
| Volume Control Range                                  | –          | –                         | –     | –         | 42    | dB            |
| <b>PC_SDA INPUT</b>                                   |            |                           |       |           |       |               |
| Logic 0 Voltage                                       | –          | –                         | 0     | –         | 0.3   | V             |
| Logic 1 Voltage                                       | –          | –                         | 1     | –         | 1.25  | V             |
| <b>PC_SDA OUTPUT</b>                                  |            |                           |       |           |       |               |
| Stand-by Pull Up Current                              | –          | Creftrim = 6              | 3     | 5         | 6.5   | $\mu\text{A}$ |
| Sync Pull Up Current                                  | –          | Creftrim = 6              | 748   | 880       | 1020  | $\mu\text{A}$ |
| Max Sync Pull Up Current                              | –          | Creftrim = 15             | –     | 1380      | –     | $\mu\text{A}$ |
| Min Sync Pull Up Current                              | –          | Creftrim = 0              | –     | 550       | –     | $\mu\text{A}$ |
| Logic 0 Current (Pull Down)                           | –          | Creftrim = 6              | 374   | 440       | 506   | $\mu\text{A}$ |
| Logic 1 Current (Pull Up)                             | –          | Creftrim = 6              | 374   | 440       | 506   | $\mu\text{A}$ |
| Synchronization Time<br>(Synchronization Pulse Width) | $T_{SYNC}$ | Baud = 0                  | 237   | 250       | 263   | $\mu\text{s}$ |
|   |            | Baud = 1                  | 118   | 125       | 132   |               |
|   |            | Baud = 2                  | 59    | 62.5      | 66    |               |
|   |            | Baud = 3                  | 29.76 | 31.25     | 32.81 |               |
|   |            | Baud = 4                  | 14.88 | 15.63     | 16.41 |               |
|   |            | Baud = 5                  | 7.44  | 7.81      | 8.20  |               |
|   |            | Baud = 6                  | 3.72  | 3.91      | 4.10  |               |
|   |            | Baud = 7                  | 1.86  | 1.95      | 2.05  |               |

1. Times do not include additional programmable startup delay.

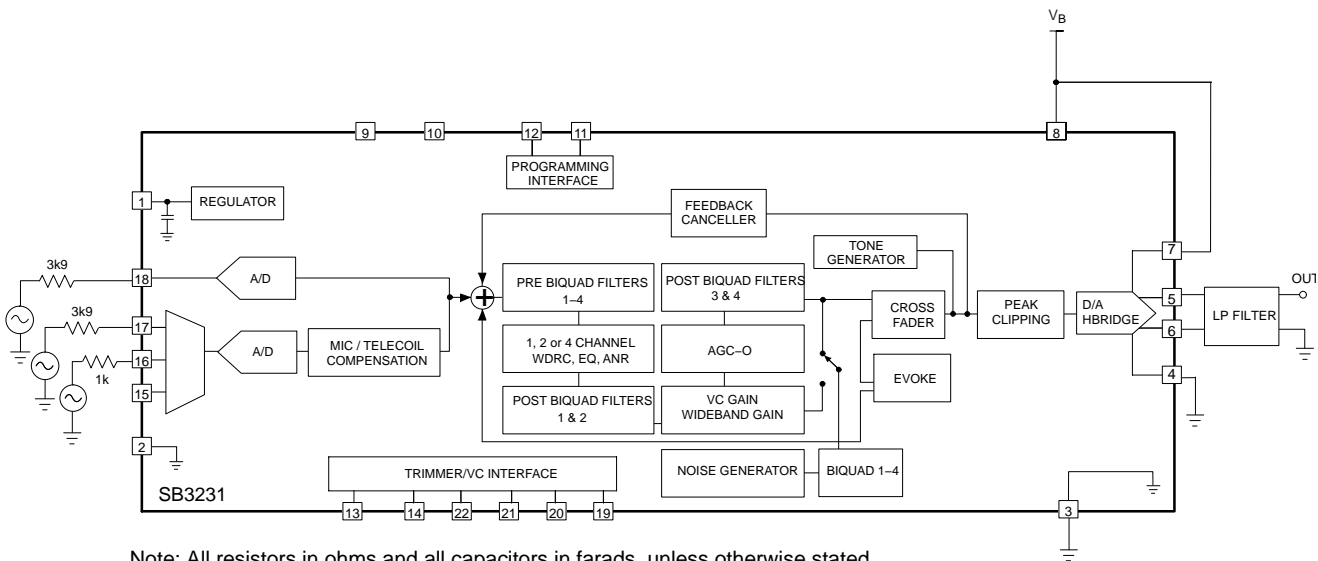
# RHYTHM SB3231

**Table 3. I<sup>2</sup>C TIMING**

| Parameter  | Symbol              | Standard Mode        |                       | Fast Mode                           |                      | Units |
|--|---------------------|----------------------|-----------------------|-------------------------------------|----------------------|-------|
|  |                     | Min                  | Max                   | Min                                 | Max                  |       |
| Clock Frequency  | f <sub>PC_CLK</sub> | 0                    | 100                   | 0                                   | 400                  | kHz   |
| Hold time (repeated) START condition. After this period, the first clock pulse is generated.               | t <sub>HD;STA</sub> | 4.0                  | –                     | 0.6                                 | –                    | μsec  |
| LOW Period of the PC_CLK Clock   | t <sub>LOW</sub>    | 4.7                  | –                     | –                                   | –                    | μsec  |
| HIGH Period of the PC_CLK Clock  | t <sub>HIGH</sub>   | 4.0                  | –                     | –                                   | –                    | μsec  |
| Set-up time for a repeated START condition   | t <sub>SU;STA</sub> | 4.7                  | –                     | –                                   | –                    | μsec  |
| Data Hold Time:<br>for CBUS Compatible Masters<br>for I <sup>2</sup> C-bus Devices                         | t <sub>HD;DAT</sub> | 5.0<br>0<br>(Note 1) | –<br>3.45<br>(Note 2) | –<br>0<br>(Note 1)                  | –<br>0.9<br>(Note 2) | μsec  |
| Data set-up time   | t <sub>SU;DAT</sub> | 250                  | –                     | 100                                 | –                    | nsec  |
| Rise time of both PC_SDA and PC_CLK signals  | t <sub>r</sub>      | –                    | 1000                  | 20 + 0.1 C <sub>b</sub><br>(Note 4) | 300                  | nsec  |
| Fall time of both PC_SDA and PC_CLK signals  | t <sub>f</sub>      | –                    | 300                   | 20 + 0.1 C <sub>b</sub><br>(Note 4) | 300                  | nsec  |
| Set-up time for STOP condition   | t <sub>SU;STO</sub> | 4.0                  | –                     | 0.6                                 | –                    | nsec  |
| Bus free time between a STOP and START condition   | t <sub>BUF</sub>    | 4.7                  | –                     | 1.3                                 | –                    | μsec  |
| Output fall time from V <sub>IHmin</sub> to V <sub>ILmax</sub> with a bus capacitance from 10 pF to 400 pF | t <sub>of</sub>     | –                    | 250                   | 20 + 0.1 C <sub>b</sub><br>(Note 4) | 250                  | nsec  |
| Pulse width of spikes which must be suppressed by the input filter   | t <sub>SP</sub>     | n/a                  | n/a                   | 0                                   | 50                   | nsec  |
| Capacitive load for each bus line  | C <sub>b</sub>      | –                    | 400                   | –                                   | 400                  | pF    |

1. A device must internally provide a hold time of at least 300 ns for the PC\_SDA signal to bridge the undefined region of the falling edge of PC\_CLK.
2. The maximum t<sub>HD;DAT</sub> has only to be met if the device does not stretch the LOW period (t<sub>LOW</sub>) of the PC\_CLK signal.
3. A Fast-mode I<sup>2</sup>C-bus device can be used in a Standard-mode I<sup>2</sup>C-bus system, but the requirement t<sub>SU;DAT</sub> ≥ 250ns must then be met. This will automatically be the case if the device does not stretch the LOW period of the PC\_CLK signal. If such a device does stretch the LOW period of the PC\_CLK signal, it must output the next data bit to the PC\_SDA line t<sub>r</sub> max + t<sub>SU;DAT</sub> = 1000 + 250 = 1250 ns (according to the Standard-mode I<sup>2</sup>C-bus specification) before the PC\_CLK line is released.
4. C<sub>b</sub> = total capacitance of one bus line in pF.

## TYPICAL APPLICATIONS

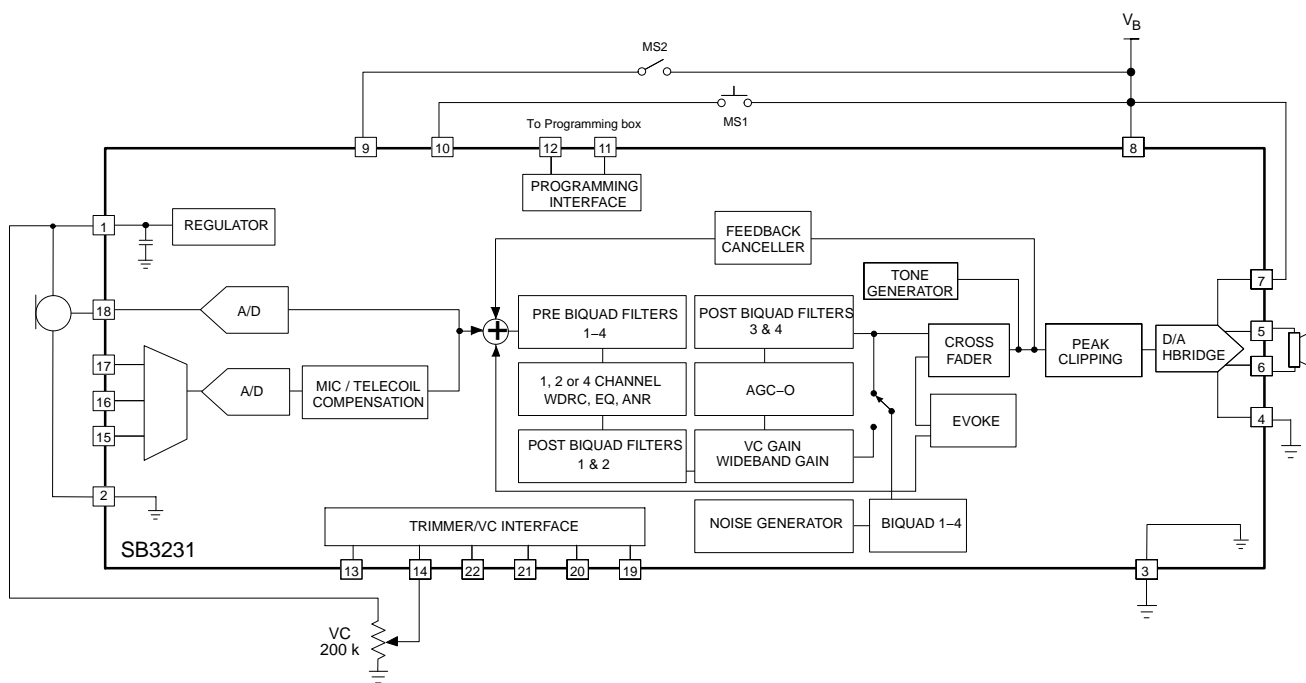


Note: All resistors in ohms and all capacitors in farads, unless otherwise stated.

**Figure 2. Test Circuit**

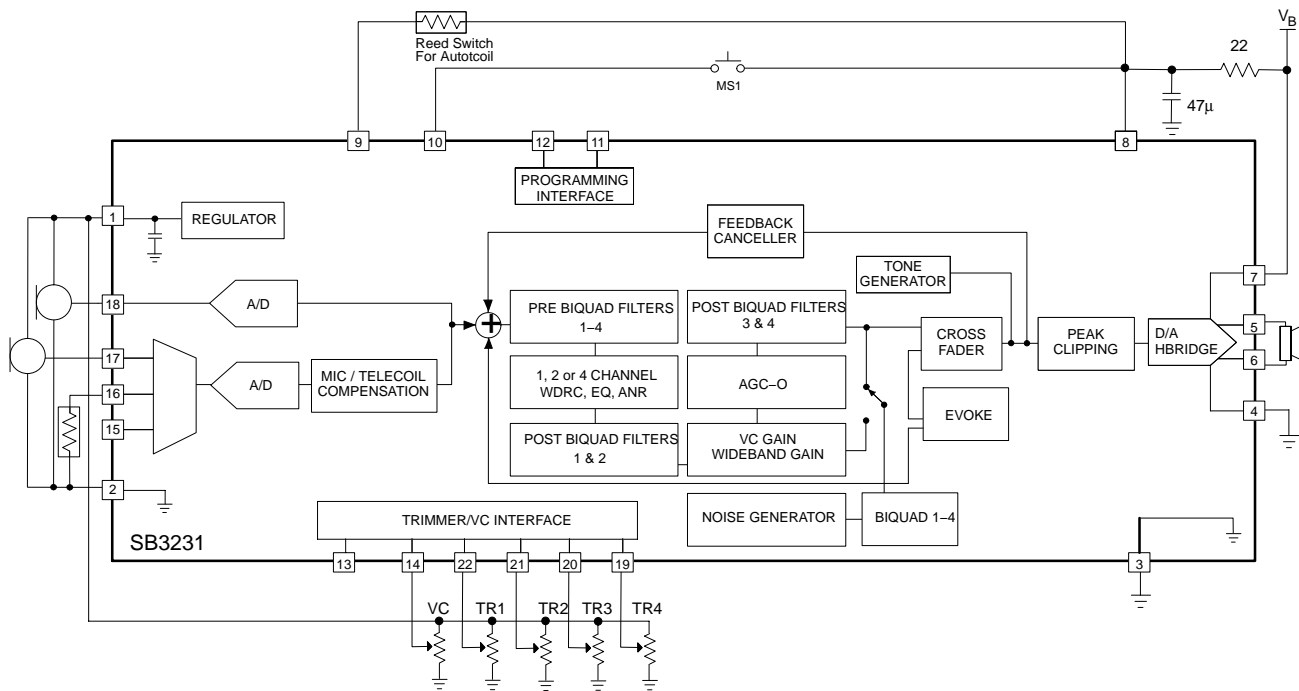
# RHYTHM SB3231

## TYPICAL APPLICATIONS (continued)



Note: All resistors in ohms and all capacitors in farads, unless otherwise stated.

Figure 3. Typical Programmable Application Circuit



Note: All resistors in ohms and all capacitors in farads, unless otherwise stated.

Figure 4. Typical Trimmer Application Circuit

# RHYTHM SB3231

## RHYTHM SB3231 OVERVIEW

Rhythm SB3231 is a DSP system implemented on ON Semiconductor's WOLVERINE™ hardware platform. Wolverine is the hearing industry's first 90 nm Silicon-on-Chip platform enabling design of highly-efficient and flexible hearing aid solutions. The device is packaged for easy integration into a wide range of applications from CIC to BTE. Rhythm SB3231 can be used as a programmable or trimmer adjustable device. It may be configured as one, two or four channels with linear or WDRC processing. Configuration data stored in non-volatile memory defines hearing-aid parameters. Rhythm SB3231 can be programmed via the SDA or I<sup>2</sup>C programming interfaces.

The DSP core implements Adaptive Feedback Cancellation, Adaptive Noise Reduction, FrontWave

directionality, compression, wideband gain, and volume control. The Adaptive Feedback Canceller reduces acoustic feedback while offering robust performance against pure tones.

The Rhythm SB3231 contains a 256 kbit EEPROM and can be used for both programmable and trimmer based applications. It is compatible with ON Semiconductor's ARK tools and SOUNDFIT fitting software.

During trimmer mode operation, a low-speed A/D circuit monitors the positions of up to four manual trimmers and a VC potentiometer. Trimmer position changes are immediately interpreted and translated into new circuit parameter values, which are then used to update the signal path.

## FUNCTIONAL BLOCK DESCRIPTION

### A/D and D/A Converter

The system's A/D converter is a 2nd-order sigma-delta modulator operating at a 2.048 MHz sample rate.

The system's input is pre-conditioned with anti-alias filtering and a programmable gain pre-amplifier. The analog output is oversampled and modulated to produce a 1-bit pulse density modulated (PDM) data stream. The digital PDM data is then decimated down to pulse-code modulated (PCM) digital words at the system's sampling rate of 32 kHz.

The D/A is comprised of a digital 3rd-order sigma-delta modulator and an H-bridge. The modulator accepts PCM audio data from the DSP path and converts it into a 64-times oversampled, 1-bit PDM data stream, which is then supplied to the H-bridge. The H-bridge is a specialized CMOS output driver used to convert the 1-bit data stream into a low-impedance, differential output voltage waveform suitable for driving zero-biased hearing aid receivers.

### Analog Inputs

Rhythm SB3231 provides for up to four analog inputs, Microphone 1 (MIC1), Microphone 2 (MIC2), Telecoil (TCOIL) and Direct Audio Input (DAI) with the following configurable front end modes:

- 1 Mic Omni
- 1 Mic Omni (Rear channel only)
- FrontWave Directional
- 2 Mic Omni (MIC1 + MIC2)
- DAI
- TCOIL
- 1 Mic Omni + TCOIL
- 1 Mic Omni + DAI

Attenuation can be applied to the input when mixing with either TCOIL or DAI inputs.

Analog input signals should be ground referenced to MGND. (Microphones, telecoils, DAI). MGND is internally connected to GND to minimize noise, and should not be connected to any external ground point.

### Channel Processing

Figure 5 represents the I/O characteristic of independent AGC channel processing. The I/O curve can be divided into four main regions:

- Low input level expansion (squelch) region
- Low input level linear region
- Compression region
- High input level linear region (return to linear)

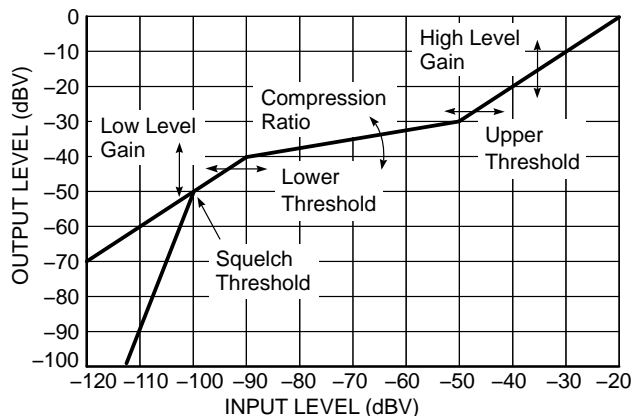


Figure 5. Independent Channel I/O Curve Flexibility

Channel I/O processing is specified by the Squelch threshold (SQUELCHTH) and any four of the following five parameters (only four of the five properties are independent):

- Low level gain (LLGAIN)
- Lower threshold (LTH)



# RHYTHM SB3231

- High level gain (HLGAIN)
- Upper threshold (UTH)
- Compression ratio (CR)

During the Parameter Map creation, constraints are applied to the compression parameters to ensure that the I/O characteristics are continuous. Parameter adjustments support two popular styles of compression ratio adjustment:

- The compression region of the I/O curve pivots about the upper threshold. As the compression ratio trimmer is adjusted, high-level gain remains constant while the low-level gain changes.
- The compression region of the I/O curve pivots about the lower threshold. Low-level gain remains constant as the compression ratio trimmer is adjusted.

The squelch region within each channel implements a low level noise reduction scheme (1:3 expansion) for listener comfort. This scheme operates in quiet listening environments (programmable threshold) to reduce the gain at very low levels.

### Automatic Telecoil

The automatic telecoil feature in Rhythm SB3231 is to be used with memory D programmed with the telecoil or MIC + TCOIL front end configuration. The feature enables the part to transition to memory D upon the closing of a switch connected to MS2. With the feature enabled and a reed switch connected to MS2, the static magnetic field of a telephone handset will close the switch whenever the handset is brought close to the device, causing the hybrid to change to memory D. The part will transition back to the initial memory once the switch is deemed opened after proper debouncing.

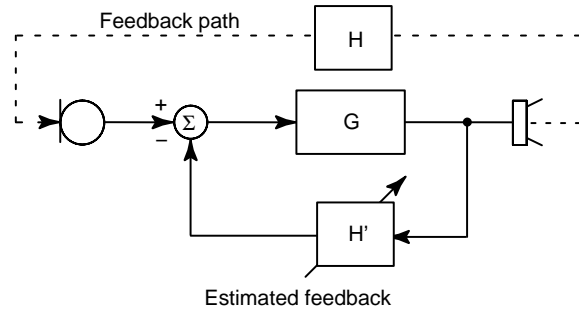
A debounce algorithm with a programmable debounce period is used to prevent needless switching in and out of memory D due to physical switch bounces when MS2 is configured for automatic telecoil. Upon detecting a close to open switch transition, the debounce algorithm monitors the switch status. The debounce algorithm switches the device out of memory D only once the switch signal has been continuously sampled open over the specified debounce period.

### Adaptive Feedback Canceller

The Adaptive Feedback Canceller (AFC) reduces acoustic feedback by forming an estimate of the hearing aid feedback signal and then subtracting this estimate from the hearing aid input. The forward path of the hearing aid is not affected. Unlike adaptive notch filter approaches, Rhythm SB3231's AFC does not reduce the hearing aid's gain. The AFC is based on a time-domain model of the feedback path.

The third-generation AFC (see Figure 6) allows for an increase in the stable gain<sup>1</sup> of the hearing instrument while minimizing artefacts for music and tonal input signals. As with previous products, the feedback canceller provides completely automatic operation.

1. Added stable gain will vary based on hearing aid style and acoustic setup. Please refer to the Adaptive Feedback Cancellation Information note for more details.



**Figure 6. Adaptive Feedback Canceller (AFC) Block Diagram**

### Feedback Path Measurement Tool

The Feedback Path Measurement Tool uses the onboard feedback cancellation algorithm and noise generator to measure the acoustic feedback path of the device. The noise generator is used to create an acoustic output signal from the hearing aid, some of which leaks back to the microphone via the feedback path. The feedback canceller algorithm automatically calculates the feedback path impulse response by analyzing the input and output signals. Following a suitable adaptation period, the feedback canceller coefficients can be read out of the device and used as an estimate of the feedback-path impulse response.

### Adaptive Noise Reduction

The noise reduction algorithm is built upon a high resolution 64-band filter bank (32 bands at 16 kHz sampling) enabling precise removal of noise. The algorithm monitors the signal and noise activities in these bands, and imposes a carefully calculated attenuation gain independently in each of the 64 bands.

The noise reduction gain applied to a given band is determined by a combination of three factors:

- Signal-to-Noise Ratio (SNR)
- Masking threshold
- Dynamics of the SNR per band

The SNR in each band determines the maximum amount of attenuation to be applied to the band – the poorer the SNR, the greater the amount of attenuation. Simultaneously, in each band, the masking threshold variations resulting from the energy in other adjacent bands is taken into account. Finally, the noise reduction gain is also adjusted to take advantage of the natural masking of 'noisy' bands by speech bands over time.

Based on this approach, only enough attenuation is applied to bring the energy in each 'noisy' band to just below the masking threshold. This prevents excessive amounts of attenuation from being applied and thereby reduces unwanted artifacts and audio distortion. The Noise

Reduction algorithm efficiently removes a wide variety of types of noise, while retaining natural speech quality and level. The level of noise reduction (aggressiveness) is configurable to 3, 6, 9 and 12 dB of reduction.

## FrontWave Directional Microphones

The FrontWave feature is implemented in two front-end modes on Rhythm SB3231: static directional and two-microphone omnidirectional. Both these front-end modes are designed to operate using two closely spaced omnidirectional microphones connected to the VIN1 and VIN2 inputs.

In static directional mode, FrontWave synthesizes a directional response pattern by delaying the rear-microphone signal and subtracting it from the front microphone signal. Various microphone response patterns can be obtained by adjusting the rear-microphone time delay.

In two-microphone omnidirectional mode, FrontWave synthesizes a secondary omnidirectional response pattern by delaying the front microphone signal and adding it to the rear microphone signal. The resulting omnidirectional microphone signal possesses a noise floor that is approximately 3 dB lower than that provided by a single microphone (assuming both microphones have similar noise floors).

The FrontWave feature includes three parameters that can be set via external software: time delay, rear-microphone compensation filter and a low-frequency boost filter intended for static directional mode. Time delay can be configured using IDS software. It determines the polar pattern in static directional mode and accounts for microphone spacing in two-microphone omnidirectional mode. The rear-microphone compensation filter provides a means to adjust the rear-microphone sensitivity so that it can better match the front microphone. It is controlled automatically through Cal/Config software. The low-frequency boost filter compensates for the 6 dB/octave roll-off in frequency response that occurs in directional mode. The amount of low frequency equalization is programmable through IDS.

NOTE: For optimum FrontWave operation, ON Semiconductor recommends using matched microphone pairs.

The time delay implemented using FrontWave is not explicitly limited within the system. Optimum accuracy is obtained, however, for smaller time delays. For example, in 32 kHz operation, a time delay of 81.5 microseconds can be achieved with a maximum deviation of 5% over a bandwidth of 0 to 4 kHz. This allows a microphone port spacing of approximately 28 mm. For 16 kHz operation, a similar accuracy is observed for a time delay of 78.1 microseconds, corresponding to a port spacing of approximately 26.8 mm. Smaller time delays can be implemented with improved accuracy.

## Volume Control, Trimmers and Switches

### External Volume Control

The volume of the device can either be set statically via software or controlled externally via a physical interface.

Rhythm SB3231 supports both analog and digital volume control functionality, although only one can be enabled at a time. Digital control is supported with either a momentary switch or a rocker switch. In the latter case, the rocker switch can also be used to control memory selects.

### Analog Volume Control

Both the external (analog) volume control and trimmers work with a three-terminal 100 kΩ – 360 kΩ variable resistor. The volume control can have either a log or linear taper, which is selectable via IDS. It is possible to use a VC with up to 1 MΩ of resistance, but this could result in a slight decrease in the resolution of the taper.

### Trimmers

The trimmer interface provides the ability to control up to 19 hearing aid parameters through up to four trimmers. A single trimmer parameter can have up to 16 values and a single trimmer can control multiple parameters (e.g., Trimmer 1 can control compression ratio in all four channels simultaneously). The trimmer must be three-terminal 100 kΩ to 360 kΩ variable resistors and have a linear taper.

Parameters that can be assigned to trimmers include Noise Reduction, Low Cut, High Cut, Compression Ratio, Wideband Gain, Tinnitus Noise Level, Crossover Frequency, Lower Threshold, Upper Threshold, EQ Gain, Squelch Threshold, High Level Gain, Low Level Gain, AGC-O Threshold, Static Volume Control and Peak Clipper Threshold.

NOTE: There may be limitations to which parameters can be used together.

### Digital Volume Control

The digital volume control makes use of two pins for volume control adjustment, VC and D\_VC, with momentary switches connected to each. Closure of the switch to the VC pin indicates a gain increase while closure to the D\_VC pin indicates a gain decrease. Figure 7 shows how to wire the digital volume control to Rhythm SB3231.

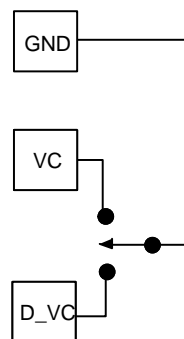


Figure 7. Wiring for Digital Volume Control

# RHYTHM SB3231

## Memory Select Switches

One or two, two-pole Memory Select (MS) switches can be used with Rhythm SB3231. This enables users tremendous flexibility in switching between configurations. Up to four memories can be configured and selected by the MS switches on Rhythm SB3231. Memory A must always be valid. The MS switches are either momentary or static and are fully configurable through IDS in the IDS setting tab.

The behavior of the MS switches is controlled by two main parameters in IDS:

**MSSMode:** this mode determines whether a connected switch is momentary or static.

**Only:** this parameter determines whether the MS2 switch is dedicated to the last memory position

There are four basic MS switch modes of operation as shown in Table 4 below.

**Table 4. MS SWITCH MODES**

| MS Switch Mode | MS1 Switch | MS2 Switch | Max # of Valid Memories | Only | MSSMode   | Use                        |
|----------------|------------|------------|-------------------------|------|-----------|----------------------------|
| Mode 1         | Momentary  | None       | 4                       | Off  | Momentary | Simplest configuration     |
| Mode 2         | Momentary  | Static     | 4                       | On   | Momentary | Jump to last memory        |
| Mode 3         | Static     | Static     | 4                       | Off  | Static    | Binary selection of memory |
| Mode 4         | Static     | Static     | 3                       | On   | Static    | Jump to last memory        |

The flexibility of the MS switches is further increased by allowing the MS switches to be wired to GND or VBAT, corresponding to an active low or active high logic level on

the MS pins. This option is configured with the MSPullUpDown/MS2PullUpDown setting in the IDS settings tab as shown in Table 5 below.

**Table 5. MS SWITCH LOGIC LEVELS VS. IDS PULLUPDOWN SETTINGS**

| “PullUpDown” Setting in IDS | MS Switch State | MS Input Logic Level | Switch Connection |
|-----------------------------|-----------------|----------------------|-------------------|
| Pulldown                    | CLOSED          | HI                   | To VBAT           |
| Pulldown                    | OPEN            | LOW                  | To VBAT           |
| Pullup                      | CLOSED          | LOW                  | To GND            |
| Pullup                      | OPEN            | HI                   | To GND            |

In the following mode descriptions, it is assumed that the PullUpDown setting has been properly configured for the MS switch wiring so that a CLOSED switch state is at the correct input logic level.

### Mode 1: Momentary Switch on MS1

This mode uses a single momentary switch on MS1 input to change memories. Using this mode causes the part to start in memory A, and whenever the button is pressed, the next valid memory is loaded. When the user is in the last valid memory, a button press causes memory A to be loaded. Thus, the possible selection sequences are:

- If 4 valid memories: ABCDABCDA...
- If 3 valid memories: ABCABCA...
- If 2 valid memories: ABABA...
- If 1 valid memory: AAA...

### Mode 2: Momentary Switch on MS1, Static Switch on MS2 (D-only, Jump to Last Memory)

This mode uses a static switch on MS2 and a momentary switch on MS1 to change memories. It can be used to support the Automatic Telecoil feature, see section Automatic Telecoil.

If the static switch on MS2 is OPEN, the part starts in memory A and is controlled by the momentary switch on MS1 as described in section Momentary Switch on MS1, with the exception that memory D is not used. If the static switch on MS2 is set to CLOSED, the part automatically jumps to memory D (occurs on startup or during normal operation). In this setup, the state of the momentary switch on MS1 is ignored. When MS2 is set to OPEN, the part loads in the memory that was active prior to jumping to memory D.

The possible memory selection sequences are:

If MS2 = OPEN and there are four valid memories, MS1 selects: ABCABCA...

If MS2 = OPEN and there are three valid memories, MS1 selects: ABABA...

If MS2 = OPEN and there is one valid memory: A

If MS2 = CLOSED: D

### Mode 3: Static Switch on MS1 and MS2

This mode uses two static switches to change memories. In this mode, it is possible to jump from any memory to any other memory by changing the state of both switches. If the two switches are changed one after the other, the part

transitions to an intermediate memory before reaching the final memory. The part starts in whatever memory the switches are selecting. If a memory is invalid, the part defaults to memory A.

**Table 6. STATIC SWITCH TRUTH TABLE:  
D-ONLY DISABLED**

| State (MS1/MS2) | Selected Memory |
|-----------------|-----------------|
| OPEN OPEN       | Memory A        |
| CLOSED OPEN     | Memory B        |
| OPEN CLOSED     | Memory C        |
| CLOSED CLOSED   | Memory D        |

**Mode 4: Static Switch on MS1, Static Switch on MS2 (D-Only, Jump to Last Memory)**

This mode uses two static switches to change memories. Similar to the behaviour described in the Static Switch on MS1 and MS2 section, this mode will switch to memory D if the static switch on MS2 is HIGH (the state of the switch on MS1 is ignored). The mode, however, supports a maximum of three memories (even if four valid memories are programmed). This mode can be used to support the Automatic Telecoil feature (see the Automatic Telecoil section).

In this mode, it is possible to jump from any memory to any other memory by changing the state of both switches. If the two switches are changed one after the other, the part transitions to an intermediate memory before reaching the final memory.

The part starts in whatever memory the switches are selecting. If a memory is invalid, the part defaults to memory A.

**Table 7. STATIC SWITCH TRUTH TABLE:  
D-ONLY ENABLED; (EXAMPLE WITH THREE VALID MEMORIES)**

| State (MS1/MS2) | Selected Memory |
|-----------------|-----------------|
| OPEN OPEN       | Memory A        |
| CLOSED OPEN     | Memory B        |
| X CLOSED        | Memory D        |

**Rocker Switch Support**

The device supports connection of a rocker switch to the digital volume control interface that can perform volume control (VC) adjustments and/or memory selection (MS).

There are three modes of operation:

- Digital Volume Control Mode
- Momentary Memory Select Mode
- Mixed Mode (VC and MS)

In Digital VC mode, the rocker switch provides the digital volume control functionality described in this section.

In Momentary Memory Select mode, the rocker switch allows cycling through the memory profiles in both directions. An “up” switch closure indicates a program

advance to the next *higher* numbered memory and “down” switch closures indicates a program retreat to the next *lower* numbered memory. In this mode, volume control is only available through software control.

In Mixed Mode, operation of the switch as a volume control or memory select is governed by the time duration of the switch closure: either short or long. The discrimination of short and long pulses is set by a programmable, time-threshold value, from 1 s to 5 s in 1 s increments. An additional programmable parameter determines whether the short pulses refer to volume-control operation or memory-select operation.

If long pulses control memory select operation, the memory change is initiated once the switch is held for the long pulse period without requiring the switch to be released. In Digital VC mode or Momentary Memory Select mode, the action takes place after the switch is released.

**AGC-O**

The AGC-O module is an output limiting circuit with a fixed compression ratio of ∞ : 1. The limiting level is programmable as a level measured in dB from full scale. The maximum output of the device is 0 dBFS.

The AGC-O module has its own level detector, with programmable attack and release time constants.

**Graphic Equalizer**

Rhythm SB3231 has a 8-band graphic equalizer. Each band provides up to 31 dB of gain adjustment in 1 dB increments.

**Biquadratic Filters**

Additional frequency shaping can be achieved by configuring generic biquad filters. The transfer function for each of the biquad filters is as follows:

$$H(z) = \frac{b0 + b1 \times z^{-1} + b2 \times z^{-2}}{1 + a1 \times z^{-1} + a2 \times z^{-2}}$$

NOTE: The *a0* coefficient is hard-wired to always be ‘1’. The coefficients are each 16 bits in length and formatted as one sign bit, one integer bit and 14 fractional bits. This maps onto a decimal range of -2.0 to 2.0 before quantization (-32767 to 32767 after quantization).

Thus, before quantization, the floating-point coefficients must be in the range  $-2.0 \leq x < 2.0$  and quantized with the function:

$$round(x \times 2^{14})$$

After designing a filter, the quantized coefficients can be entered into the PreBiquads or PostBiquads tab in the Interactive Data Sheet. The coefficients *b0*, *b1*, *b2*, *a1*, and *a2* are as defined in the transfer function above. The parameters *meta0* and *meta1* do not have any effect on the signal processing, but can be used to store additional information related to the associated biquad.



The underlying code in the product components automatically checks all of the filters in the system for stability (i.e., the poles have to be within the unit circle) before updating the graphs on the screen or programming the coefficients into the hybrid. If the Interactive Data Sheet receives an exception from the underlying stability checking code, it automatically disables the biquad being modified and displays a warning message. When the filter is made stable again, it can be re-enabled.

Also note that in some configurations, some of these filters may be used by the product component for microphone/telecoil compensation, low-frequency EQ, etc. If this is the case, the coefficients entered by the user into IDS are ignored and the filter designed by the software is programmed instead. For more information on filter design refer to the Biquad Filters In PARAGON® Digital Hybrid information note.

### Tinnitus Treatment Noise

The Tinnitus Treatment noise is generated using white noise generator hardware and shaping the generated noise using four 2<sup>nd</sup> order biquadratic filters. The filter parameters are the same coefficients as those presented in the Biquadratic Filters section.

The Tinnitus Treatment noise can be added into the signal path at two possible locations: before the VC (before the AGC-O, but compensated for the Wideband Gain) or after the VC (between the last generic biquad and the Cross Fader).

If the noise is injected before the VC and the audio path is also enabled, the device can be set up to either have both the audio path and noise adjust via the VC, or to have only the noise adjust via the VC (see Table 8). If the noise is injected after the VC, it is not affected by VC changes.

**Table 8. NOISE INSERTION MODES**

| Noise Insertion Modes | VC Controls   | Noise Injected |
|-----------------------|---------------|----------------|
| Off                   | Audio         | Off            |
| Pre VC                | Audio + Noise | Pre VC         |
| Post VC               | Audio         | Post VC        |
| Noise only Pre VC     | Noise         | Pre VC         |
| Noise only Post VC    | –             | Post VC        |
| Pre VC with Noise     | Noise         | Pre VC         |

### 8.14 EVOKE Lite Acoustic Indicators

Ten Acoustic Indicators are available for indicating events. Each indicator is fixed to a particular event. Any event can have its assigned indicator enabled or disabled although not always independently. Individual enable/disable control is provided for the following event or group of events:

- Power on reset (POR)
- Four memory selects

- Volume Up and Volume Down
- Volume Max and Volume Min
- Low Battery

Each Acoustic Indicator is made up of up to four faded tones. A faded tone exhibits a nominal 32 ms fade-in and fade-out transition time. The duration of an Acoustic Indicator is configurable, with a maximum value of 6.35 seconds.

EVOKE Lite Acoustic Indicators can be programmed as output referred or input referred (prior to the filter bank).

### Power Management

Rhythm SB3231 has three user-selectable power management schemes to ensure the hearing aid turns off gracefully at the end of battery life. Shallow reset, Deep reset and Advanced Reset mode. It also contains a programmable power on reset delay function.

### Power On Reset Delay

The programmable POR delay controls the amount of time between power being connected to the hybrid and the audio output being enabled. This gives the user time to properly insert the hearing aid before the audio starts, avoiding the temporary feedback that can occur while the device is being inserted. During the delay period, momentary button presses are ignored.

### Power Management Functionality

As the voltage on the hearing aid battery decreases, an audible warning is given to the user indicating the battery life is low. In addition to this audible warning, the hearing aid takes other steps to ensure proper operation given the weak supply. The exact hearing aid behaviour in low supply conditions depends on the selected POR mode. The hearing aid has three POR modes:

- Shallow Reset Mode
- Deep Reset Mode
- Advanced Mode

### Shallow Reset Mode

In Shallow Reset mode, the hearing aid will operate normally when the battery is above 0.95 V. Once the supply voltage drops below 0.95 V the audio will be muted and remain in that state until the supply voltage rises above 1.1 V. Once the supply voltage drops below the control logic ramp down voltage, the device will undergo a hardware reset. At this point, the device will remain off until the supply voltage returns to 1.1 V. When the supply voltage is below the control logic voltage, but above 0.6 V and rises above the 1.1 V turn on threshold, the device will activate its output and operate from the memory that was active prior to reset. If the supply voltage drops below 0.6 V, and rises above the 1.1 V turn on threshold, the device will reinitialize, activate its output and operate from memory A.

## Deep Reset Mode

In Deep Reset mode, the hearing aid will operate normally when the battery is above 0.95 V. Once the supply voltage drops below 0.95 V the audio will be muted. The device remains in this state until the supply voltage drops below the hardware reset voltage of 0.6 V. When this occurs, the device will load memory A and operate normally after the supply voltage goes above 1.1 V.

## Advanced Reset Mode

Advanced Reset Mode on Rhythm SB3231 is a more sophisticated power management scheme than shallow and deep reset modes. This mode attempts to maximize the device's usable battery life by reducing the gain to stabilize the supply based on the instantaneous and average supply voltage levels. Instantaneous supply fluctuations below 0.95 V can trigger up to two 3 dB, instantaneous gain reductions. Average supply drops below 0.95 V can trigger up to eighteen, 1 dB average gain reductions.

While the average supply voltage is above 0.95 V, an instantaneous supply voltage fluctuation below 0.95 V will trigger an immediate 3 dB gain reduction. After the 3 dB gain reduction has been applied, the advanced reset model holds off checking the instantaneous voltage level for a monitoring period of 30 second in order to allow the voltage level to stabilize. If after the stabilization time the instantaneous voltage drops a second time below 0.95 V during the next monitoring period, the gain will be reduced an additional 3 dB for a 6 dB total reduction and a 30 second stabilization time is activated. The advanced reset mode continues to monitor the instantaneous voltage levels over 30 second monitoring periods. If the instantaneous voltage remains above 1.1 V during that monitoring period, the gain will be restored to the original setting regardless of whether one or two gain reductions are applied. If two gain reductions are applied and the instantaneous voltage level remains above 1.0 V for a monitoring period, the gain will be restored to a 3 dB reduction.

Should the average supply voltage drop below 0.95 V, the device will then reduce the gain by 1 dB every 10 seconds until either the average supply voltage rises above 0.95 V or a total of 18 average gain reductions have been applied, at which point the audio path will be muted. If the average supply voltage returns to a level above 1.1 V, the audio path will first be un-muted, if required. The gain will then be increased by 1 dB every 10 seconds until either the average supply voltage drops below 1.1 V, or all average gain reductions have been removed. No action is taken while the average supply voltage resides between 0.95 V and 1.1 V.

**NOTE:** Instantaneous and average gain reductions are adjusted independently.

When the instantaneous voltage falls below the hardware shutdown voltage of 0.6 V, the device will undergo

a hardware reset. When it turns back on because the voltage has risen above the turn-on threshold, it will behave the same as it would in shallow reset mode.

## Low Battery Notification

Notification of the low battery condition via an acoustic indicator is optionally performed when the battery voltage drops below a configurable low battery notification threshold. The low battery indicator is repeated every five minutes until the device shuts down.

## SDA and I<sup>2</sup>C Communication

Rhythm SB3231 can be programmed using the SDA or I<sup>2</sup>C protocol. During parameter changes, the main audio signal path of the hybrid is temporarily muted using the memory switch fader to avoid the generation of disturbing audio transients. Once the changes are complete, the main audio path is reactivated. Any changes made during programming are lost at power-off unless they are explicitly burned to EEPROM memory.

Improvements have been made to the ARK software, resulting in improved communication speed. Certain parameters in ARKonline<sup>®</sup> can be selected to reduce the number of pages that need to be read out. In SDA mode, Rhythm SB3231 is programmed via the SDA pin using industry standard programming boxes. I<sup>2</sup>C mode is a two-wire interface which uses the SDA pin for bidirectional data and CLK as the interface clock input. I<sup>2</sup>C programming support is available on the HiPro (serial or USB versions) and ON Semiconductor's DSP Programmer 3.0.

## Input Connection and Layout Considerations

It is recommended to connect unused audio input pins directly to MGND to minimize the possibility of noise pickup. Inputs are internally AC coupled, so there is no additional leakage current when inputs are connected directly to ground.

In order to further minimize noise at the inputs the following guidelines are recommended:

- MGND is used as reference ground plane for input signals. All input components should be grounded to MGND. This ground plane should be isolated from all other ground connections in the system.
- Keep the input traces as short as possible and avoid routing traces near high noise sources such as the OUT+ and OUT- pins
- Star ground input component grounds to the MGND connection.

Unused trimmer inputs should also be connected to GND.

# RHYTHM SB3231

## ORDERING INFORMATION

| Device      | Package                     | Shipping†               |
|-------------|-----------------------------|-------------------------|
| SB3231-E1   | 25 Pad Hybrid<br>Case 127DN | 25 Units / Bubble Pack  |
| SB3231-E1-T | 25 Pad Hybrid<br>Case 127DN | 250 Units / Tape & Reel |

†For information on tape and reel specifications, including part orientation and tape sizes, please refer to our Tape and Reel Packaging Specifications Brochure, BRD8011/D.

### Hybrid Jig Ordering Information

To order a Hybrid Jig Evaluation Board for Rhythm SB3231 contact your Sales Account Manager or FAE and use part number SA3405GEVB.

# RHYTHM SB3231

## PAD LOCATIONS

Table 9. PAD POSITION AND DIMENSIONS

| Pad No. | Pad Position |      | Pad Dimensions |            |
|---------|--------------|------|----------------|------------|
|         | X            | Y    | Xdim (mil)     | Ydim (mil) |
| 1       | 0            | 0    | 20             | 33         |
| 2       | -27          | 0    | 20             | 33         |
| 3       | -54          | -5   | 20             | 23         |
| 4       | -81          | -5   | 20             | 23         |
| 5       | -108         | -5   | 20             | 23         |
| 6       | -135         | -5   | 20             | 23         |
| 7       | -162         | -5   | 20             | 23         |
| 8       | -189         | 0    | 20             | 33         |
| 9       | -189         | 42   | 20             | 23         |
| 10      | -189         | 85   | 20             | 23         |
| 11      | -162         | 85   | 20             | 23         |
| 12      | -135         | 85   | 20             | 23         |
| 13      | -108         | 85   | 20             | 23         |
| 14      | -81          | 85   | 20             | 23         |
| 15      | -54          | 85   | 20             | 23         |
| 16      | -27          | 85   | 20             | 23         |
| 17      | 0            | 85   | 20             | 23         |
| 18      | 0            | 42   | 20             | 23         |
| 19      | -27          | 42   | 20             | 23         |
| 20      | -54          | 42   | 20             | 23         |
| 21      | -81          | 42   | 20             | 23         |
| 22      | -108         | 42   | 20             | 23         |
| 23      | -135         | 42   | 20             | 23         |
| 24      | -162         | 26.5 | 18             | 12         |
| 25      | -162         | 53.5 | 18             | 12         |



# RHYTHM SB3231

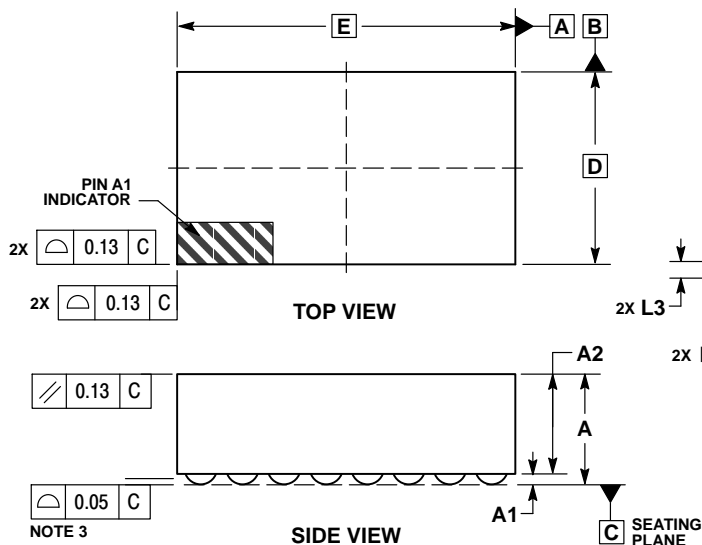
**Table 9. PAD POSITION AND DIMENSIONS**

| Pad No. | X      | Y      | Xdim (mm) | Ydim (mm) |
|---------|--------|--------|-----------|-----------|
| 1       | 0      | 0      | 0.508     | 0.838     |
| 2       | -0.686 | 0      | 0.508     | 0.838     |
| 3       | -1.372 | -0.127 | 0.508     | 0.584     |
| 4       | -2.057 | -0.127 | 0.508     | 0.584     |
| 5       | -2.743 | -0.127 | 0.508     | 0.584     |
| 6       | -3.429 | -0.127 | 0.508     | 0.584     |
| 7       | -4.115 | -0.127 | 0.508     | 0.584     |
| 8       | -4.801 | 0      | 0.508     | 0.838     |
| 9       | -4.801 | 1.067  | 0.508     | 0.584     |
| 10      | -4.801 | 2.159  | 0.508     | 0.584     |
| 11      | -4.115 | 2.159  | 0.508     | 0.584     |
| 12      | -3.429 | 2.159  | 0.508     | 0.584     |
| 13      | -2.743 | 2.159  | 0.508     | 0.584     |
| 14      | -2.057 | 2.159  | 0.508     | 0.584     |
| 15      | -1.372 | 2.159  | 0.508     | 0.584     |
| 16      | -0.686 | 2.159  | 0.508     | 0.584     |
| 17      | 0      | 2.159  | 0.508     | 0.584     |
| 18      | 0      | 1.067  | 0.508     | 0.584     |
| 19      | -0.686 | 1.067  | 0.508     | 0.584     |
| 20      | -1.372 | 1.067  | 0.508     | 0.584     |
| 21      | -2.057 | 1.067  | 0.508     | 0.584     |
| 22      | -2.743 | 1.067  | 0.508     | 0.584     |
| 23      | -3.429 | 1.067  | 0.508     | 0.584     |
| 24      | -4.115 | 0.673  | 0.457     | 0.305     |
| 25      | -4.115 | 1.359  | 0.457     | 0.305     |

# RHYTHM SB3231

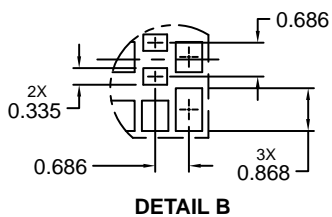
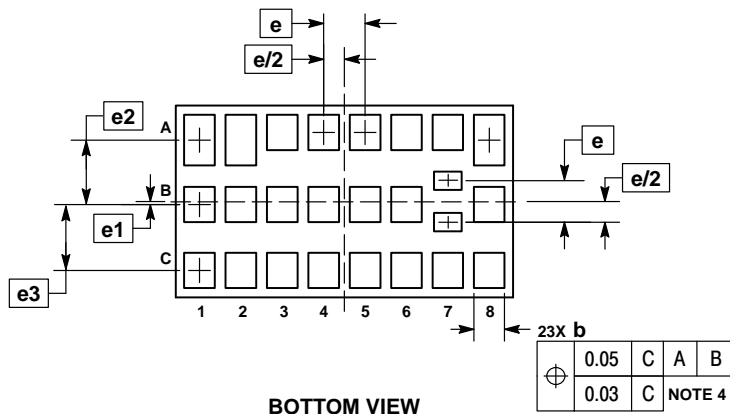
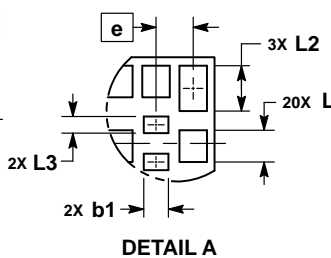
## PACKAGE DIMENSIONS

SIP25, 5.59x3.18  
CASE 127DN  
ISSUE O

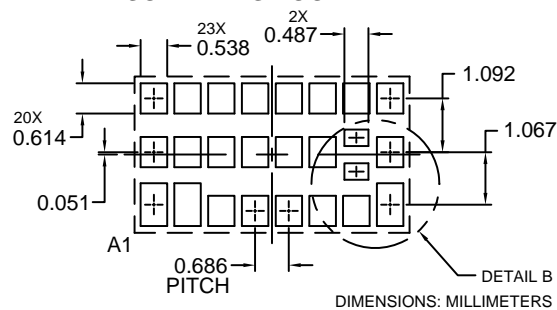


- NOTES:
1. DIMENSIONING AND TOLERANCING PER ASME Y14.5M, 1994.
  2. CONTROLLING DIMENSION: MILLIMETERS.
  3. COPLANARITY APPLIES TO THE SPHERICAL CROWNS OF THE PADS.

| DIM | MILLIMETERS |       |
|-----|-------------|-------|
|     | MIN         | MAX   |
| A   | ---         | 1.83  |
| A1  | 0.08        | 0.18  |
| A2  | ---         | 1.65  |
| b   | 0.478       | 0.538 |
| b1  | 0.427       | 0.487 |
| D   | 3.18 BSC    |       |
| E   | 5.59 BSC    |       |
| e   | 0.686 BSC   |       |
| e1  | 0.051 BSC   |       |
| e2  | 1.067 BSC   |       |
| e3  | 1.092 BSC   |       |
| L   | 0.554       | 0.614 |
| L2  | 0.808       | 0.868 |
| L3  | 0.275       | 0.335 |




### RECOMMENDED SOLDERING FOOTPRINT\*



\*For additional information on our Pb-Free strategy and soldering details, please download the ON Semiconductor Soldering and Mounting Techniques Reference Manual, SOLDERRM/D.

# RHYTHM SB3231

RHYTHM, HRX, WOLVERINE and EVOKE LITE are trademarks of Semiconductor Components Industries, LLC.  
FRONTWAVE, PARAGON and ARKonline are registered trademarks of Semiconductor Components Industries, LLC.

ON Semiconductor and the  are registered trademarks of Semiconductor Components Industries, LLC (SCILLC) or its subsidiaries in the United States and/or other countries. SCILLC owns the rights to a number of patents, trademarks, copyrights, trade secrets, and other intellectual property. A listing of SCILLC's product/patent coverage may be accessed at [www.onsemi.com/site/pdf/Patent-Marking.pdf](http://www.onsemi.com/site/pdf/Patent-Marking.pdf). SCILLC reserves the right to make changes without further notice to any products herein. SCILLC makes no warranty, representation or guarantee regarding the suitability of its products for any particular purpose, nor does SCILLC assume any liability arising out of the application or use of any product or circuit, and specifically disclaims any and all liability, including without limitation special, consequential or incidental damages. "Typical" parameters which may be provided in SCILLC data sheets and/or specifications can and do vary in different applications and actual performance may vary over time. All operating parameters, including "Typicals" must be validated for each customer application by customer's technical experts. SCILLC does not convey any license under its patent rights nor the rights of others. SCILLC products are not designed, intended, or authorized for use as components in systems intended for surgical implant into the body, or other applications intended to support or sustain life, or for any other application in which the failure of the SCILLC product could create a situation where personal injury or death may occur. Should Buyer purchase or use SCILLC products for any such unintended or unauthorized application, Buyer shall indemnify and hold SCILLC and its officers, employees, subsidiaries, affiliates, and distributors harmless against all claims, costs, damages, and expenses, and reasonable attorney fees arising out of, directly or indirectly, any claim of personal injury or death associated with such unintended or unauthorized use, even if such claim alleges that SCILLC was negligent regarding the design or manufacture of the part. SCILLC is an Equal Opportunity/Affirmative Action Employer. This literature is subject to all applicable copyright laws and is not for resale in any manner.

## PUBLICATION ORDERING INFORMATION

### LITERATURE FULFILLMENT:

Literature Distribution Center for ON Semiconductor  
P.O. Box 5163, Denver, Colorado 80217 USA  
**Phone:** 303-675-2175 or 800-344-3860 Toll Free USA/Canada  
**Fax:** 303-675-2176 or 800-344-3867 Toll Free USA/Canada  
**Email:** [orderlit@onsemi.com](mailto:orderlit@onsemi.com)

**N. American Technical Support:** 800-282-9855 Toll Free  
USA/Canada  
**Europe, Middle East and Africa Technical Support:**  
Phone: 421 33 790 2910  
**Japan Customer Focus Center**  
Phone: 81-3-5817-1050

**ON Semiconductor Website:** [www.onsemi.com](http://www.onsemi.com)  
**Order Literature:** <http://www.onsemi.com/orderlit>  
For additional information, please contact your local  
Sales Representative