

## 阅读申明

- 1.本站收集的数据手册和产品资料都来自互联网，版权归原作者所有。如读者和版权方有任何异议请及时告之，我们将妥善解决。
- 2.本站提供的中文数据手册是英文数据手册的中文翻译，其目的是协助用户阅读，该译文无法自动跟随原稿更新，同时也可能存在翻译上的不当。建议读者以英文原稿为参考以便获得更精准的信息。
- 3.本站提供的产品资料，来自厂商的技术支持或者使用者的心得体会等，其内容可能存在描述上的差异，建议读者做出适当判断。
- 4.如需与我们联系，请发邮件到marketing@iczoom.com，主题请标有“数据手册”字样。

## Read Statement

1. The datasheets and other product information on the site are all from network reference or other public materials, and the copyright belongs to the original author and original published source. If readers and copyright owners have any objections, please contact us and we will deal with it in a timely manner.
2. The Chinese datasheets provided on the website is a Chinese translation of the English datasheets. Its purpose is for reader's learning exchange only and do not involve commercial purposes. The translation cannot be automatically updated with the original manuscript, and there may also be improper translations. Readers are advised to use the English manuscript as a reference for more accurate information.
3. All product information provided on the website refer to solutions from manufacturers' technical support or users the contents may have differences in description, and readers are advised to take the original article as the standard.
4. If you have any questions, please contact us at marketing@iczoom.com and mark the subject with "Datasheets" .



# STABP01

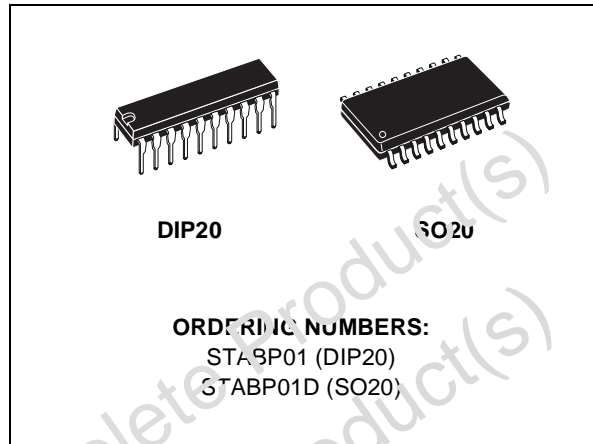
## BASH® DIGITAL FIDELITY DIGITAL PROCESSOR

### ■ BASH® LICENCE REQUIRED

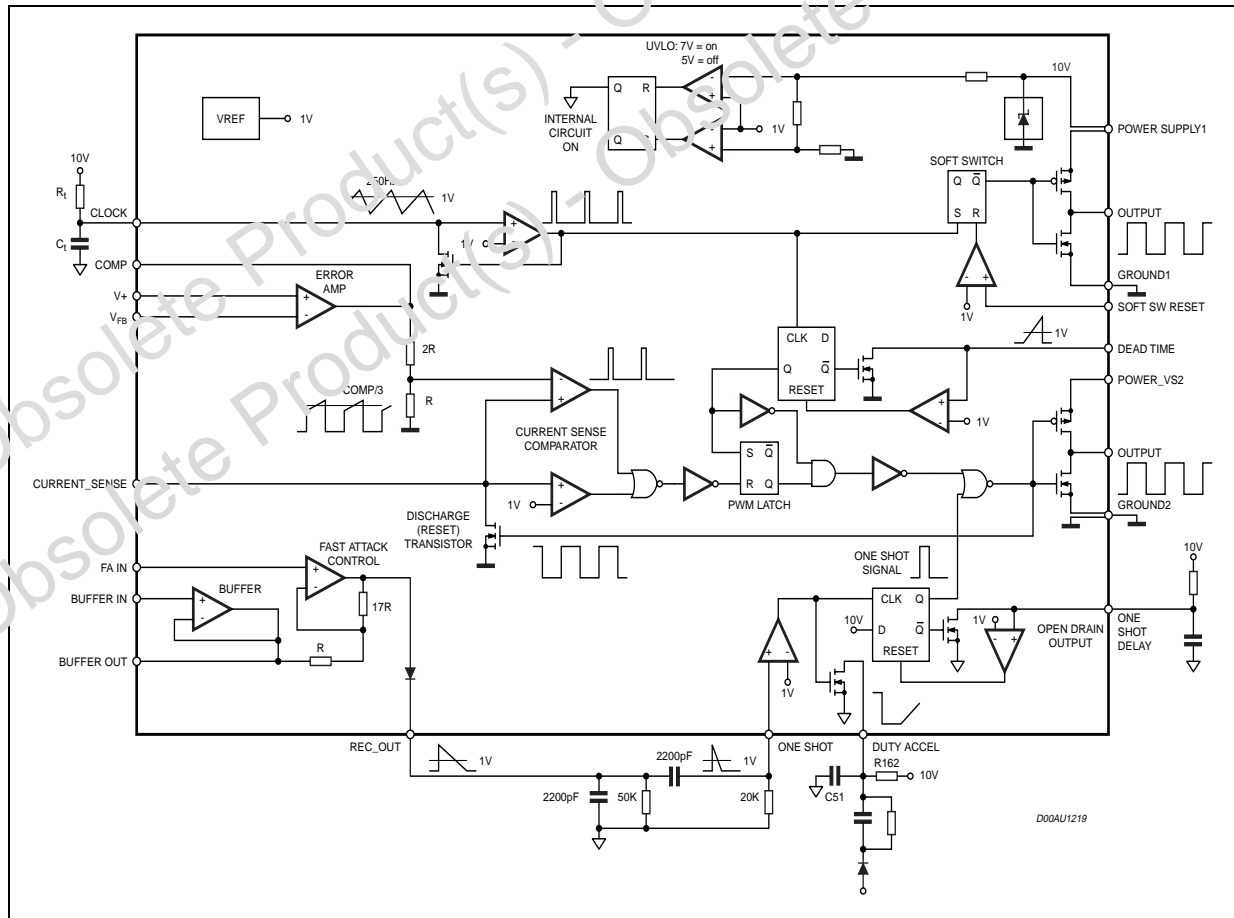
#### DESCRIPTION

The STABP01 processor is used to control the BASH® Digital Converter. When used in conjunction with BASH® amplifiers a fully integrated high efficiency power amplifier is realized.

By analyzing the audio input, the Processor determines the appropriate on/off events and generates a digital pulse for the Digital Converter. The converter turns this pulse into a power signal that feeds the power amplifier. The feedback system allows the processor to constantly adapt to the audio signal and regenerate the digital pulse thereby maintaining a constant voltage across the output devices.



#### BLOCK DIAGRAM



# STABP01

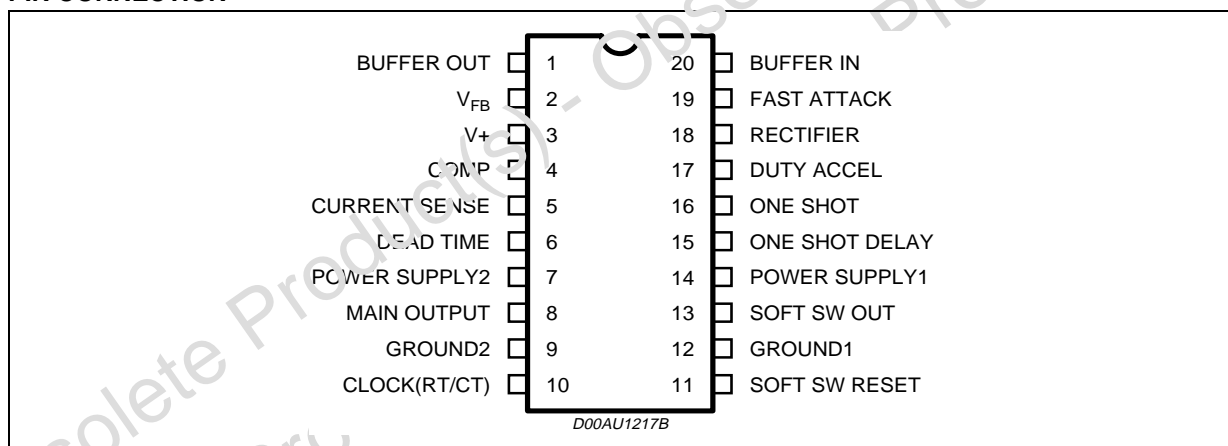
## ABSOLUTE MAXIMUM RATINGS

Symbol	Parameter	Value	Unit
Vs	Supply Voltage	10.5	V
Io	Output Current	±0.6	A
Eo	Output Energy(capacitive load)	5	μJ
Vi	Analog Input Voltage	-0.3 to 8	V
Io	Error Amplifier Output Sink Current	10	mA
P <sub>tot</sub>	Power Dissipation at Tamb	500	mW
T <sub>stg</sub>	Storage Ambient Temperature	-65 to 150	°C
T <sub>L</sub>	Lead Temperature (soldering 10s)	300	°C
T <sub>op</sub>	Operating Temperature Range	-25 to 85	°C

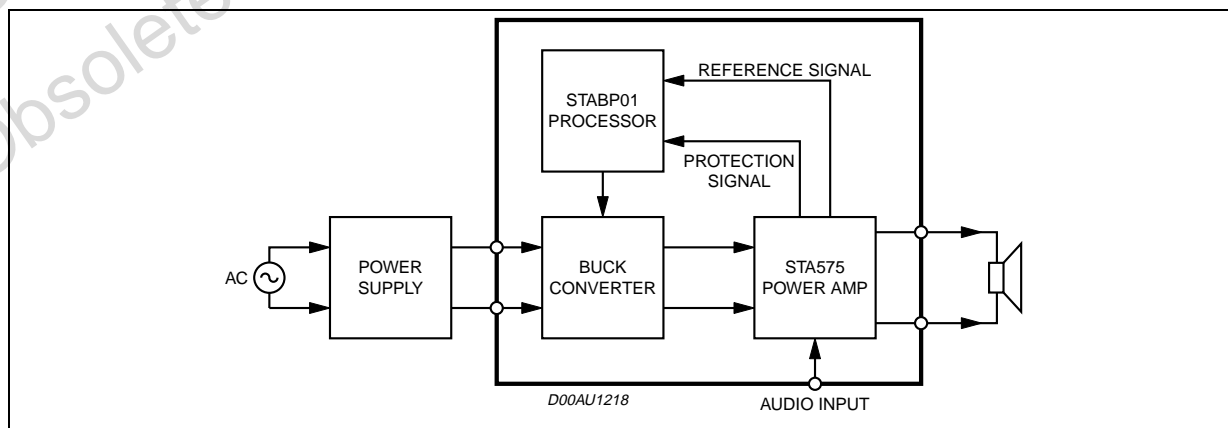
## THERMAL DATA

Symbol	Parameter	SO20	DIP20	Unit
R <sub>th j-amb</sub>	Thermal Resistance junction-ambient soldered on PCB	95	90	°C/W

## PIN CONNECTION



## TYPICAL APPLICATION CIRCUIT



**ELECTRICAL CHARACTERISTICS** ( $V_s = 10V$ ;  $R_t = 22k\Omega$ ;  $C_t = 2.2nF$ ;  $t = 25^\circ C$  unless otherwise specified)

Symbol	Parameter	Test Conditions	Min	Typ	Max	Unit
<b>OSCILLATOR SECTION</b>						
fs	Initial Accuracy (*)	Tj=25C, SW Out Off	225	250	300	kHz
Ts	Temperature Stability	Tmin<Tamb<Tmax		5		%
	Amplitude	Vpin10 Peak to Peak		0.5		V
<b>ERROR AMP SECTION</b>						
Ib	Input Bias Current				1	$\mu A$
AVOL	Open loop Gain		65	90		dB
B	Unity Gain Bandwidth		0.7	1		MHz
SVR	Supply Voltage Rejection	6<Vs<10V	60	70		dB
ICMR	Input Common Mode Range				8	V
CMRR	Common Mode Rejection Ratio			90		dB
OR	Output Voltage Range	I = 1mA	0.5		8.5	V
<b>CURRENT SENSE SECTION</b>						
Gv	Gain	V4/V5, V5 < 1V, Duty Cycle = 80%	2.7	3	3.3	V/V
V5	Maximum Input Signal	V4 = 5V	0.9	1	1.1	V
Ib	Input Bias Current	V5 < 0.9V,			1	$\mu A$
Odt	Delay to Output (minimum output pulse)			150	300	ns
<b>OUTPUT SECTION</b>						
VOL	Output Low Level	Isink=20mA Isink=200mA		0.1 1.5	0.4 2.2	V V
VOH	Output High Level	Isouce=20mA Isouce=200mA	9.6 7.8	9.9 8.5		V V
tr	Rise Time	Tj=25°C CL=1nF		50	150	ns
tf	Fall Time	Tj=25°C CL=1nF		50	150	ns
<b>UNDER-VOLTAGE LOCKOUT SECTION</b>						
UVstart	Start Threshold		6.3	7	7.7	V
UVstop	Min Operating Voltage After Turn-on		4.5	5	5.5	V
<b>TOTAL STANDBY CURRENT</b>						
Ist	Start-up Current			0.5	1	mA
Is	Operating Supply Current			10	20	mA

## STABP01

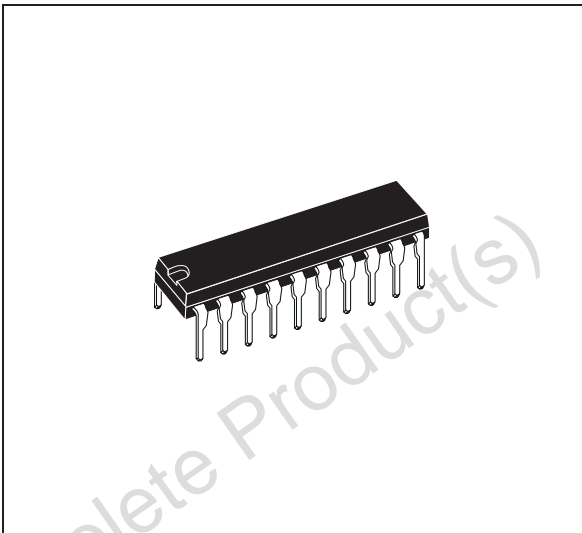
### ELECTRICAL CHARACTERISTICS (continued)

Symbol	Parameter	Test Conditions	Min	Typ	Max	Unit
<b>BUFFER SECTION</b>						
I <sub>b</sub>	Input Bias Current				1	μA
B	Unity Gain Bandwidth		0.7	1		MHz
SVR	Supply Voltage Rejection	6<V <sub>s</sub> <10V	60	70		dB
I <sub>CMR</sub>	Input Common Mode Range		0		9	V
O <sub>R</sub>	Output Range	I = 1mA	0.5		8.5	V
<b>SOFT SWITCH SECTION</b>						
V <sub>OL</sub>	Output Low Level	I <sub>sink</sub> =20mA I <sub>sink</sub> =200mA		0.1	0.4	V
				1.5	2.2	V
V <sub>OH</sub>	Output High Level	I <sub>source</sub> =20mA I <sub>source</sub> =200mA	9.6	9.9		V
			7.3	8.5		V
t <sub>r</sub>	Rise Time	T <sub>j</sub> =25°C CL=1nF		50	150	ns
t <sub>f</sub>	Fall Time	T <sub>j</sub> =25°C CL=1nF		50	150	ns
V <sub>reset</sub>	Reset Level			1		V
<b>FAST ATTACK CONTROL SECTION</b>						
G <sub>diff</sub>	Differential Gain		16	18	20	V/V
OS <sub>th</sub>	Level for one shot		0.9	1	1.1	V
OSD <sub>th</sub>	Level for one shot delay		0.9	1	1.1	V
I <sub>15leak</sub>	Leakage pin 15	V <sub>15</sub> = 0.8V			0.2	μA
I <sub>17leak</sub>	Leakage pin 17	V <sub>17</sub> = 10V, V <sub>16</sub> = 0V			0.2	μA

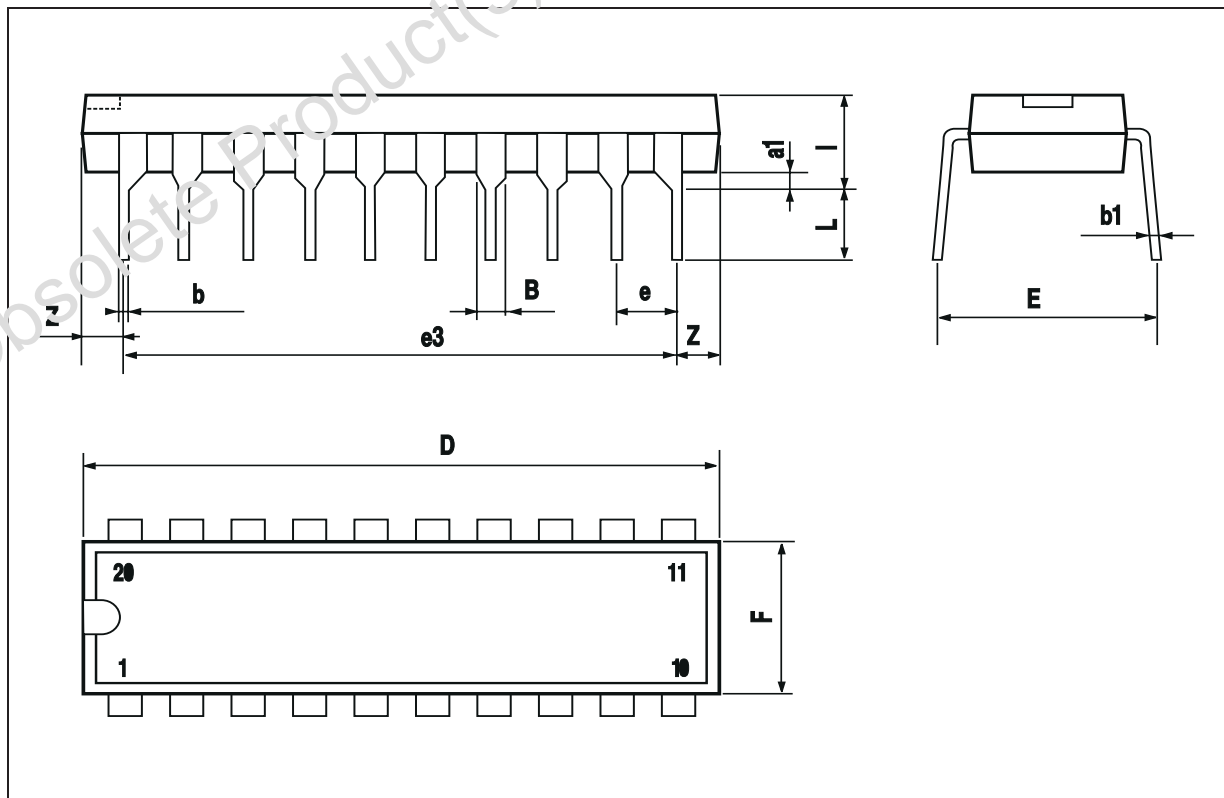
(\*) R<sub>t</sub>, C<sub>t</sub> = 1% precision component

DIM.	mm			inch		
	MIN.	TYP.	MAX.	MIN.	TYP.	MAX.
a1	0.254			0.010		
B	1.39		1.65	0.055		0.065
b		0.45			0.018	
b1		0.25			0.010	
D			25.4			1.000
E		8.5			0.335	
e		2.54			0.100	
e3		22.86			0.900	
F			7.1			0.280
I			3.93			0.155
L		3.3			0.130	
Z			1.34			0.053

**OUTLINE AND MECHANICAL DATA**



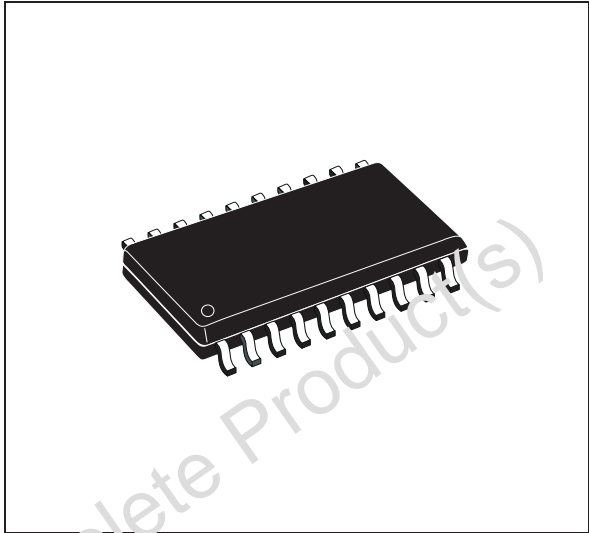
**DIP20**



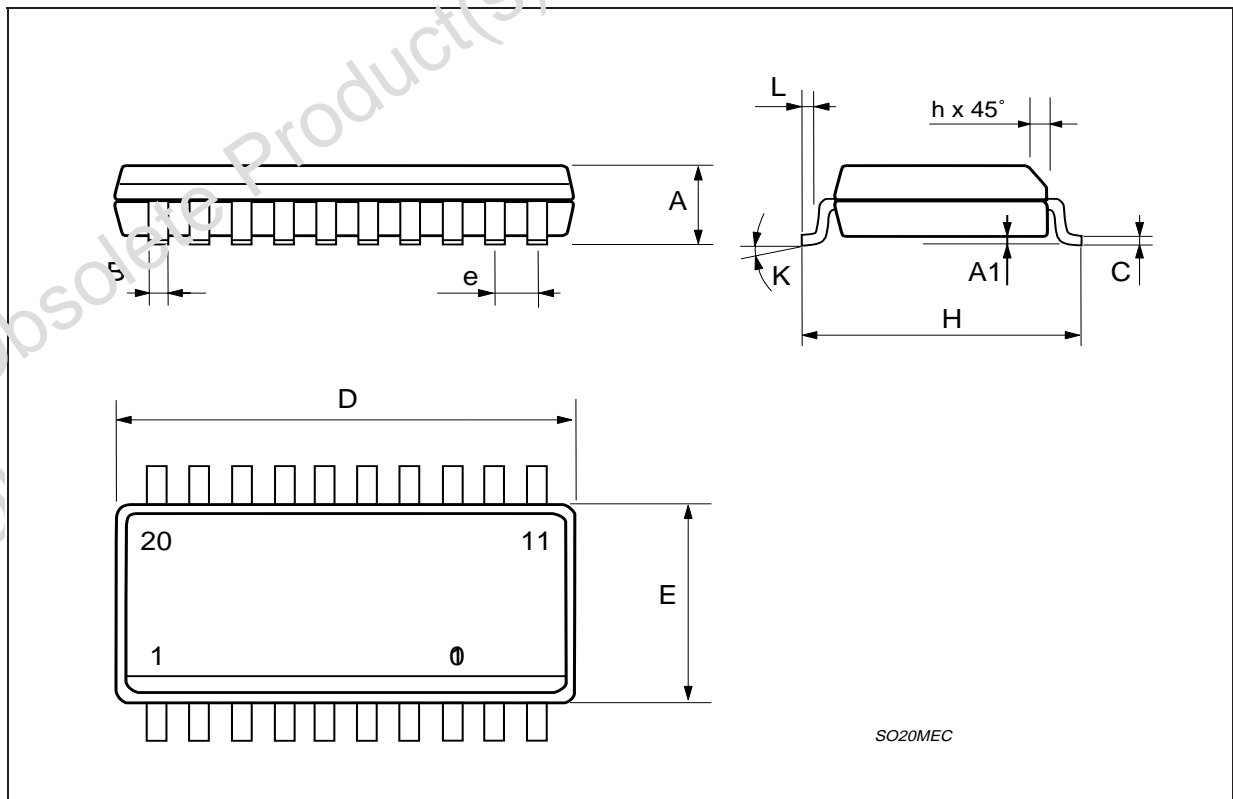
**STABP01**

DIM.	mm			inch		
	MIN.	TYP.	MAX.	MIN.	TYP.	MAX.
A	2.35		2.65	0.093		0.104
A1	0.1		0.3	0.004		0.012
B	0.33		0.51	0.013		0.020
C	0.23		0.32	0.009		0.013
D	12.6		13	0.496		0.512
E	7.4		7.6	0.291		0.299
e		1.27			0.050	
H	10		10.65	0.394		0.419
h	0.25		0.75	0.010		0.030
L	0.4		1.27	0.016		0.050
K	0° (min.)8° (max.)					

**OUTLINE AND MECHANICAL DATA**



**SO20**



SO20MEC

Obsolete Product(s) - Obsolete Product(s)  
Obsolete Product(s) - Obsolete Product(s)

Information furnished is believed to be accurate and reliable. However, STMicroelectronics assumes no responsibility for the consequences of use of such information nor for any infringement of patents or other rights of third parties which may result from its use. No license is granted by implication or otherwise under any patent or patent rights of STMicroelectronics. Specifications mentioned in this publication are subject to change without notice. This publication supersedes and replaces all information previously supplied. STMicroelectronics products are not authorized for use as critical components in life support devices or systems without express written approval of STMicroelectronics.

The ST logo is a registered trademark of STMicroelectronics  
© 2000 STMicroelectronics - All Rights Reserved

STMicroelectronics GROUP OF COMPANIES  
Australia - Brazil - Canada - China - Finland - France - Germany - Hong Kong - India - Israel - Italy - Japan - Malaysia - Malta - Morocco -  
Singapore - Spain - Sweden - Switzerland - United Kingdom - United States  
<http://www.st.com>