

## 阅读申明

- 1.本站收集的数据手册和产品资料都来自互联网，版权归原作者所有。如读者和版权方有任何异议请及时告之，我们将妥善解决。
- 2.本站提供的中文数据手册是英文数据手册的中文翻译，其目的是协助用户阅读，该译文无法自动跟随原稿更新，同时也可能存在翻译上的不当。建议读者以英文原稿为参考以便获得更精准的信息。
- 3.本站提供的产品资料，来自厂商的技术支持或者使用者的心得体会等，其内容可能存在描述上的差异，建议读者做出适当判断。
- 4.如需与我们联系，请发邮件到marketing@iczoom.com，主题请标有“数据手册”字样。

## Read Statement

1. The datasheets and other product information on the site are all from network reference or other public materials, and the copyright belongs to the original author and original published source. If readers and copyright owners have any objections, please contact us and we will deal with it in a timely manner.
2. The Chinese datasheets provided on the website is a Chinese translation of the English datasheets. Its purpose is for reader's learning exchange only and do not involve commercial purposes. The translation cannot be automatically updated with the original manuscript, and there may also be improper translations. Readers are advised to use the English manuscript as a reference for more accurate information.
3. All product information provided on the website refer to solutions from manufacturers' technical support or users the contents may have differences in description, and readers are advised to take the original article as the standard.
4. If you have any questions, please contact us at marketing@iczoom.com and mark the subject with "Datasheets" .

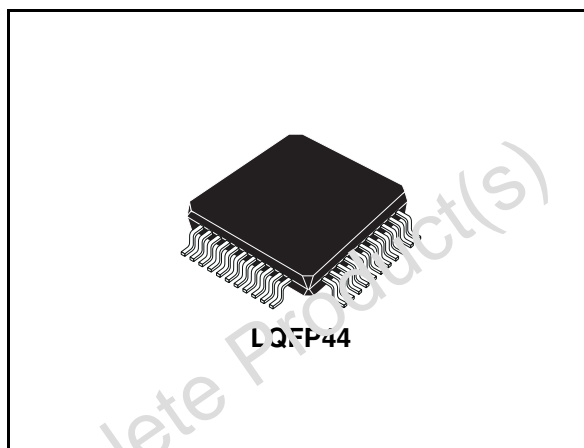


## TDA7501

Line driver for digital car radio  
Signal processor (DSPLD)

### Features

- Inputs:
  - Quasi differential stereo input for CD
  - Differential stereo inputs for phone, navigation, FM, AM
  - Single-ended input for cassette- four independent input multiplexer and gain stages
  - Envelope-detector for AM noise-blanking
  - Mixing of phone and navigation
  - DC connection to DSP
  - Dual MPX inputs
- Outputs:
  - 6 Output channels with independent volume control
  - 4 Main output channels with additional input selector for phone and/or navigation or CD
  - Outputs level up to 4V rms
  - AC connection from DSP
- Digital control:
  - SPI bus or I<sup>2</sup>C bus interface (selectable)
  - Direct mute for the output stages and/or high impedance mpX mute



### Description

The line driver handles all analog input and output signals for the digital car radio signal processor TDA7501. The device contains four independent input multiplexers to select the sources for the DSP's four AD converters. Four additional gain stages allow an adaptation to run the ADCs in best S/N condition.

The six outputs have independent volume stages with a large dynamic range. Using a 12V supply the outputs are able to drive up to 4Vrms .

### Order codes

| Part number | Package                   | Packing       |
|-------------|---------------------------|---------------|
| TDA7501     | LQFP44 (10 x 10 x 1.4 mm) | Tray          |
| TDA7501TR   | LQFP44 (10 x 10 x 1.4 mm) | Tape and Reel |

# Contents

|           |  |           |
|-----------|--|-----------|
| <b>1</b>  | <b>Block diagram and pin connections</b> .....     | <b>5</b>  |
| <b>2</b>  | <b>Electrical specifications</b> .....             | <b>6</b>  |
| <b>3</b>  | <b>Description of the input part</b> .....         | <b>9</b>  |
| 3.1       | Input Stages .....                                 | 10        |
| 3.2       | Dual MPX mode .....                                | 11        |
| 3.3       | Additional quasi differential Input .....          | 11        |
| 3.4       | Transfer function of the AM/FM level inputs .....  | 12        |
| <b>4</b>  | <b>Description of the output part</b> .....        | <b>13</b> |
| 4.1       | Overall gain structure .....                       | 13        |
| 4.2       | Speaker (linedriver) outputs .....                 | 14        |
| <b>5</b>  | <b>Reference concept</b> .....                     | <b>15</b> |
| 5.1       | Dual supply mode .....                             | 15        |
| 5.2       | Single supply mode .....                           | 15        |
| <b>6</b>  | <b>Digital interface</b> .....                     | <b>16</b> |
| <b>7</b>  | <b>SPI bus mode</b> .....                          | <b>17</b> |
| 7.1       | Interface protocol .....                           | 17        |
| <b>8</b>  | <b>I2C bus mode</b> .....                          | <b>18</b> |
| 8.1       | Interface protocol .....                           | 18        |
| <b>9</b>  | <b>Software specification for both modes</b> ..... | <b>19</b> |
| 9.1       | Auto increment .....                               | 19        |
| 9.2       | Reset condition .....                              | 19        |
| 9.3       | Programming modes .....                            | 19        |
| <b>10</b> | <b>Package information</b> .....                   | <b>27</b> |
| <b>11</b> | <b>Revision history</b> .....                      | <b>28</b> |

## List of tables

|           |   |    |
|-----------|---|----|
| Table 1.  | Supply . . . . .  | 6  |
| Table 2.  | Absolute maximum ratings . . . . .                                | 6  |
| Table 3.  | Thermal data . . . . .  | 6  |
| Table 4.  | Electrical characteristics . . . . .                              | 6  |
| Table 5.  | Switching characteristics (SPI mode) . . . . .                    | 17 |
| Table 6.  | Subaddresses . . . . .  | 19 |
| Table 7.  | Input selector 1L..3R, bits D7 ..D3 (subaddresses 0..3) . . . . . | 20 |
| Table 8.  | Input selector 1L, bits D2 ..D0 (subaddresses 0) . . . . .        | 20 |
| Table 9.  | Input selector 1R, bits D2 ..D0 (subaddresses 1) . . . . .        | 21 |
| Table 10. | Input selector 2L, bits D2 ..D0 (subaddresses 2) . . . . .        | 21 |
| Table 11. | Input selector 2R, bits D2 ..D0 (subaddresses 3) . . . . .        | 21 |
| Table 12. | Phone navigation (subaddress 4) . . . . .                         | 22 |
| Table 13. | Mode select (subaddress 5) . . . . .                              | 23 |
| Table 14. | Configuration (subaddress 6) . . . . .                            | 23 |
| Table 15. | Output selector (subaddress 7) . . . . .                          | 24 |
| Table 16. | Volume speaker outputs (subaddresses 8...13) . . . . .            | 25 |
| Table 17. | FM level range (subaddress 14) . . . . .                          | 25 |
| Table 18. | Document revision history . . . . .                               | 28 |

## List of figures

|            |  |    |
|------------|--|----|
| Figure 1.  | Block diagram . . . . .                                      | 5  |
| Figure 2.  | Pin connection (top view) . . . . .                          | 5  |
| Figure 3.  | Input part. . . . .  | 9  |
| Figure 4.  | Quasi differential input-stage. . . . .                      | 10 |
| Figure 5.  | Mono differential input-stage. . . . .                       | 10 |
| Figure 6.  | Differential input-stage for AM/FM. . . . .                  | 10 |
| Figure 7.  | Block diagram Dual MPX. . . . .                              | 11 |
| Figure 8.  | Additional quasi differential input simplified . . . . .     | 11 |
| Figure 9.  | AM/FM level inputs transfer function (DC) . . . . .          | 12 |
| Figure 10. | Output part. . . . .   | 13 |
| Figure 11. | Level diagram. . . . .                                       | 14 |
| Figure 12. | Speaker (Linedriver) outputs simplified . . . . .            | 14 |
| Figure 13. | Reference voltage generation. . . . .                        | 15 |
| Figure 14. | Timing diagram for the SPI bus mode. . . . .                 | 17 |
| Figure 15. | Timing diagram for switching characteristic . . . . .        | 17 |
| Figure 16. | Test board diagram. . . . .                                  | 26 |
| Figure 17. | LQFP44 (10x10) mechanical data & package dimensions. . . . . | 27 |

# 1 Block diagram and pin connections

Figure 1. Block diagram

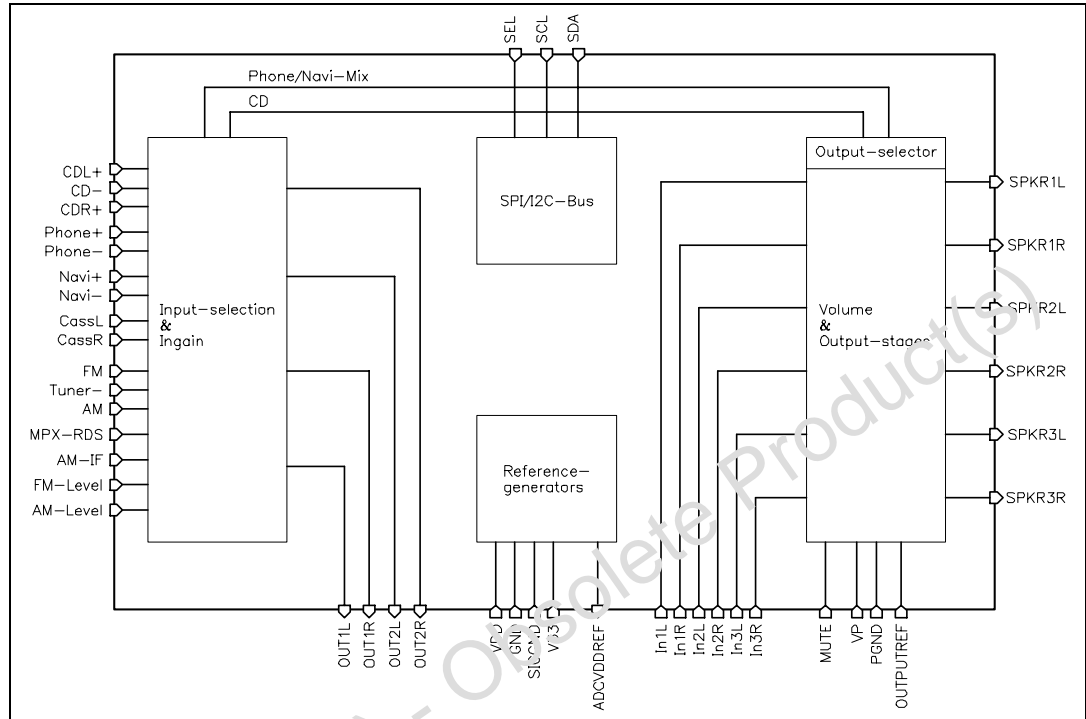
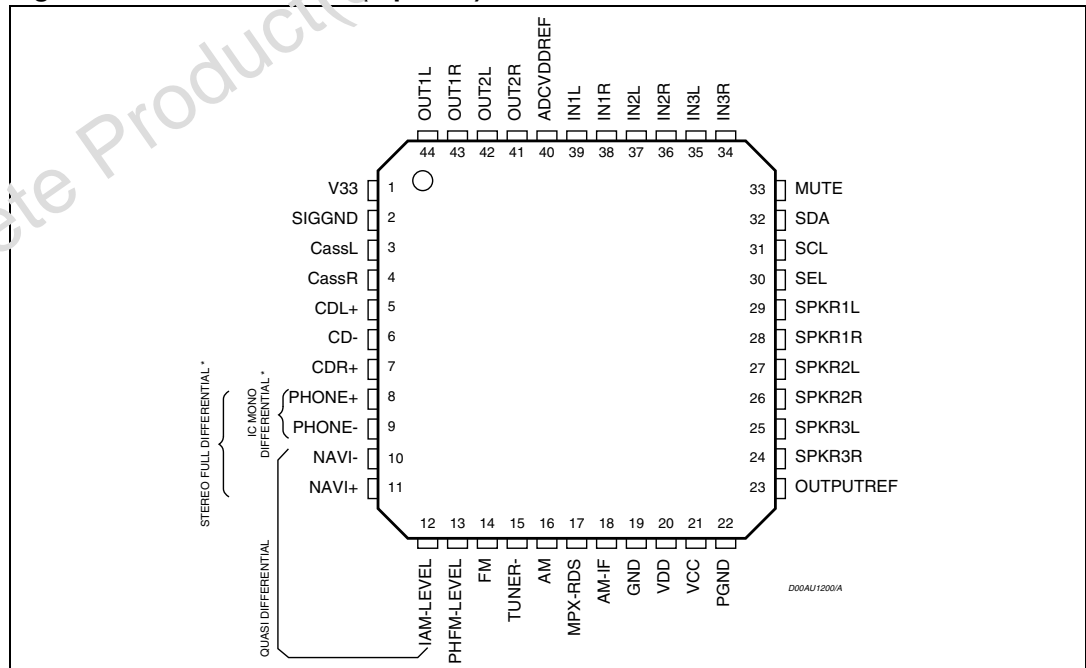


Figure 2. Pin connection (.top view)



## 2 Electrical specifications

**Table 1. Supply**

| Symbol           | Parameter                      | Test condition         | Min. | Typ. | Max. | Unit |
|------------------|--------------------------------|------------------------|------|------|------|------|
| V <sub>dd</sub>  | Supply voltage                 |                        | 7.5  | 8.3  | 10   | V    |
| V <sub>P</sub>   | Output supply voltage          |                        |      | 12   |      | V    |
| I <sub>S8</sub>  | Supply current V <sub>dd</sub> | V <sub>dd</sub> = 8.3V |      | 27   |      | mA   |
| I <sub>S12</sub> | Supply current V <sub>P</sub>  | V <sub>P</sub> = 12V   |      | 5    |      | mA   |
| SVRR             | Ripple rejection @ 1kHz        |                        |      | 60   |      | dB   |

**Table 2. Absolute maximum ratings**

| Symbol             | Parameter                                | Value       | Unit |
|--------------------|--|-------------|------|
| V <sub>DDmax</sub> | Operating supply voltage V <sub>DD</sub> | 10.5        | V    |
| V <sub>Smax</sub>  | Operating supply voltage V <sub>s</sub>  | 13.0        | V    |
| T <sub>amb</sub>   | Operating temperature range              | -40 to 85   | °C   |
| T <sub>stg</sub>   | Storage temperature range                | -55 to +150 | °C   |

**Table 3. Thermal data**

| Symbol                 | Parameter                             | Value | Unit |
|------------------------|---------------------------------------|-------|------|
| R <sub>th j-pins</sub> | Thermal Resistance Junction-pins Max. | 65    | °C/W |

**ESD:**

All pins are protected against ESD according to the MIL883 standard.

**Table 4. Electrical characteristics**  
 (V<sub>DD</sub> = V<sub>S</sub> = 8.3V; V<sub>33</sub> = 3.3V T<sub>amb</sub> = 25°C; R<sub>L</sub> = 10kΩ; all gains = 0dB;  
 f = 1kHz; unless otherwise specified)

| Symbol              | Parameter                     | Test condition   | Min. | Typ.      | Max. | Unit             |
|---------------------|-------------------------------|--|------|-----------|------|------------------|
| <b>General</b>      |                               |  |      |           |      |                  |
| V <sub>CL</sub>     | Input clipping level          |  |      | 2.3       |      | V <sub>RMS</sub> |
| S <sub>IN</sub>     | Input separation              |  | 80   | 100       |      | dB               |
| G <sub>IN MIN</sub> | Min. input gain - input part  |  |      | 0         |      | dB               |
| G <sub>IN MAX</sub> | Max. input gain - input part  |  |      | 15        |      | dB               |
|                     | Max. input gain - output part | Volume 0dB   |      | 12        |      | dB               |
| G <sub>STEP</sub>   | Step resolution               |  |      | 1         |      | dB               |
| V <sub>DC</sub>     | DC steps                      | Adjacent gain steps                                      |      | 0.5       |      | mV               |
|                     |                               | GMIN to GMAX   |      | 5         |      | mV               |
| d <sub>IN</sub>     | Distortion                    | V <sub>OUT</sub> = 0.7V <sub>RMS</sub> all stages<br>0dB |      | 0.00<br>2 | 0.08 | %                |

**Table 4. Electrical characteristics (continued)**  
 ( $V_{DD} = V_S = 8.3V$ ;  $V_{33} = 3.3V$   $T_{amb} = 25^\circ C$ ;  $R_L = 10k\Omega$ ; all gains = 0dB;  
 $f = 1kHz$ ; unless otherwise specified)

| Symbol   | Parameter                     | Test condition              | Min. | Typ. | Max. | Unit       |
|--|-------------------------------|-----------------------------|------|------|------|------------|
| $V_{DCout}$  | Output DC-voltage             | pins 41..44                 |      | 1.65 |      | V          |
| $R_{out}$  | Output impedance OUT1L, 1R    | pins 43..44                 |      | 300  |      | W          |
|  | Output impedance OUT2L, 2R    | pins 41..42                 |      | 3    |      | k $\Omega$ |
| <b>Quasi differential CD stereo input (non inverting)</b>    |                               |                             |      |      |      |            |
| $R_{in}$   | Input resistance (see Fig. 2) | Differential                | 70   | 100  | 130  | k $\Omega$ |
| CMRR   | Common mode rejection ratio   | $V_{CM} = 1V_{RMS} @ 1kHz$  | 45   | 70   |      | dB         |
|  |                               | $V_{CM} = 1V_{RMS} @ 10kHz$ | 45   | 60   |      | dB         |
| $V_N$  | Output noise                  | 20Hz - 20kHz; unweighted    |      | 2.0  |      | $\mu V$    |
| <b>Differential phone/navigation/FM/AM input (inverting)</b> |                               |                             |      |      |      |            |
| $R_{in}$   | Input resistance (see Fig. 3) |                             | 35   | 50   | 65   | k $\Omega$ |
| CMRR   | Common mode rejection ratio   | $V_{CM} = 1V_{RMS} @ 1kHz$  | 40   | 70   |      | dB         |
|  |                               | $V_{CM} = 1V_{RMS} @ 10kHz$ | 40   | 60   |      | dB         |
| $V_N$  | Output noise                  | 20Hz - 20kHz; unweighted    |      | 2.0  |      | $\mu V$    |
| <b>AM IF input</b>   |                               |                             |      |      |      |            |
| $R_{in}$   | Input resistance              |                             | 35   | 50   | 65   | k $\Omega$ |
| <b>Cassette input (non inverting)</b>                        |                               |                             |      |      |      |            |
| $R_{in}$   | Input resistance              |                             | 70   | 100  | 130  | k $\Omega$ |
| $V_N$  | Output noise                  | 20Hz - 20kHz; unweighted    |      | 2.0  |      | $\mu V$    |
| <b>AM/FM level input</b>                                     |                               |                             |      |      |      |            |
| $R_{in}$   | Input resistance              |                             | 70   | 100  | 130  | k $\Omega$ |
| $V_{min}$  | Minimum input voltage         |                             | -0.4 |      |      | V          |
| $V_{max}$  | Maximum input voltage         |                             |      |      | 7.0  | V          |
| <b>Dual MPX control (pin tuner-)</b>                         |                               |                             |      |      |      |            |
| $V_{CTRLMPX1}$   | Control voltage for MPX 1+2   | MPX1 -> MPX1 + MPX2         |      | 1.5  |      | V          |
| $V_{CTRLMPX2}$   | Control voltage for MPX2      | MPX1 + MPX1 -> MPX2         |      | 4.0  |      | V          |
| $V_{CTRLMPX3}$   | Control voltage for MPX 1+2   | MPX2 -> MPX1 + MPX2         |      | 3.5  |      | V          |
| $V_{CTRLMPX4}$   | Control voltage for MPX1      | MPX1 + MPX2 -> MPX2         |      | 1.0  |      | V          |
| <b>Speaker outputs RLOAD = 10KW (AC)</b>                     |                               |                             |      |      |      |            |
| $R_{in}$   | Input impedance               |                             | 35   | 50   | 65   | k $\Omega$ |
| $G_{MAX}$  | Max. gain                     | external reference mode     |      | 33   |      | dB         |



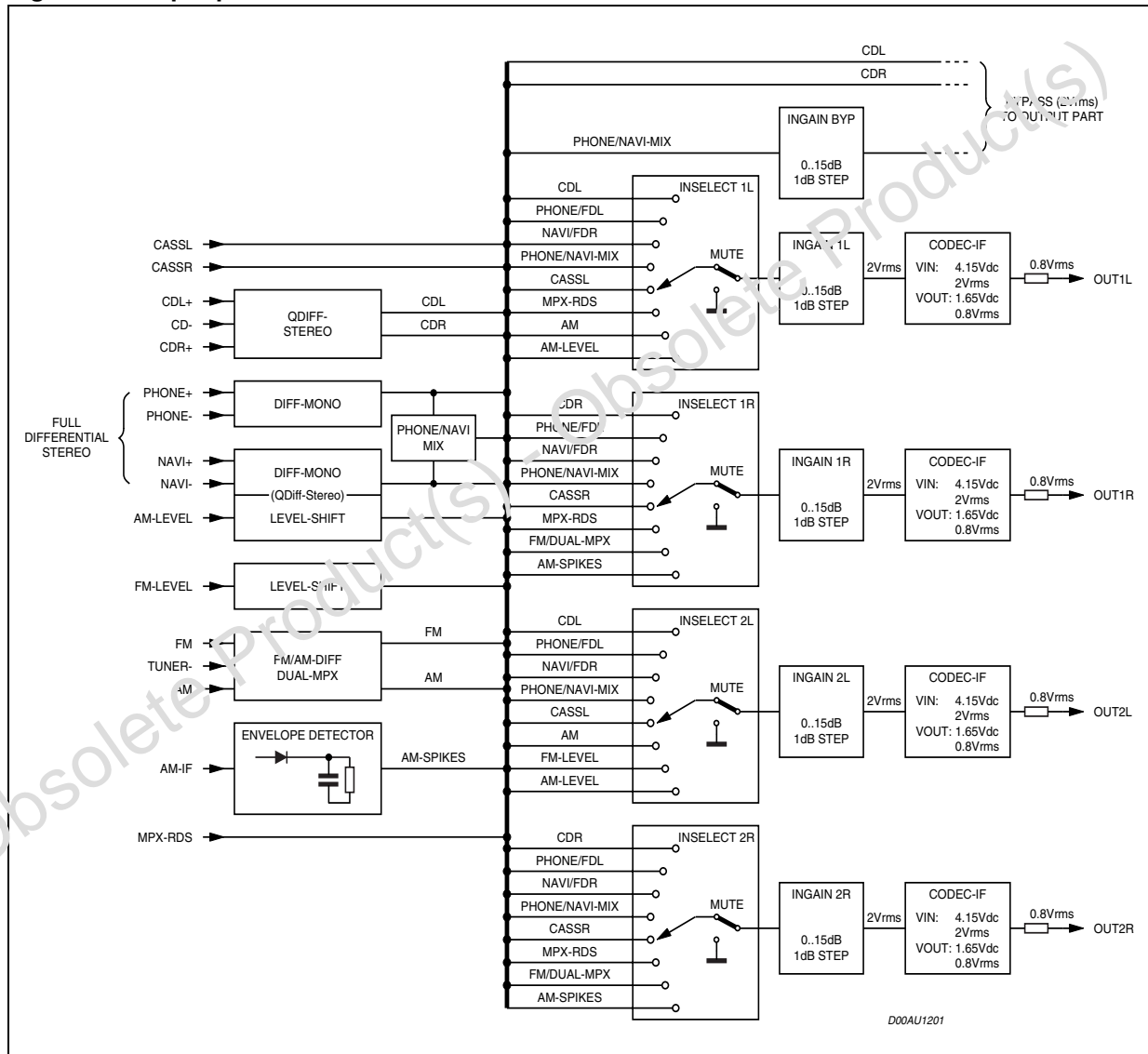
**Table 4. Electrical characteristics (continued)**  
 ( $V_{DD} = V_S = 8.3V$ ;  $V_{33} = 3.3V$   $T_{amb} = 25^{\circ}C$ ;  $R_L = 10k\Omega$ ; all gains = 0dB;  
 $f = 1kHz$ ; unless otherwise specified)

| Symbol                             | Parameter                     | Test condition  | Min. | Typ.       | Max.                     | Unit                                 |
|------------------------------------|-------------------------------|---|------|------------|--------------------------|--------------------------------------|
| ATT <sub>MAX</sub>                 | Max. attenuation              | internal reference mode   |      | -73        |                          | dB                                   |
| ATT <sub>STEP</sub>                | Step resolution               |   |      | 1          |                          | dB                                   |
| ATT <sub>MUTE</sub>                | Output mute attenuation       |   | 80   | 100        |                          | dB                                   |
| E <sub>E</sub>                     | Attenuation set error         | from +15 to -40dB   |      |            | 2                        | dB                                   |
| V <sub>DC</sub>                    | DC steps                      | Adjacent attenuation steps  |      | 0.3        | 3                        | mV                                   |
| V <sub>DCOUT</sub>                 | Output DC voltage             | internal reference mode   |      | 4.15       |                          | V                                    |
|                                    |                               | external reference mode   |      | outr<br>f  |                          | V                                    |
| V <sub>CLIP</sub>                  | Output clipping level         | d = 0.3%, V <sub>CC</sub> = V <sub>DD</sub> = 8.3V<br>gain = 0dB<br>gain = 6dB              |      | 2.3<br>2.8 |                          | V <sub>RMS</sub><br>V <sub>RMS</sub> |
|                                    |                               | d = 0.3%, V <sub>CC</sub> = 12V<br>V <sub>DD</sub> = 8.3V gain = 6dB                        |      | 4          |                          | V <sub>RMS</sub>                     |
| R <sub>L</sub>                     | Output load resistance        | AC coupled  | 5    |            |                          | kΩ                                   |
| C <sub>L</sub>                     | Output load capacitance       |   |      |            | 10                       | nF                                   |
| R <sub>OUT</sub>                   | Output impedance              |   |      | 40         | 120                      | W                                    |
| V <sub>N</sub>                     | Output noise                  | BW = 20Hz-20kHz muted<br>muted 0dB<br>gain = 0dB<br>gain = 6dB                              |      | 3.0        |                          | μV                                   |
|                                    |                               |   |      | 7.5        |                          | μV                                   |
|                                    |                               |   |      | 10         |                          | μV                                   |
|                                    |                               |   |      | 13         |                          | μV                                   |
| S/N                                | Signal to noise ratio         | BW = 20Hz-20kHz V <sub>O</sub> =<br>2V <sub>RMS</sub><br>V <sub>O</sub> = 4V <sub>RMS</sub> |      | 106        |                          | dB                                   |
|                                    |                               |   |      | 110        |                          | dB                                   |
| TH <sub>out</sub>                  | Distortion                    | V <sub>OUT</sub> = 1V <sub>RMS</sub> ; all stages 0dB                                       |      | 0.00<br>5  | 0.08                     | %                                    |
| S <sub>C</sub>                     | Channel separation left/right |   | 80   | 100        |                          | dB                                   |
| X                                  | Crosstalk                     |   | 80   | 100        |                          | dB                                   |
| <b>ADCVDDREF (CODEC reference)</b> |                               |   |      |            |                          |                                      |
| I <sub>maxadc</sub>                | Max. output current           | pin 40  |      |            | 5                        | mA                                   |
| <b>BUS INPUTS</b>                  |                               |   |      |            |                          |                                      |
| V <sub>low</sub>                   | Voltage for logic "0          | "inputs SEL, SCL,SDA,MUTE   |      |            | 0.8                      | V                                    |
| V <sub>high</sub>                  | Voltage for logic "1          | "inputs SEL, SCL,SDA,MUTE   | 2.4  |            |                          | V                                    |
| V <sub>th_SPI</sub>                | SPI_mode threshold voltage    | i   | 0    |            | V <sub>DD</sub> -<br>1.8 | V                                    |

### 3 Description of the input part

On the input side, the TDA7501 (see [Figure 3](#)) connects the external audio and tuner signals to the four AD converters of the digital car radio signal processor TDA7500. The audio signals are adjusted by the input gain stage to the internal reference signal with 2V<sub>rms</sub> referred to 4.15V (=V33 · 1.2575). The following CODEC interface attenuates the 2V<sub>RMS</sub> to 0.8V<sub>rms</sub> referred to the CODEC's reference voltage of 1.65V which allows a DC coupling to the TDA7500.

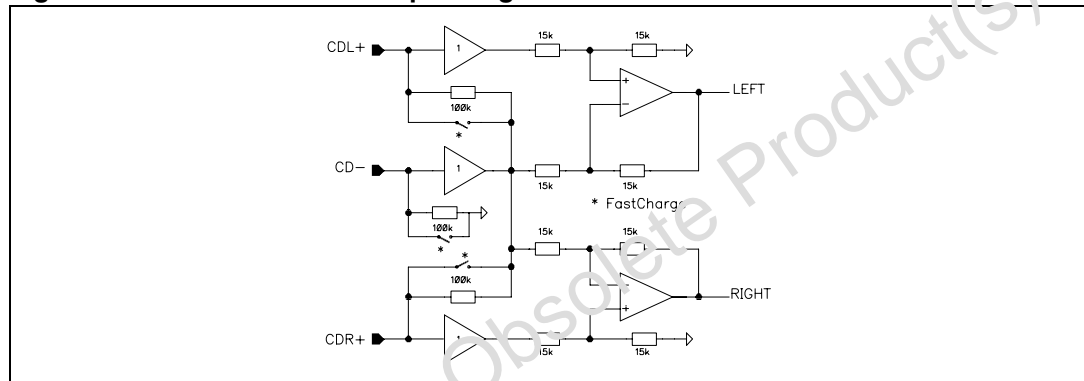
Figure 3. Input part.



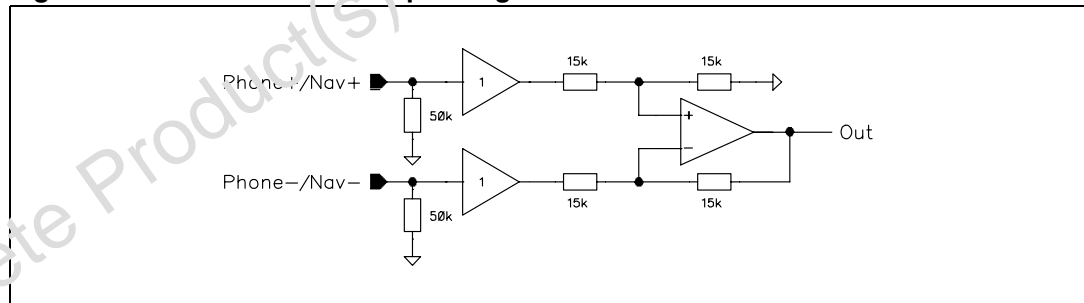
### 3.1 Input Stages

The device offers several input stages for the different signals which have to be handled by the system. A quasi differential input (see [Figure 4](#)) can be used for (external) CD changer. The two mono differential inputs allow the connection of phone & navigation (see [Figure 5](#)) or it could be used as fully differential stereo input. Additionally a single-ended stereo input is available for Cassette applications. The lower part of the input section is dedicated to the tuner signals. Another quasi differential input (see [Figure 6](#)) is used to connect AM and FM referred to the tuner reference (Tuner). This concept supports also double tuner systems. Also two separate level inputs are present which are followed by level-shifters to allow the use of the TDA7500's ADCs. For AM noise blanking an envelope detector driven by the AM IF is also available.

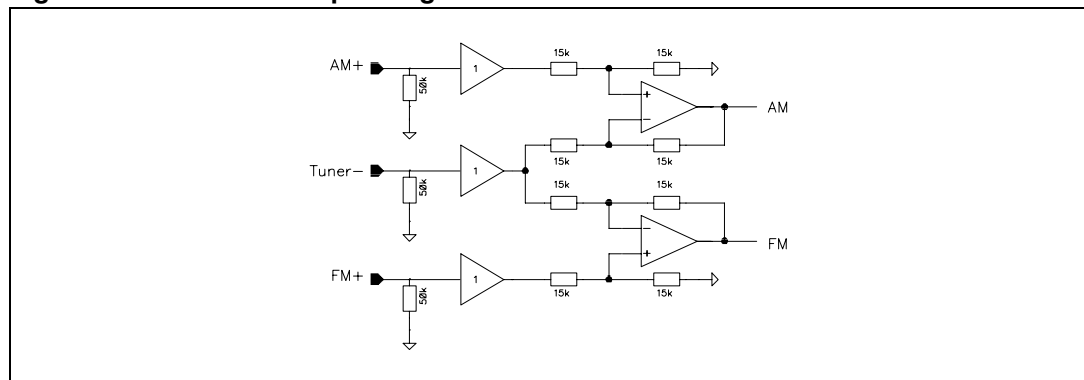
**Figure 4. Quasi differential input-stage.**



**Figure 5. Mono differential input-stage.**



**Figure 6. Differential input-stage for AM/FM.**



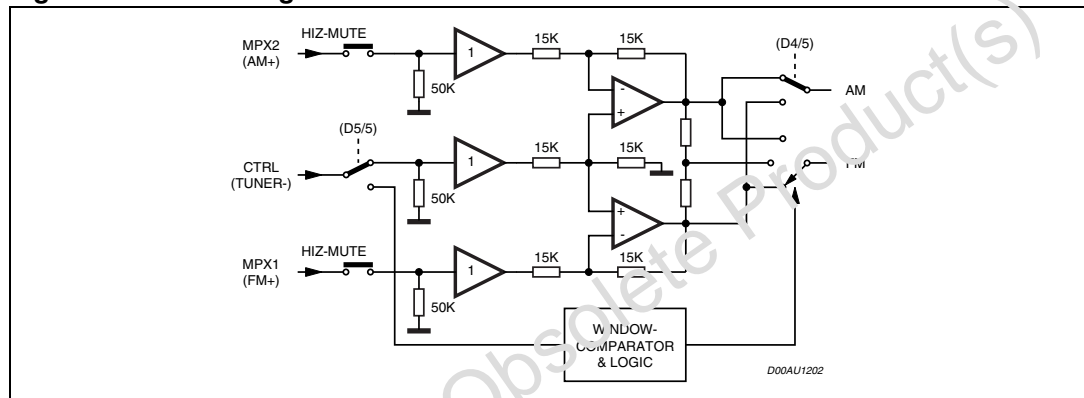
### 3.2 Dual MPX mode

The TDA7501 is able to support a twin tuner concept via the Dual MPX Mode. In this configuration the FM pin and the AM-pin are acting as MPX1 and MPX2 inputs. The DC Voltage at the TUNER pin controls whether MPX1, both MPX signals or MXX2 is used to decode the stereo FM signal (see [Figure 6](#) Please note that the thresholds have a hysteresis of 500mV. During this mode the high ohmic mute acts on both inputs in parallel.

Furthermore, a background tuner on the internal AM path can be selected by software aswcting to one of the two MPX inputs.

For the programming of the Dual MPX Mode see the programming section.

**Figure 7. Block diagram Dual MPX.**

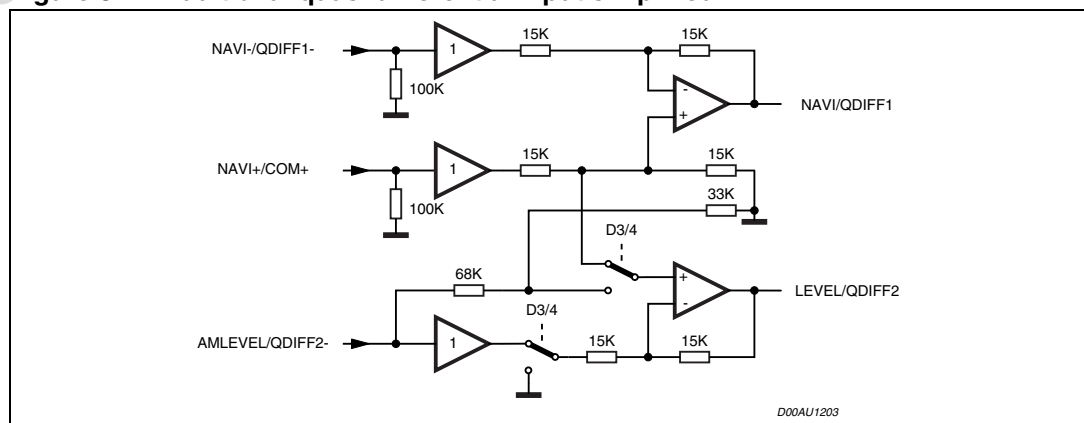


### 3.3 Additional quasi differential Input

The TDA7501 can be programmed to additional quasi-differential input by rearranging the configuration of the navigation and AM level inputs. Since the AM level input becomes the 2nd differential input, the level shift function is not available.

For the programming of the navigation/AM level input configuration see the programming section.

**Figure 8. Additional quasi differential input simplified**



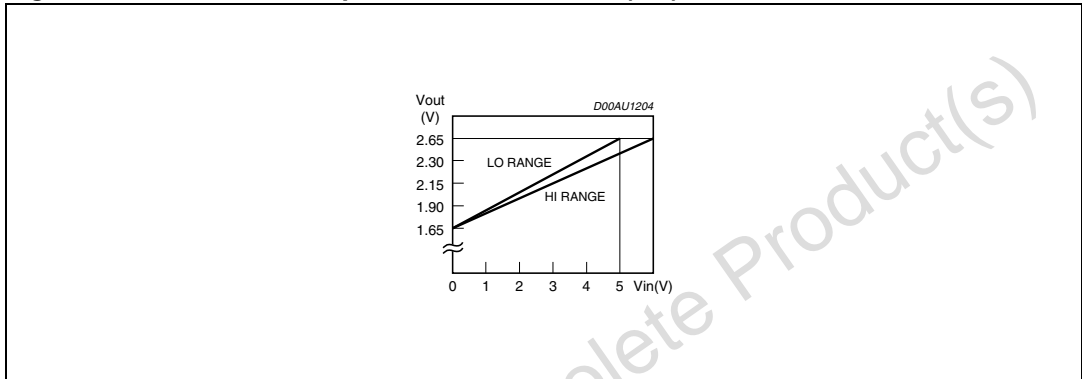
### 3.4 Transfer function of the AM/FM level inputs

In the TDA7501 two level shift stages convert a tuner level (DC) signal to a unipolar output signal with respect to the Codec Interface reference, that is 1.65V.

The FM level input can be programmed to a signal range of either 0 to 5V (Lo range) which is the default, or 0 to 6V (Hi range). The AM level input is fixed to the lower 0 to 5V input range.

For the programming of the FM level input range see the programming section.

**Figure 9. AM/FM level inputs transfer function (DC)**

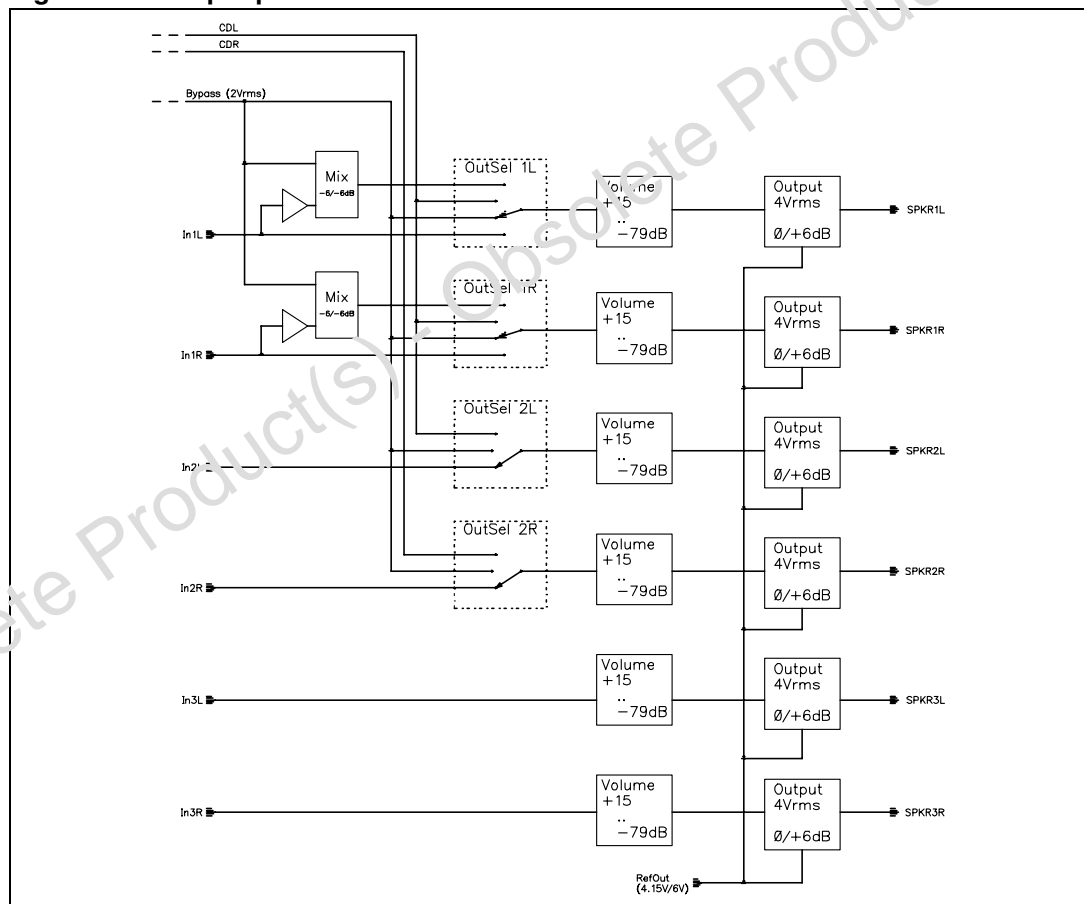


## 4 Description of the output part

The TDA7501 has 6 independent outputstage with volume control. The first 4 (main) outputs have an input selector which allows to select besides the DAC outputs CD direct or Phone/Navigation-mix. In addition one can mix the SPKR1 with Phone/Navigation so that traffic or navigation announcements can bypass the DSP (see figure 8).

The TDA7500 CODEC outputs have a maximum output voltage of 0.5Vrms . To obtain 4Vrms , (in the dual supply mode only) the signal is first amplified to have a reference amplitude of 2V rms. The following volume stage offers up to 15dB gain which gives along with the programmable 6dB gain in the output-stage enough overdrive capability. To achieve the maximum output swing of 4Vrms the device must be supplied with an additional supply of 12V. With a single supply ( $V_{dd} = V_{CC} = 8.3V$ ) 2.8Vrms are obtained at the output at maximum.

Figure 10. Output part.

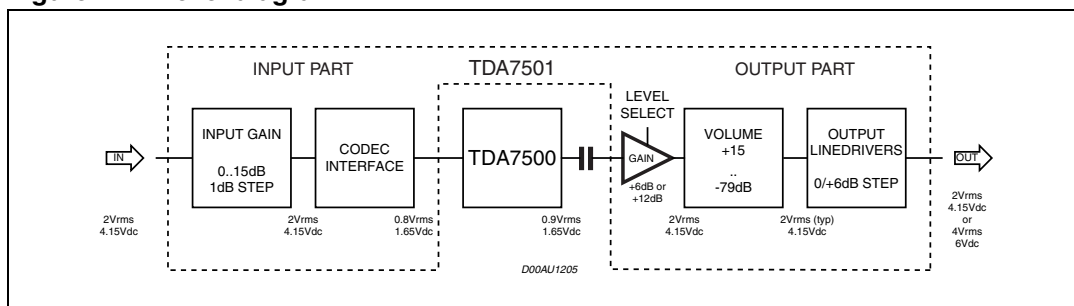


### 4.1 Overall gain structure

The overall gain structure of the TDA7501 can be shown in its target application together with the V225.

The output part in level select (D6/4) offers an additional adaption to the DSP's output level

Figure 11. Level diagram.



## 4.2 Speaker (linedriver) outputs

The Speaker outputs can be configured in three different operating modes:

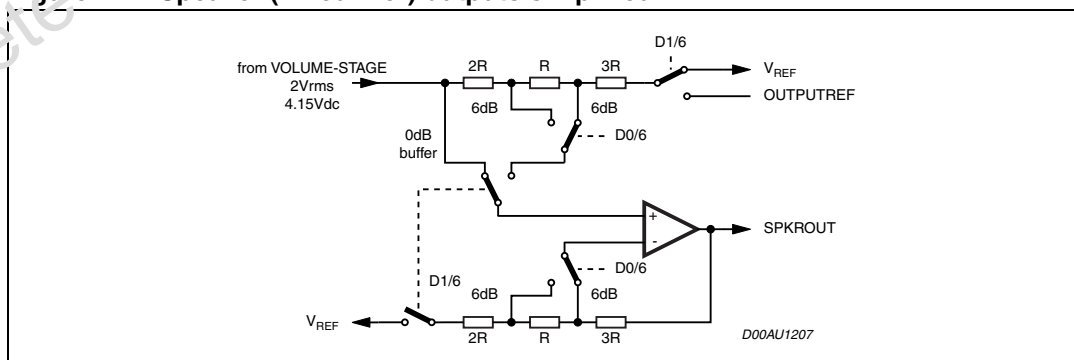
1. - Internal reference mode with 0dB output gain,
2. - External reference mode with 0dB output gain
3. - External reference mode with 6dB output gain

Basically, in the internalreference mode the linedriver amplifier acts as a buffer with 0dB gain regardless of the output gain programmed by bit D0. Since the buffer tracks the internal generated reference, the OUTPUTREF pin may be left floating.

In the external reference mode the linedriver amplifiers reference tracks the voltage present at the OUTPUTREF pin. This reference does not necessary have to be external to the device, it can also be generated by invoking the VCC/2 divider inside the TDA7501 (bit D1/6). In practice, the term external reference implied that the OUTPUTREF pin at least has to connect to an external capacitor. In the external reference mode, an additional gain of 6dB can be added by assessing bit D0. This provides a nominal 4V<sub>RMS</sub> output level in case the TDA7501 is powered from a dual supply (V<sub>DD</sub> = 8.3V). When fed from a single supply, only 2.8V<sub>RMS</sub> output level can be achieved.

For the programming of output gain and reference selection see the programming section.

Figure 12. Speaker (Linedriver) outputs simplified



## 5 Reference concept

For the input section the TDA7501 generates the internal reference voltage by multiplying the V33 voltage by 1.2575.

The V33 voltage is also buffered and fed back to the CODEC where it is used to generate all necessary references. For best performance it is recommended to filter the V33 reference pin by means of a passive second order lowpass as shown in [Figure 13](#). This concept allows a direct DC coupling between the TDA7501 and the DSP because of the accurate matching of DC levels. On the output side the TDA7501 offers two main modes: a single supply and a dual supply mode.

### 5.1 Dual supply mode

In this mode the outputs are able to provide up to 4V rms with a minimum supply  $V_{CC}$  of 12V as well as a output reference voltage set to half of  $V_{CC}$  (bit D0 of the mode select byte set to '1').

If the switch D1/byte mode select is open the output reference voltage must be defined externally e.g. a zener diode with RC lowpass.

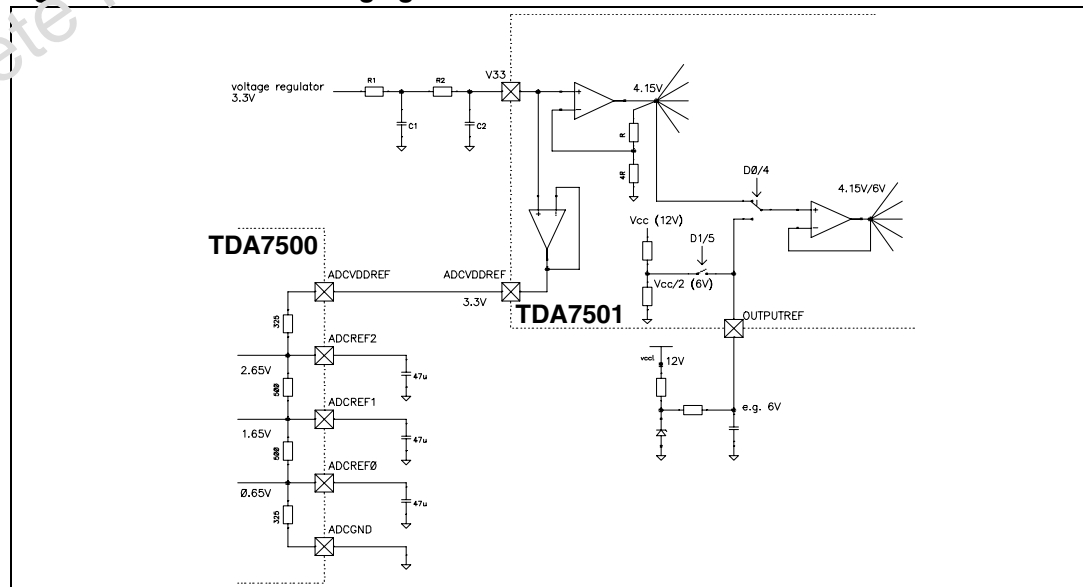
If the switch is closed the reference voltage will be half of  $V_{CC}$  and only an external capacitor has to be added.

### 5.2 Single supply mode

If  $V_{CC}$  and  $V_{dd}$  are connected to a single supply the maximum possible output swing is about 2.8V rms.

The output reference voltage pin can be left open or otherwise the internal voltage divider can be used to generate for the outputs a  $V_{CC}/2$  reference.

**Figure 13. Reference voltage generation**





## 6 Digital interface

The TDA7501 digital interface offers two different protocols: SPI and I2C.

To select I2C-mode the SEL-pin has to be connected to VDD. If the voltage at the SEL-pin is more than about 1V below the VDD voltage the interface switches to SPI-mode.

In both cases the interface is able to work with a 3.3V microprocessor as well as with a 5V microprocessor. For details of both protocols refer to the programming section.

Obsolete Product(s) - Obsolete Product(s)

## 7 SPI bus mode

### 7.1 Interface protocol

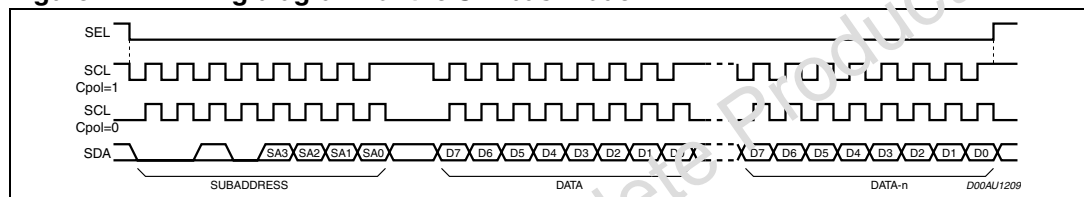
The TDA7501 SPI interface protocol comprises :

- a subaddress and
- a sequence of n databytes

each consisting of 8 bits (see [Figure 14](#)).

The interface accepts both a positiv (Cpol = 1, Cpha = 1) as well as a negativ (Cpol = 0, Cpha = 0) clocking scheme. However, the data transmitted has to be valid on the rising edges of the serial clock SCL.

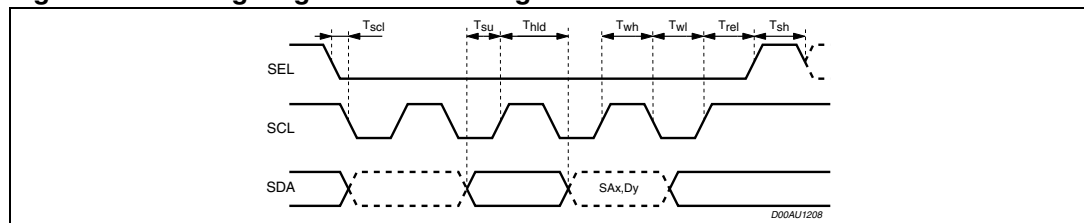
**Figure 14. Timing diagram for the SPI bus mode.**



**Table 5. Switching characteristics (SPI mode)**

| Symbol     | Parameter  | Min. | Typ. | Max. | Unit |
|------------|--|------|------|------|------|
| $f_{SCLK}$ | Serial input clock frequency (SCL)               | 0    |      | 4.0  | MHz  |
| $T_{su}$   | Serial data setup time                           | 40   |      |      | ns   |
| $T_{hld}$  | Serial data hold time                            | 40   |      |      | ns   |
| $T_{wh}$   | Serial clock high time width                     | 100  |      |      | ns   |
| $T_{wl}$   | Serial clock low time width                      | 100  |      |      | ns   |
| $T_{scl}$  | Select (SEL) to select (SCL) falling setup time  | 200  |      |      | ns   |
| $T_{rfl}$  | Select (SCL) to select (SEL) rising release time | 200  |      |      | ns   |
| $t_r$      | Data rise time                                   |      |      | 2    | ms   |
| $t_f$      | Data fall time                                   |      |      | 2    | ms   |
| $T_{sh}$   | Chip select high time                            | 200  |      |      | ns   |

**Figure 15. Timing diagram for switching characteristic**

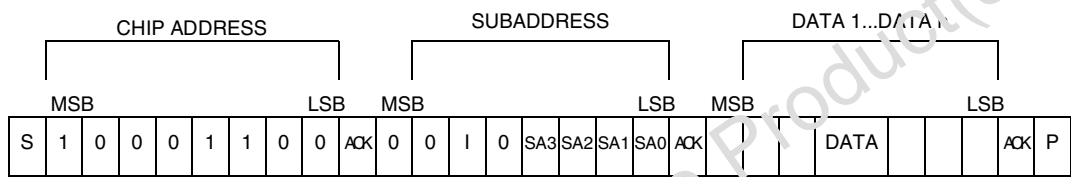


## 8 I<sup>2</sup>C bus mode

### 8.1 Interface protocol

The interface protocol comprises:

- a start condition (S)
- a chip address byte (write mode only)
- a subaddress byte
- a sequence of data (N-bytes + acknowledge)
- a stop condition (P)



ACK = Acknowledge  
 S = Start  
 P = Stop

## 9 Software specification for both modes

### 9.1 Auto increment

If bit I in the subaddress byte is set to "1", the autoincrement of the subaddress is enabled.

### 9.2 Reset condition

A Power-On-Reset is invoked if the Supply-Voltage  $V_{dd}$  is below than 3.5V. After POR the following data is written automatically into the registers of all subaddresses :

| MSB |   |   |   |   |   |   | LSB |
|-----|---|---|---|---|---|---|-----|
| 1   | 1 | 1 | 1 | 1 | 1 | 1 | 0   |

The programming after POR is marked bold-face in the programming tables.

With this programming all the outputs are muted to their corresponding reference voltages.

### 9.3 Programming modes

Table 6. Subaddresses

| MSB |    |   |    | LSB |     |     |     | Name                   |
|-----|----|---|----|-----|-----|-----|-----|------------------------|
| D7  | D6 | I | D4 | SA3 | SA2 | SA1 | SA0 |                        |
|     |    |   |    | 0   | 0   | 0   | 0   | Input selector 1L      |
|     |    |   |    | 0   | 0   | 0   | 1   | Input selector 1R      |
|     |    |   |    | 0   | 0   | 1   | 0   | Input selector 2L      |
|     |    |   |    | 0   | 0   | 1   | 1   | Input selector 2R      |
|     |    |   |    | 0   | 1   | 0   | 0   | Phone/Navigation       |
|     |    |   |    | 0   | 1   | 0   | 1   | Mode Select            |
|     |    |   |    | 0   | 1   | 1   | 0   | Configuration          |
|     |    |   |    | 0   | 1   | 1   | 1   | Output selector        |
|     |    |   |    | 1   | 0   | 0   | 0   | Volume 1L              |
|     |    |   |    | 1   | 0   | 0   | 1   | Volume 1R              |
|     |    |   |    | 1   | 0   | 1   | 0   | Volume 2L              |
|     |    |   |    | 1   | 0   | 1   | 1   | Volume 2R              |
|     |    |   |    | 1   | 1   | 0   | 0   | Volume 3L              |
|     |    |   |    | 1   | 1   | 0   | 1   | Volume 3R              |
|     |    |   |    | 1   | 1   | 1   | 0   | FM-level               |
|     |    |   |    | 1   | 1   | 1   | 1   | reserved               |
|     |    | 0 |    |     |     |     |     | Autoincrement mode off |
|     |    | 1 |    |     |     |     |     | Autoincrement mode on  |
| 0   | 0  |   | 0  |     |     |     |     | must be "0"            |

**Table 7. Input selector 1L..3R, bits D7 ..D3 (subaddresses 0..3)**

| MSB |    |    |    | LSB    |    |    |    | Function                        |
|-----|----|----|----|--------|----|----|----|---------------------------------|
| D7  | D6 | D5 | D4 | D3     | D2 | D1 | D0 |                                 |
|     |    |    |    | 0<br>1 |    |    |    | <b>mute</b><br>off<br><b>on</b> |
| 0   | 0  | 0  | 0  |        |    |    |    | gain<br>15dB                    |
| 0   | 0  | 0  | 1  |        |    |    |    | 14dB                            |
| 0   | 0  | 1  | 0  |        |    |    |    | 13dB                            |
| 0   | 0  | 1  | 1  |        |    |    |    | 12dB                            |
| 0   | 1  | 0  | 0  |        |    |    |    | 11dB                            |
| 0   | 1  | 0  | 1  |        |    |    |    | 10dB                            |
| 0   | 1  | 1  | 0  |        |    |    |    | 9dB                             |
| 0   | 1  | 1  | 1  |        |    |    |    | 8dB                             |
| 1   | 0  | 0  | 0  |        |    |    |    | 7dB                             |
| 1   | 0  | 0  | 1  |        |    |    |    | 6dB                             |
| 1   | 0  | 1  | 0  |        |    |    |    | 5dB                             |
| 1   | 0  | 1  | 1  |        |    |    |    | 4dB                             |
| 1   | 1  | 0  | 0  |        |    |    |    | 3dB                             |
| 1   | 1  | 0  | 1  |        |    |    |    | 2dB                             |
| 1   | 1  | 0  | 0  |        |    |    |    | 1dB                             |
| 1   | 1  | 1  | 1  |        |    |    |    | 0dB                             |

**Table 8. Input selector 1L, bits D2 ..D0 (subaddresses 0)**

| MSB |    |    |    | LSB |          |          |          | Function                    |
|-----|----|----|----|-----|----------|----------|----------|-----------------------------|
| D7  | D6 | D5 | D4 | D3  | D2       | D1       | D0       |                             |
|     |    |    |    |     | 0        | 0        | 0        | <b>source select</b><br>CDL |
|     |    |    |    |     | 0        | 0        | 1        | Phone/FDL                   |
|     |    |    |    |     | 0        | 1        | 0        | Navigation/FDR              |
|     |    |    |    |     | 0        | 1        | 1        | Phone/Navigation mix        |
|     |    |    |    |     | 1        | 0        | 0        | CassL                       |
|     |    |    |    |     | 1        | 0        | 1        | MPX-RDS                     |
|     |    |    |    |     | <b>1</b> | <b>1</b> | <b>0</b> | <b>AM</b>                   |
|     |    |    |    |     | 1        | 1        | 1        | AM-level                    |

Table 9. Input selector 1R, bits D2 ..D0 (subaddresses 1)

| MSB |    |    |    |    |    |    | LSB | Function                                  |
|-----|----|----|----|----|----|----|-----|---|
| D7  | D6 | D5 | D4 | D3 | D2 | D1 | D0  |   |
|     |    |    |    |    | 0  | 0  | 0   | <b>source select</b><br>CDR               |
|     |    |    |    |    | 0  | 0  | 1   | Phone/FDL                                 |
|     |    |    |    |    | 0  | 1  | 0   | Navigation/FDR                            |
|     |    |    |    |    | 0  | 1  | 1   | Phone/Navigation mix                      |
|     |    |    |    |    | 1  | 0  | 0   | CassR                                     |
|     |    |    |    |    | 1  | 0  | 1   | MPX-RDS                                   |
|     |    |    |    |    | 1  | 1  | 0   | <b>FM</b> (or MPX1/MPX2 in Dual MPX mode) |
|     |    |    |    |    | 1  | 1  | 1   | AM-spikes                                 |

Table 10. Input selector 2L, bits D2 ..D0 (subaddresses 2)

| MSB |    |    |    |    |    |    | LSB | Function                    |
|-----|----|----|----|----|----|----|-----|-----------------------------|
| D7  | D6 | D5 | D4 | D3 | D2 | D1 | D0  |                             |
|     |    |    |    |    | 0  | 0  | 0   | <b>source select</b><br>CDL |
|     |    |    |    |    | 0  | 0  | 1   | Phone/FDL                   |
|     |    |    |    |    | 0  | 1  | 0   | Navigation/FDR              |
|     |    |    |    |    | 0  | 1  | 1   | Phone/Navigation mix        |
|     |    |    |    |    | 1  | 0  | 0   | CassL                       |
|     |    |    |    |    | 1  | 0  | 1   | AM                          |
|     |    |    |    |    | 1  | 1  | 0   | <b>FM-level</b>             |
|     |    |    |    |    | 1  | 1  | 1   | AM-level                    |

Table 11. Input selector 2R, bits D2 ..D0 (subaddresses 3)

| MSB |    |    |    |    |    |    | LSB | Function                                  |
|-----|----|----|----|----|----|----|-----|---|
| D7  | D6 | D5 | D4 | D3 | D2 | D1 | D0  |   |
|     |    |    |    |    | 0  | 0  | 0   | <b>source select</b><br>CDR               |
|     |    |    |    |    | 0  | 0  | 1   | Phone/FDL                                 |
|     |    |    |    |    | 0  | 1  | 0   | Navigation/FDR                            |
|     |    |    |    |    | 0  | 1  | 1   | Phone/Navigation mix                      |
|     |    |    |    |    | 1  | 0  | 0   | CassR                                     |
|     |    |    |    |    | 1  | 0  | 1   | MPX-RDS                                   |
|     |    |    |    |    | 1  | 1  | 0   | <b>FM</b> (or MPX1/MPX2 in Dual MPX mode) |
|     |    |    |    |    | 1  | 1  | 1   | AM-spikes                                 |

Table 12. Phone navigation (subaddress 4)

| MSB |    |    | LSB |          |          |          |    | Function  |
|-----|----|----|-----|----------|----------|----------|----|---|
| D7  | D6 | D5 | D4  | D3       | D2       | D1       | D0 |   |
|     |    |    |     |          | 0        | 0        | 0  | <b>mix level phone/navigation</b><br>0/mute                                     |
|     |    |    |     |          | 0        | 0        | 1  | -1.6dB/-15.5dB  |
|     |    |    |     |          | 0        | 1        | 0  | -3.6/-9.6dB   |
|     |    |    |     |          | 0        | 1        | 1  | -6/-6dB   |
|     |    |    |     |          | 1        | 0        | 0  | -9.6/-3.6dB   |
|     |    |    |     |          | 1        | 0        | 1  | -15.5/-1.6dB  |
|     |    |    |     | <b>1</b> | <b>1</b> | <b>0</b> |    | mute/0dB  |
|     |    |    |     |          | 1        | 1        | 1  | mute  |
|     |    |    |     | 0        |          |          |    | <b>Input configuration</b><br>quasidifferential input (no level shift function) |
|     |    |    |     | 1        |          |          |    | <b>nav i &amp; AM Level input</b>   |
| 0   | 0  | 0  | 0   |          |          |          |    | <b>gain</b><br>15dB   |
| 0   | 0  | 0  | 1   |          |          |          |    | 14dB  |
| 0   | 0  | 1  | 0   |          |          |          |    | 13dB  |
| 0   | 0  | 1  | 1   |          |          |          |    | 12dB  |
| 0   | 1  | 0  | 0   |          |          |          |    | 11dB  |
| 0   | 1  | 0  | 1   |          |          |          |    | 10dB  |
| 0   | 1  | 0  | 0   |          |          |          |    | 9dB   |
| 0   | 1  | 1  | 1   |          |          |          |    | 8dB   |
| 1   | 0  | 0  | 0   |          |          |          |    | 7dB   |
| 1   | 0  | 0  | 1   |          |          |          |    | 6dB   |
| 1   | 0  | 1  | 0   |          |          |          |    | 5dB   |
| 1   | 0  | 1  | 1   |          |          |          |    | 4dB   |
| 1   | 1  | 0  | 0   |          |          |          |    | 3dB   |
| 1   | 1  | 0  | 1   |          |          |          |    | 2dB   |
| 1   | 1  | 0  | 0   |          |          |          |    | 1dB   |
| 1   | 1  | 1  | 1   |          |          |          |    | 0dB   |

Table 13. Mode select (subaddress 5)

| MSB              |                  |        |        |                  |                  |                  | LSB              |   | Function |
|------------------|------------------|--------|--------|------------------|------------------|------------------|------------------|---|----------|
| D7               | D6               | D5     | D4     | D3               | D2               | D1               | D0               |   |          |
|                  |                  |        |        |                  |                  | 0<br>0<br>1<br>1 | 0<br>1<br>0<br>1 | <b>AM-IF rectifier gain</b><br>18dB<br>15.5dB<br>12dB<br>6dB  |          |
|                  |                  |        |        | 0<br>0<br>1<br>1 | 0<br>1<br>0<br>1 |                  |                  | <b>AM-IF rectifier corner frequency</b><br>14KHz<br>18.5KHz<br>28KHz<br>56KHz   |          |
|                  |                  |        | 0<br>1 |                  |                  |                  |                  | <b>background tuner select</b> (internal AM-path)<br>FM-in (MPX1)<br>AM-in (MPX2)   |          |
|                  |                  | 0<br>1 |        |                  |                  |                  |                  | <b>Dual MPX mode</b><br>on (control through Tuner- - voltage)<br>off  |          |
| 0<br>0<br>1<br>1 | 0<br>1<br>0<br>1 |        |        |                  |                  |                  |                  | <b>forced Dual MPX mode</b><br>MPX1 (allows automatic selection)<br>MPX2 (overwrites automatic selection)<br>MPX1+ MPX2 (overwrites automatic selection)<br>MPX1 (overwrites automatic selection) |          |

Table 14. Configuration (subaddress 6)

| MSB |    |    |    |    |    |        | LSB    |   | Function |
|-----|----|----|----|----|----|--------|--------|---|----------|
| D7  | D6 | D5 | D4 | D3 | D2 | D1     | D0     |   |          |
|     |    |    |    |    |    |        | 0<br>1 | <b>output gain</b><br>0dB<br>+6dB   |          |
|     |    |    |    |    |    | 0<br>1 |        | reference voltage setting for output<br>external reference / internal reference<br>(V33*1.25) |          |
|     |    |    |    |    | 01 |        |        | internal divider for output reference<br>voltage connected to VCC/2<br>disconnected           |          |
|     |    |    |    | 01 |    |        |        | fast charge (switches at CD input)<br>open closed   |          |
|     |    |    | 01 |    |    |        |        | Input level select (output<br>power)12dB6d0   |          |



**Table 14. Configuration (subaddress 6) (continued)**

| MSB |    |    |    |    |    |    | LSB |  | Function |
|-----|----|----|----|----|----|----|-----|--|----------|
| D7  | D6 | D5 | D4 | D3 | D2 | D1 | D0  |  |          |
|     |    | 01 |    |    |    |    |     | RDS-mute (high impedance)mutedunmuted  |          |
|     | 01 |    |    |    |    |    |     | mute pin function I"0" does not activate the output mute"1" activates the output mute                  |          |
| 01  |    |    |    |    |    |    |     | mute pin function II"0" activates the high impedance mute"1" does not activate the high impedance mute |          |

**Table 15. Output selector (subaddress 7)**

| MSB              |                  |                  |                  |                  |                  |                  | LSB              |   | Function |
|------------------|------------------|------------------|------------------|------------------|------------------|------------------|------------------|---|----------|
| D7               | D6               | D5               | D4               | D3               | D2               | D1               | D0               |   |          |
|                  |                  |                  |                  |                  |                  | 0<br>0<br>1<br>1 | 0<br>1<br>0<br>1 | <b>source select SPKR 1L</b><br>Bypass<br>CDL<br><b>Phone/Navigation mix / IN1L</b><br>IN1L |          |
|                  |                  |                  |                  | 0<br>0<br>1<br>1 | 0<br>1<br>0<br>1 |                  |                  | <b>source select SPKR 1R</b><br>Bypass<br>CDL<br>Phone/Navigation mix / IN1R<br><b>N1R</b>  |          |
|                  |                  | 0<br>0<br>1<br>1 | 0<br>1<br>0<br>1 |                  |                  |                  |                  | <b>source select SPKR 2L</b><br>Bypass<br>CDL<br>mute<br><b>IN2L</b>                        |          |
| 0<br>0<br>1<br>1 | 0<br>1<br>0<br>1 |                  |                  |                  |                  |                  |                  | <b>source select SPKR 2R</b><br>Bypass<br>CDL<br>mute<br><b>IN2R</b>                        |          |

Table 16. Volume speaker outputs (subaddresses 8...13)

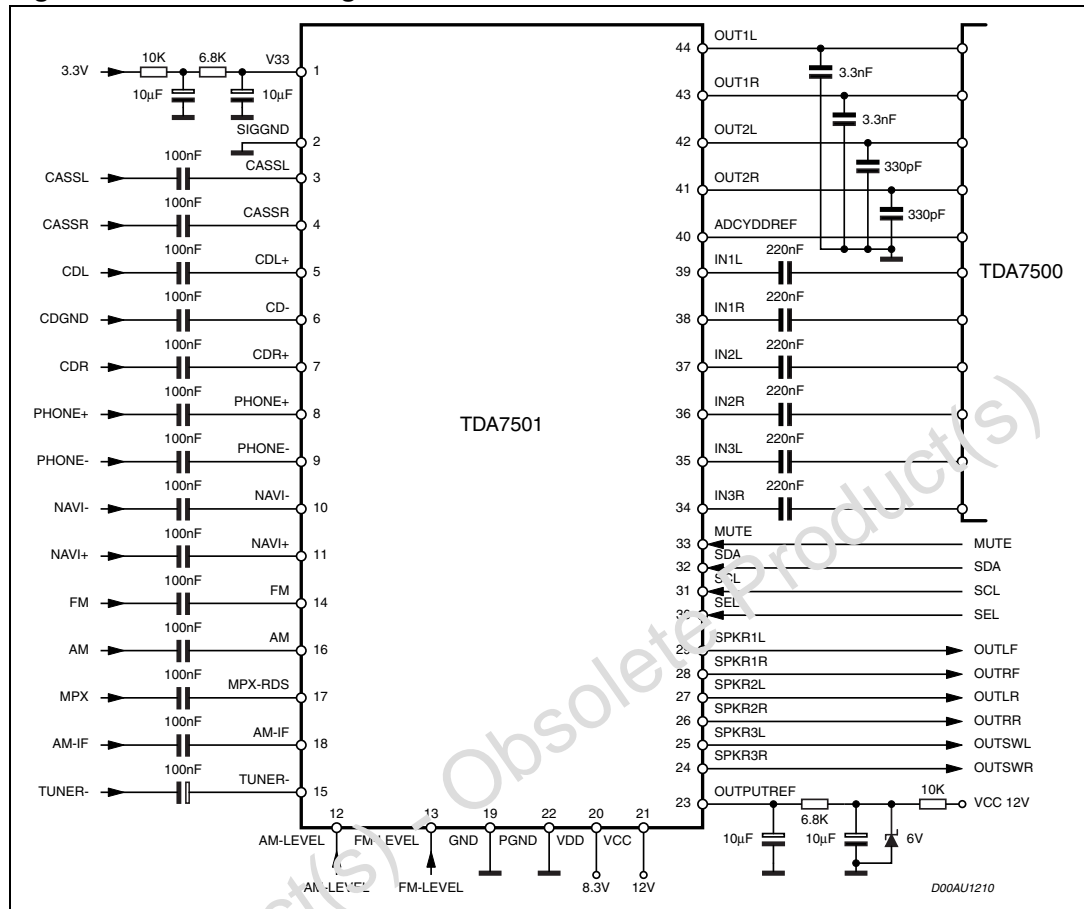
| MSB |    |    |    |    |    |    | LSB |       | Function |
|-----|----|----|----|----|----|----|-----|-------|----------|
| D7  | D6 | D5 | D4 | D3 | D2 | D1 | D0  |       |          |
| 1   | 0  | 0  | 0  | 1  | 1  | 1  | 1   | +15dB |          |
| :   | :  | :  | :  | :  | :  | :  | :   | :     |          |
| 1   | 0  | 0  | 0  | 0  | 0  | 0  | 1   | +1dB  |          |
| 1   | 0  | 0  | 0  | 0  | 0  | 0  | 0   | 0dB   |          |
| 0   | 0  | 0  | 0  | 0  | 0  | 0  | 0   | 0dB   |          |
| 0   | 0  | 0  | 0  | 0  | 0  | 0  | 1   | -1dB  |          |
| :   | :  | :  | :  | :  | :  | :  | :   | :     |          |
| 0   | 0  | 0  | 0  | 1  | 1  | 1  | 1   | -15dB |          |
| 0   | 0  | 0  | 1  | 0  | 0  | 0  | 0   | -16dB |          |
| :   | :  | :  | :  | :  | :  | :  | :   | :     |          |
| 0   | 1  | 0  | 0  | 1  | 1  | 1  | 0   | -78dB |          |
| 0   | 1  | 0  | 0  | 1  | 1  | 1  | 1   | -79dB |          |
| x   | 1  | 1  | x  | x  | x  | x  | x   | Mute  |          |

Table 17. FM level range (subaddress 14)

| MSB |    |    |    |    |    |    | LSB |             | Function |
|-----|----|----|----|----|----|----|-----|-------------|----------|
| D7  | D6 | D5 | D4 | D3 | D2 | D1 | D0  |             |          |
| 1   | 0  | 0  | 0  | 1  | 1  | 0  |     | 0...6Volts  |          |
|     |    |    | :  |    |    | 1  |     | 0...5 Volts |          |
| 1   | 1  | 1  | 1  | 1  | 1  |    | 0   | Must be     |          |

The unused subaddresses 14/15 must be programmed to "11111110" to allow software compatibility to future extensions.

Figure 16. Test board diagram

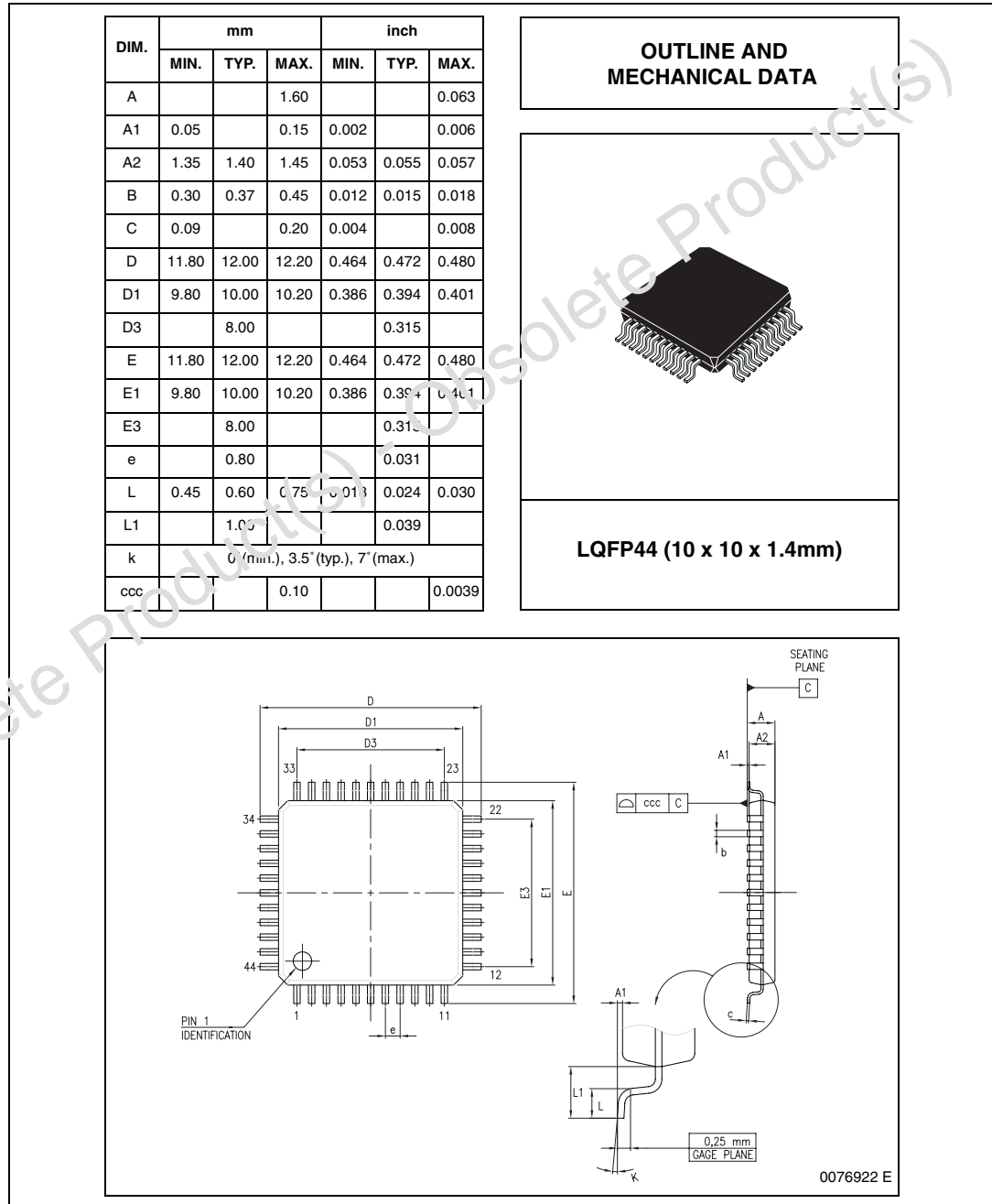


Obsolete Product(s)

# 10 Package information

In order to meet environmental requirements, ST offers these devices in ECOPACK® packages. These packages have a lead-free second level interconnect. The category of second level interconnect is marked on the package and on the inner box label, in compliance with JEDEC standard JESD97. The maximum ratings related to soldering conditions are also marked on the inner box label. ECOPACK is an ST trademark. ECOPACK specifications are available at: [www.st.com](http://www.st.com).

**Figure 17. LQFP44 (10x10) mechanical data & package dimensions**



## 11 Revision history

**Table 18. Document revision history**

| Date        | Revision | Changes  |
|-------------|----------|--|
| 21-Jun-2004 | 1        | Initial release.                                   |
| 22-Jun-2004 | 2        | Minor revision, content edit.                      |
| 9-Sep-2004  | 3        | Minor revision, content edit.                      |
| 15-Dec-2004 | 4        | Minor revision, content edit.                      |
| 17-Jan-2007 | 5        | Package changed, layout change, text modifications |

**Please Read Carefully:**

Information in this document is provided solely in connection with ST products. STMicroelectronics NV and its subsidiaries ("ST") reserve the right to make changes, corrections, modifications or improvements, to this document, and the products and services described herein at any time, without notice.

All ST products are sold pursuant to ST's terms and conditions of sale.

Purchasers are solely responsible for the choice, selection and use of the ST products and services described herein, and ST assumes no liability whatsoever relating to the choice, selection or use of the ST products and services described herein.

No license, express or implied, by estoppel or otherwise, to any intellectual property rights is granted under this document. If any part of this document refers to any third party products or services it shall not be deemed a license granted by ST for the use of such third party products or services, or any intellectual property contained therein or considered as a warranty covering the use in any manner whatsoever of such third party products or services or any intellectual property contained therein.

**UNLESS OTHERWISE SET FORTH IN ST'S TERMS AND CONDITIONS OF SALE ST DISCLAIMS ANY EXPRESS OR IMPLIED WARRANTY WITH RESPECT TO THE USE AND/OR SALE OF ST PRODUCTS INCLUDING WITHOUT LIMITATION IMPLIED WARRANTIES OF MERCHANTABILITY, FITNESS FOR A PARTICULAR PURPOSE (AND THEIR EQUIVALENTS UNDER THE LAWS OF ANY JURISDICTION), OR INFRINGEMENT OF ANY PATENT, COPYRIGHT OR OTHER INTELLECTUAL PROPERTY RIGHT.**

**UNLESS EXPRESSLY APPROVED IN WRITING BY AN AUTHORIZED ST REPRESENTATIVE, ST PRODUCTS ARE NOT RECOMMENDED, AUTHORIZED OR WARRANTED FOR USE IN MILITARY, AIR CRAFT, SPACE, LIFE SAVING, OR LIFE SUSTAINING APPLICATIONS, NOR IN PRODUCTS OR SYSTEMS WHERE FAILURE OR MALFUNCTION MAY RESULT IN PERSONAL INJURY, DEATH, OR SEVERE PROPERTY OR ENVIRONMENTAL DAMAGE. ST PRODUCTS WHICH ARE NOT SPECIFIED AS "AUTOMOTIVE GRADE" MAY ONLY BE USED IN AUTOMOTIVE APPLICATIONS AT USER'S OWN RISK.**

Resale of ST products with provisions different from the statements and/or technical features set forth in this document shall immediately void any warranty granted by ST for the ST product or service described herein and shall not create or extend in any manner whatsoever, any liability of ST.

ST and the ST logo are trademarks or registered trademarks of ST in various countries.

Information in this document supersedes and replaces all information previously supplied.

The ST logo is a registered trademark of STMicroelectronics. All other names are the property of their respective owners.

© 2007 STMicroelectronics - All rights reserved

STMicroelectronics group of companies

Australia - Belgium - Brazil - Canada - China - Czech Republic - Finland - France - Germany - Hong Kong - India - Israel - Italy - Japan - Malaysia - Malta - Morocco - Singapore - Spain - Sweden - Switzerland - United Kingdom - United States of America

[www.st.com](http://www.st.com)