

## 阅读申明

- 1.本站收集的数据手册和产品资料都来自互联网，版权归原作者所有。如读者和版权方有任何异议请及时告之，我们将妥善解决。
- 2.本站提供的中文数据手册是英文数据手册的中文翻译，其目的是协助用户阅读，该译文无法自动跟随原稿更新，同时也可能存在翻译上的不当。建议读者以英文原稿为参考以便获得更精准的信息。
- 3.本站提供的产品资料，来自厂商的技术支持或者使用者的心得体会等，其内容可能存在描述上的差异，建议读者做出适当判断。
- 4.如需与我们联系，请发邮件到marketing@iczoom.com，主题请标有“数据手册”字样。

## Read Statement

1. The datasheets and other product information on the site are all from network reference or other public materials, and the copyright belongs to the original author and original published source. If readers and copyright owners have any objections, please contact us and we will deal with it in a timely manner.
2. The Chinese datasheets provided on the website is a Chinese translation of the English datasheets. Its purpose is for reader's learning exchange only and do not involve commercial purposes. The translation cannot be automatically updated with the original manuscript, and there may also be improper translations. Readers are advised to use the English manuscript as a reference for more accurate information.
3. All product information provided on the website refer to solutions from manufacturers' technical support or users the contents may have differences in description, and readers are advised to take the original article as the standard.
4. If you have any questions, please contact us at marketing@iczoom.com and mark the subject with "Datasheets" .

# MAXIM

## Audio/Video Switch for Three SCART Connectors

### General Description

The MAX4399 audio/video switch is ideal for digital set-top box applications. The MAX4399 provides video and audio routing from the MPEG decoder source to the TV, VCR, and AUX SCART (peritelevision) connectors. In addition, the TV audio channel features clickless switching and programmable volume control from -56dB to +6dB in 2dB steps. The device can mix an auxiliary audio tone into the TV audio channel and can mix the stereo audio signal into a mono audio signal. The MAX4399 directly drives an external RF modulator with a composite video with blanking and sound (CVBS) signal created by an on-chip luma/chroma (Y/C) mixer and external RLC trap filter. The MAX4399 features a fast-mode I<sup>2</sup>C-compatible 2-wire interface allowing communication at data rates up to 400kbps. The MAX4399 operates with standard +5V and +12V single supplies and supports slow and fast switching.

All video and audio inputs are AC-coupled. The DC biases of all input and output signals are set to pre-defined levels. All video outputs, including the RF modulator, drive standard 150Ω loads. Red, green, and blue (RGB) outputs feature a programmable gain of +6dB ±1dB. All other video outputs have a fixed +6dB gain. The VCR and AUX audio output gains are programmable for -6dB, 0dB, and +6dB.

The MAX4399 is available in a compact 68-pin thin QFN package and is specified for the 0°C to +70°C commercial temperature range. The MAX4399 evaluation kit is available to help speed designs.

### Applications

Satellite Receivers  
Satellite Set-Top Boxes  
Cable Set-Top Boxes  
Terrestrial Set-Top Boxes  
Game Consoles  
TVs  
Digital Television (DTV)  
VCRs  
DVD Players  
DVD+R/W Players

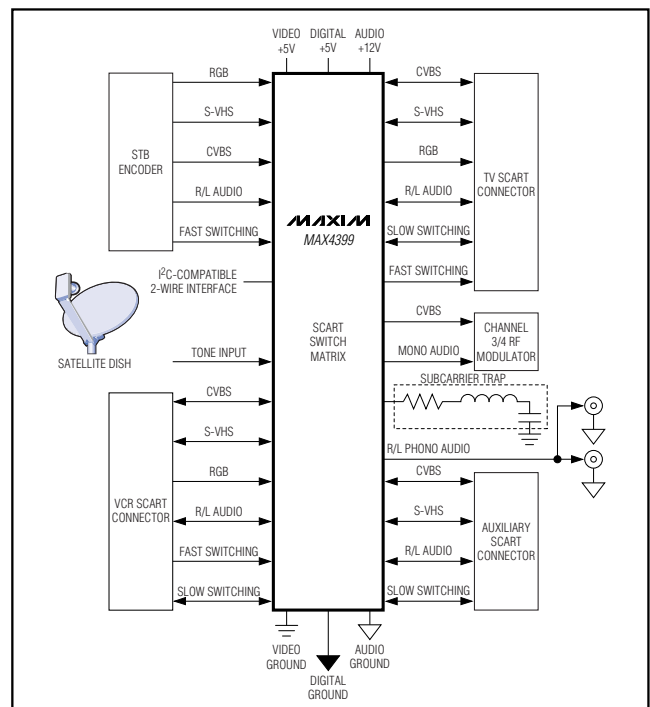
### Features

- ◆ Low -86dB Video Signal-to-Noise Ratio
- ◆ 150Ω Driver on All Video Outputs, Including the RF Modulator
- ◆ Full CVBS Loop-Through on AUX SCART
- ◆ Programmable Audio Gain Control of -56dB to +6dB (TV Audio Outputs)
- ◆ Clickless Audio Switching (TV Audio Outputs)
- ◆ Programmable Clamp or Bias on Red/Chroma Video Inputs
- ◆ Programmable Video Gain of +6dB, ±1dB on RGB Outputs
- ◆ +5V and +12V Standard Supply Voltages
- ◆ 27MHz -3dB Large-Signal Bandwidth on All Video Drivers
- ◆ Supports Three SCART Connectors

### Ordering Information

| PART       | TEMP RANGE   | PIN-PACKAGE | PKG CODE |
|------------|--------------|-------------|----------|
| MAX4399CTK | 0°C to +70°C | 68 Thin QFN | T6800-3  |

### Typical Operating Circuit



# Audio/Video Switch for Three SCART Connectors

## ABSOLUTE MAXIMUM RATINGS

### Voltages

|  |  |
|--|--|
| V <sub>VID</sub> to G <sub>VID</sub> .....                                 | -0.3V to +6V                                   |
| V <sub>12</sub> to G <sub>AUD</sub> .....                                  | -0.3V to +14V                                  |
| V <sub>DIG</sub> to G <sub>DIG</sub> .....                                 | -0.3V to +6V                                   |
| G <sub>AUD</sub> to G <sub>DIG</sub> .....                                 | -0.1V to +0.1V                                 |
| G <sub>VID</sub> to G <sub>DIG</sub> .....                                 | -0.1V to +0.1V                                 |
| G <sub>AUD</sub> to G <sub>VID</sub> .....                                 | -0.1V to +0.1V                                 |
| Video Inputs, Video Outputs, ENC_FS_IN, VCR_FS_IN,<br>VID_BIAS, TRAP ..... | -0.3V to (V <sub>V<sub>VID</sub></sub> + 0.3V) |
| V <sub>AUD</sub> to G <sub>AUD</sub> .....                                 | -0.3V to +9V                                   |
| Audio Inputs, Audio Outputs,<br>AUD_BIAS .....                             | -0.3V to (V <sub>V<sub>AUD</sub></sub> + 0.3V) |
| SDA, SCL, DEV_ADDR, INTERRUPT_OUT .....                                    | -0.3V to +6V                                   |
| AUX_SS, TV_SS, VCR_SS .....  | -0.3V to (V <sub>V<sub>12</sub></sub> + 0.3V)  |

### Currents

|                     |       |
|---------------------|-------|
| INTERRUPT_OUT ..... | +50mA |
| TRAP .....          | ±4mA  |

### Output Short Circuit

|   |                 |
|---|-----------------|
| Video Outputs and TV_FS_OUT to V <sub>VID</sub> ,<br>V <sub>DIG</sub> , G <sub>AUD</sub> , G <sub>VID</sub> , or G <sub>DIG</sub> .....                                       | Continuous      |
| Audio Outputs to V <sub>AUD</sub> , V <sub>VID</sub> , V <sub>DIG</sub> ,<br>G <sub>AUD</sub> , G <sub>VID</sub> , or G <sub>DIG</sub> .....                                  | Continuous      |
| AUX_SS, TV_SS, and VCR_SS to V <sub>12</sub> ,<br>V <sub>AUD</sub> , V <sub>VID</sub> , V <sub>DIG</sub> , G <sub>AUD</sub> ,<br>G <sub>VID</sub> , or G <sub>DIG</sub> ..... | Continuous      |
| Continuous Power Dissipation (T <sub>A</sub> = +70°C)<br>68-Pin Thin QFN (derate 41.7mW/°C<br>above +70°C) .....  | 3333.3mW        |
| Operating Temperature Range .....   | 0°C to +70°C    |
| Junction Temperature .....  | +150°C          |
| Storage Temperature Range .....   | -65°C to +150°C |
| Lead Temperature (soldering, 10s) .....   | +300°C          |

Stresses beyond those listed under "Absolute Maximum Ratings" may cause permanent damage to the device. These are stress ratings only, and functional operation of the device at these or any other conditions beyond those indicated in the operational sections of the specifications is not implied. Exposure to absolute maximum rating conditions for extended periods may affect device reliability.

## ELECTRICAL CHARACTERISTICS

(V<sub>V<sub>12</sub></sub> = 12V, V<sub>V<sub>VID</sub></sub> = 5V, V<sub>V<sub>DIG</sub></sub> = 5V, 0.47μF X5R capacitor in parallel with a 10μF aluminum electrolytic capacitor from V<sub>AUD</sub> to G<sub>AUD</sub>, no load, T<sub>A</sub> = 0°C to +70°C, unless otherwise noted. Typical values are at T<sub>A</sub> = +25°C.) (Note 1)

| PARAMETER                                 | SYMBOL | CONDITIONS   | MIN                 | TYP | MAX  | UNITS |    |
|---|--------|--|---------------------|-----|------|-------|----|
| <b>DC</b>                                 |        |  |                     |     |      |       |    |
| V <sub>12</sub> Supply Voltage Range      |        | Inferred from the slow switch output levels                                      | 11.4                | 12  | 12.6 | V     |    |
| V <sub>VID</sub> Supply Voltage Range     |        | Inferred from the output swing of the video outputs                              | 4.75                | 5   | 5.25 | V     |    |
| V <sub>DIG</sub> Supply Voltage Range     |        |  | 4.75                | 5   | 5.25 | V     |    |
| V <sub>12</sub> Quiescent Supply Current  |        |  |                     | 17  | 35   | mA    |    |
| V <sub>VID</sub> Quiescent Supply Current |        | All video output amplifiers are enabled, no load                                 |                     | 51  | 116  | mA    |    |
| V <sub>VID</sub> Standby Supply Current   |        | All video output amplifiers are in shutdown, and TV_FS_OUT driver is in shutdown |                     | 19  | 34   | mA    |    |
| V <sub>DIG</sub> Quiescent Supply Current |        |  |                     | 1   | 3    | mA    |    |
| <b>VIDEO</b>                              |        |  |                     |     |      |       |    |
| Voltage Gain                              |        | 1V <sub>P-P</sub> input  | CVBS and S-VHS      | 5.5 | 6    | 6.5   | dB |
|   |        |  | R, G, B, gain = 5dB | 4.5 | 5    | 5.5   |    |
|   |        |  | R, G, B, gain = 6dB | 5.5 | 6    | 6.5   |    |
|   |        |  | R, G, B, gain = 7dB | 6.5 | 7    | 7.5   |    |
| Small-Signal Bandwidth, -3dB              |        | 100mV <sub>P-P</sub> input, gain = 6dB   | CVBS and S-VHS      |     | 110  | MHz   |    |
|   |        |  | R, G, B             |     | 110  |       |    |
| Large-Signal Bandwidth, -3dB              |        | 1V <sub>P-P</sub> input, gain = 6dB, T <sub>A</sub> = +25°C (Note 2)             | CVBS and S-VHS      | 15  | 27   | MHz   |    |
|   |        |  | R, G, B             |     | 30   |       |    |

# Audio/Video Switch for Three SCART Connectors

MAX4399

## ELECTRICAL CHARACTERISTICS (continued)

( $V_{V12} = 12V$ ,  $V_{V\_VID} = 5V$ ,  $V_{V\_DIG} = 5V$ , 0.47 $\mu$ F X5R capacitor in parallel with a 10 $\mu$ F aluminum electrolytic capacitor from  $V_{\_AUD}$  to  $G_{\_AUD}$ , no load,  $T_A = 0^\circ C$  to  $+70^\circ C$ , unless otherwise noted. Typical values are at  $T_A = +25^\circ C$ .) (Note 1)

| PARAMETER                      | SYMBOL | CONDITIONS  |                          | MIN   | TYP   | MAX   | UNITS      |
|--------------------------------|--------|---|--------------------------|-------|-------|-------|------------|
| Slew Rate                      | SR     | 1V <sub>p-p</sub> input, gain = 6dB   |                          |       | 170   |       | V/ $\mu$ s |
| Gain Matching                  |        | 1V <sub>p-p</sub> input, between RGB or Y-C   |                          | -0.5  | 0     | +0.5  | dB         |
| Differential Gain              | DG     | 5-step modulated staircase  | RF_CVBS_OUT              |       | 0.03  |       | %          |
|                                |        |   | All other video outputs  |       | 0.13  |       |            |
| Differential Phase             | DP     | 5-step modulated staircase  | RF_CVBS_OUT              |       | 0.09  |       | degrees    |
|                                |        |   | All other video outputs  |       | 0.36  |       |            |
| Signal-to-Noise Ratio          | SNR    | 1V <sub>p-p</sub> input   |                          |       | -86   |       | dB         |
| Group Delay                    |        | f = 0.1MHz to 6MHz  | RF_CVBS_OUT              |       | 5     |       | ns         |
|                                |        |   | All other video outputs  |       | 3     |       |            |
| Bottom Level Clamp             |        | RGB, composite and luma, no signal, no load   |                          |       | 1.21  |       | V          |
| Chroma Bias                    |        | Chroma only, no signal, no load   |                          |       | 1.88  |       | V          |
| Sync Crush                     |        | Percentage reduction in sync pulse (0.3V <sub>p-p</sub> ); inferred from input clamping current with a 0.1 $\mu$ F coupling capacitor |                          | -2    | 0     | +2    | %          |
| Power-Supply Rejection Ratio   | PSRR   | f = 100kHz, 0.5V <sub>p-p</sub>   |                          |       | 60    |       | dB         |
| Input Impedance                |        | CVBS, Y, or RGB video input   |                          |       | 4     |       | M $\Omega$ |
|                                |        | Chroma video input  |                          |       | 11    |       | k $\Omega$ |
| Input Clamp Current            |        | $V_{IN} = 1.75V$  |                          | 2.5   | 4.2   | 8.0   | $\mu$ A    |
| Output Bias Voltage            |        | No signal, no load  | RGB, composite, and luma |       | 1.05  |       | V          |
|                                |        |   | Chroma                   |       | 2.24  |       |            |
| Pulldown Resistance            |        | VCR_R/C_OUT, AUX_R/C_OUT, TV_R/C_OUT  |                          |       | 10    |       | $\Omega$   |
| Crosstalk                      |        | f = 4.43MHz, 1V <sub>p-p</sub> input, between any two active inputs   |                          |       | -63   |       | dB         |
| Mute Suppression               |        | f = 4.43MHz, 1V <sub>p-p</sub> input, on one input  |                          |       | -65   |       | dB         |
| <b>AUDIO</b>                   |        |   |                          |       |       |       |            |
| $V_{\_AUD}$ Voltage            |        | Generated by internal linear regulator  |                          |       | 8.1   |       | V          |
| Voltage Gain                   |        | 1.414V <sub>p-p</sub> input, gain = 0dB   |                          | -0.25 | 0     | +0.25 | dB         |
| Gain Matching Between Channels |        | 1.414V <sub>p-p</sub> input, gain = 0dB   |                          | -0.5  | 0     | +0.5  | dB         |
| Gain Flatness                  |        | f = 20Hz to 20kHz, 0.5V <sub>RMS</sub> input, gain = 0dB  |                          |       | 0.005 |       | dB         |
| Frequency Bandwidth            |        | 0.5V <sub>RMS</sub> input; frequency where output is -3dB with 1kHz serving as 0dB  |                          |       | 210   |       | kHz        |

# Audio/Video Switch for Three SCART Connectors

## ELECTRICAL CHARACTERISTICS (continued)

( $V_{V12} = 12V$ ,  $V_{V\_VID} = 5V$ ,  $V_{V\_DIG} = 5V$ , 0.47 $\mu F$  X5R capacitor in parallel with a 10 $\mu F$  aluminum electrolytic capacitor from  $V_{\_AUD}$  to  $G_{\_AUD}$ , no load,  $T_A = 0^\circ C$  to  $+70^\circ C$ , unless otherwise noted. Typical values are at  $T_A = +25^\circ C$ .) (Note 1)

| PARAMETER                                 | SYMBOL       | CONDITIONS   | MIN   | TYP           | MAX | UNITS     |    |
|---|--------------|--|---|---------------|-----|-----------|----|
| Input DC Level                            |              | Gain = 0dB   |   | $V_{\_AUD}/2$ |     | V         |    |
| Input Signal Amplitude                    |              | Inferred through total harmonic distortion specification, $f = 1kHz$ |   | 2             |     | $V_{RMS}$ |    |
| Input Resistance                          |              |  |   | 100           |     | $k\Omega$ |    |
| Output DC Level                           |              |  |   | $V_{\_AUD}/2$ |     | V         |    |
| Signal-to-Noise Ratio                     | SNR          | $f = 1.0kHz$ , $1V_{RMS}$ , gain = 0dB, 20Hz to 20kHz                |   | 105           |     | dB        |    |
| Total Harmonic Distortion                 | THD          | $R_{LOAD} = 10k\Omega$   | $f = 1.0kHz$ , $0.5V_{RMS}$                               | 0.002         |     | %         |    |
|   |              |  | $f = 1.0kHz$ , $2V_{RMS}$                                 | 0.005         |     |           |    |
| Output Impedance                          |              |  |   | 0.5           |     | $\Omega$  |    |
| Volume Attenuation Step                   |              | 1.414 $V_{P-P}$ input  | TV audio, volume control range extends from -56dB to +6dB | 1.5           | 2   | 2.5       | dB |
|   |              |  | VCR, AUX audio  | 5.5           | 6   | 6.5       |    |
| Power-Supply Rejection Ratio              | PSRR         | $f = 1kHz$ , $0.5V_{P-P}$  |   | 110           |     | dB        |    |
| Mute Suppression                          |              | $f = 1kHz$ , $0.5V_{RMS}$ input                                      |   | 105           |     | dB        |    |
| Audio Limiter Level                       |              | $f = 1kHz$ , $2.5V_{RMS}$ input                                      |   | 6.7           |     | $V_{P-P}$ |    |
| Crosstalk                                 |              | $f = 1kHz$ , $0.5V_{RMS}$ , gain = 0dB                               |   | 105           |     | dB        |    |
| <b>DIGITAL INTERFACE: SDA and SCL</b>     |              |  |   |               |     |           |    |
| Low-Level Input Voltage                   | $V_{IL}$     |  |   |               | 0.8 | V         |    |
| High-Level Input Voltage                  | $V_{IH}$     |  | 2.6   |               |     | V         |    |
| Hysteresis of Schmitt Trigger Input       |              |  |   | 0.2           |     | V         |    |
| SDA Low-Level Output Voltage              | $V_{OL}$     | $I_{SINK} = 3mA$   | 0   |               | 0.4 | V         |    |
|   |              | $I_{SINK} = 6mA$   | 0   |               | 0.6 |           |    |
| Output Fall Time for SDA Line             |              | 400pF bus load   |   |               | 250 | ns        |    |
| Spike Suppression                         |              |  |   | 50            |     | ns        |    |
| Input Current                             |              | $V_{IL} = 0V$ , $V_{IH} = 5V$  | -10   |               | +10 | $\mu A$   |    |
| Input Capacitance                         |              |  |   | 5             |     | pF        |    |
| SCL Clock Frequency                       |              |  | 0   |               | 400 | kHz       |    |
| Hold Time                                 | $t_{HD,STA}$ | Repeated start condition   | 0.6   |               |     | $\mu s$   |    |
| Low Period of SCL Clock                   | $t_{LOW}$    |  | 1.3   |               |     | $\mu s$   |    |
| High Period of SCL Clock                  | $t_{HIGH}$   |  | 0.6   |               |     | $\mu s$   |    |
| Setup Time for a Repeated Start Condition | $t_{SU,STA}$ |  | 0.6   |               |     | $\mu s$   |    |
| Data Hold Time                            | $t_{HD,DAT}$ |  | 0   |               | 0.9 | $\mu s$   |    |
| Data Setup Time                           | $t_{SU,DAT}$ |  | 100   |               |     | ns        |    |
| Maximum Receive SCL/SDA Rise Time         | $t_R$        | (Note 3)   |   | 300           |     | ns        |    |

# Audio/Video Switch for Three SCART Connectors

MAX4399

## ELECTRICAL CHARACTERISTICS (continued)

( $V_{V12} = 12V$ ,  $V_{V\_VID} = 5V$ ,  $V_{V\_DIG} = 5V$ , 0.47 $\mu$ F X5R capacitor in parallel with a 10 $\mu$ F aluminum electrolytic capacitor from V\_AUD to G\_AUD, no load,  $T_A = 0^{\circ}C$  to  $+70^{\circ}C$ , unless otherwise noted. Typical values are at  $T_A = +25^{\circ}C$ .) (Note 1)

| PARAMETER                                  | SYMBOL       | CONDITIONS   | MIN | TYP               | MAX  | UNITS   |
|--|--------------|--|-----|-------------------|------|---------|
| Minimum Receive SCL/SDA Rise Time (Note 3) | $t_R$        |  |     | 20 +<br>0.1 $C_B$ |      | ns      |
| Maximum Receive SCL/SDA Fall Time (Note 3) | $t_F$        |  |     | 300               |      | ns      |
| Minimum Receive SCL/SDA Fall Time (Note 3) | $t_F$        |  |     | 20 +<br>0.1 $C_B$ |      | ns      |
| Setup Time for Stop Condition              | $t_{SU,STO}$ |  | 0.6 |                   |      | $\mu$ s |
| Bus Free Time Between a Stop and Start     | $t_{BUF}$    |  | 1.3 |                   |      | $\mu$ s |
| <b>OTHER DIGITAL PINS</b>                  |              |  |     |                   |      |         |
| DEV_ADDR Low Level                         |              |  |     |                   | 0.8  | V       |
| DEV_ADDR High Level                        |              |  | 2.6 |                   |      | V       |
| INTERRUPT_OUT Low Voltage                  |              | INTERRUPT_OUT sinking 1mA  |     | 0.15              | 0.4  | V       |
| INTERRUPT_OUT High Leakage Current         |              | $V_{INTERRUPT\_OUT} = 5V$  |     | 1                 | 10   | $\mu$ A |
| <b>SLOW SWITCHING</b>                      |              |  |     |                   |      |         |
| Input Low Level                            |              |  | 0   |                   | 2    | V       |
| Input Medium Level                         |              |  | 4.5 |                   | 7.0  | V       |
| Input High Level                           |              |  | 9.5 |                   | 12.0 | V       |
| Input Current                              |              |  |     | 50                | 100  | $\mu$ A |
| Output Low Level                           |              | $R_{LOAD} = 10k\Omega$ to ground   | 0   |                   | 1.5  | V       |
| Output Medium Level (External 16/9)        |              | $R_{LOAD} = 10k\Omega$ to ground   | 5.0 |                   | 6.5  | V       |
| Output High Level (External 4/3)           |              | $R_{LOAD} = 10k\Omega$ to ground   | 10  |                   | 12   | V       |
| <b>FAST SWITCHING</b>                      |              |  |     |                   |      |         |
| Input Low Level                            |              |  | 0   |                   | 0.4  | V       |
| Input High Level                           |              |  | 1   |                   | 3    | V       |
| Input Current                              |              |  |     | 1                 | 10   | $\mu$ A |
| Output Low Level                           |              | $I_{SINK} = 0.5mA$   | 0   | 0.01              | 0.2  | V       |
| Output High Level                          |              | $V_{VID} - V_{OH}$ , $I_{SOURCE} = 20mA$   |     | 0.75              | 2    | V       |
| Fast-Switching Output to RGB Skew          |              | Difference in propagation delays of fast-switching signal and RGB signals; measured from 50% input transition to 50% output transition |     | 30                |      | ns      |
| Fast-Switching Output Rise Time            |              | $R_{LOAD} = 150\Omega$ to ground   |     | 30                |      | ns      |
| Fast-Switching Output Fall Time            |              | $R_{LOAD} = 150\Omega$ to ground   |     | 30                |      | ns      |

**Note 1:** All devices are 100% tested at  $T_A = +25^{\circ}C$ . All temperature limits are guaranteed by design.

**Note 2:** Parameter guaranteed by design.

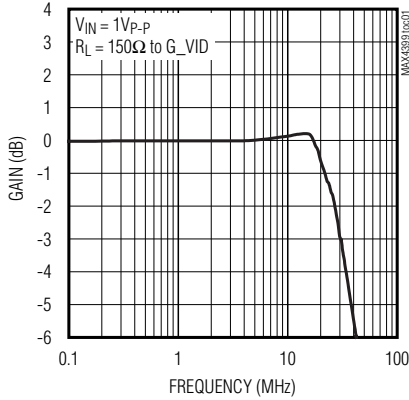
**Note 3:**  $C_B$  = total capacitance of one bus line in pF. Tested with  $C_B = 400pF$ .

# Audio/Video Switch for Three SCART Connectors

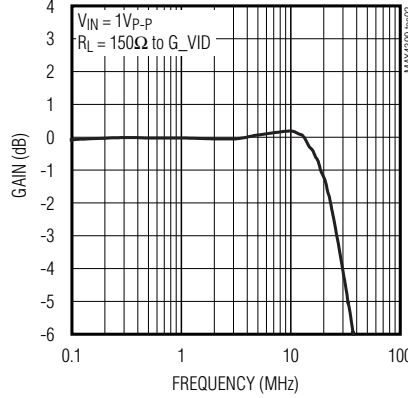
## Typical Operating Characteristics

( $V_{V12} = 12V$ ,  $V_{V\_VID} = 5V$ ,  $V_{V\_DIG} = 5V$ , 0.47 $\mu F$  ceramic X5R capacitor in parallel with a 10 $\mu F$  aluminum electrolytic capacitor from  $V_{AUD}$  to  $G_{AUD}$ , no load,  $T_A = +25^\circ C$ , unless otherwise noted.)

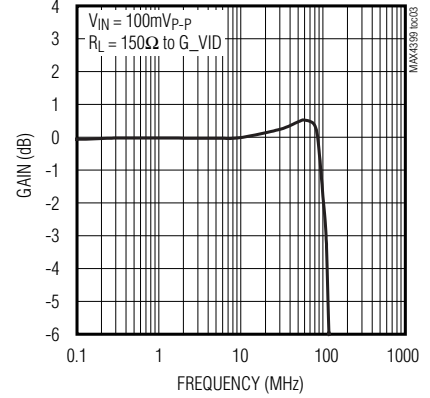
**RGB VIDEO LARGE-SIGNAL BANDWIDTH vs. FREQUENCY**



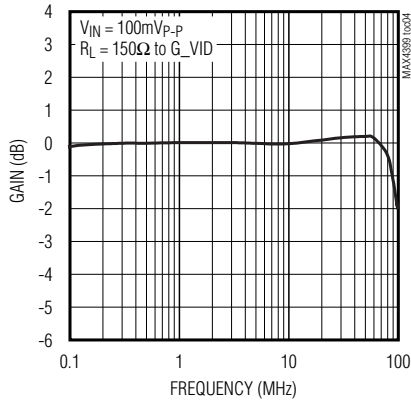
**Y VIDEO LARGE-SIGNAL BANDWIDTH vs. FREQUENCY**



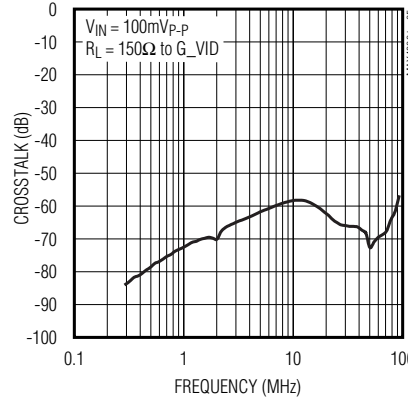
**RGB VIDEO SMALL-SIGNAL BANDWIDTH vs. FREQUENCY**



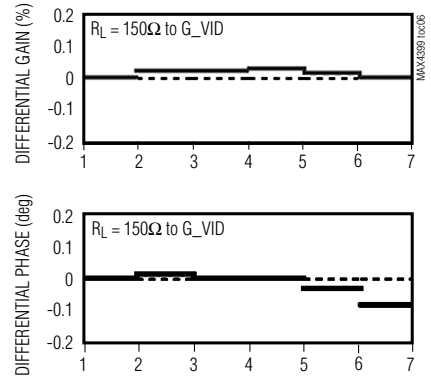
**Y VIDEO SMALL-SIGNAL BANDWIDTH vs. FREQUENCY**



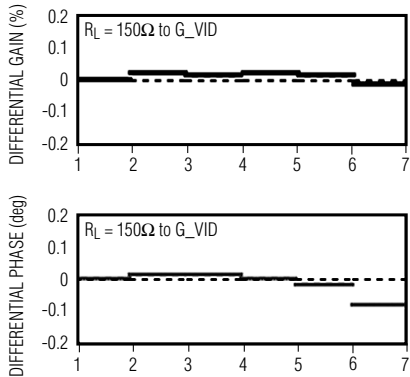
**VIDEO CROSSTALK vs. FREQUENCY**



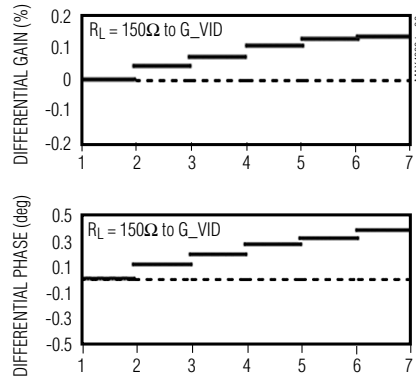
**RF\_CVBS\_OUT (WITH TRAP FILTER)**



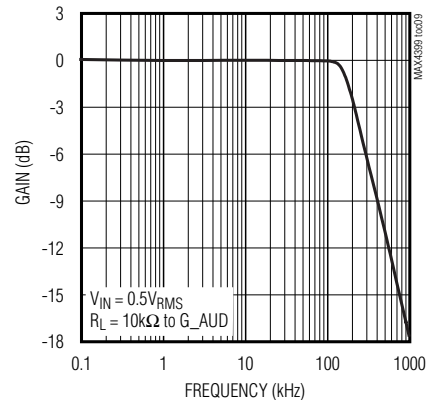
**RF\_CVBS\_OUT (WITHOUT TRAP FILTER)**



**TV\_Y/CVBS\_OUT**



**AUDIO LARGE-SIGNAL BANDWIDTH vs. FREQUENCY**

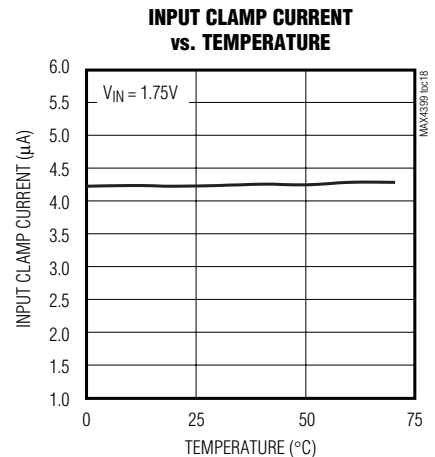
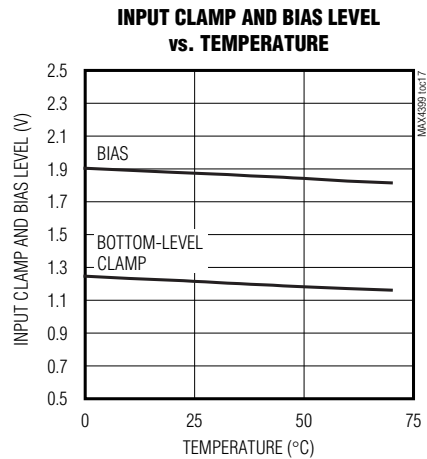
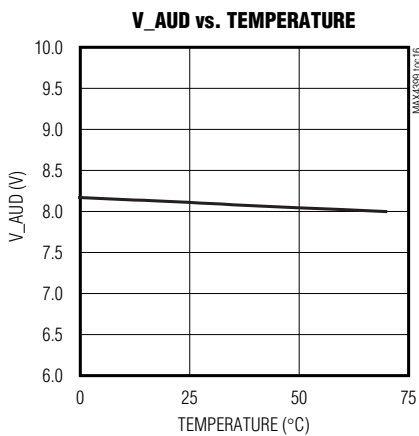
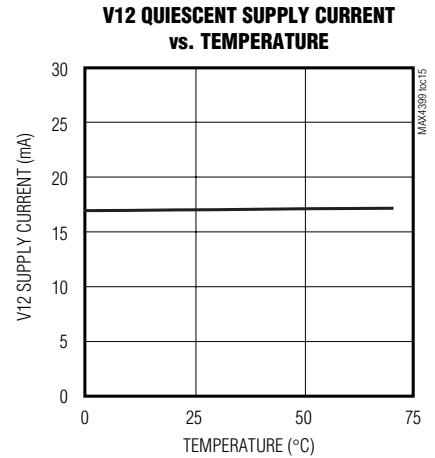
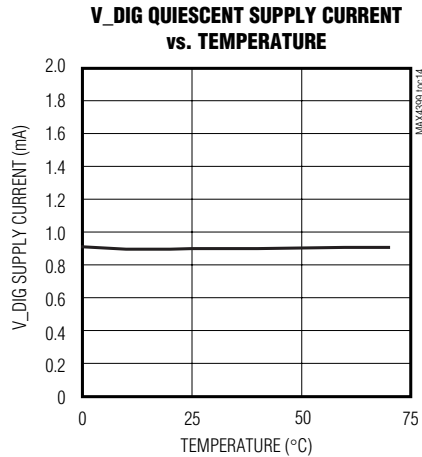
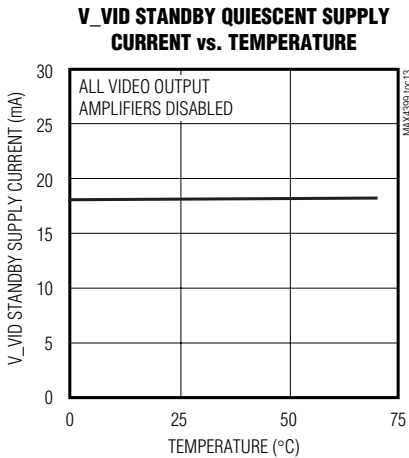
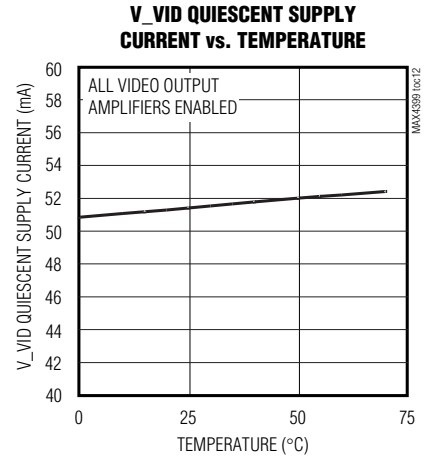
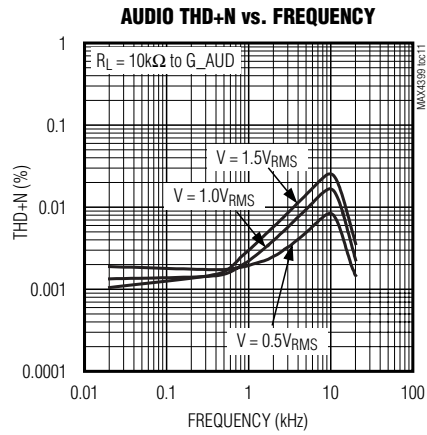
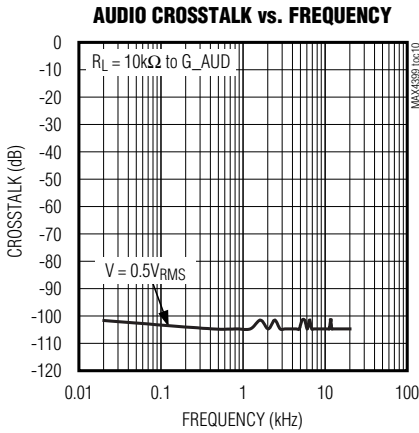


# Audio/Video Switch for Three SCART Connectors

MAX4399

## Typical Operating Characteristics (continued)

( $V_{V12} = 12V$ ,  $V_{V\_VID} = 5V$ ,  $V_{V\_DIG} = 5V$ , 0.47 $\mu F$  ceramic X5R capacitor in parallel with a 10 $\mu F$  aluminum electrolytic capacitor from  $V\_AUD$  to  $G\_AUD$ , no load,  $T_A = +25^\circ C$ , unless otherwise noted.)

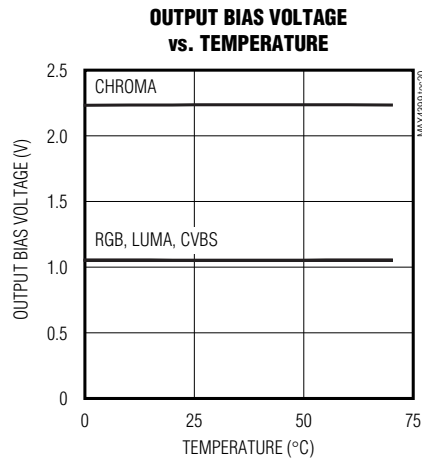
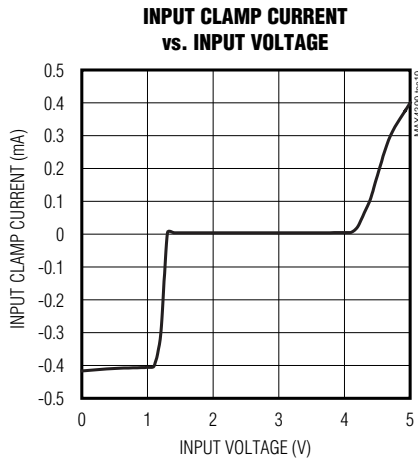




# Audio/Video Switch for Three SCART Connectors

## Typical Operating Characteristics (continued)

( $V_{V12} = 12V$ ,  $V_{V\_VID} = 5V$ ,  $V_{V\_DIG} = 5V$ , 0.47 $\mu F$  ceramic X5R capacitor in parallel with a 10 $\mu F$  aluminum electrolytic capacitor from  $V\_AUD$  to  $G\_AUD$ , no load,  $T_A = +25^\circ C$ , unless otherwise noted.)



## Pin Description

| PIN        | NAME          | FUNCTION  |
|------------|---------------|---|
| 1          | V_DIG         | Digital Supply Voltage. Connect to 5V.  |
| 2          | DEV_ADDR      | Device Address Set Input. Connect to G_DIG to set write and read addresses of 94h and 95h, respectively. Connect to V_DIG to set write and read addresses of 96h and 97h, respectively.   |
| 3          | SDA           | Bidirectional Data I/O. I <sup>2</sup> C-compatible, 2-wire interface data input/output. Output is open drain.  |
| 4          | SCL           | Clock Input. I <sup>2</sup> C-compatible, 2-wire interface clock.   |
| 5          | INTERRUPT_OUT | Interrupt Output. INTERRUPT_OUT is an open-drain output that goes high impedance to indicate a change in the slow switch lines, AUX_SS, TV_SS, or VCR_SS.   |
| 6          | G_DIG         | Digital Ground  |
| 7          | ENC_L_IN      | Digital Encoder Left-Channel Audio Input  |
| 8          | ST_AUX_IN     | Satellite Dish Tone Input   |
| 9          | ENC_R_IN      | Digital Encoder Right-Channel Audio Input   |
| 10         | AUD_BIAS      | Audio Input Bias Voltage. Bypass AUD_BIAS with a 10 $\mu F$ capacitor and a 0.1 $\mu F$ capacitor to G_AUD.   |
| 11, 22, 30 | V_AUD         | Audio Supply Voltage. Connect all V_AUD together. An on-board linear regulator creates the +8V audio supply voltage from V12. Bypass pin 30 with a 10 $\mu F$ aluminum electrolytic capacitor in parallel with a 0.47 $\mu F$ low-ESR ceramic capacitor to audio ground, and bypass pins 11 and 22 with 0.1 $\mu F$ capacitors to audio ground. |
| 12         | AUX_L_IN      | AUX SCART Left-Channel Audio Input  |
| 13         | AUX_R_IN      | AUX SCART Right-Channel Audio Input   |
| 14         | VCR_R_IN      | VCR SCART Right-Channel Audio Input   |
| 15         | VCR_L_IN      | VCR SCART Left-Channel Audio Input  |
| 16         | TV_R_IN       | TV SCART Right-Channel Audio Input  |

# Audio/Video Switch for Three SCART Connectors

## Pin Description (continued)

| PIN        | NAME           | FUNCTION  |
|------------|----------------|---|
| 17         | TV_L_IN        | TV SCART Left-Channel Audio Input   |
| 18, 26     | G_AUD          | Audio Ground  |
| 19         | AUX_L_OUT      | AUX SCART Left-Channel Audio Output   |
| 20         | AUX_R_OUT      | AUX SCART Right-Channel Audio Output  |
| 21         | VCR_R_OUT      | VCR SCART Right-Channel Audio Output  |
| 23         | VCR_L_OUT      | VCR SCART Left-Channel Audio Output   |
| 24         | PHONO_R_OUT    | Hi-Fi Right-Channel Audio Output  |
| 25         | PHONO_L_OUT    | Hi-Fi Left-Channel Audio Output   |
| 27         | RF_MONO_OUT    | RF Modulator Mono Audio Output  |
| 28         | TV_L_OUT       | TV SCART Left-Channel Audio Output  |
| 29         | TV_R_OUT       | TV SCART Right-Channel Audio Output   |
| 31         | V12            | +12V Supply. Bypass V12 with a 10 $\mu$ F capacitor in parallel with a 0.1 $\mu$ F capacitor to ground.   |
| 32         | AUX_SS         | AUX SCART Bidirectional Slow-Switch Signal  |
| 33         | TV_SS          | TV SCART Bidirectional Slow-Switch Signal   |
| 34         | VCR_SS         | VCR SCART Bidirectional Slow-Switch Signal  |
| 35         | TRAP           | Trap Filter. Connect a series RLC trap filter to eliminate the color subcarrier frequency (4.43MHz) from the luma signal. The filter prevents cross-mixing of the color subcarriers when the luma and chroma signals are added together to form a composite signal. Internally biased at +0.5V. |
| 36, 42, 50 | G_VID          | Video Ground  |
| 37         | TV_FS_OUT      | TV SCART Fast-Switching Output. This signal is used to switch the TV to its RGB inputs for on-screen display purposes.  |
| 38, 46, 61 | V_VID          | Video Supply. Bypass each V_VID with a 0.01 $\mu$ F capacitor to V_GND. Connect a 200nH ferrite bead from V_VID to a 5V supply.   |
| 39         | RF_CVBS_OUT    | RF Modulator Composite Video Output. Internally biased at 1.0V.   |
| 40         | TV_Y/CVBS_OUT  | TV SCART Luma/Composite Video Output. Internally biased at 1.0V.  |
| 41         | TV_R/C_OUT     | TV SCART Red/Chroma Video Output. Internally biased at 1.0V for red video signal and 2.1V for chroma video signal.  |
| 43         | TV_G_OUT       | TV SCART Green Video Output. Internally biased at 1.0V.   |
| 44         | TV_B_OUT       | TV SCART Blue Video Output. Internally biased at 1.0V.  |
| 45         | AUX_R/C_OUT    | AUX SCART Red/Chroma Video Output. Internally biased at 1.0V for red video signal and 2.1V for chroma video signal.   |
| 47         | AUX_Y/CVBS_OUT | AUX SCART Luma/Composite Video Output. Internally biased at 1.0V.   |
| 48         | VCR_Y/CVBS_OUT | VCR SCART Luma/Composite Video Output. Internally biased at 1.0V.   |
| 49         | VCR_R/C_OUT    | VCR SCART Red/Chroma Video Output. Internally biased at 1.0V for red video signal and 2.1V for chroma video signal.   |
| 51         | VID_BIAS       | Video Bias Voltage Output. VID_BIAS sets video bias level for chroma signals. Bypass VID_BIAS with a low-ESR 0.1 $\mu$ F capacitor to G_VID.  |
| 52         | TV_R/C_IN      | TV SCART Red/Chroma Video Input. Internally biased at 1.22V for red, or 1.8V for chroma.  |

MAX4399

# Audio/Video Switch for Three SCART Connectors

## Pin Description (continued)

| PIN | NAME          | FUNCTION  |
|-----|---------------|---|
| 53  | TV_Y/CVBS_IN  | TV SCART Luma/Composite Video Input. Internally biased at 1.22V.                                |
| 54  | AUX_R/C_IN    | AUX SCART Red/Chroma Video Input. Internally biased at 1.22V for red, or 1.8V for chroma.       |
| 55  | AUX_Y/CVBS_IN | AUX SCART Luma/Composite Video. Internally biased at 1.22V.                                     |
| 56  | VCR_Y/CVBS_IN | VCR SCART Luma/Composite Video Input. Internally biased at 1.22V.                               |
| 57  | VCR_FS_IN     | VCR SCART Fast-Switching Input  |
| 58  | VCR_R/C_IN    | VCR SCART Red/Chroma Video Input. Internally biased at 1.22V for red, or 1.8V for chroma.       |
| 59  | VCR_G_IN      | VCR SCART Green Video Input. Internally biased at 1.22V.  |
| 60  | VCR_B_IN      | VCR SCART Blue Video Input. Internally biased at 1.22V.   |
| 62  | ENC_Y/CVBS_IN | Digital Encoder Luma/Composite Video Input. Internally biased at 1.22V.                         |
| 63  | ENC_R/C_IN    | Digital Encoder Red/Chroma Video Input. Internally biased at 1.22V for red, or 1.8V for chroma. |
| 64  | ENC_G_IN      | Digital Encoder Green Video Input. Internally biased at 1.22V.                                  |
| 65  | ENC_B_IN      | Digital Encoder Blue Video Input. Internally biased at 1.22V.                                   |
| 66  | ENC_Y_IN      | Digital Encoder Luma Video Input. Internally biased at 1.22V.                                   |
| 67  | ENC_C_IN      | Digital Encoder Chroma Video Input. Internally biased at 1.8V.                                  |
| 68  | ENC_FS_IN     | Digital Encoder Fast-Switching Input  |

### Detailed Description

The MAX4399 audio/video switch matrix connects audio and video signals between different ports. In the case of a set-top box, the ports consist of the MPEG decoder and three SCART connectors. For DVD+RW recorders and some televisions, the ports consist of the main board, front panel, tuner, and two SCART connectors.

The video section consists of input buffers, a crosspoint switch, and output drivers that can be disabled. There is also a mixer, which creates a composite video signal from S-video. The video inputs can be set in either clamp or bias mode. The red/chroma outputs have pull-downs that connect the outputs to video ground as described in the *Video Inputs* section.

The audio section features input buffers, a crosspoint switch, and output drivers. The TV audio path has volume control from -56dB to +6dB in 2dB steps. The VCR and AUX audio paths have volume control from -6dB to +6dB in 6dB steps. The MAX4399 can be configured to switch inputs during a zero crossing to reduce clicks. The MAX4399 can also switch volume levels during a zero crossing to reduce zipper noise. The audio outputs can operate in different modes. For instance, left and right audio channels can be swapped (see the *Audio Outputs* section).

The MAX4399 has two fast-switching inputs and one fast-switching output. Fast switching is used for creating on-screen displays by switching between the CVBS and RGB signals. Under I<sup>2</sup>C-compatible control, the fast-switching output can follow either of the fast-switching inputs or be set high or low.

The MAX4399 features three slow-switching input/outputs to support slow switching, which sets the screen aspect ratio or video source of the display device. The slow switching relies on tri-level logic in which the levels are 0V, 6V, and 12V. The status of the slow-switching input is continuously read and stored in register 0Eh. If INTERRUPT\_OUT is enabled, then INTERRUPT\_OUT changes to a high-impedance state if any of the slow-switching inputs change logic levels. The slow-switching outputs can be set to a logic level or high impedance by writing to registers 07h, 09h, or 0Bh.

The MAX4399 can be configured through an I<sup>2</sup>C-compatible interface. DEV\_ADDR sets the I<sup>2</sup>C-compatible address.

### SCART Video Switching

The MAX4399 triple SCART audio/video switch includes multiplexed video amplifiers and a Y-C mixer-driver with a trap filter to drive an RF modulator. The MAX4399 switches video from an MPEG decoder output and TV, VCR, and AUX SCART connectors.



# Audio/Video Switch for Three SCART Connectors

from the Y and C signals to drive the legacy RF\_CVBS\_OUT output. The circuit is shown as a summing point with bias in Figure 2. The MAX4399 sums Y and C to get CVBS, and the bias provides the DC levels for offsetting the chroma signal. Again, loop-through is not possible with S-VHS because the chroma SCART pin is used for both input and output.

The MAX4399 supports the CVBS format, with inputs from the VCR, MPEG decoder, TV, and auxiliary device. Full loop-through is possible to all devices except the MPEG decoder because the SCART connector has separate input and output pins for the CVBS format.

## Slow Switching

The MAX4399 supports the tri-level slow switching of IEC 933-1, Amendment 1, which selects the aspect ratio for the display device. Under I<sup>2</sup>C-compatible control, the MAX4399 sets the slow-switching output levels. Table 1 shows the valid output levels of the slow-switching signal and the corresponding operating modes of the display device.

The slow-switching SCART pins are bidirectional. The MAX4399 can set the slow-switch output drivers to high-impedance mode to receive signals. When enabled, INTERRUPT\_OUT becomes high impedance if the voltage level changes on TV\_SS, VCR\_SS, or AUX\_SS.

The VCR or MPEG decoder outputs a fast-switching signal to the display device. The fast-switching signal can also be set to a constant high or low through the 2-wire interface. The pass-through delay from VCR to TV or MPEG decoder to TV matches that of the RGB signals facilitating proper OSD insertion.

## Video Outputs

The DC level at the video outputs is controlled so coupling capacitors are not required, and all of the video outputs are capable of driving a 150Ω, back-terminated coax load directly with respect to ground. Since some televisions and VCRs use the horizontal sync height for automatic gain control, the MAX4399 accurately reproduces the sync height to within ±2%.

## Y/C Mixer and Trap Filter

The MAX4399 includes an on-chip mixer to produce CVBS from Y and C. The Y signal input to the mixer has an external trap filter connection, TRAP, to eliminate the color subcarrier frequency (4.43MHz), preventing cross-mixing of the subcarriers in the mixer. TRAP is internally biased at 0.5V. Connect a series RLC filter to G\_VID, or leave TRAP unconnected if not used.

Table 1. Slow Switch Modes

| SLOW-SWITCHING SIGNAL VOLTAGE (V) | MODE  |
|-----------------------------------|---|
| 0 to 2                            | Display device uses an internal source such as a built-in tuner to provide a video signal             |
| 4.5 to 7                          | Display device uses a video signal from the SCART connector and sets the display to 16:9 aspect ratio |
| 9.5 to 12.6                       | Display device uses a signal from a SCART connector and sets the display to 4:3 aspect ratio          |

## SCART Audio Switching

### Audio Inputs

The audio block has four stereo audio inputs from the TV, VCR, and AUX SCART connectors, plus the MPEG decoder. Additionally, the MAX4399 provides a satellite tone input. Each input has a 100kΩ resistor connected to an internally generated voltage equal to 0.5 x V\_AUD. There are three main sections—the TV channel, the VCR channel, and the AUX channel.

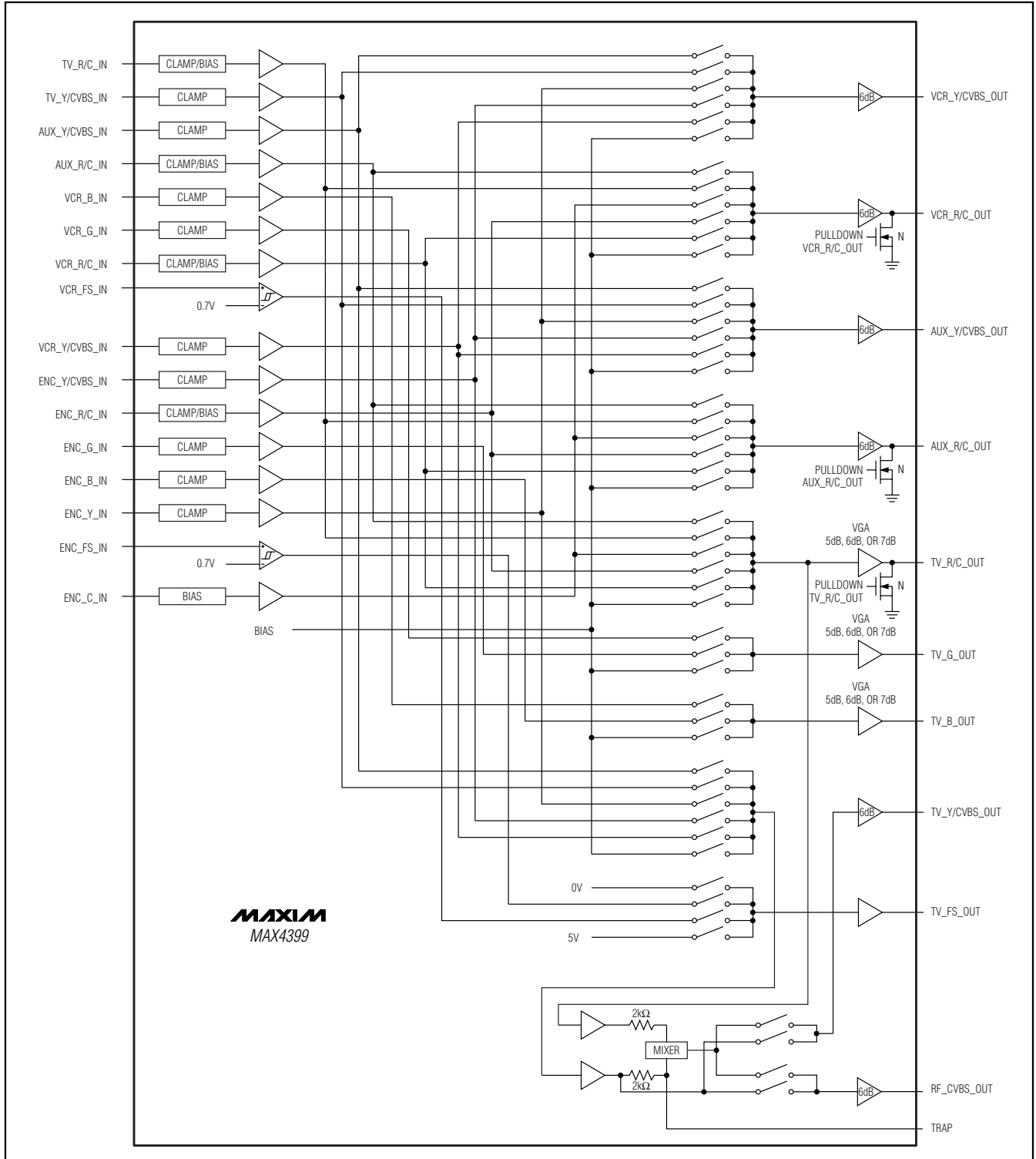
### Audio Outputs

Each channel has a stereo output and the TV channel has an additional phono output and a mono output. The phono outputs always follow the TV audio input selection. The mono output, a mix of the TV right and left channels, drives the channel 3/4 RF modulator. The three stereo outputs can be configured to normal mode, swap mode, mono, both channels to right input, and both channels to left input. The latter two modes are useful if the left audio channel carries one language and the right audio channel carries another language. The phono output is ideal for connection to a hi-fi, and carries the same signals as the TV output when switched to normal mode.

The mono mixer, a resistor summer, attenuates the amplitude of each of the two signals by 6dB. The 3dB gain block, which follows the mono mixer (Figures 3 and 4), is a compromise between a 0dB gain block and a 6dB gain block. If the left and right audio channels were completely uncorrelated, then a 6dB gain block could be used. If the left and right channels were completely correlated, then a 0dB block would have to be used. In reality, most stereo audio channels are partially correlated and hence a 3dB gain block was used.

# Audio/Video Switch for Three SCART Connectors

**MAX4399**



**MAXIM**  
MAX4399

Figure 2. MAX4399 Video Section Functional Diagram

# Audio/Video Switch for Three SCART Connectors

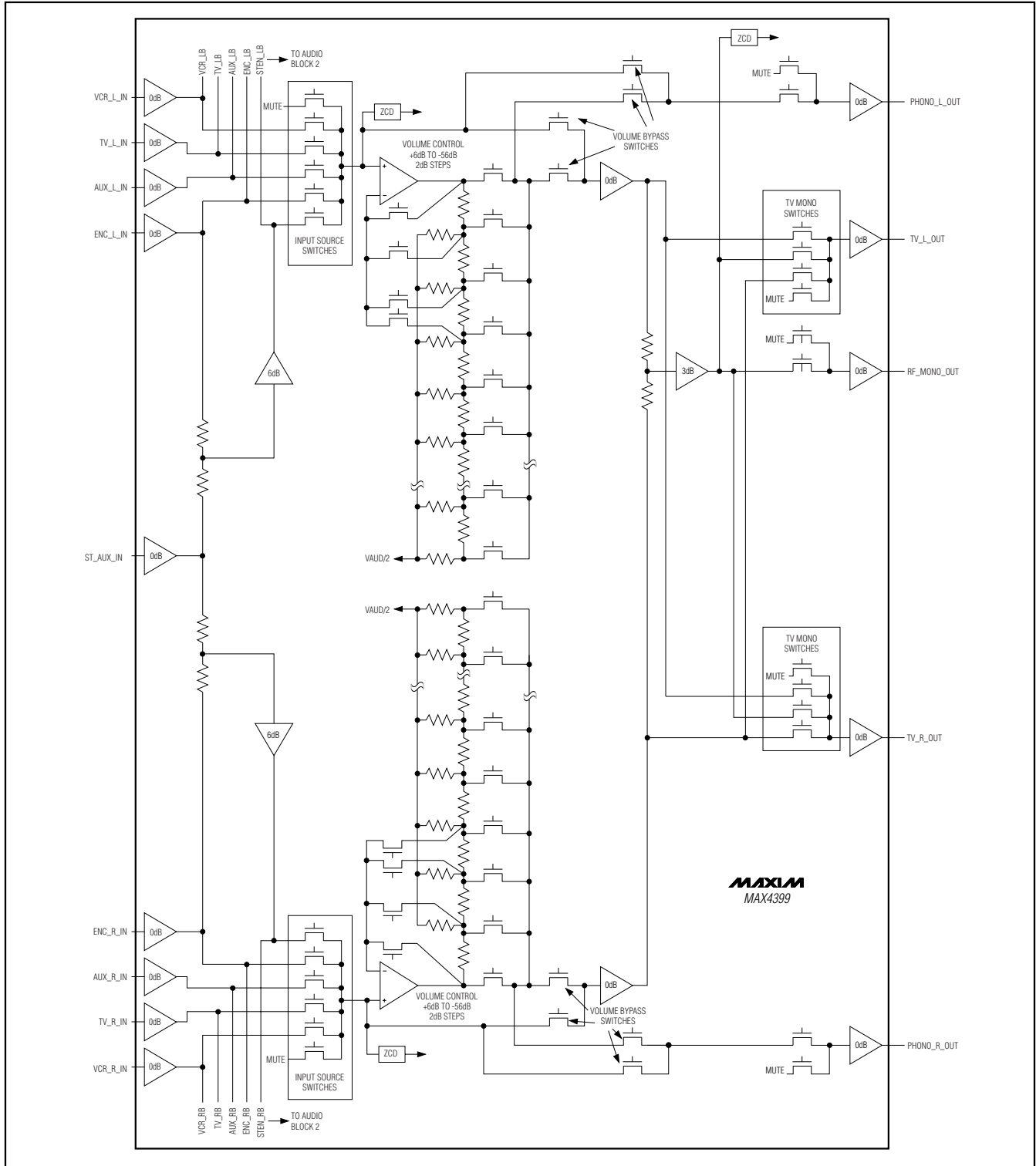


Figure 3. MAX4399 Audio Functional Diagram (AUDIO BLOCK 1)

# Audio/Video Switch for Three SCART Connectors

MAX4399

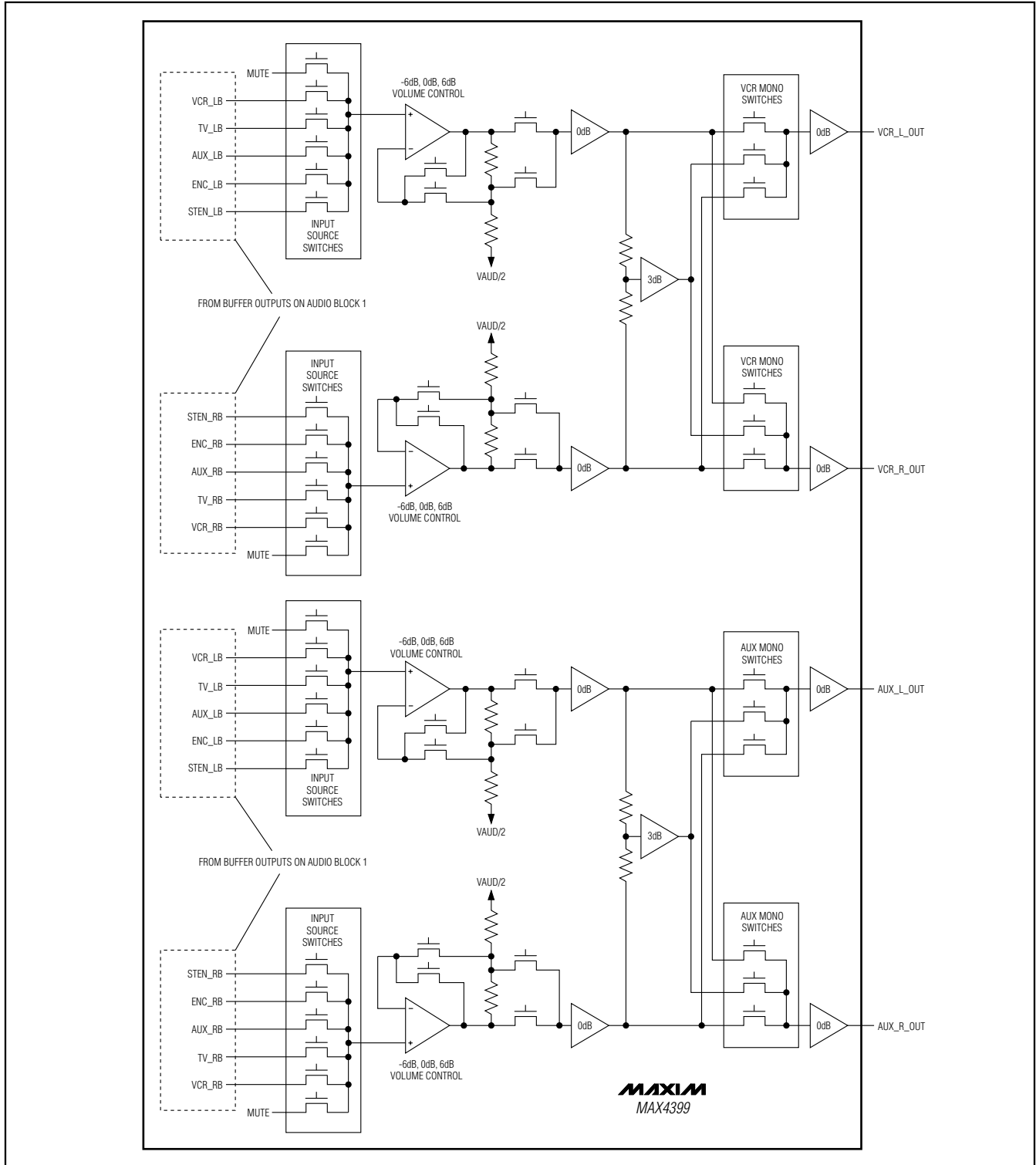


Figure 4. Audio Functional Diagram (AUDIO BLOCK2)



# Audio/Video Switch for Three SCART Connectors

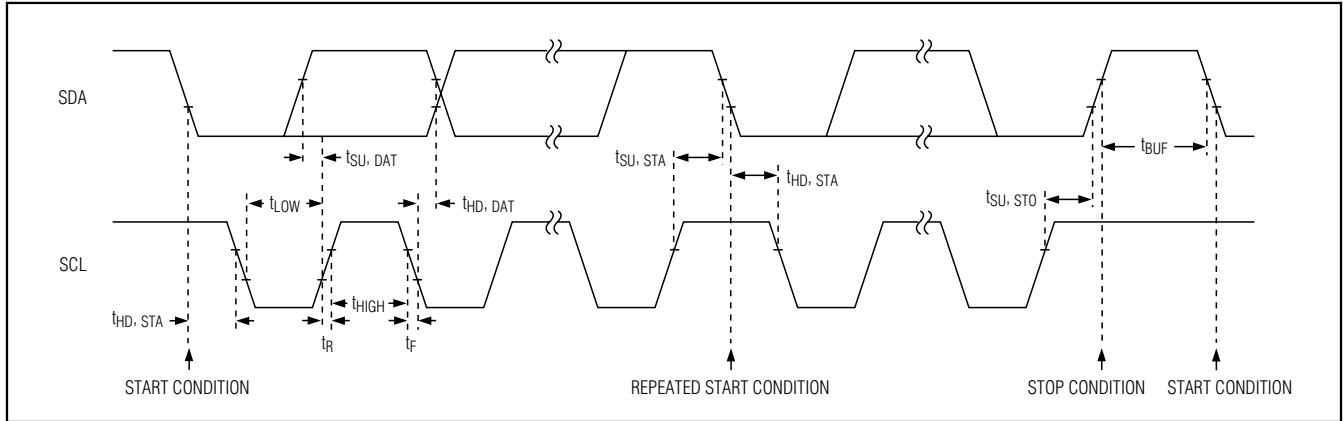


Figure 5. Timing Diagram for SDA and SCL Signals

## Zero-Cross (Clickless) Switching

The TV channel incorporates a zero-crossing detect (ZCD) circuit that minimizes click noise due to abrupt signal level changes that occur when switching between audio signals at an arbitrary moment in time.

To implement the zero-cross function when switching audio signals, set the ZCD bit by loading register 00h through the I<sup>2</sup>C-compatible interface (if the ZCD bit is not already set). Then set the mute bit high by loading register 00h. Next, wait for a period of time long enough for the audio signal to cross zero. This period is a function of the audio signal path's low frequency 3dB corner ( $f_{L3dB}$ ). For example, if  $f_{L3dB} = 20\text{Hz}$ , the time period to wait for zero cross is  $1/20\text{Hz}$  or 50ms. Next, set the appropriate TV switches using register 01h. Finally, clear the mute bit (while leaving the ZCD bit high) using register 00h. The MAX4399 switches the signal out of mute at the next zero crossing.

To implement the zero-cross function for TV volume changes, or for TV and phono volume bypass switching, simply ensure the ZCD bit in register 00h is set.

## Volume Control

The TV channel volume control ranges from -56dB to +6dB in 2dB increments. The VCR and AUX volume control settings are programmable for -6dB, 0dB, and +6dB. With the ZCD bit set, the TV volume control switches only at zero crossings, thus minimizing click noise. The TV outputs can bypass the volume control. While the phono outputs always follow the TV audio input selection, the phono outputs can either be processed through the TV volume control or they can bypass the TV volume control.

## Digital Section

### Serial Interface

The MAX4399 uses a simple 2-wire serial interface requiring only two I/O lines (2-wire bus) of a standard microprocessor ( $\mu\text{P}$ ) port. The fast-mode I<sup>2</sup>C-compatible serial interface allows communication at data rates up to 400kbps. Figure 5 shows the timing diagram for signals on the 2-wire bus.

The two bus lines (SDA and SCL) must be high when the bus is not in use. The MAX4399 is a slave device and must be controlled by a bus master device. Figure 6 shows a typical application where multiple devices can be connected to the bus provided they have different address settings. External pullup resistors are not necessary on these lines (when driven by push-pull drivers), though the MAX4399 can be used in applications where pullup resistors are required to maintain compatibility with existing circuitry. The serial interface operates at SCL rates up to 400kHz. The SDA state is allowed to change only while SCL is low, with the exception of START and STOP conditions as shown in Figure 7.

SDA's state is sampled, and therefore must remain stable while SCL is high. Data is transmitted in 8-bit bytes. Nine clock cycles are required to transfer each byte to the MAX4399. Release SDA during the 9th clock cycle as the selected device acknowledges the receipt of the byte, by pulling SDA low during this time. A series resistor on the SDA line may be needed if the master's output is forced high while the selected device acknowledges (Figure 6).

# Audio/Video Switch for Three SCART Connectors

MAX4399

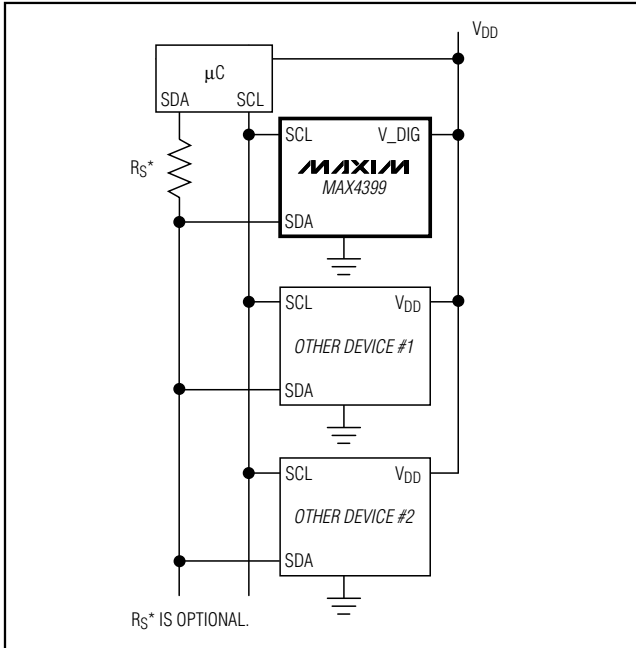


Figure 6. Multiple Devices Controlled by a 2-Wire Interface

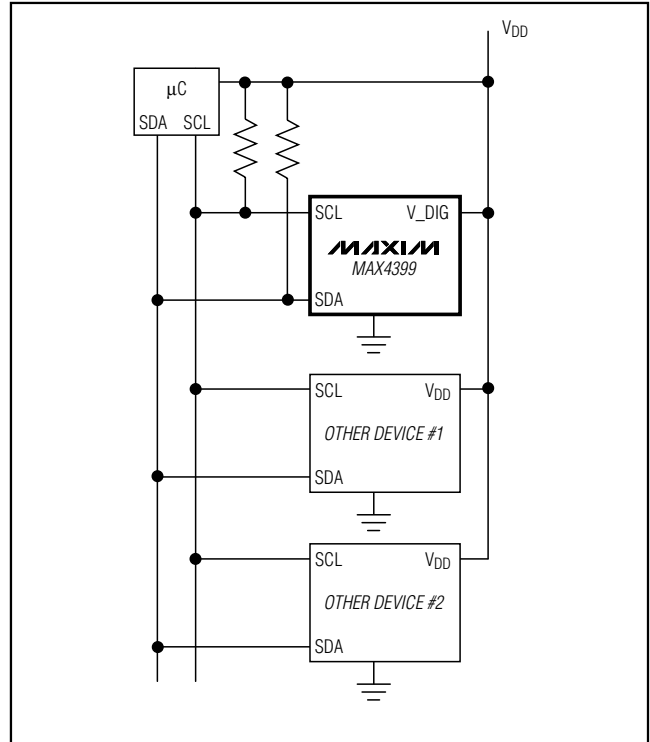


Figure 8. A Typical I<sup>2</sup>C Interface Application

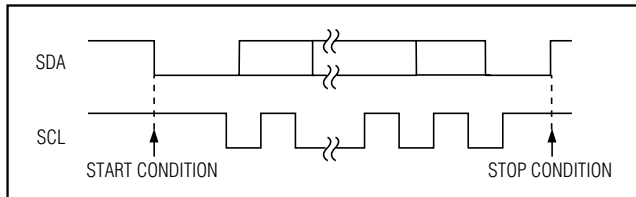


Figure 7. Start and Stop Conditions on a 2-Wire Interface

## I<sup>2</sup>C Compatibility

The MAX4399 is compatible with existing I<sup>2</sup>C systems. SCL and SDA are high-impedance inputs. SDA has an open drain that pulls the data line low during the 9th clock pulse. Figure 8 shows a typical I<sup>2</sup>C interface application. The communication protocol supports the standard I<sup>2</sup>C 8-bit communications. The general call address is ignored, and CBUS formats are not supported. The MAX4399 address is compatible with the 7-bit I<sup>2</sup>C addressing protocol only. No 10-bit formats are supported. RESTART protocol is supported, but an immediate STOP condition is necessary to update the MAX4399.

## Digital Inputs and Interface Logic

The I<sup>2</sup>C-compatible, 2-wire interface has logic levels defined as  $V_{OL} = 0.8V$  and  $V_{OH} = 2.0V$ . All of the inputs include Schmitt-trigger buffers to accept slow-transition interfaces. The digital inputs are compatible with 3V CMOS logic levels.

## INTERRUPT\_OUT Signal

INTERRUPT\_OUT is an open-drain output that becomes high impedance when a change in any of the slow-switch signals occurs. Clear INTERRUPT\_OUT by setting bit 3 of register 04h low.

## Data Format of the 2-Wire Interface

### Write mode

|   |               |   |                  |   |      |   |   |
|---|---------------|---|------------------|---|------|---|---|
| S | Slave Address | A | Register Address | A | Data | A | P |
|---|---------------|---|------------------|---|------|---|---|

### Read mode

|   |               |   |                  |   |      |   |   |
|---|---------------|---|------------------|---|------|---|---|
| S | Slave Address | A | Register Address | A | Data | A | P |
|---|---------------|---|------------------|---|------|---|---|

Where S = Start Condition, A = Acknowledge, P = Stop Condition.

# Audio/Video Switch for Three SCART Connectors

## 2-Wire Interface Slave Address Programming

Connect DEV\_ADDR to G\_DIG or V\_DIG to set the MAX4399 write and read addresses as shown in Table 2.

## Data Register Writing and Reading

Program the SCART video and audio switches by writing to registers 00h through 0Dh (Tables 3 through 18). Registers 00h through 0Dh can also be read, allowing read-back of data after programming and facilitating system debugging. The status register is read-only and can be read from address 0Eh (Table 19).

Table 2. Slave Address Programming

| DEV_ADDR CONNECTION | WRITE ADDRESS | READ ADDRESS |
|---------------------|---------------|--------------|
| G_DIG               | 94h           | 95h          |
| V_DIG               | 96h           | 97h          |

## Applications Information

### Filtering of Encoder Outputs

The DAC outputs of encoder chips need to be processed through a lowpass filter (reconstruction filter) to attenuate out-of-band noise. Figure 9 shows how the MAX7440 provides an integrated, convenient solution for reconstruction filtering.

Table 3. Write Mode Input Data Format

| REGISTER ADDRESS | POR VALUE | BIT 7                 | BIT 6              | BIT 5                | BIT 4                   | BIT 3            | BIT 2                | BIT 1                 | BIT 0              |
|------------------|-----------|-----------------------|--------------------|----------------------|-------------------------|------------------|----------------------|-----------------------|--------------------|
| 00h              | 47h       | Not used              | ZCD                | Volume control       |                         |                  |                      |                       | TV audio mute      |
| 01h              | 07h       | Not used              | Not used           | TV mono switch       |                         |                  | TV audio selection   |                       |                    |
| 02h              | 07h       | VCR volume control    |                    | VCR mono switch      |                         |                  | VCR audio selection  |                       |                    |
| 03h              | 07h       | AUX volume control    |                    | AUX mono switch      |                         |                  | AUX audio selection  |                       |                    |
| 04h              | 01h       | Not used              | Not used           | Not used             | Not used                | Interrupt enable | TV volume bypass     | Phono volume bypass   | Not used           |
| 05h              | 00h       | ENC_R/C_IN Clamp      | Not used           | Not used             | Not used                | Not used         | Not used             | Not used              | Not used           |
| 06h              | 1Fh       | TV_R/C_IN clamp       | RGB gain           |                      | TV G and B video switch |                  | TV video switch      |                       |                    |
| 07h              | 20h       | Not used              | RF_CVBS_OUT switch | TV_Y/CVBS_OUT switch | TV fast switch          |                  | TV_R/C_OUT ground    | Set TV slow switch    |                    |
| 08h              | 07h       | VCR_R/C_IN clamp      | Not used           | Not used             | Not used                | Not used         | VCR video switch     |                       |                    |
| 09h              | 00h       | Not used              | Not used           | Not used             | Not used                | Not used         | VCR_R/C_OUT ground   | Set VCR slow switch   |                    |
| 0Ah              | 07h       | AUX_R/C_IN clamp      | Not used           | Not used             | Not used                | Not used         | AUX video switch     |                       |                    |
| 0Bh              | 00h       | Not used              | Not used           | Not used             | Not used                | Not used         | AUX_R/C_OUT ground   | Set AUX slow switch   |                    |
| 0Ch              | 00h       | Not used              | Not used           | Not used             | Not used                | Not used         | Not used             | VCR_Y/CVBS_OUT enable | VCR_R/C_OUT enable |
| 0Dh              | 00h       | AUX_Y/CVBS_OUT enable | AUX_R/C_OUT enable | TV_R/C_OUT enable    | TV_G_OUT enable         | TV_B_OUT enable  | TV_Y/CVBS_OUT enable | TV_FB_OUT enable      | RF_CVBS_OUT enable |

# Audio/Video Switch for Three SCART Connectors

MAX4399

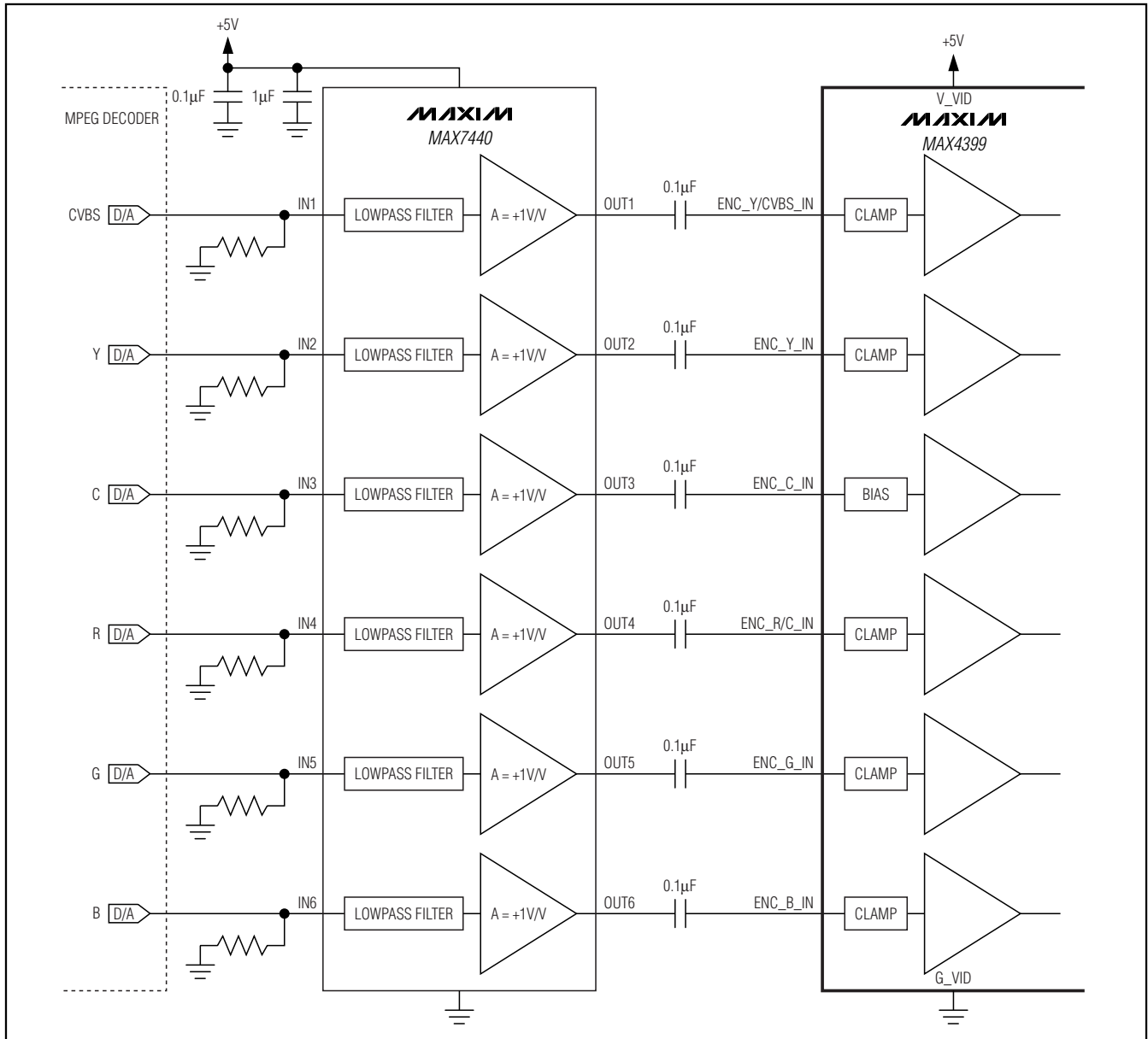


Figure 9. MPEG Decoder Outputs Filtered by the MAX7440 Before Being Passed to the MAX4399

## Hot-Plug of SCART Connectors—Floating Chassis Discharge

The MAX4399 features high-ESD protection on all SCART inputs and outputs, and requires no external transient voltage suppressor (TVS) devices to protect against floating chassis discharge. Some set-top boxes have a floating chassis problem in which the chassis is not connected to earth ground. As a result, the chassis can charge up to 500V. When a SCART cable is con-

nected to the SCART connector, the charged chassis can discharge through a signal pin. The equivalent circuit is a 2200pF capacitor charged to 311V connected through less than 0.1Ω to a signal pin. The MAX4399 is soldered on the PC board when it experiences such a discharge. Therefore, the current spike flows through the ESD protection diodes and is absorbed by the supply bypass capacitors, which have high capacitance and low ESR.

# Audio/Video Switch for Three SCART Connectors

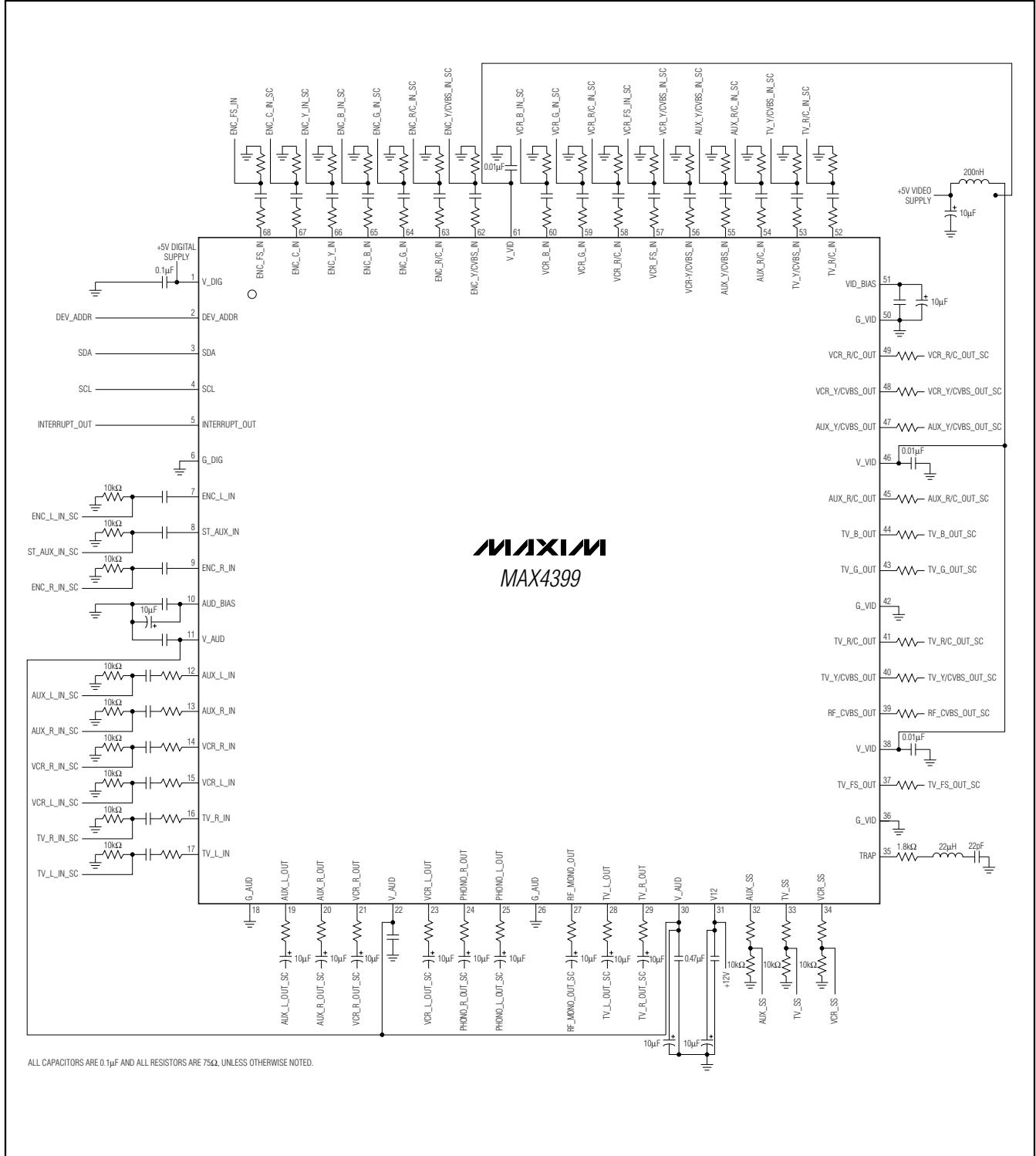


Figure 10. Floating Chassis Discharge Protection Circuit

# Audio/Video Switch for Three SCART Connectors

MAX4399

## Read Mode: Output Data Format

Table 4. Read Mode Output Data Format

| REGISTER ADDRESS | BIT 7    | BIT 6          | BIT 5                  | BIT 4 | BIT 3                  | BIT 2 | BIT 1                 | BIT 0 |
|------------------|----------|----------------|------------------------|-------|------------------------|-------|-----------------------|-------|
| 0Eh              | Not used | Power-on reset | AUX slow switch status |       | VCR slow switch status |       | TV slow switch status |       |

## Write Mode: Description of Registers

Table 5. Register 00h: Audio Control

| DESCRIPTION            | BIT |   |   |   |   |   |   |   | COMMENTS                    |
|------------------------|-----|---|---|---|---|---|---|---|-----------------------------|
|                        | 7   | 6 | 5 | 4 | 3 | 2 | 1 | 0 |                             |
| TV Audio Mute          | —   | — | — | — | — | — | — | 0 | Off                         |
|                        | —   | — | — | — | — | — | — | 1 | On (power-on default)       |
| Volume Control         | —   | — | 0 | 0 | 0 | 0 | 0 | — | +6dB gain                   |
|                        | —   | — | 0 | 0 | 0 | 0 | 1 | — | +4dB gain                   |
|                        | —   | — | 0 | 0 | 0 | 1 | 0 | — | +2dB gain                   |
|                        | —   | — | 0 | 0 | 0 | 1 | 1 | — | 0dB gain (power-on default) |
|                        | —   | — | 0 | 0 | 1 | 0 | 0 | — | -2dB gain                   |
|                        | —   | — | 0 | 0 | 1 | 0 | 1 | — | -4dB gain                   |
|                        | —   | — | — | — | — | — | — | — | —                           |
|                        | —   | — | 1 | 1 | 1 | 1 | 0 | — | -54dB gain                  |
| Zero-Crossing Detector | —   | 0 | — | — | — | — | — | — | Off                         |
|                        | —   | 1 | — | — | — | — | — | — | On (power-on default)       |

To better protect the MAX4399 against excessive voltages during the cable discharge event, additional 75Ω resistors should be placed in series with all inputs and outputs that go to the SCART connector (Figure 10). For harsh environments needing ±15kV protection, the MAX4385E and MAX4386E single and quad high-speed op amps feature the industry's first integrated ±15kV ESD protection on video inputs and outputs.

### Power Supplies and Bypassing

The MAX4399 features single +5V and +12V supply operation, and requires no negative supply. The +12V supply provides voltage for SCART function switching, and provides power for the internally generated audio supply, V\_AUD. Place all bypass capacitors as close as possible to the MAX4399. Bypass V12 to ground with a 10μF capacitor in parallel with a 0.1μF ceramic capacitor. Connect all V\_AUD pins together and bypass pin 30 with a 10μF electrolytic capacitor in parallel with a 0.47μF low-ESR ceramic capacitor to audio ground. Bypass V\_AUD pins 11 and 22 each with a 0.1μF capacitor to audio ground. Bypass AUD\_BIAS to

audio ground with a 10μF electrolytic in parallel with a 0.1μF ceramic capacitor.

Bypass V\_DIG with a 0.1μF ceramic capacitor to digital ground. Bypass each V\_VID to video ground with a 0.01μF ceramic capacitor. Connect V\_VID in series with a 200nH ferrite bead to the +5V supply. Bypass the internally generated video bias, VID\_BIAS with a 0.1μF low-ESR ceramic capacitor to G\_VID.

### Layout and Grounding

For optimal performance, use controlled-impedance traces for video signal paths, and place input termination resistors and output back-termination resistors close to the MAX4399. Avoid running video traces parallel to high-speed data lines.

The MAX4399 provides separate ground connections for video, audio, and digital supplies. For best performance use separate ground planes for each of the ground returns, and connect all three ground planes together at a single point. Refer to the MAX4399 evaluation kit for a proven circuit board layout example.

# Audio/Video Switch for Three SCART Connectors

Table 6. Register 01h: TV Audio

| DESCRIPTION               | BIT |   |   |   |   |   |   |   | COMMENTS                |                  |                           |
|---------------------------|-----|---|---|---|---|---|---|---|-------------------------|------------------|---------------------------|
|                           | 7   | 6 | 5 | 4 | 3 | 2 | 1 | 0 |                         |                  |                           |
| Input Source for TV Audio | —   | — | — | — | — | 0 | 0 | 0 | Encoder audio           |                  |                           |
|                           | —   | — | — | — | — | 0 | 0 | 1 | VCR audio               |                  |                           |
|                           | —   | — | — | — | — | 0 | 1 | 0 | AUX audio               |                  |                           |
|                           | —   | — | — | — | — | 0 | 1 | 1 | TV audio                |                  |                           |
|                           | —   | — | — | — | — | 1 | 0 | 0 | Encoder audio + tones   |                  |                           |
|                           | —   | — | — | — | — | 1 | 0 | 1 | Mute                    |                  |                           |
|                           | —   | — | — | — | — | 1 | 1 | 0 | Mute                    |                  |                           |
|                           | —   | — | — | — | — | 1 | 1 | 1 | Mute (power-on default) |                  |                           |
| TV Mono Switch Settings   | —   | — | — | — | — | — | — | — | L CHANNEL OUTPUT        | R CHANNEL OUTPUT | —                         |
|                           | —   | — | 0 | 0 | 0 | — | — | — | L                       | R                | Normal (power-on default) |
|                           | —   | — | 0 | 0 | 1 | — | — | — | R+L                     | R+L              | Mono mix                  |
|                           | —   | — | 0 | 1 | 0 | — | — | — | R                       | L                | Swap                      |
|                           | —   | — | 0 | 1 | 1 | — | — | — | R                       | R                | R channel only            |
|                           | —   | — | 1 | 0 | 0 | — | — | — | L                       | L                | L channel only            |
|                           | —   | — | 1 | 0 | 1 | — | — | — | L                       | R                | Normal                    |
|                           | —   | — | 1 | 1 | 0 | — | — | — | L                       | R                | Normal                    |
| —                         | —   | 1 | 1 | 1 | — | — | — | L | R                       | Normal           |                           |

# Audio/Video Switch for Three SCART Connectors

**MAX4399**

**Table 7. Register 02h: VCR Audio**

| DESCRIPTION                | BIT |   |   |   |   |   |   |   | COMMENTS                |                  |                           |
|----------------------------|-----|---|---|---|---|---|---|---|-------------------------|------------------|---------------------------|
|                            | 7   | 6 | 5 | 4 | 3 | 2 | 1 | 0 |                         |                  |                           |
| Input Source for VCR Audio | —   | — | — | — | — | 0 | 0 | 0 | Encoder audio           |                  |                           |
|                            | —   | — | — | — | — | 0 | 0 | 1 | VCR audio               |                  |                           |
|                            | —   | — | — | — | — | 0 | 1 | 0 | AUX audio               |                  |                           |
|                            | —   | — | — | — | — | 0 | 1 | 1 | TV audio                |                  |                           |
|                            | —   | — | — | — | — | 1 | 0 | 0 | Encoder audio + tones   |                  |                           |
|                            | —   | — | — | — | — | 1 | 0 | 1 | Mute                    |                  |                           |
|                            | —   | — | — | — | — | 1 | 1 | 0 | Mute                    |                  |                           |
|                            | —   | — | — | — | — | 1 | 1 | 1 | Mute (power-on default) |                  |                           |
| VCR Mono Switch Settings   | —   | — | — | — | — | — | — | — | L CHANNEL OUTPUT        | R CHANNEL OUTPUT | —                         |
|                            | —   | — | 0 | 0 | 0 | — | — | — | L                       | R                | Normal (power-on default) |
|                            | —   | — | 0 | 0 | 1 | — | — | — | R+L                     | R+L              | Mono mix                  |
|                            | —   | — | 0 | 1 | 0 | — | — | — | R                       | L                | Swap                      |
|                            | —   | — | 0 | 1 | 1 | — | — | — | R                       | R                | R-channel only            |
|                            | —   | — | 1 | 0 | 0 | — | — | — | L                       | L                | L-channel only            |
|                            | —   | — | 1 | 0 | 1 | — | — | — | L                       | R                | Normal                    |
|                            | —   | — | 1 | 1 | 0 | — | — | — | L                       | R                | Normal                    |
| VCR Volume Control         | 0   | 0 | — | — | — | — | — | — | 0dB (power-on default)  |                  |                           |
|                            | 0   | 1 | — | — | — | — | — | — | +6dB                    |                  |                           |
|                            | 1   | 0 | — | — | — | — | — | — | 0dB                     |                  |                           |
|                            | 1   | 1 | — | — | — | — | — | — | -6dB                    |                  |                           |



# Audio/Video Switch for Three SCART Connectors

Table 8. Register 03h: AUX Audio

| DESCRIPTION                | BIT |   |   |   |   |   |   |   | COMMENTS                |                  |                           |
|----------------------------|-----|---|---|---|---|---|---|---|-------------------------|------------------|---------------------------|
|                            | 7   | 6 | 5 | 4 | 3 | 2 | 1 | 0 |                         |                  |                           |
| Input Source for AUX Audio | —   | — | — | — | — | 0 | 0 | 0 | Encoder audio           |                  |                           |
|                            | —   | — | — | — | — | 0 | 0 | 1 | VCR audio               |                  |                           |
|                            | —   | — | — | — | — | 0 | 1 | 0 | AUX audio               |                  |                           |
|                            | —   | — | — | — | — | 0 | 1 | 1 | TV audio                |                  |                           |
|                            | —   | — | — | — | — | 1 | 0 | 0 | Encoder audio + tones   |                  |                           |
|                            | —   | — | — | — | — | 1 | 0 | 1 | Mute                    |                  |                           |
|                            | —   | — | — | — | — | 1 | 1 | 0 | Mute                    |                  |                           |
|                            | —   | — | — | — | — | 1 | 1 | 1 | Mute (power-on default) |                  |                           |
| AUX Mono Switch Settings   | —   | — | — | — | — | — | — | — | L CHANNEL OUTPUT        | R CHANNEL OUTPUT | —                         |
|                            | —   | — | 0 | 0 | 0 | — | — | — | L                       | R                | Normal (power-on default) |
|                            | —   | — | 0 | 0 | 1 | — | — | — | R+L                     | R+L              | Mono mix                  |
|                            | —   | — | 0 | 1 | 0 | — | — | — | R                       | L                | Swap                      |
|                            | —   | — | 0 | 1 | 1 | — | — | — | R                       | R                | R channel only            |
|                            | —   | — | 1 | 0 | 0 | — | — | — | L                       | L                | L channel only            |
|                            | —   | — | 1 | 0 | 1 | — | — | — | L                       | R                | Normal                    |
|                            | —   | — | 1 | 1 | 0 | — | — | — | L                       | R                | Normal                    |
| AUX Volume Control         | —   | — | 1 | 1 | 1 | — | — | — | L                       | R                | Normal                    |
|                            | 0   | 0 | — | — | — | — | — | — | 0dB (power-on default)  |                  |                           |
|                            | 0   | 1 | — | — | — | — | — | — | +6dB                    |                  |                           |
|                            | 1   | 0 | — | — | — | — | — | — | 0dB                     |                  |                           |
|                            | 1   | 1 | — | — | — | — | — | — | -6dB                    |                  |                           |

# Audio/Video Switch for Three SCART Connectors

**MAX4399**

**Table 9. Register 04h: Volume Control Bypass**

| DESCRIPTION         | BIT |   |   |   |   |   |   |   | COMMENTS   |
|---------------------|-----|---|---|---|---|---|---|---|--|
|                     | 7   | 6 | 5 | 4 | 3 | 2 | 1 | 0 |  |
| Phono Volume Bypass | —   | — | — | — | — | — | 0 | — | Phono audio passes through volume control (power-on default) |
|                     | —   | — | — | — | — | — | 1 | — | Phono audio bypasses volume control                          |
| TV Volume Bypass    | —   | — | — | — | — | 0 | — | — | TV audio passes through volume control (power-on default)    |
|                     | —   | — | — | — | — | 1 | — | — | TV audio bypasses volume control                             |
| Interrupt Enable    | —   | — | — | — | 0 | — | — | — | Clear INTERRUPT_OUT (power-on default)                       |
|                     | —   | — | — | — | 1 | — | — | — | Enable INTERRUPT_OUT   |

**Table 10. Register 05h: Encoder Video Input Control**

| DESCRIPTION           | BIT |   |   |   |   |   |   |   | COMMENTS  |
|-----------------------|-----|---|---|---|---|---|---|---|---|
|                       | 7   | 6 | 5 | 4 | 3 | 2 | 1 | 0 |   |
| ENC_R/C_IN Clamp/Bias | 0   | — | — | — | — | — | — | — | DC restore clamp active at input (power-on default) |
|                       | 1   | — | — | — | — | — | — | — | Chroma bias applied at input                        |

**Table 11. Register 06h: TV Video Input Control**

| DESCRIPTION                             | BIT |   |   |   |   |   |   |   | COMMENTS  |                         |
|---|-----|---|---|---|---|---|---|---|---|-------------------------|
|   | 7   | 6 | 5 | 4 | 3 | 2 | 1 | 0 |   |                         |
| Input Sources for TV Video              | —   | — | — | — | — | — | — | — | TV_Y/CVBS_OUT                                       | TV_R/C_OUT              |
|   | —   | — | — | — | — | 0 | 0 | 0 | ENC_Y/CVBS_IN                                       | ENC_R/C_IN              |
|   | —   | — | — | — | — | 0 | 0 | 1 | ENC_Y_IN  | ENC_C_IN                |
|   | —   | — | — | — | — | 0 | 1 | 0 | VCR_Y/CVBS_IN                                       | VCR_R/C_IN              |
|   | —   | — | — | — | — | 0 | 1 | 1 | AUX_Y/CVBS_IN                                       | AUX_R/C_IN              |
|   | —   | — | — | — | — | 1 | 0 | 0 | TV_Y/CVBS_IN  | TV_R/C_IN               |
|   | —   | — | — | — | — | 1 | 0 | 1 | Mute  | Mute                    |
|   | —   | — | — | — | — | 1 | 1 | 0 | Mute  | Mute                    |
| Input Sources for TV_G_OUT and TV_B_OUT | —   | — | — | — | — | — | — | — | Mute (power-on default)                             | Mute (power-on default) |
|   | —   | — | — | — | — | — | — | — | TV_G_OUT  | TV_B_OUT                |
|   | —   | — | — | 0 | 0 | — | — | — | ENC_G_IN  | ENC_B_IN                |
|   | —   | — | — | 0 | 1 | — | — | — | VCR_G_IN  | VCR_B_IN                |
|   | —   | — | — | 1 | 0 | — | — | — | Mute  | Mute                    |
| RGB Gain                                | —   | — | — | 1 | 1 | — | — | — | Mute (power-on default)                             | Mute (power-on default) |
|   | —   | 0 | 0 | — | — | — | — | — | 6dB (power-on default)                              |                         |
|   | —   | 0 | 1 | — | — | — | — | — | 7dB   |                         |
|   | —   | 1 | 0 | — | — | — | — | — | 5dB   |                         |
| TV_R/C_IN Clamp/Bias                    | —   | 1 | 1 | — | — | — | — | — | 5dB   |                         |
|   | 0   | — | — | — | — | — | — | — | DC restore clamp active at input (power-on default) |                         |
|   | 1   | — | — | — | — | — | — | — | Chroma bias applied at input                        |                         |

# Audio/Video Switch for Three SCART Connectors

**Table 12. Register 07h: TV Video Output Control**

| DESCRIPTION           | BIT |   |   |   |   |   |   |   | COMMENTS  |
|-----------------------|-----|---|---|---|---|---|---|---|---|
|                       | 7   | 6 | 5 | 4 | 3 | 2 | 1 | 0 |   |
| Set TV Slow Switching | —   | — | — | — | — | — | 0 | 0 | Low (<2V) internal source (power-on default)  |
|                       | —   | — | — | — | — | — | 0 | 1 | Medium (4.5V to 7V). External SCART source with 16:9 aspect ratio.                              |
|                       | —   | — | — | — | — | — | 1 | 0 | High impedance  |
|                       | —   | — | — | — | — | — | 1 | 1 | High (>9.5V). External SCART source with 4:3 aspect ratio.                                      |
| TV_R/C_OUT Ground     | —   | — | — | — | — | 0 | — | — | Normal operation. Pulldown on TV_R/C_OUT is off (power-on default).                             |
|                       | —   | — | — | — | — | 1 | — | — | Ground. Pulldown on TV_R/C_OUT is on. <b>The output amplifier driving TV_R/C_OUT turns off.</b> |
| Fast Switching        | —   | — | — | 0 | 0 | — | — | — | 0 (power-on default)  |
|                       | —   | — | — | 0 | 1 | — | — | — | Same level as ENC_FS_IN   |
|                       | —   | — | — | 1 | 0 | — | — | — | Same level as VCR_FS_IN   |
|                       | —   | — | — | 1 | 1 | — | — | — | V_VID   |
| TV_Y/CVBS_OUT Switch  | —   | — | 0 | — | — | — | — | — | Composite video from the Y/C mixer is output  |
|                       | —   | — | 1 | — | — | — | — | — | The TV_Y/CVBS_OUT signal selected in register 06h is output (power-on default)                  |
| RF_CVBS_OUT Switch    | —   | 0 | — | — | — | — | — | — | Composite video from the Y/C mixer is output (power-on default)                                 |
|                       | —   | 1 | — | — | — | — | — | — | The TV_Y/CVBS_OUT signal selected in register 06h is output                                     |

**Table 13. Register 08h: VCR Video Input Control**

| DESCRIPTION                 | BIT |   |   |   |   |   |   |   | COMMENTS  |                         |
|-----------------------------|-----|---|---|---|---|---|---|---|---|-------------------------|
|                             | 7   | 6 | 5 | 4 | 3 | 2 | 1 | 0 | VCR_Y/CVBS_OUT                                      | VCR_R/C_OUT             |
| Input Sources for VCR Video | —   | — | — | — | — | — | — | — | VCR_Y/CVBS_OUT                                      | VCR_R/C_OUT             |
|                             | —   | — | — | — | — | 0 | 0 | 0 | ENC_Y/CVBS_IN                                       | ENC_R/C_IN              |
|                             | —   | — | — | — | — | 0 | 0 | 1 | ENC_Y_IN  | ENC_C_IN                |
|                             | —   | — | — | — | — | 0 | 1 | 0 | VCR_Y/CVBS_IN                                       | VCR_R/C_IN              |
|                             | —   | — | — | — | — | 0 | 1 | 1 | AUX_Y/CVBS_IN                                       | AUX_R/C_IN              |
|                             | —   | — | — | — | — | 1 | 0 | 0 | TV_Y/CVBS_IN  | TV_R/C_IN               |
|                             | —   | — | — | — | — | 1 | 0 | 1 | Mute  | Mute                    |
|                             | —   | — | — | — | — | 1 | 1 | 0 | Mute  | Mute                    |
| VCR_R/C_IN Clamp/Bias       | —   | — | — | — | — | 1 | 1 | 1 | Mute (power-on default)                             | Mute (power-on default) |
|                             | 0   | — | — | — | — | — | — | — | DC restore clamp active at input (power-on default) |                         |
|                             | 1   | — | — | — | — | — | — | — | Chroma bias applied at input                        |                         |

# Audio/Video Switch for Three SCART Connectors

MAX4399

**Table 14. 09h: VCR Video Output Control**

| DESCRIPTION            | BIT |   |   |   |   |   |   |   | COMMENTS   |
|------------------------|-----|---|---|---|---|---|---|---|--|
|                        | 7   | 6 | 5 | 4 | 3 | 2 | 1 | 0 |  |
| Set VCR Slow Switching | —   | — | — | — | — | — | 0 | 0 | Low (<2V) internal source (power-on default)   |
|                        | —   | — | — | — | — | — | 0 | 1 | Medium (4.5V to 7V). External SCART source with 16:9 aspect ratio.                               |
|                        | —   | — | — | — | — | — | 1 | 0 | High impedance   |
|                        | —   | — | — | — | — | — | 1 | 1 | High (>9.5V). External SCART source with 4:3 aspect ratio.                                       |
| VCR_R/C_OUT Ground     | —   | — | — | — | — | 0 | — | — | Normal operation. Pulldown on TV_R/C_OUT is off (power-on default)                               |
|                        | —   | — | — | — | — | 1 | — | — | Ground. Pulldown on TV_R/C_OUT is on. <b>The output amplifier driving VCR_R/C_OUT turns off.</b> |

**Table 15. Register 0Ah: AUX Video Input Control**

| DESCRIPTION                 | BIT |   |   |   |   |   |   |   | COMMENTS  |             |
|-----------------------------|-----|---|---|---|---|---|---|---|---|-------------|
|                             | 7   | 6 | 5 | 4 | 3 | 2 | 1 | 0 |   |             |
| Input Sources for AUX Video | —   | — | — | — | — | — | — | — | AUX_Y/CVBS_OUT                                      | AUX_R/C_OUT |
|                             | —   | — | — | — | — | 0 | 0 | 0 | ENC_Y/CVBS_IN                                       | ENC_R/C_IN  |
|                             | —   | — | — | — | — | 0 | 0 | 1 | ENC_Y_IN  | ENC_C_IN    |
|                             | —   | — | — | — | — | 0 | 1 | 0 | VCR_Y/CVBS_IN                                       | VCR_R/C_IN  |
|                             | —   | — | — | — | — | 0 | 1 | 1 | AUX_Y/CVBS_IN                                       | AUX_R/C_IN  |
|                             | —   | — | — | — | — | 1 | 0 | 0 | TV_Y/CVBS_IN  | TV_R/C_IN   |
|                             | —   | — | — | — | — | 1 | 0 | 1 | Mute  | Mute        |
|                             | —   | — | — | — | — | 1 | 1 | 0 | Mute  | Mute        |
| AUX_R/C_IN Clamp/Bias       | 0   | — | — | — | — | — | — | — | DC restore clamp active at input (power-on default) |             |
|                             | 1   | — | — | — | — | — | — | — | Chroma bias applied at input                        |             |

**Table 16. Register 0Bh: AUX Video Output Control**

| DESCRIPTION            | BIT |   |   |   |   |   |   |   | COMMENTS   |  |
|------------------------|-----|---|---|---|---|---|---|---|--|--|
|                        | 7   | 6 | 5 | 4 | 3 | 2 | 1 | 0 |  |  |
| Set AUX Slow Switching | —   | — | — | — | — | — | — | 0 | 0  | Low (<2V). Internal source (power-on default).                     |
|                        | —   | — | — | — | — | — | — | 0 | 1  | Medium (4.5V to 7V). External SCART source with 16:9 aspect ratio. |
|                        | —   | — | — | — | — | — | — | 1 | 0  | High impedance   |
|                        | —   | — | — | — | — | — | — | 1 | 1  | High (>9.5V). External SCART source with 4:3 aspect ratio.         |
| AUX_R/C_OUT Ground     | —   | — | — | — | — | 0 | — | — | Normal operation. Pulldown on TV_R/C_OUT is off (power-on default).                              |  |
|                        | —   | — | — | — | — | 1 | — | — | Ground. Pulldown on TV_R/C_OUT is on. <b>The output amplifier driving AUX_R/C_OUT turns off.</b> |  |

# Audio/Video Switch for Three SCART Connectors

**Table 17. Register 0Ch: Output Enable**

| DESCRIPTION    | BIT |   |   |   |   |   |   |   | COMMENTS               |
|----------------|-----|---|---|---|---|---|---|---|------------------------|
|                | 7   | 6 | 5 | 4 | 3 | 2 | 1 | 0 |                        |
| VCR_R/C_OUT    | —   | — | — | — | — | — | — | 0 | Off (power-on default) |
|                | —   | — | — | — | — | — | — | 1 | On                     |
| VCR_Y/CVBS_OUT | —   | — | — | — | — | — | 0 | — | Off (power-on default) |
|                | —   | — | — | — | — | — | 1 | — | On                     |

**Table 18. Register 0Dh: Output Enable**

| DESCRIPTION    | BIT |   |   |   |   |   |   |   | COMMENTS               |
|----------------|-----|---|---|---|---|---|---|---|------------------------|
|                | 7   | 6 | 5 | 4 | 3 | 2 | 1 | 0 |                        |
| RF_CVBS_OUT    | —   | — | — | — | — | — | — | 0 | Off (power-on default) |
|                | —   | — | — | — | — | — | — | 1 | On                     |
| TV_FS_OUT      | —   | — | — | — | — | — | 0 | — | Off (power-on default) |
|                | —   | — | — | — | — | — | 1 | — | On                     |
| TV_Y/CVBS_OUT  | —   | — | — | — | — | 0 | — | — | Off (power-on default) |
|                | —   | — | — | — | — | 1 | — | — | On                     |
| TV_B_OUT       | —   | — | — | — | 0 | — | — | — | Off (power-on default) |
|                | —   | — | — | — | 1 | — | — | — | On                     |
| TV_G_OUT       | —   | — | — | 0 | — | — | — | — | Off (power-on default) |
|                | —   | — | — | 1 | — | — | — | — | On                     |
| TV_R/C_OUT     | —   | — | 0 | — | — | — | — | — | Off (power-on default) |
|                | —   | — | 1 | — | — | — | — | — | On                     |
| AUX_R/C_OUT    | —   | 0 | — | — | — | — | — | — | Off (power-on default) |
|                | —   | 1 | — | — | — | — | — | — | On                     |
| AUX_Y/CVBS_OUT | 0   | — | — | — | — | — | — | — | Off (power-on default) |
|                | 1   | — | — | — | — | — | — | — | On                     |

# Audio/Video Switch for Three SCART Connectors

**MAX4399**

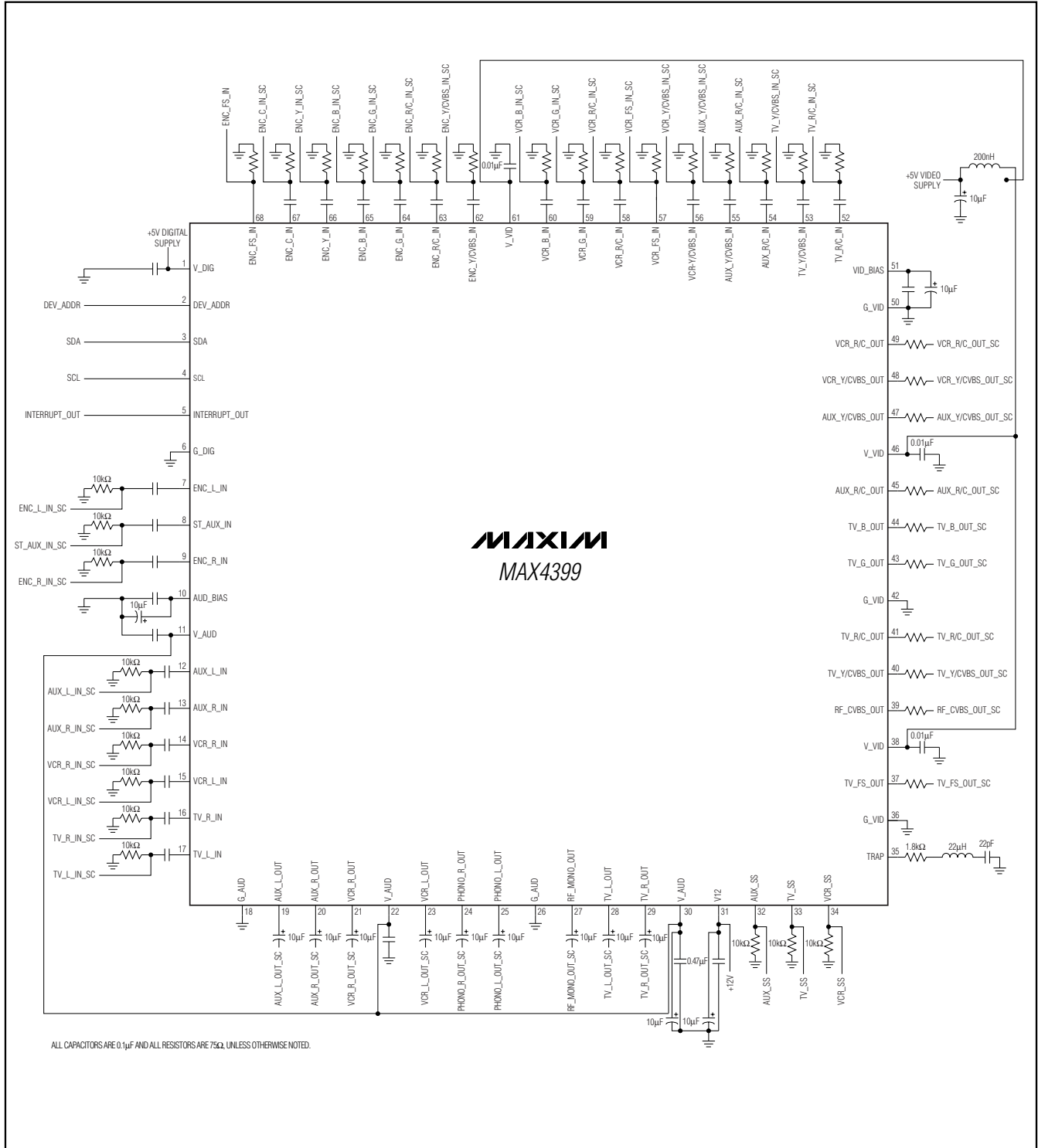
## Read Mode: Description of Register

**Table 19. Register 0Eh: Status**

| DESCRIPTION            | BIT |   |   |   |   |   |   |   | COMMENTS   |
|------------------------|-----|---|---|---|---|---|---|---|--|
|                        | 7   | 6 | 5 | 4 | 3 | 2 | 1 | 0 |  |
| TV Slow Switch Status  | —   | — | — | — | — | — | 0 | 0 | 0 to 2V; internal source                             |
|                        | —   | — | — | — | — | — | 0 | 1 | 4.5V to 7V; external source with 16:9 aspect ratio   |
|                        | —   | — | — | — | — | — | 1 | 0 | Not used   |
|                        | —   | — | — | — | — | — | 1 | 1 | 9.5V to 12.6V; external source with 4:3 aspect ratio |
| VCR Slow Switch Status | —   | — | — | — | 0 | 0 | — | — | 0 to 2V; internal source                             |
|                        | —   | — | — | — | 0 | 1 | — | — | 4.5V to 7V; external source with 16:9 aspect ratio   |
|                        | —   | — | — | — | 1 | 0 | — | — | Not used   |
|                        | —   | — | — | — | 1 | 1 | — | — | 9.5V to 12.6V; external source with 4:3 aspect ratio |
| AUX Slow Switch Status | —   | — | 0 | 0 | — | — | — | — | 0 to 2V; internal source                             |
|                        | —   | — | 0 | 1 | — | — | — | — | 4.5V to 7V; external source with 16:9 aspect ratio   |
|                        | —   | — | 1 | 0 | — | — | — | — | Not used   |
|                        | —   | — | 1 | 1 | — | — | — | — | 9.5V to 12.6V; external source with 4:3 aspect ratio |
| Power-On Reset         | —   | 0 | — | — | — | — | — | — | V_DIG is too low for digital logic to operate        |
|                        | —   | 1 | — | — | — | — | — | — | V_DIG is high enough for digital logic to operate    |

# Audio/Video Switch for Three SCART Connectors

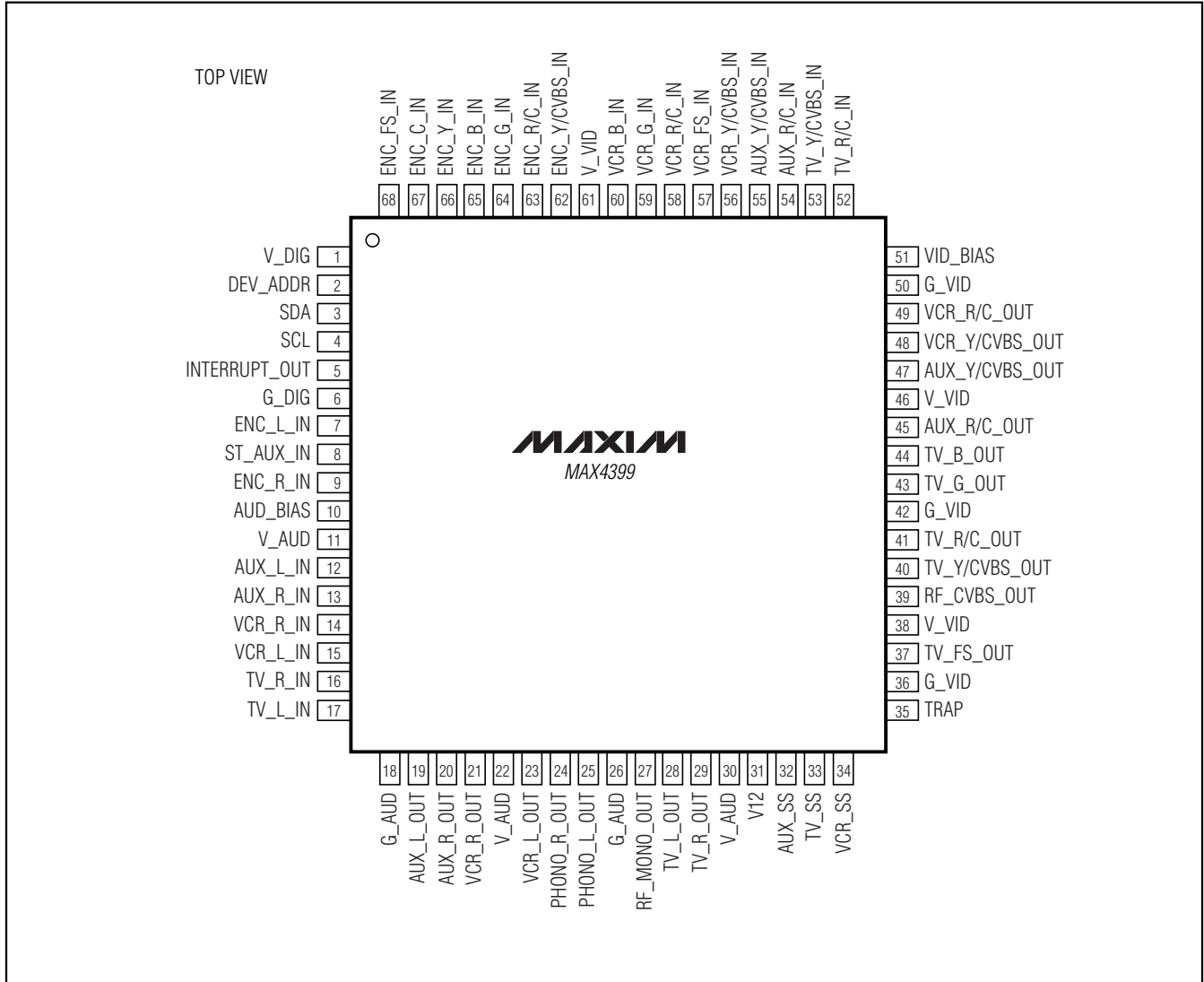
## Typical Application Circuit



# Audio/Video Switch for Three SCART Connectors

## Pin Configuration

**MAX4399**



## Chip Information

TRANSISTOR COUNT: 18,134

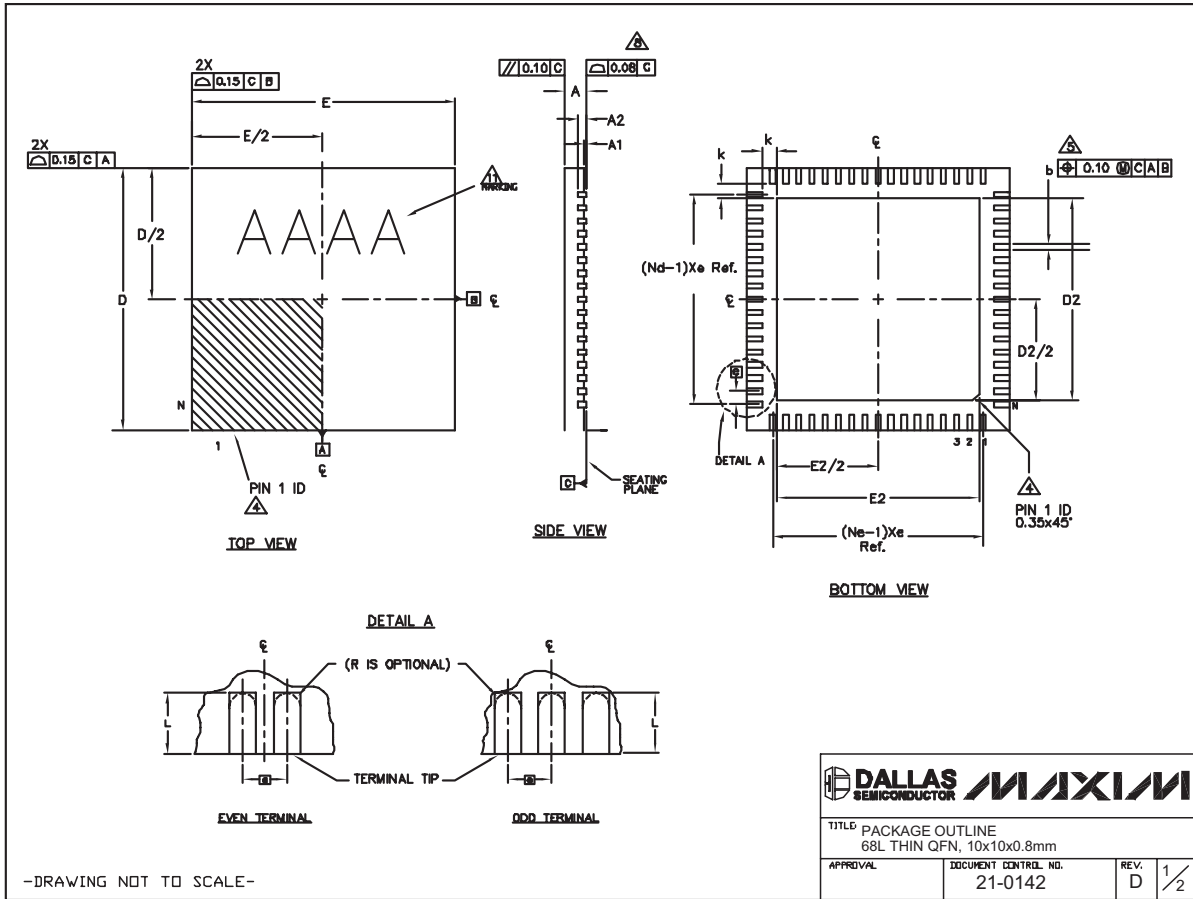
PROCESS: BiCMOS



# Audio/Video Switch for Three SCART Connectors

## Package Information

(The package drawing(s) in this data sheet may not reflect the most current specifications. For the latest package outline information, go to [www.maxim-ic.com/packages](http://www.maxim-ic.com/packages).)



68L QFN THIN.EPS

# Audio/Video Switch for Three SCART Connectors

## Package Information

(The package drawing(s) in this data sheet may not reflect the most current specifications. For the latest package outline information, go to [www.maxim-ic.com/packages](http://www.maxim-ic.com/packages).)

MAX4399

| PKG REF. | 68L 10x10 |       |       | NOTE |
|----------|-----------|-------|-------|------|
|          | MIN.      | NDM.  | MAX.  |      |
| A        | 0.70      | 0.75  | 0.80  |      |
| A1       | 0.00      | 0.01  | 0.05  |      |
| A2       | 0.20 REF  |       |       |      |
| b        | 0.20      | 0.25  | 0.30  |      |
| D        | 9.90      | 10.00 | 10.10 |      |
| E        | 9.90      | 10.00 | 10.10 |      |
| e        | 0.50 BSC. |       |       |      |
| k        | 0.25      | -     | -     |      |
| L        | 0.45      | 0.55  | 0.65  |      |
| N        | 68        |       |       |      |
| ND       | 17        |       |       |      |
| NE       | 17        |       |       |      |
| JEDEC    | WNND-2    |       |       |      |

| PKG. CODE | EXPOSED PAD VARIATIONS |      |      |      |      |      | DOWN BONDS ALLOWED |
|-----------|------------------------|------|------|------|------|------|--------------------|
|           | D2                     |      |      | E2   |      |      |                    |
|           | MIN.                   | NDM. | MAX. | MIN. | NDM. | MAX. |                    |
| T6800-2   | 7.60                   | 7.70 | 7.80 | 7.60 | 7.70 | 7.80 | YES                |
| T6800-3   | 7.60                   | 7.70 | 7.80 | 7.60 | 7.70 | 7.80 | NO                 |
| T6800-4   | 7.60                   | 7.70 | 7.80 | 7.60 | 7.70 | 7.80 | YES                |

**NOTES:**

- DIMENSIONING & TOLERANCING CONFORM TO ASME Y14.5M-1994.
- ALL DIMENSIONS ARE IN MILLIMETERS. ANGLES ARE IN DEGREES.
- N IS THE TOTAL NUMBER OF TERMINALS.
- THE TERMINAL #1 IDENTIFIER AND TERMINAL NUMBERING CONVENTION SHALL CONFORM TO JESD 95-1 SPP-012. DETAILS OF TERMINAL #1 IDENTIFIER ARE OPTIONAL, BUT MUST BE LOCATED WITHIN THE ZONE INDICATED. THE TERMINAL #1 IDENTIFIER MAY BE EITHER A MOLD OR MARKED FEATURE.
- DIMENSION b APPLIES TO METALLIZED TERMINAL AND IS MEASURED BETWEEN 0.25mm AND 0.30mm FROM TERMINAL TIP.
- ND AND NE REFER TO THE NUMBER OF TERMINALS ON EACH D AND E SIDE RESPECTIVELY.
- DEPOPULATION IS POSSIBLE IN A SYMMETRICAL FASHION.
- COPLANARITY APPLIES TO THE EXPOSED HEAT SINK SLUG AS WELL AS THE TERMINALS.
- DRAWING CONFORMS TO JEDEC MO-220.
- WARPAGE SHALL NOT EXCEED 0.10mm.
- MARKING IS FOR PACKAGE ORIENTATION REFERENCE ONLY
- NUMBER OF LEADS SHOWN ARE FOR REFERENCE ONLY

-DRAWING NOT TO SCALE-

|   |                                 |
|---|---------------------------------|
|  |                                 |
| TITLE: PACKAGE OUTLINE<br>68L THIN QFN, 10x10x0.8mm                                   |                                 |
| APPROVAL  | DOCUMENT CONTROL NO.<br>21-0142 |
| REV. D  | 2/2                             |

## Revision History

Pages changed at Rev 1: 1, 30, 32, 33

Maxim cannot assume responsibility for use of any circuitry other than circuitry entirely embodied in a Maxim product. No circuit patent licenses are implied. Maxim reserves the right to change the circuitry and specifications without notice at any time.

Maxim Integrated Products, 120 San Gabriel Drive, Sunnyvale, CA 94086 408-737-7600 33