

## 阅读申明

- 1.本站收集的数据手册和产品资料都来自互联网，版权归原作者所有。如读者和版权方有任何异议请及时告之，我们将妥善解决。
- 2.本站提供的中文数据手册是英文数据手册的中文翻译，其目的是协助用户阅读，该译文无法自动跟随原稿更新，同时也可能存在翻译上的不当。建议读者以英文原稿为参考以便获得更精准的信息。
- 3.本站提供的产品资料，来自厂商的技术支持或者使用者的心得体会等，其内容可能存在描述上的差异，建议读者做出适当判断。
- 4.如需与我们联系，请发邮件到marketing@iczoom.com，主题请标有“数据手册”字样。

## Read Statement

1. The datasheets and other product information on the site are all from network reference or other public materials, and the copyright belongs to the original author and original published source. If readers and copyright owners have any objections, please contact us and we will deal with it in a timely manner.
2. The Chinese datasheets provided on the website is a Chinese translation of the English datasheets. Its purpose is for reader's learning exchange only and do not involve commercial purposes. The translation cannot be automatically updated with the original manuscript, and there may also be improper translations. Readers are advised to use the English manuscript as a reference for more accurate information.
3. All product information provided on the website refer to solutions from manufacturers' technical support or users the contents may have differences in description, and readers are advised to take the original article as the standard.
4. If you have any questions, please contact us at marketing@iczoom.com and mark the subject with "Datasheets" .

### General Description

The 6V49205B is a main clock for Freescale P10xx and P20xx-based systems. It has a selectable System CCB clock and 2 DDRCLK speeds – 100M or 66.66M. The 6V49205B also provides LP-HCSL PCIe outputs for low power and reduced board space.

### Output Features

- 1 - Sys\_CCB 3.3V LVCMOS output @ 100M/83.33M/80M/66.66M
- 1 - DDRCLK 3.3V LVCMOS output @ 100M or 66.66M <sup>1</sup>
- 1 - 125M 3.3V LVCMOS output
- 6 - LP-HCSL PCIe pairs selectable @ 100M or 125M
- 6 - 25MHz 3.3V LVCMOS outputs
- 2 - 2.048M 3.3V LVCMOS outputs
- 2 - USB 3.3V LVCMOS outputs @12M or 24M

### Key Specifications

- PCIe Gen1-2-3 compliant
- <3p rms phase noise on REF outputs

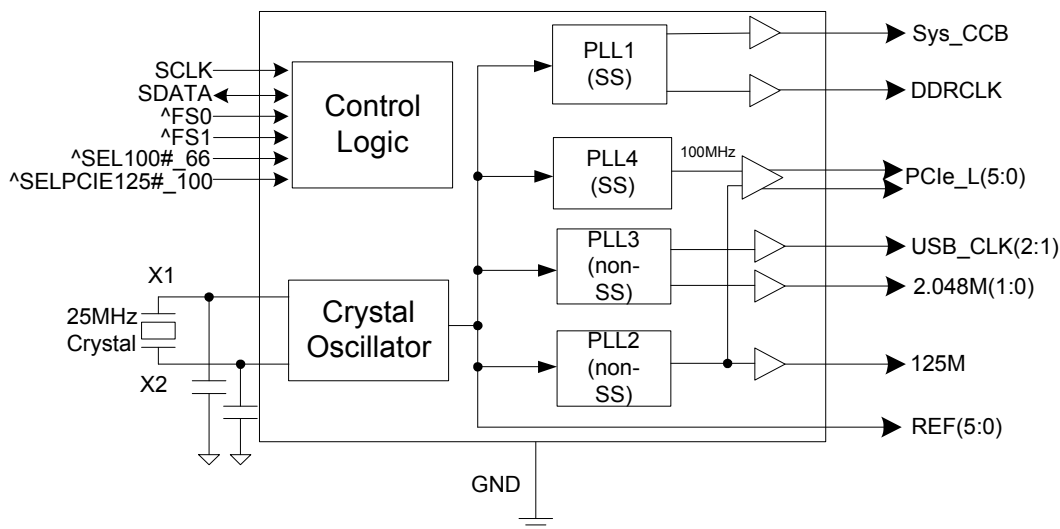
### Recommended Application

System Clock for Freescale P10xx and P20xx-based designs

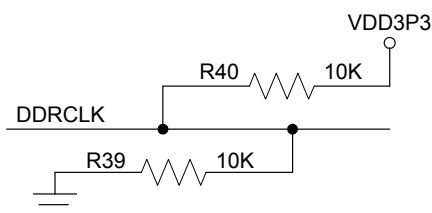
### Features

- Replaces 11 crystals, 2 oscillators and 3 clock generators; lowers cost, power and area
- Integrated terminations on LP-HCSL PCIe outputs; eliminate 24 resistors, saving 41mm<sup>2</sup> of board area
- Industrial temperature range operation; supports demanding environmental conditions
- Advanced 3.3V CMOS process; high-performance, low-power
- Supports independent spread spectrum on Sys\_CCB/DDRCLK and PCIe outputs
- Available in space-saving 7x7mm 48-pin VFQFPN with 0.5mm pad pitch; reduced board space without the need for fine-pitch assembly techniques

### Block Diagram



**Note 1:** For DDR Clock: Processor core and I/O supply rails must be ramped with VDD3P3 or earlier. Clock signal will be clamped LOW and output clock will be 100MHz if this is not followed (see diagram below).





## Pin Descriptions

PIN #	PIN NAME	PIN TYPE	DESCRIPTION
1	X2_25	OUT	Crystal output, Nominally 25.00MHz.
2	X1_25	IN	Crystal input, Nominally 25.00MHz.
3	GNDREF	PWR	Ground pin for the REF outputs.
4	REF5	OUT	Copy of crystal input
5	REF4	OUT	Copy of crystal input
6	REF3	OUT	Copy of crystal input
7	VDDREF	PWR	Ref, XTAL power supply, nominal 3.3V
8	GNDREF	PWR	Ground pin for the REF outputs.
9	REF2	OUT	Copy of crystal input
10	REF1	OUT	Copy of crystal input
11	^SELPCIE125#_100/REF0	I/O	Latched input to select the PCIe output frequency/REF0 output. 0 = 125M 1 = 100M
12	AVDD12_24	PWR	Power for 12_24MHz PLL core, and outputs. Nominal 3.3V
13	^FS0/USB_CLK1	I/O	Frequency select latch for Sys_CCB / 12 or 24MHz USB clock output. 3.3V. This pin has an internal pull up resistor.
14	^FS1/USB_CLK2	I/O	Frequency select latch for Sys_CCB / 12 or 24MHz USB clock output. 3.3V. This pin has an internal pull up resistor.
15	GND12_24	PWR	Ground pin for 12_24M outputs.
16	GND2.048	PWR	Ground pin for 2.048M outputs.
17	CK2.048_0	OUT	2.048M output, nominal 3.3V.
18	CK2.048_1	OUT	2.048M output, nominal 3.3V.
19	VDD2.048	PWR	Power supply for 2.048M outputs, nominal 3.3V.
20	AVDD125	PWR	Power for 125MHz PLL core and output, nominal 3.3V
21	125M	OUT	125M output, nominal 3.3V.
22	GND125M	PWR	Ground pin for 125M outputs.
23	PCleT_LR0	OUT	True clock of 0.8V differential push-pull PCI_Express pair with integrated 33ohm series resistor
24	PCleC_LR0	OUT	Complement clock of 0.8V differential push-pull PCI_Express pair with integrated 33ohm series resistor
25	PCleC_LR1	OUT	Complement clock of 0.8V differential push-pull PCI_Express pair with integrated 33ohm series resistor
26	PCleT_LR1	OUT	True clock of 0.8V differential push-pull PCI_Express pair with integrated 33ohm series resistor
27	VDDPCle	PWR	Power supply for PCI Express outputs, nominal 3.3V
28	GNDPCle	PWR	Ground pin for the PCIe outputs.
29	PCleC_LR2	OUT	Complement clock of 0.8V differential push-pull PCI_Express pair with integrated 33ohm series resistor
30	PCleT_LR2	OUT	True clock of 0.8V differential push-pull PCI_Express pair with integrated 33ohm series resistor
31	PCleC_LR3	OUT	Complement clock of 0.8V differential push-pull PCI_Express pair with integrated 33ohm series resistor
32	PCleT_LR3	OUT	True clock of 0.8V differential push-pull PCI_Express pair with integrated 33ohm series resistor
33	AVDDPCle	PWR	Analog Power supply for PCI Express clocks, nominal 3.3V
34	GNDPCle	PWR	Ground pin for the PCIe outputs.
35	PCleC_LR4	OUT	Complement clock of 0.8V differential push-pull PCI_Express pair with integrated 33ohm series resistor
36	PCleT_LR4	OUT	True clock of 0.8V differential push-pull PCI_Express pair with integrated 33ohm series resistor
37	PCleC_LR5	OUT	Complement clock of 0.8V differential push-pull PCI_Express pair with integrated 33ohm series resistor
38	PCleT_LR5	OUT	True clock of 0.8V differential push-pull PCI_Express pair with integrated 33ohm series resistor
39	GNDPCle	PWR	Ground pin for the PCIe outputs.
40	GNDSYS	PWR	Ground pin for the Sys_CCB output
41	Sys_CCB	OUT	System CCB clock output
42	AVDDSYS	PWR	Analog Power supply for Sys_CCB clock and outputs, nominal 3.3V
43	VddDDR	PWR	Power supply for DDR Clock output, nominal 3.3V
44	^SEL100#_66/DDRCLK	I/O	Latched input to select the DDR output frequency/DDRCLK output. See note regarding system power sequencing. 0 = 100M 1 = 66.666M
45	GndDDR	PWR	Ground pin for the DDR outputs.
46	SCLK	IN	Clock pin of SMBus circuitry.
47	SDATA	I/O	Data pin for SMBus circuitry.
48	VDDREF	PWR	Ref, XTAL power supply, nominal 3.3V

**Table 1: PCIEX Spread Table** (selectable via SMBUS)

SELPCIE125#_100 B6b4	B0b4	B0b3	Spread %
0 (125MHz)	x	x	No Spread
1 (100MHz)	0	0	No Spread (default)
1 (100MHz)	0	1	Down -0.5%
1 (100MHz)	1	0	Down -0.75%
1 (100MHz)	1	1	No Spread

\*Once in spread mode, do not return to non spread without reset

**Table 2: Sys\_CCB and DDR Spread Table** (selectable via SMBUS)

B0b7	B0b6	B0b5	Spread %
0	0	0	No Spread (default)
0	0	1	Down -0.5%
0	1	0	Down -0.75%
0	1	1	Down -0.25%
1	0	0	Down -1%
1	0	1	Down -1.25%
1	1	0	Down -1.5%
1	1	1	Down -2%

**Table 3: Sys\_CCB Frequency Select Table** (Latched and selectable via SMBUS)

FS1 / B4b3	FS0 / B4b2	Sys_CCB (MHz)
0	0	66.66
0	0	100
0	1	80
0	1	83.33

**Table 4: PCI Express Amplitude Control**

B6b7	B6b6	PCIe Amplitude
0	0	700mV
0	1	800mV
1	0	900mV
1	1	1000mV

## Absolute Maximum Ratings

Stresses above the ratings listed below can cause permanent damage to the 6V49205B. These ratings, which are standard values for IDT commercially rated parts, are stress ratings only. Functional operation of the device at these or any other conditions above those indicated in the operational sections of the specifications is not implied. Exposure to absolute maximum rating conditions for extended periods can affect product reliability. Electrical parameters are guaranteed only over the recommended operating temperature range.

PARAMETER	SYMBOL	CONDITIONS	MIN	TYP	MAX	UNITS	Notes
Maximum Supply Voltage	VDDxxx	Supply Voltage			4.6	V	1
Maximum Input Voltage	V <sub>IH</sub>	Referenced to GND			VDD + 0.5	V	1
Minimum Input Voltage	V <sub>IL</sub>	Referenced to GND	GND - 0.5			V	1
Storage Temperature	T <sub>s</sub>	-	-65		150	°C	
Junction Temperature	T <sub>J</sub>	-			125	°C	1
Input ESD protection	ESD prot	Human Body Model	2000			V	1

### NOTES on Absolute Max Parameters

<sup>1</sup> Operation under these conditions is neither implied, nor guaranteed.

## Electrical Characteristics - Input/Supply/Common Output DC Parameters

T<sub>AMB</sub> = -40 to +85°C; V<sub>DD</sub> = 3.3 V +/-5%, All outputs driving test loads (unless noted otherwise).

PARAMETER	SYMBOL	CONDITIONS	MIN	TYP	MAX	UNITS	Notes
Ambient Operating Temp	T <sub>AMB</sub>	-	-40	25	85	°C	
Supply Voltage	VDDxxx	Supply Voltage	3.135	3.3	3.465	V	
Power supply Ramp Time	T <sub>PWRRMP</sub>	Power supply ramp must be monotonic			4	ms	
Latched Input High Voltage	V <sub>IH_LI</sub>	Single-ended Latched Inputs	2.1		V <sub>DD</sub> + 0.3	V	
Latched Input Low Voltage	V <sub>IL_LI</sub>	Single-ended Latched Inputs	V <sub>SS</sub> - 0.3		0.8	V	
Input Leakage Current	I <sub>IN</sub>	V <sub>IN</sub> = V <sub>DD</sub> , V <sub>IN</sub> = GND	-5		5	uA	2
Operating Supply Current	I <sub>DDOP3.3</sub>	All outputs loaded and running		119	155	mA	
Input Frequency	F <sub>i</sub>		23	25	27	MHz	3
Pin Inductance	L <sub>pin</sub>			5	7	nH	
Input Capacitance	C <sub>IN</sub>	Logic Inputs	1.5	3	5	pF	
	C <sub>OUT</sub>	Output pin capacitance		5	6	pF	
	C <sub>INX</sub>	X1 & X2 pins		5	6	pF	
Clk Stabilization	T <sub>STAB</sub>	From VDD Power-Up or de-assertion of PD to 1st clock		3.2	5	ms	
T <sub>fall_SE</sub>	T <sub>FALL</sub>	Fall/rise time of all 3.3V control inputs from 20-80%			10	ns	1
T <sub>rise_SE</sub>	T <sub>RISE</sub>				10	ns	1
SMBus Voltage	V <sub>DD</sub>		2.7		3.3	V	
Low-level Output Voltage	V <sub>OLSMB</sub>	@ I <sub>PULLUP</sub>			0.4	V	
Current sinking at V <sub>OLSMB</sub> = 0.4 V	I <sub>PULLUP</sub>	SMB Data Pin	4			mA	
SCLK/SDATA Clock/Data Rise Time	T <sub>RI2C</sub>	(Max V <sub>IL</sub> - 0.15) to (Min V <sub>IH</sub> + 0.15)			1000	ns	
SCLK/SDATA Clock/Data Fall Time	T <sub>FI2C</sub>	(Min V <sub>IH</sub> + 0.15) to (Max V <sub>IL</sub> - 0.15)			300	ns	
SMBus Operating Frequency	F <sub>SMBUS</sub>				400	kHz	

### NOTES on DC Parameters: (unless otherwise noted, guaranteed by design and characterization, not 100% tested in production).

<sup>1</sup> Signal is required to be monotonic in this region.

<sup>2</sup> Input leakage current does not include inputs with pull-up or pull-down resistors

<sup>3</sup> For margining purposes only. Normal operation should have F<sub>in</sub> = 25MHz

## AC Electrical Characteristics - Low Power HCSL-Compatible PCIe Outputs

PARAMETER	SYMBOL	CONDITIONS	MIN	TYP	MAX	UNITS	NOTES
Clock Frequency	f	Spread off		100.00		MHz	2,3
				125.00		MHz	2,3
Synthesis error	ppm <sub>SSoff</sub>	PCIe 100MHz or 125MHz		0		ppm	1,2
	ppm <sub>SSon</sub>	PCIe @ -0.5% spread, 100MHz only		+/-100		ppm	1,2
Rising/Falling Edge Slew Rate	t <sub>SLEW</sub>	Differential Measurement	2.2	4.1	5.7	V/ns	1,3,6
Slew Rate Variation	t <sub>SLVAR</sub>	Single-ended Measurement		1	20	%	1,6
Maximum Output Voltage	V <sub>HIGH</sub>	Includes overshoot		793	1150	mV	6,7
Minimum Output Voltage	V <sub>LOW</sub>	Includes undershoot	-300	-22		mV	6,7
Differential Voltage Swing	V <sub>SWING</sub>	Differential Measurement	300			mV	1,6
Crossing Point Voltage	V <sub>XABS</sub>	Single-ended Measurement	300	419	550	mV	1,4,6
Crossing Point Variation	V <sub>XABSVAR</sub>	Single-ended Measurement		115	140	mV	1,4,5
Duty Cycle	D <sub>CYC</sub>	Differential Measurement	45	50.1	55	%	1
PCIe Jitter - Cycle to Cycle	PCIe <sub>JC2C</sub>	Differential Measurement		36	125	ps	1
PCIe[5:0] Skew	T <sub>SKEWPCIe50</sub>	Differential Measurement		1172	1500	ps	1,6,8
Spread Spectrum Modulation Frequency	f <sub>SSMOD</sub>	Triangular Modulation	30	31.5	33	kHz	

### Notes for PCIe Clocks:

- Guaranteed by design and characterization, not 100% tested in production.
- Clock Frequency specifications are guaranteed assuming that REF is at 25MHz
- Slew rate measured through V<sub>swing</sub> voltage range centered about differential zero
- V<sub>cross</sub> is defined at the voltage where Clock = Clock#.
- Only applies to the differential rising edge (Clock rising, Clock# falling.)
- At default SMBus settings.
- The Freescale P-series CPU's have internal terminations on their SerDes Reference Clock inputs. The resulting amplitude at these inputs will be 1/2 of the values listed, which are well within the 800mV Freescale specification for these inputs.
- This value includes an intentional output-to-output skew of approximately 250ps.

## Electrical Characteristics - Phase Jitter, PCIe Outputs at 100MHz

PARAMETER	SYMBOL	CONDITIONS	MIN	TYP	MAX	INDUSTRY SPEC LIMIT	UNITS	NOTES
Jitter, Phase	t <sub>jphPCIe1</sub>	PCIe Gen 1 phase jitter		35	56	86	ps	1,2,3
	t <sub>jphPCIe2Lo</sub>	PCIe Gen 2 phase jitter Lo-band content		1.6	2.4	3	ps (RMS)	1,2,3
	t <sub>jphPCIe2Hi</sub>	PCIe Gen 2 phase jitter Hi-band content		1.9	2.8	3.1	ps (RMS)	1,2,3
	t <sub>jphPCIe3</sub>	PCIe Gen 3 phase jitter		0.5	0.83	1	ps (RMS)	1,2,3

### Notes on Phase Jitter:

- See <http://www.pcisig.com> for complete specs. Guaranteed by design and characterization, not tested in production.
- Sample size of at least 100K cycles. This figures extrapolates to 108ps pk-pk @ 1M cycles for a BER of 1<sup>-12</sup>
- Applies to PCIe outputs @ default amplitude and 100MHz with spread off or at -0.5%.

## Electrical Characteristics - DDR Clock

PARAMETER	SYMBOL	CONDITIONS	MIN	TYP	MAX	UNITS	NOTES
DDR Clock Frequency	$f_{DDR66.66}$	SEL100#_66 = 1, $V_T = OVDD/2 V$		66.666		MHz	2,3,6
	$f_{DDR100}$	SEL100#_66 = 0, $V_T = OVDD/2 V$		100.00		MHz	2,3,6
Synthesis error	ppm <sub>SSoff</sub>	Spread off		0		ppm	1,2,5
	ppm <sub>SSon</sub>	Spread on		+/-150		ppm	1,2,5
Output High Voltage	$V_{OH}$	$V_{OH}$ at the selected operating frequency	2.4			V	1
Output Low Voltage	$V_{OL}$	$V_{OL}$ at the selected operating frequency			0.4	V	1
Slew Rate VDDO = 3.3V	$t_{SLEW00}$	'00' = Hi-Z		Hi-Z		V/ns	
	$t_{SLEW01}$	'01' Slow Slew Rate (Averaging on)	1.1	1.6	2.3	V/ns	1,3,8
	$t_{SLEW10}$	'10' Fast Slew Rate (Averaging on)	1.6	2.3	3.2	V/ns	1,3,8
	$t_{SLEW11}$	'11' Fastest Slew Rate (Averaging on)	1.8	2.7	3.7	V/ns	1,3,8
Duty Cycle	$d_{t1}$	$V_T = OVDD/2 V$	40	51.4	60	%	1,6
Jitter, Peak period jitter	$t_{jpeak}$	$V_T = OVDD/2 V$		±96	±150	ps	1,6
Phase Noise	$t_{phasenoise}$	-56dBc		10	500	kHz	1,7
AC Input Swing Limits @ 3.3V OV <sub>DD</sub>	$T V_{AC}$	This is the difference between $V_{OL}$ and $V_{OH}$ at the selected operating frequency.	1.9	3.4		V	1
Spread Spectrum Modulation Frequency	$f_{SSMOD}$	Triangular Modulation	30	32.3	60	kHz	

## Electrical Characteristics - Sys\_CCB

PARAMETER	SYMBOL	CONDITIONS	MIN	TYP	MAX	UNITS	NOTES
Clock Frequency	$f_{Sys\_CCB}$	FS(1:0) = 00, $V_T = OVDD/2 V$		66.666		MHz	2,3,6
		FS(1:0) = 01, $V_T = OVDD/2 V$		100.00		MHz	2,3,6
		FS(1:0) = 10, $V_T = OVDD/2 V$		80.00		MHz	2,3,6
		FS(1:0) = 11, $V_T = OVDD/2 V$		83.333		MHz	2,3,6
Synthesis error	ppm <sub>SSoff</sub>	Spread off		0		ppm	1,2,5
	ppm <sub>SSon</sub>	Spread on		+/-150		ppm	1,2,5
Output High Voltage	$V_{OH}$	$V_{OH}$ at the selected operating frequency	2.4			V	1
Output Low Voltage	$V_{OL}$	$V_{OL}$ at the selected operating frequency			0.4	V	1
Slew Rate VDDO = 3.3V	$t_{SLEW00}$	'00' = Hi-Z		Hi-Z		V/ns	
	$t_{SLEW01}$	'01' Slow Slew Rate (Averaging on)	0.8	1.4	2.1	V/ns	1,3,8
	$t_{SLEW10}$	'10' Fast Slew Rate (Averaging on)	0.9	1.6	2.5	V/ns	1,3,8
	$t_{SLEW11}$	'11' Fastest Slew Rate (Averaging on)	1.1	1.9	3.1	V/ns	1,3,8
Duty Cycle	$d_{t1}$	$V_T = OVDD/2 V$	40	51.4	60	%	1,6
Jitter, Peak period jitter	$t_{jpeak}$	$V_T = OVDD/2 V$ , SSC < 0.75%		±116	±150	ps	1
Phase Noise	$t_{phasenoise}$	-56dBc		10	500	kHz	1,7
AC Input Swing Limits @ 3.3V OV <sub>DD</sub>	$-V_{AC}$	This is the difference between $V_{OL}$ and $V_{OH}$ at the selected operating frequency.	1.9			V	1
Spread Spectrum Modulation Frequency	$f_{SSMOD}$	Triangular Modulation	0	31.5	60	kHz	

## Electrical Characteristics - 125M

PARAMETER	SYMBOL	CONDITIONS	MIN	TYP	MAX	UNITS	NOTES
Clock frequency	$f_{125M}$	$V_T = OVDD/2 V$		125.00		ns	2,3,6
Synthesis error	ppm			0		ppm	1,2,5
Output High Voltage	$V_{OH}$	$V_{OH}$ at the selected operating frequency	2.2			V	1
Output Low Voltage	$V_{OL}$	$V_{OL}$ at the selected operating frequency			0.5	V	1
Rise/Fall time VDDO = 3.3V	$t_{RF125M3.3V}$	Measured between 0.6V and 2.7V		0.7	1	ns	1,3
Duty Cycle	$d_{t1}$	$V_T = OVDD/2 V$	47	52	53	%	1
Jitter, Peak period jitter	$t_{jpeak}$	$V_T = OVDD/2 V$			±150	ps	1



## Electrical Characteristics - REF(5:0)

PARAMETER	SYMBOL	CONDITIONS	MIN	TYP	MAX	UNITS	NOTES
Clock Frequency	f	$V_T = OVDD/2 V$		25.00		MHz	2,3
Crystal Frequency Error	ppm	Including all aging and tuning effects	-50		50	ppm	1,2
Output High Voltage	$V_{OH}$	$V_{OH}$ at the selected operating frequency	2.2			V	1
Output Low Voltage	$V_{OL}$	$V_{OL}$ at the selected operating frequency			0.4	V	1
Slew Rate	$t_{SLEW}$	'00' = Hi-Z	1.0	1.7	2.7	V/ns	1,3,4
Duty Cycle	$d_{t1}$	$V_T = OVDD/2 V$	40	51	60	%	1
Pin to Pin Skew	$t_{skew}$	$V_T = 1.5 V$ , odd/even outputs have an intentional 180degree phase shift.		N/A		ps	1
Jitter, Peak period jitter	$t_{jpeak}$	$V_T = OVDD/2 V$		±78	±200	ps	1
Jitter, Phase	$t_{jphase}$	(12kHz-5MHz), $V_T = 1.5 V$		1.7	3	ps rms	1

## Electrical Characteristics - USB\_CLK(2:1)

PARAMETER	SYMBOL	CONDITIONS	MIN	TYP	MAX	UNITS	NOTES
Clock Frequency	$f_{USB\_CLK}$	$V_T = OVDD/2 V$		12.00		MHz	2,3
				24.00		MHz	2,3
Synthesis error	ppm			0		ppm	1,2,5
Output High Voltage	$V_{OH}$	$V_{OH}$ at the selected operating frequency	2.2			V	1
Output Low Voltage	$V_{OL}$	$V_{OL}$ at the selected operating frequency			0.4	V	1
Slew Rate VDDO = 3.3V	$t_{SLEW00}$	'00' = Hi-Z		Hi-Z		V/ns	
	$t_{SLEW01}$	'01' Slow Slew Rate (Averaging on)	1.0	1.4	1.8	V/ns	1,3,4
	$t_{SLEW10}$	'10' Fast Slew Rate (Averaging on)	1.5	2.0	2.7	V/ns	1,3,4
	$t_{SLEW11}$	'11' Fastest Slew Rate (Averaging on)	1.8	2.3	3.1	V/ns	1,3,4
Duty Cycle	$d_{t1}$	$V_T = OVDD/2 V$	45	50.3	55	%	1
Jitter, RMS	$t_{jRMS}$	12kHz to Nyquist		23	120	ps	1
Jitter, Cycle to cycle	$t_{jcy-cyc}$	$V_T = OVDD/2 V$		142	350	ps	1

## Electrical Characteristics - 2.048M(1:0)

PARAMETER	SYMBOL	CONDITIONS	MIN	TYP	MAX	UNITS	NOTES
Clock Frequency	$f_{USB\_CLK}$	$V_T = OVDD/2 V$		2.048		MHz	2,3,6
Synthesis error	ppm			0		ppm	1,2,5
Output High Voltage	$V_{OH}$	$V_{OH}$ at the selected operating frequency	2.2			V	1
Output Low Voltage	$V_{OL}$	$V_{OL}$ at the selected operating frequency			0.4	V	1
Slew Rate VDDO = 3.3V	$t_{SLEW00}$	'00' = Hi-Z		Hi-Z		V/ns	
	$t_{SLEW01}$	'01' Slow Slew Rate (Averaging on)	1.1	1.7	2.5	V/ns	1,3,4
	$t_{SLEW10}$	'10' Fast Slew Rate (Averaging on)	1.6	2.3	3.2	V/ns	1,3,4
	$t_{SLEW11}$	'11' Fastest Slew Rate (Averaging on)	1.8	2.6	3.6	V/ns	1,3,4
Duty Cycle	$d_{t1}$	$V_T = OVDD/2 V$	45	46.7	55	%	1
Pin to Pin Skew	$t_{skew}$	$V_T = OVDD/2 V$		108	250	ps	1
Jitter, RMS	$t_{jRMS}$	12kHz to Nyquist		47	70	ps	1
Jitter, Peak period jitter	$t_{jpeak}$	$V_T = OVDD/2 V$		±170	±250	ps	1

### Notes for single-ended clocks:

- <sup>1</sup> Guaranteed by design and characterization, not 100% tested in production.
- <sup>2</sup> Clock Frequency specifications are guaranteed assuming that REF is at 25MHz
- <sup>3</sup> At default SMBus settings
- <sup>4</sup> Measured between 20% and 80% of OVDD
- <sup>5</sup> This is the frequency error with respect to the crystal frequency.
- <sup>6</sup> Measured at the rising and/or falling edge at OVDD/2 V.
- <sup>7</sup> Phase noise is calculated as the FFT of the TIE jitter.
- <sup>8</sup> Slew rate is measured from  $\pm 0.3\Delta V_{AC}$  at the center of peak to peak voltage at the clock input.

## General SMBus Serial Interface Information for 6V49205B

### How to Write

- Controller (host) sends a start bit
- Controller (host) sends the write address
- IDT clock will **acknowledge**
- Controller (host) sends the beginning byte location = N
- IDT clock will **acknowledge**
- Controller (host) sends the byte count = X
- IDT clock will **acknowledge**
- Controller (host) starts sending **Byte N through Byte N+X-1**
- IDT clock will **acknowledge** each byte **one at a time**
- Controller (host) sends a Stop bit

Index Block Write Operation		
Controller (Host)		IDT (Slave/Receiver)
T	starT bit	
Slave Address D <sub>2(H)</sub>		
WR	WRite	
		ACK
Beginning Byte = N		
		ACK
Data Byte Count = X		
		ACK
Beginning Byte N	X Byte	ACK
○		○
○		○
○		○
○		○
Byte N + X - 1		
		ACK
P	stoP bit	

**Note: I<sup>2</sup>C compatible.** Native mode is SMBus Block mode protocol. To use I<sup>2</sup>C Byte mode set the 2<sup>7</sup> bit in the command Byte. No Byte count is used.

### How to Read

- Controller (host) will send a start bit
- Controller (host) sends the write address
- IDT clock will **acknowledge**
- Controller (host) sends the beginning byte location = N
- IDT clock will **acknowledge**
- Controller (host) will send a separate start bit
- Controller (host) sends the read address
- IDT clock will **acknowledge**
- IDT clock will send the data byte count = X
- IDT clock sends **Byte N+X-1**
- IDT clock sends **Byte 0 through Byte X (if X<sub>(H)</sub> was written to Byte 8)**
- Controller (host) will need to acknowledge each byte
- Controller (host) will send a not acknowledge bit
- Controller (host) will send a stop bit

Index Block Read Operation		
Controller (Host)		IDT (Slave/Receiver)
T	starT bit	
Slave Address D <sub>2(H)</sub>		
WR	WRite	
		ACK
Beginning Byte = N		
		ACK
RT	Repeat starT	
Slave Address D <sub>3(H)</sub>		
RD	ReaD	
		ACK
		Data Byte Count=X
ACK		
ACK		Beginning Byte N
○		○
○		○
○		○
○		
		Byte N + X - 1
N	Not acknowledge	
P	stoP bit	

### Byte 0 Frequency and Spread Select Register

Bit	Name	Description	Type	0	1	Default
7	SS4	Sys_CCB and DDRCLK Spread Selection Table	RW	See Table 2: Sys_CCB and DDRCLK Spread Table		0
6	SS3		RW			0
5	SS2		RW			0
4	SS1	PCIE Spread Selection Table	RW	See Table 1: PCIE Spread Table		0
3	SS0		RW			0
2	REF_5_EN	Output enable for REF_5	RW	Output Disabled	Output Enabled	1
1	REF_4_EN	Output enable for REF_4	RW	Output Disabled	Output Enabled	1
0	REF_3_EN	Output enable for REF_5	RW	Output Disabled	Output Enabled	1

### Byte 1 Output Enable Register

Bit	Name	Description	Type	0	1	Default
7	REF_2_EN	Output enable for REF_2	RW	Output Disabled	Output Enabled	1
6	REF_1_EN	Output enable for REF_1	RW	Output Disabled	Output Enabled	1
5	REF_0_EN	Output enable for REF_0	RW	Output Disabled	Output Enabled	1
4	USB_CLK1_EN	Output enable for USB_CLK1	RW	Output Disabled	Output Enabled	1
3	USB_CLK2_EN	Output enable for USB_CLK2	RW	Output Disabled	Output Enabled	1
2	CK2.048_0_EN	Output enable for CK2.048_0	RW	Output Disabled	Output Enabled	1
1	CK2.048_1_EN	Output enable for CK2.048_1	RW	Output Disabled	Output Enabled	1
0	DDRCLK_EN	Output enable for DDRCLK	RW	Output Disabled	Output Enabled	1

### Byte 2 Output Enable Register

Bit	Name	Description	Type	0	1	Default
7	Sys_CCB_EN	Output enable for Sys_CCB	RW	Output Disabled	Output Enabled	1
6	PCle5_EN	Output enable for PCle5	RW	Output Disabled	Output Enabled	1
5	PCle4_EN	Output enable for PCle4	RW	Output Disabled	Output Enabled	1
4	PCle3_EN	Output enable for PCle3	RW	Output Disabled	Output Enabled	1
3	PCle2_EN	Output enable for PCle2	RW	Output Disabled	Output Enabled	1
2	PCle1_EN	Output enable for PCle1	RW	Output Disabled	Output Enabled	1
1	PCle0_EN	Output enable for PCle0	RW	Output Disabled	Output Enabled	1
0	125M_EN	Output enable for 125M	RW	Output Disabled	Output Enabled	1

### Byte 3 Slew Rate Control Register

Bit	Name	Description	Type	0	1	Default
7	USB1_SLEW1	USB_CLK1 Slew Rate Control	RW	See USB Electrical Tables		0
6	USB1_SLEW0		RW			1
5	USB2_SLEW1	USB_CLK2 Slew Rate Control	RW	See USB Electrical Tables		0
4	USB2_SLEW0		RW			1
3	CK2.048_SLEW1	CK2.048_0 and CK2.048_1 Slew Rate Control	RW	See CK2.048 Electrical Tables		1
2	CK2.048_SLEW0		RW			1
1	Sys_CCB_SLEW1	Sys_CCB Slew Rate Control	RW	See Sys_CCB Electrical Tables		0
0	Sys_CCB_SLEW0		RW			1

### Byte 4 Slew Rate Control Register

Bit	Name	Description	Type	0	1	Default
7	DDR_Slew1	DDRCLK Slew Rate Control	RW	See DDR Electrical Tables		0
6	DDR_Slew0		RW			1
5	Reserved					0
4	Reserved					1
3	FS1	Sys_CCB Frequency Select Latch	RW	See Table 3: Sys_CCB Frequency Selection		Latch
2	FS0		RW			Latch
1	USB1_fSel	USB_CLK1 Clock Frequency Select	RW	12MHz	24MHz	0
0	USB2_fSel	USB_CLK2 Clock Frequency Select	RW	12MHz	24MHz	1

Byte 5 is Reserved

**Byte 6 PCI Express Amplitude Control Register**

Bit	Name	Description	Type	0	1	Default
7	PCIE_AMP1	PCI Express Amplitude Control	RW	See Table 4: PCIe Amplitude Selection Table		0
6	PCIE_AMP0		RW			1
5	SEL100#_66	DDRCLK latch select	R	100MHz	66MHz	latch
4	SELPCIE125#_100	PCI Express latch select	R	125MHz	100MHz	latch
3	Reserved	Reserved	RW	-	-	0
2	Reserved	Reserved	RW	-	-	1
1	Reserved	Reserved	RW	-	-	0
0	Reserved	Reserved	RW	-	-	1

**Byte 7 Revision and Vendor ID Register**

Bit	Name	Description	Type	0	1	Default
7	REV ID	Revision ID	R	-	-	0
6	REV ID		R	-	-	0
5	REV ID		R	-	-	0
4	REV ID		R	-	-	1
3	Vendor ID	Vendor ID	R	-	-	0
2	Vendor ID		R	-	-	0
1	Vendor ID		R	-	-	0
0	Vendor ID		R	-	-	1

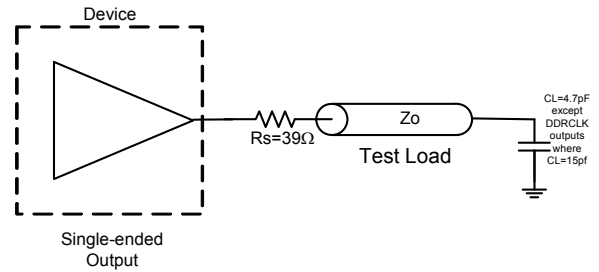
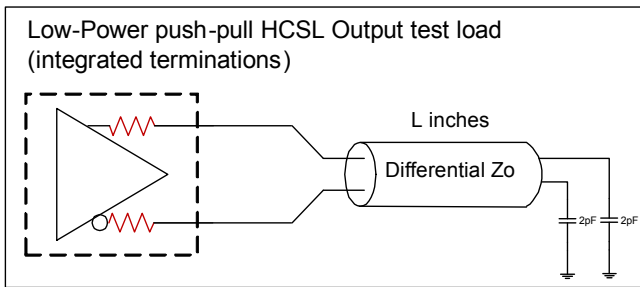
**Byte 8 Byte Count Register**

Bit	Name	Description	Type	0	1	Default
7	BC7	Byte Count Programming b(7:0)	RW	Writing to this register will configure how many bytes will be read back.		0
6	BC6		RW			0
5	BC5		RW			0
4	BC4		RW			0
3	BC3		RW			0
2	BC2		RW			1
1	BC1		RW			0
0	BC0		RW			1

**Recommended Crystal Characteristics**

PARAMETER	VALUE	UNITS	NOTES
Frequency	25	MHz	1
Resonance Mode	Fundamental	-	1
Frequency Tolerance @ 25°C	±20	PPM Max	1
Frequency Stability, ref @ 25°C Over Operating Temperature Range	±20	PPM Max	1
Temperature Range (commercial)	0~70	°C	1
Temperature Range (industrial)	-40~85	°C	1
Equivalent Series Resistance (ESR)	50	Ω Max	1
Shunt Capacitance (C <sub>0</sub> )	7	pF Max	1
Load Capacitance (C <sub>L</sub> )	8	pF Max	1
Drive Level	0.1	mW Max	1
Aging per year	±5	PPM Max	1

## Test Loads



Differential Test Load, Zo = 100ohm, L = 5 inches

## Thermal Characteristics (48-TSSOP) PAG48

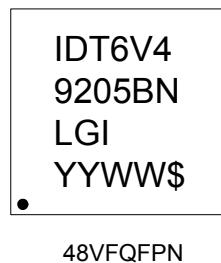
PARAMETER	SYMBOL	CONDITIONS	PKG	TYP VALUE	UNITS	NOTES
Thermal Resistance	$\theta_{JC}$	Junction to Case	PAG48	28	°C/W	1
	$\theta_{Jb}$	Junction to Base		42	°C/W	1
	$\theta_{JA0}$	Junction to Air, still air		62	°C/W	1
	$\theta_{JA1}$	Junction to Air, 1 m/s air flow		54	°C/W	1
	$\theta_{JA3}$	Junction to Air, 3 m/s air flow		51	°C/W	1

## Thermal Characteristics (48-VFQFPN) NLG48

PARAMETER	SYMBOL	CONDITIONS	PKG	TYP VALUE	UNITS	NOTES
Thermal Resistance	$\theta_{JC}$	Junction to Case	NLG48	25	°C/W	1
	$\theta_{Jb}$	Junction to Base		3.1	°C/W	1
	$\theta_{JA0}$	Junction to Air, still air		32	°C/W	1
	$\theta_{JA1}$	Junction to Air, 1 m/s air flow		25	°C/W	1
	$\theta_{JA3}$	Junction to Air, 3 m/s air flow		22	°C/W	1

<sup>1</sup>ePad soldered to board

## Marking Diagrams



Notes:

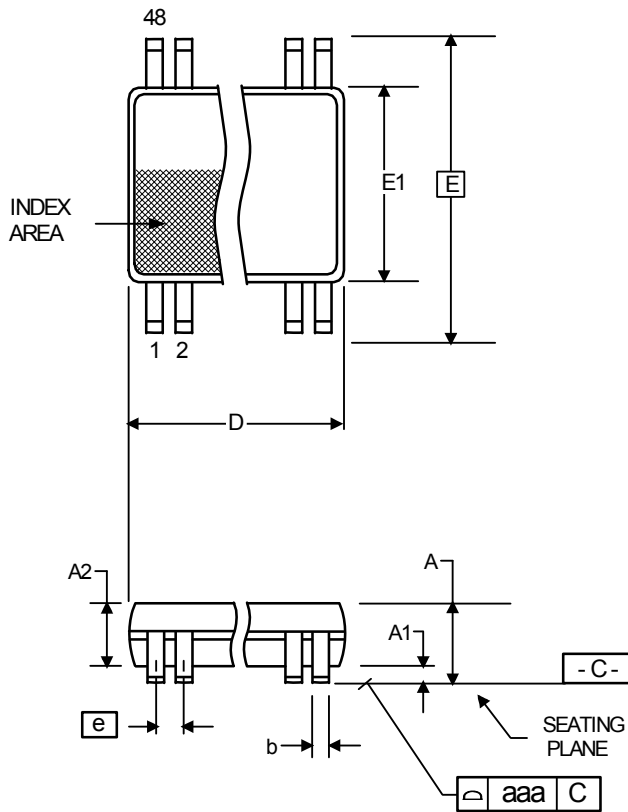
- '\$' is the mark code.
- YYWW is the last two digits of the year, and the week number that the part was assembled.
- "G" after the two-letter package code denotes Pb free package.
- "I" denotes industrial temperature range.
- Bottom marking for TSSOP: country of origin if not USA.

## Package Outline and Package Dimensions (NLG48, 48-pin 7mm x 7mm VFQFPN)

Symbol	Millimeters	
	Min	Max
A	0.80	0.90
A1	0	0.05
A3	0.20 Reference	
b	0.18	0.30
e	0.50 BASIC	
N	48	
N <sub>D</sub>	12	
N <sub>E</sub>	12	
D x E BASIC	7.00 x 7.00	
D1	5.50 BASIC	
E1	5.50 BASIC	
D2	5.50	5.80
E2	5.50	5.80
ZD	0.75 BASIC	
ZE	0.75 BASIC	
L	0.35	0.45

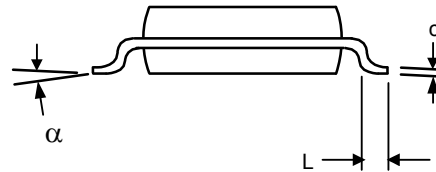
## Package Outline and Package Dimensions (PAG48, 48-pin TSSOP, 6.10 mm Body, 0.50 Pitch)

Package dimensions are kept current with JEDEC Publication No. 95



Symbol	Millimeters		Inches*	
	Min	Max	Min	Max
A	--	1.20	--	0.047
A1	0.05	0.15	0.002	0.006
A2	0.80	1.05	0.032	0.041
b	0.17	0.27	0.007	0.011
c	0.09	0.20	0.0035	0.008
D	12.40	12.60	0.488	0.496
E	8.10 BASIC		0.319 BASIC	
E1	6.00	6.20	0.236	0.244
e	0.50 Basic		0.020 Basic	
L	0.45	0.75	0.018	0.030
$\alpha$	0°	8°	0°	8°
aaa	--	0.10	--	0.004

\*For reference only. Controlling dimensions in mm.



## Ordering Information

Part / Order Number	Marking	Shipping Packaging	Package	Temperature
6V49205BPAGI	see page 12	Tubes	48-pin TSSOP	-40 to +85°C
6V49205BPAGI8		Tape and Reel	48-pin TSSOP	-40 to +85°C
6V49205BNLGI	see page 12	Tray	48-pin VFQFPN	-40 to +85°C
6V49205BNLGI8		Tape and Reel	48-pin VFQFPN	-40 to +85°C

“G” after the two-letter package code denotes Pb-Free configuration, RoHS compliant.

## Revision History

Rev.	Issue Date	Issuer	Description	Page #
L	9/12/2013	V. Chaudhry	1. Updated pins 12, 20, 33 and 42 in pinouts and pin descriptions.	Various
M	12/9/2013	R. Wade	1. Extensive overhaul of Electrical tables to more closely align with Freescale published specifications. 2. Updated electrical tables with characterization data. 3. Clarified SMBus registers for Slew Rate Controls 4. Moved electrical tables in front of SMBus for consistency with other data sheets. 5. Updated Thermal Data and added test loads for clarity. 6. Updated front page text 7. Minor updates to pin names (mainly power and ground) for consistency and clarity 8. Move to Final	Various
N	6/2/2014	R. Wade	1. Corrected pin description for pin 44.	3
P	8/10/2015	R. Wade	1. Updated SMBus operating frequency from 100KHz minimum to 400KHz maximum.	5
Q	5/11/2016	RDW	1. Correct PCIeT_LRn and PCIeC_LRn to be PCIeT_Ln and PCIeC_Ln to indicate that the Rs for the PCIe outputs is outside the part and to correct the pin description accordingly. The test loads for the device are correct. 2. Update block diagram PCIe pin names to be consistent.	1-3
R	11/22/2016	RDW	1. Undo Revision Q 2. PCIe outputs have integrated terminations for 100ohm differential Zo. 3. Update Test Loads 4. Update Features/Benefits	1-3, 12





**Corporate Headquarters**  
6024 Silver Creek Valley Road  
San Jose, CA 95138 USA  
[www.IDT.com](http://www.IDT.com)

**Sales**  
[www.idt.com/go/sales](http://www.idt.com/go/sales)

**Tech Support**  
[www.idt.com/go/support](http://www.idt.com/go/support)

DISCLAIMER Integrated Device Technology, Inc. (IDT) and its subsidiaries reserve the right to modify the products and/or specifications described herein at any time and at IDT's sole discretion. All information in this document, including descriptions of product features and performance, is subject to change without notice. Performance specifications and the operating parameters of the described products are determined in the independent state and are not guaranteed to perform the same way when installed in customer products. The information contained herein is provided without representation or warranty of any kind, whether express or implied, including, but not limited to, the suitability of IDT's products for any particular purpose, an implied warranty of merchantability, or non-infringement of the intellectual property rights of others. This document is presented only as a guide and does not convey any license under intellectual property rights of IDT or any third parties.

IDT's products are not intended for use in applications involving extreme environmental conditions or in life support systems or similar devices where the failure or malfunction of an IDT product can be reasonably expected to significantly affect the health or safety of users. Anyone using an IDT product in such a manner does so at their own risk, absent an express, written agreement by IDT.

Integrated Device Technology, IDT and the IDT logo are registered trademarks of IDT. Product specification subject to change without notice. Other trademarks and service marks used herein, including protected names, logos and designs, are the property of IDT or their respective third party owners.

Copyright ©2016 Integrated Device Technology, Inc.. All rights reserved.