

## 阅读申明

- 1.本站收集的数据手册和产品资料都来自互联网，版权归原作者所有。如读者和版权方有任何异议请及时告之，我们将妥善解决。
- 2.本站提供的中文数据手册是英文数据手册的中文翻译，其目的是协助用户阅读，该译文无法自动跟随原稿更新，同时也可能存在翻译上的不当。建议读者以英文原稿为参考以便获得更精准的信息。
- 3.本站提供的产品资料，来自厂商的技术支持或者使用者的心得体会等，其内容可能存在描述上的差异，建议读者做出适当判断。
- 4.如需与我们联系，请发邮件到marketing@iczoom.com，主题请标有“数据手册”字样。

## Read Statement

1. The datasheets and other product information on the site are all from network reference or other public materials, and the copyright belongs to the original author and original published source. If readers and copyright owners have any objections, please contact us and we will deal with it in a timely manner.
2. The Chinese datasheets provided on the website is a Chinese translation of the English datasheets. Its purpose is for reader's learning exchange only and do not involve commercial purposes. The translation cannot be automatically updated with the original manuscript, and there may also be improper translations. Readers are advised to use the English manuscript as a reference for more accurate information.
3. All product information provided on the website refer to solutions from manufacturers' technical support or users the contents may have differences in description, and readers are advised to take the original article as the standard.
4. If you have any questions, please contact us at marketing@iczoom.com and mark the subject with "Datasheets" .

# 1 OUTPUT PCIe GEN1/2/3 SYNTHESIZER

5V41234

## Typical Applications

One output synthesizer for PCIe Gen1/2/3

## Description

The 5V41234 is a PCIe Gen2/3 compliant spread spectrum capable clock generator. The device has 1 differential HCSL output and can be used in communication or embedded systems to substantially reduce electro-magnetic interference (EMI). Spread spectrum can be enabled via a select pin.

## Output Features

- 1 - 0.7V current mode differential HCSL output pairs

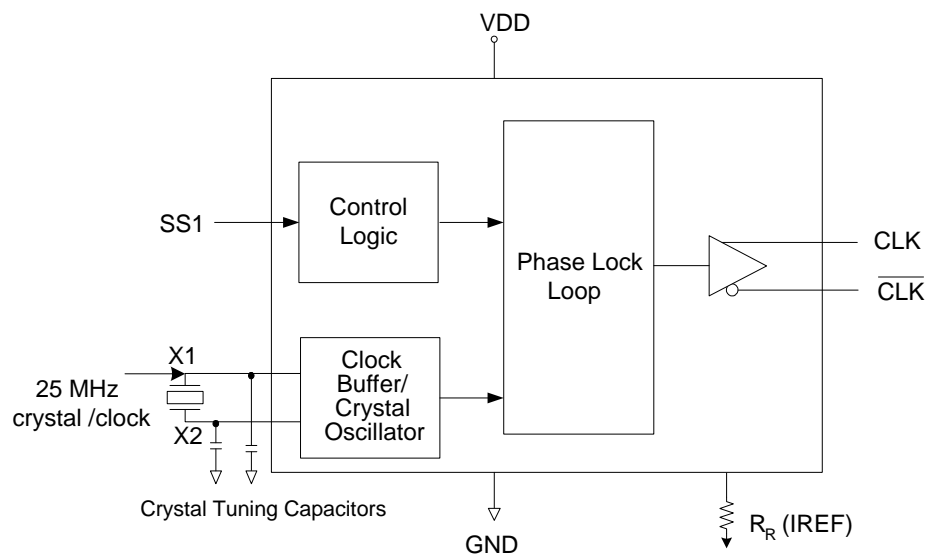
## Features

- 3 x 3 mm 16-QFN package; very small board footprint
- Spread-spectrum capable; reduces EMI
- Outputs can be terminated to LVDS; can drive a wider variety of devices
- Spread enable via pin selection; no software required to configure device
- Industrial temperature range available; supports demanding embedded applications

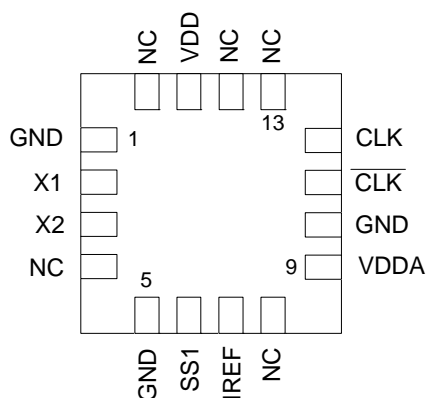
## Key Specifications

- Cycle-to-cycle jitter < 100 ps
- PCIe Gen2 phase jitter < 3.0ps RMS
- PCIe Gen3 phase jitter < 1.0ps RMS

## Block Diagram



## Pin Assignment



16-pin QFN

## Spread Spectrum Select Table

SS1	Spread%
0	-0.5% down
1	No spread

## Pin Descriptions

Pin Number	Pin Name	Pin Type	Pin Description
1	GND	Power	Connect to ground.
2	X1	XI	Crystal or clock input. Connect to 25MHz crystal or single-ended clock.
3	X2	XO	Crystal connection. Connect to parallel mode crystal. Leave floating if X1 is driven by single-ended clock.
4	NC	–	No connect.
5	GND	Power	Connect to ground.
6	SS1	Input	Spread Select 1. See table above. Internal pull-up resistor.
7	IREF	Output	475Ω precision resistor must be attached to this pin, which is connected to internal current source.
8	NC	–	No connect.
9	VDDA	Power	Connect to 3.3V and filter as analog supply.
10	GND	Power	Connect to ground.
11	$\overline{\text{CLK}}$	Output	HCSL complementary output clock.
12	CLK	Output	HCSL true output clock.
13	NC	–	No connect.
14	NC	–	No connect.
15	VDD	Power	Connect to 3.3V for OSC and digital circuits.
16	NC	–	No connect.

## Applications Information

### External Components

A minimum number of external components are required for proper operation.

### Decoupling Capacitors

Decoupling capacitors of  $0.01\mu\text{F}$  should be connected between VDD and the ground plane (pin 4) as close to the VDD pin as possible. Do not share ground vias between components. Route power from power source through the capacitor pad and then into IDT pin.

### Crystal

A 25 MHz fundamental mode parallel resonant crystal with  $C_L = 16\text{pF}$  should be used. This crystal must have less than 300 ppm of error across temperature in order for the 5V41234 to meet PCI Express specifications.

### Crystal Capacitors

Crystal capacitors are connected from pins X1 to ground and X2 to ground to optimize the accuracy of the output frequency.

$C_L$  = Crystal's load capacitance in pF

Crystal Capacitors (pF) =  $(C_L - 8) * 2$

For example, for a crystal with a 16 pF load cap, each external crystal cap would be  $16\text{pF}$ .  $(16-8)*2=16$ .

Current Source (Iref) Reference Resistor -  $R_R$

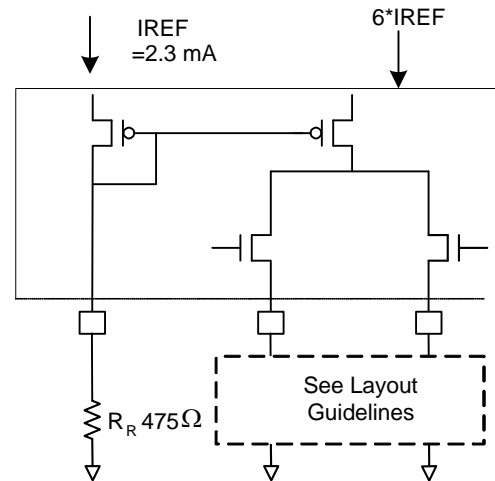
If board target trace impedance (Z) is  $50\Omega$ , then  $R_R = 475\Omega$  (1%), providing IREF of 2.32mA. The output current ( $I_{OH}$ ) is equal to  $6*I_{REF}$ .

### Output Termination

The PCI-Express differential clock outputs of the 5V41234 are open source drivers and require an external series resistor and a resistor to ground. These resistor values and their allowable locations are shown in detail in the **PCI-Express Layout Guidelines** section.

The 5V41234 can also be terminated to LVDS compatible voltage levels. See Layout Guidelines section.

## Output Structures



### General PCB Layout Recommendations

For optimum device performance and lowest output phase noise, the following guidelines should be observed.

1. Each  $0.01\mu\text{F}$  decoupling capacitor should be mounted on the component side of the board as close to the VDD pin as possible.
2. No vias should be used between decoupling capacitor and VDD pin.
3. The PCB trace to VDD pin should be kept as short as possible, as should the PCB trace to the ground via. Distance of the ferrite bead and bulk decoupling from the device is less critical.
4. An optimum layout is one with all components on the same side of the board, minimizing vias through other signal layers (any ferrite beads and bulk decoupling capacitors can be mounted on the back). Other signal traces should be routed away from the 5V41234. This includes signal traces just underneath the device, or on layers adjacent to the ground plane layer used by the device.

## Layout Guidelines for PCI Express

PCIe Reference Clock			
Common Recommendations for Differential Routing	Dimension or Value	Unit	Figure
L1 length, route as non-coupled 50ohm trace	0.5 max	inch	1
L2 length, route as non-coupled 50ohm trace	0.2 max	inch	1
L3 length, route as non-coupled 50ohm trace	0.2 max	inch	1
$R_s$	33	ohm	1
$R_t$	49.9	ohm	1

Down Device Differential Routing			
L4 length, route as coupled microstrip 100ohm differential trace	2 min to 16 max	inch	1
L4 length, route as coupled stripline 100ohm differential trace	1.8 min to 14.4 max	inch	1

Differential Routing to PCI Express Connector			
L4 length, route as coupled microstrip 100ohm differential trace	0.25 to 14 max	inch	2
L4 length, route as coupled stripline 100ohm differential trace	0.225 min to 12.6 max	inch	2



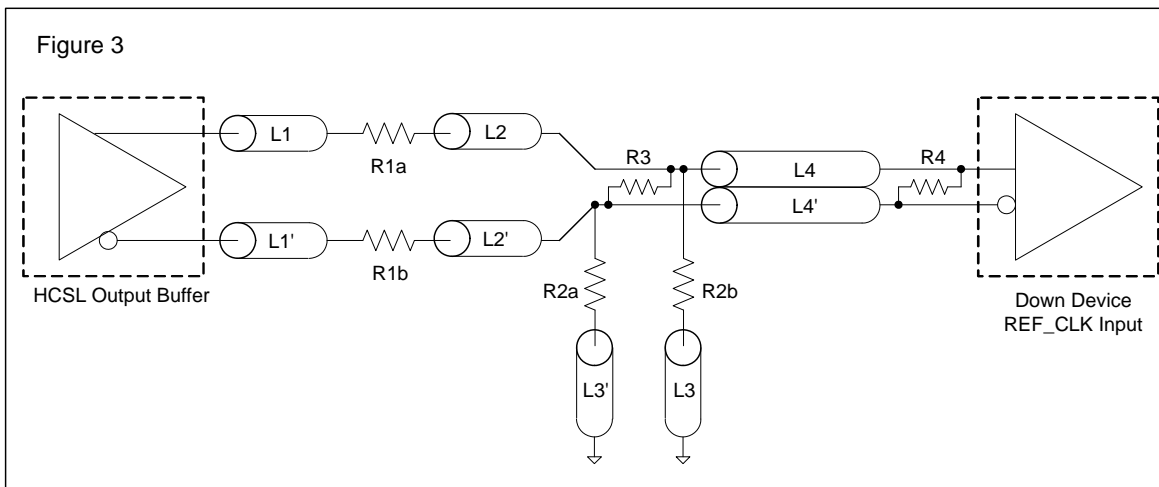
## Layout Guidelines for LVDS and Other Applications

**Alternative Termination for LVDS and other Common Differential Signals (figure 3)**

Vdiff	Vp-p	Vcm	R1	R2	R3	R4	Note
0.45v	0.22v	1.08	33	150	100	100	
0.58	0.28	0.6	33	78.7	137	100	
0.80	0.40	0.6	33	78.7	none	100	ICS874003i-02 input compatible
0.60	0.3	1.2	33	174	140	100	Standard LVDS

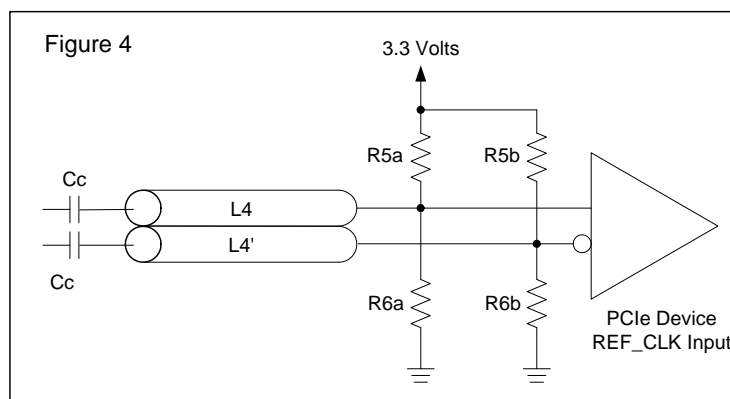
R1a = R1b = R1

R2a = R2b = R2

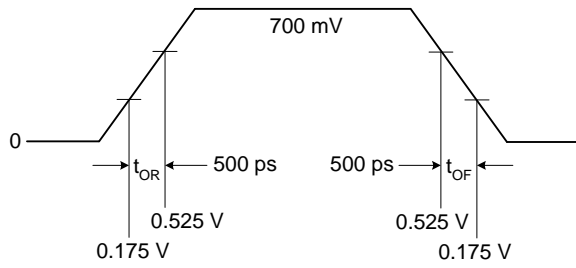


**Cable Connected AC Coupled Application (figure 4)**

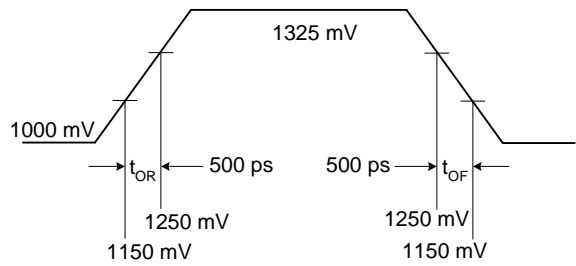
Component	Value	Note
R5a, R5b	8.2K 5%	
R6a, R6b	1K 5%	
Cc	0.1 $\mu$ F	
Vcm	0.350 volts	



## Typical PCI-Express (HCSL) Waveform



## Typical LVDS Waveform



## Absolute Maximum Ratings

Stresses above the ratings listed below can cause permanent damage to the 5V41234. These ratings are stress ratings only. Functional operation of the device at these or any other conditions above those indicated in the operational sections of the specifications is not implied. Exposure to absolute maximum rating conditions for extended periods can affect product reliability. Electrical parameters are guaranteed only over the recommended operating temperature range.

Item	Rating
Supply Voltage, VDD, VDDA	5.5V
All Inputs and Outputs	-0.5V to VDD+0.5V
Ambient Operating Temperature (commercial)	0 to +70°C
Ambient Operating Temperature (industrial)	-40 to +85°C
Storage Temperature	-65 to +150°C
Junction Temperature	125°C
Soldering Temperature	260°C
ESD Protection (Input)	2000V min. (HBM)

## DC Electrical Characteristics

Unless stated otherwise, VDD = 3.3V ±5%, Ambient Temperature -40 to +85°C

Parameter	Symbol	Conditions	Min.	Typ.	Max.	Units
Supply Voltage	V		3.135		3.465	
Input High Voltage <sup>1</sup>	V <sub>IH</sub>		2.2		VDD +0.3	V
Input Low Voltage <sup>1</sup>	V <sub>IL</sub>		VSS-0.3		0.8	V
Input Leakage Current <sup>2</sup>	I <sub>IL</sub>	0 < Vin < VDD	-5		5	μA
Operating Supply Current	I <sub>DD</sub>	2pF load			70	mA
Input Capacitance	C <sub>IN</sub>	Input pin capacitance			7	pF
Output Capacitance	C <sub>OUT</sub>	Output pin capacitance			6	pF
Pin Inductance	L <sub>PIN</sub>				5	nH
Output Resistance	R <sub>out</sub>	CLK outputs	3.0			kΩ
Pull-up Resistor	R <sub>PUP</sub>	SS1		100		kΩ

1. Single edge is monotonic when transitioning through region.
2. Inputs with pull-ups/-downs are not included.



## AC Electrical Characteristics - CLK/CLK

Unless stated otherwise, VDD=3.3V ±5%, Ambient Temperature -40 to +85°C

Parameter	Symbol	Conditions	Min.	Typ.	Max.	Units
Input Frequency				25		MHz
Output Frequency				100		MHz
Output High Voltage <sup>1,2</sup>	V <sub>OH</sub>		660	700	850	mV
Output Low Voltage <sup>1,2</sup>	V <sub>OL</sub>		-150	0	27	mV
Crossing Point Voltage <sup>1,2</sup>		Absolute	250	350	550	mV
Crossing Point Voltage <sup>1,2,4</sup>		Variation over all edges		40	140	mV
Jitter, Cycle-to-Cycle <sup>1,3</sup>				25	100	ps
Rise Time <sup>1,2</sup>	t <sub>OR</sub>	From 0.175V to 0.525V	175	332	700	ps
Fall Time <sup>1,2</sup>	t <sub>OF</sub>	From 0.525V to 0.175V	175	344	700	ps
Rise/Fall Time Variation <sup>1,2</sup>				75	125	ps
Duty Cycle <sup>1,3</sup>			45	51	55	%
Stabilization Time	t <sub>STABLE</sub>	From power-up VDD = 3.3V		1.2	3.0	ms
Spread Change Time	t <sub>SPREAD</sub>	Settling period after spread change		3.0		ms

<sup>1</sup> Test setup is R<sub>S</sub>=33 ohms R<sub>P</sub>=50 ohms with 2pF, R<sub>R</sub> = 475Ω (1%).

<sup>2</sup> Measurement taken from a single-ended waveform.

<sup>3</sup> Measurement taken from a differential waveform.

<sup>4</sup> Measured at the crossing point where instantaneous voltages of both CLK and  $\overline{\text{CLK}}$  are equal.

## Electrical Characteristics - Differential Phase Jitter

T<sub>A</sub> = Commercial and Industrial, Supply Voltage VDD = 3.3 V +/-5%

PARAMETER	Symbol	Conditions	SPEC				Notes
			Min	Typ	Max	Units	
Jitter, Phase	t <sub>jphaseG1</sub>	PCIe Gen 1		28	86	ps (p-p)	1,2,3
	t <sub>jphaseG2Lo</sub>	PCIe Gen 2 10kHz < f < 1.5MHz		1.1	3	ps (RMS)	1,2,3
	t <sub>jphaseG2High</sub>	PCIe Gen 2 1.5MHz < f < Nyquist (50MHz)		1.8	3.1	ps (RMS)	1,2,3
	t <sub>jphaseG3</sub>	PCIe Gen 3		0.48	1	ps (RMS)	1,2,3

<sup>1</sup>Guaranteed by design and characterization, not 100% tested in production.

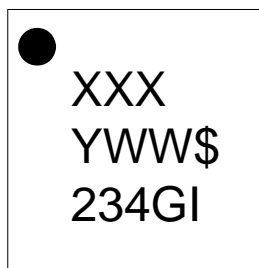
<sup>2</sup>See <http://www.pcisig.com> for complete specs

<sup>3</sup>Applies to 100MHz, spread off and 0.5% down spread only.

## Thermal Characteristics

Parameter	Symbol	Conditions	Min.	Typ.	Max.	Units
Thermal Resistance Junction to Ambient	θ <sub>JA</sub>	Still air		69.4		°C/W
	θ <sub>JA</sub>	1 m/s air flow		60.7		°C/W
	θ <sub>JA</sub>	2.5 m/s air flow		54.4		°C/W
Thermal Resistance Junction to Case	θ <sub>JC</sub>			9.7		°C/W

## Marking Diagrams

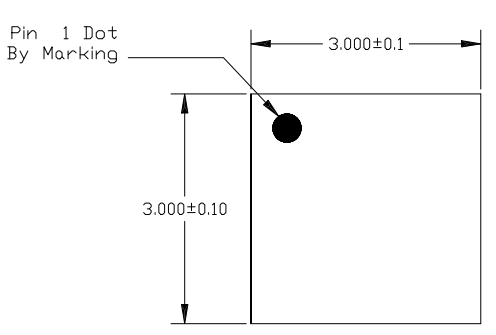


### Notes:

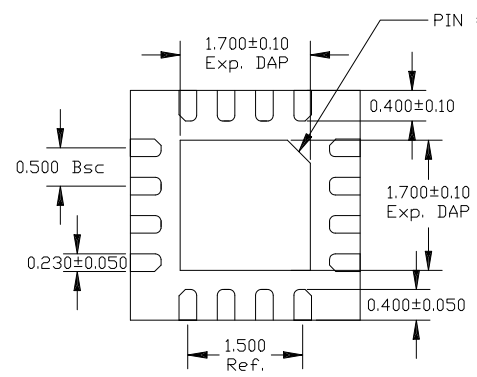
1. Line 1: "XXX" is the lot traceability (last numeric character of the assembly lot number).
2. Line 2: "YYW" – date code; "\$" – assembly location.
3. Line 3: truncated IDT part number.
4. "G" designates RoHS compliant package.
5. "I" within the part number indicates industrial temperature range.

Package Outline and Package Dimensions (3 x 3 mm 16-QFN)

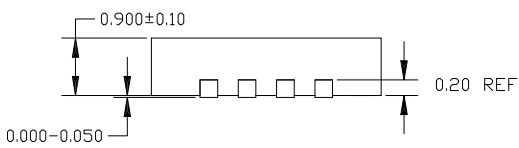
REVISIONS			
REV	DESCRIPTION	DATE	APPROVED
00	INITIAL RELEASE	10/15/08	RC
01	COMBINE POD & LAND PATTERN	9/17/13	KS



TOP VIEW




BOTTOM VIEW



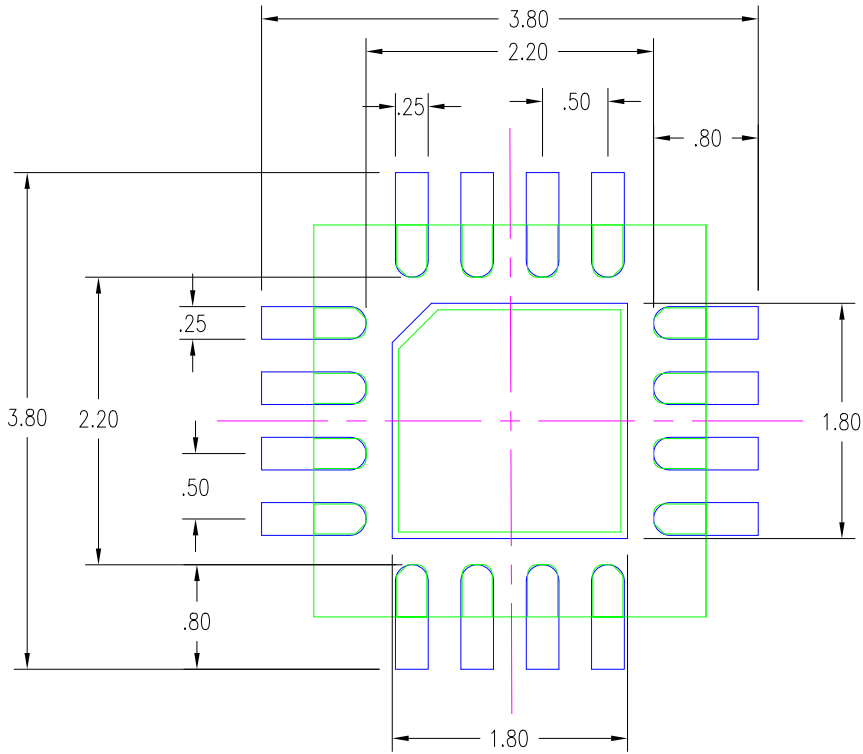
TOP VIEW

16LD QFN 3X3 (0.5MM PITCH)

TOLERANCES UNLESS SPECIFIED		 6024 Silver Creek Valley Road San Jose, CA 95138 PHONE: (408) 284-8200 FAX: (408) 284-8591 www.IDT.com
DECIMAL	ANGULAR	
XX±	±	
XXX±		
APPROVALS	DATE	TITLE
DRAWN <i>BJC</i>	10/15/08	NL/NLG16 PACKAGE OUTLINE
CHECKED		3.0 x 3.0 mm BODY
		0.5 mm PITCH QFN
SIZE	DRAWING No.	REV
C	PSC-4169	01
DO NOT SCALE DRAWING		SHEET 1 OF 2


Package Outline and Package Dimensions (3 x 3 mm 16-QFN), cont.

REVISIONS			
REV	DESCRIPTION	DATE	APPROVED
00	INITIAL RELEASE	10/15/08	RC
01	COMBINE POD & LAND PATTERN	9/17/13	KS



NOTES:

1. ALL DIMENSION ARE IN mm. ANGLES IN DEGREES.
2. TOP DOWN VIEW, AS VIEWED ON PCB.
3. COMPONENT OUTLINE SHOW FOR REFERENCE IN GREEN.
4. LAND PATTERN IN BLUE. NSMD PATTERN ASSUMED.
5. LAND PATTERN RECOMMENDATION PER IPC-7351B GENERIC REQUIREMENT FOR SURFACE MOUNT DESIGN AND LAND PATTERN.

TOLERANCES UNLESS SPECIFIED		 6024 Silver Creek Valley Road San Jose, CA 95138 PHONE: (408) 284-8200 FAX: (408) 284-8591 <a href="http://www.IDT.com">www.IDT.com</a>
DECIMAL	ANGULAR	
XX±	±	
XXX±		
XXXX±		
APPROVALS	DATE	TITLE
DRAWN <i>RC</i>	10/15/08	NL/NLG16 PACKAGE OUTLINE
CHECKED		3.0 x 3.0 mm BODY
		0.5 mm PITCH QFN
	SIZE	DRAWING No.
	C	PSC-4169
		REV
		01
DO NOT SCALE DRAWING		SHEET 2 OF 2

## Ordering Information

Part / Order Number	Marking	Shipping Packaging	Package	Temperature
5V41234NLG	See Page 9	Tubes	3 x 3 mm 16-QFN	0 to +70°C
5V41234NLG8		Tape and Reel	3 x 3 mm 16-QFN	0 to +70°C
5V41234NLGI		Tubes	3 x 3 mm 16-QFN	-40 to +85°C
5V41234NLGI8		Tape and Reel	3 x 3 mm 16-QFN	-40 to +85°C

**“G” after the two-letter package code are the Pb-Free configuration and are RoHS compliant.**

While the information presented herein has been checked for both accuracy and reliability, Integrated Device Technology (IDT) assumes no responsibility for either its use or for the infringement of any patents or other rights of third parties, which would result from its use. No other circuits, patents, or licenses are implied. This product is intended for use in normal commercial applications. Any other applications such as those requiring extended temperature range, high reliability, or other extraordinary environmental requirements are not recommended without additional processing by IDT. IDT reserves the right to change any circuitry or specifications without notice. IDT does not authorize or warrant any IDT product for use in life support devices or critical medical instruments.

## Revision History

Rev.	Date	Originator	Description of Change
A	09/26/11	RDW	Initial release.
B	11/22/11	RDW	1. Changed title to “1 Output PCIe GEN1/2/3 Synthesizer” 2. Updated Differential Phase Jitter table.
B	03/20/14	S. Lou	Corrected typo in shipping packaging section of Ordering Information table - changed “Trays” to “Tubes”.
C	05/05/17	C.P.	1. Updated package drawing to the latest NLG16 version. 2. Updated legal disclaimer.

5V41234

1 OUTPUT PCIE GEN1/2/3 SYNTHESIZER

**Innovate with IDT and accelerate your future networks. Contact:**

[www.IDT.com](http://www.IDT.com)

**For Sales**

800-345-7015

408-284-8200

Fax: 408-284-2775

[www.idt.com/go/sales](http://www.idt.com/go/sales)

**For Tech Support**

[www.idt.com/go/support](http://www.idt.com/go/support)

---

**Corporate Headquarters**

Integrated Device Technology, Inc.

[www.idt.com](http://www.idt.com)



DISCLAIMER Integrated Device Technology, Inc. (IDT) and its affiliated companies (herein referred to as "IDT") reserve the right to modify the products and/or specifications described herein at any time, without notice, at IDT's sole discretion. Performance specifications and operating parameters of the described products are determined in an independent state and are not guaranteed to perform the same way when installed in customer products. The information contained herein is provided without representation or warranty of any kind, whether express or implied, including, but not limited to, the suitability of IDT's products for any particular purpose, an implied warranty of merchantability, or non-infringement of the intellectual property rights of others. This document is presented only as a guide and does not convey any license under intellectual property rights of IDT or any third parties.

IDT's products are not intended for use in applications involving extreme environmental conditions or in life support systems or similar devices where the failure or malfunction of an IDT product can be reasonably expected to significantly affect the health or safety of users. Anyone using an IDT product in such a manner does so at their own risk, absent an express, written agreement by IDT.

Integrated Device Technology, IDT and the IDT logo are trademarks or registered trademarks of IDT and its subsidiaries in the United States and other countries. Other trademarks used herein are the property of IDT or their respective third party owners. For datasheet type definitions and a glossary of common terms, visit [www.idt.com/go/glossary](http://www.idt.com/go/glossary). Integrated Device Technology, Inc.. All rights reserved.