

阅读申明

- 1.本站收集的数据手册和产品资料都来自互联网，版权归原作者所有。如读者和版权方有任何异议请及时告之，我们将妥善解决。
- 2.本站提供的中文数据手册是英文数据手册的中文翻译，其目的是协助用户阅读，该译文无法自动跟随原稿更新，同时也可能存在翻译上的不当。建议读者以英文原稿为参考以便获得更精准的信息。
- 3.本站提供的产品资料，来自厂商的技术支持或者使用者的心得体会等，其内容可能存在描述上的差异，建议读者做出适当判断。
- 4.如需与我们联系，请发邮件到marketing@iczoom.com，主题请标有“数据手册”字样。

Read Statement

1. The datasheets and other product information on the site are all from network reference or other public materials, and the copyright belongs to the original author and original published source. If readers and copyright owners have any objections, please contact us and we will deal with it in a timely manner.
2. The Chinese datasheets provided on the website is a Chinese translation of the English datasheets. Its purpose is for reader's learning exchange only and do not involve commercial purposes. The translation cannot be automatically updated with the original manuscript, and there may also be improper translations. Readers are advised to use the English manuscript as a reference for more accurate information.
3. All product information provided on the website refer to solutions from manufacturers' technical support or users the contents may have differences in description, and readers are advised to take the original article as the standard.
4. If you have any questions, please contact us at marketing@iczoom.com and mark the subject with "Datasheets" .

Programmable System Clock Chip for ATI RS/RD690 - K8™ based Systems

Recommended Application:

ATI RS/RD690 systems using AMD K8 processors & SB600 Southbridge

Output Features:

- 2 - pairs of CPU pairs
- 8 - pairs of SRC pairs
- 4 - pairs of ATIG pairs
- 1 - HyperTransport 66MHz clock seed
- 2 - 48MHz USB clock
- 3 - 14.318MHz Reference clock

Key Specifications:

- CPU outputs cycle-to-cycle jitter < 85ps
- SRC outputs cycle-to-cycle jitter < 125ps
- ATIG outputs cycle-to-cycle jitter < 125ps
- +/- 300ppm frequency accuracy on CPU, SRC & ATIG clocks

Features/Benefits:

- 3 - Programmable Clock Request pins for SRC and ATIG clocks
- ATIGCLKs are programmable for frequency
- Spread Spectrum for EMI reduction
- Outputs may be disabled via SMBus
- External crystal load capacitors for maximum frequency accuracy

Functionality

| FS2 | FS1 | FS0 | CPU MHz | HTT MHz | SRC MHz | ATIG MHz | USB MHz |
|-----|-----|-----|---------|---------|---------|----------|---------|
| 0 | 0 | 0 | Hi-Z | Hi-Z | 100.00 | 100.00 | 48.00 |
| 0 | 0 | 1 | X / 2 | X / 3 | 100.00 | 100.00 | 48.00 |
| 0 | 1 | 0 | 230.00 | 76.67 | 100.00 | 100.00 | 48.00 |
| 0 | 1 | 1 | 240.00 | 80.00 | 100.00 | 100.00 | 48.00 |
| 1 | 0 | 0 | 100.00 | 66.66 | 100.00 | 100.00 | 48.00 |
| 1 | 0 | 1 | 133.33 | 66.66 | 100.00 | 100.00 | 48.00 |
| 1 | 1 | 0 | 166.67 | 66.66 | 100.00 | 100.00 | 48.00 |
| 1 | 1 | 1 | 200.00 | 66.66 | 100.00 | 100.00 | 48.00 |

Power Groups

| Pin Number | | Description |
|-------------|-------------|------------------------------|
| VDD | GND | |
| 5 | 8 | USB_48 outputs |
| 14,23,28,44 | 15,22,29,45 | SRCCLK outputs |
| 39 | 38 | ATIGCLK differential outputs |
| 50 | 49 | Analog, PLL |
| 54 | 53 | CPUCLK8 differential outputs |
| 60 | 58 | HTTCLK output |
| 2 | 1 | REF outputs |

Pin Configuration

| | | | |
|-----------|----|----|-----------|
| GNDREF | 1 | 64 | FS0/REF0 |
| VDDREF | 2 | 63 | FS1/REF1 |
| X1 | 3 | 62 | FS2/REF2 |
| X2 | 4 | 61 | PD** |
| VDD48 | 5 | 60 | VDDHTT |
| 48MHz_0 | 6 | 59 | HTTCLK0 |
| 48MHz_1 | 7 | 58 | GNDHTT |
| GND48 | 8 | 57 | *CLKREQA# |
| SMBCLK | 9 | 56 | CPUCLK8T0 |
| SMBDAT | 10 | 55 | CPUCLK8C0 |
| RESET_IN# | 11 | 54 | VDDCPU |
| SRCCLKT7 | 12 | 53 | GNDCPU |
| SRCCLKC7 | 13 | 52 | CPUCLK8T1 |
| VDDSRC | 14 | 51 | CPUCLK8C1 |
| GNDSRC | 15 | 50 | VDDA |
| SRCCLKT6 | 16 | 49 | GND A |
| SRCCLKC6 | 17 | 48 | IREF |
| SRCCLKT5 | 18 | 47 | SRCCLKT0 |
| SRCCLKC5 | 19 | 46 | SRCCLKC0 |
| SRCCLKT4 | 20 | 45 | GNDSRC |
| SRCCLKC4 | 21 | 44 | VDDSRC |
| GNDSRC | 22 | 43 | SRCCLKT1 |
| VDDSRC | 23 | 42 | SRCCLKC1 |
| SRCCLKT3 | 24 | 41 | ATIGCLKT0 |
| SRCCLKC3 | 25 | 40 | ATIGCLKC0 |
| SRCCLKT2 | 26 | 39 | VDDATIG |
| SRCCLKC2 | 27 | 38 | GNDATIG |
| VDDSRC | 28 | 37 | ATIGCLKT1 |
| GNDSRC | 29 | 36 | ATIGCLKC1 |
| ATIGCLKT3 | 30 | 35 | ATIGCLKT2 |
| ATIGCLKC3 | 31 | 34 | ATIGCLKC2 |
| *CLKREQB# | 32 | 33 | *CLKREQC# |

ICS 951462

64-TSSOP

* Internal Pull-Up Resistor

** Internal Pull-Down Resistor

Pin Description

| PIN # | PIN NAME | TYPE | DESCRIPTION |
|-------|-----------|------|---|
| 1 | GNDREF | PWR | Ground pin for the REF outputs. |
| 2 | VDDREF | PWR | Ref, XTAL power supply, nominal 3.3V |
| 3 | X1 | IN | Crystal input, Nominally 14.318MHz. |
| 4 | X2 | OUT | Crystal output, Nominally 14.318MHz |
| 5 | VDD48 | PWR | Power pin for the 48MHz output.3.3V |
| 6 | 48MHz_0 | OUT | 48MHz clock output. |
| 7 | 48MHz_1 | OUT | 48MHz clock output. |
| 8 | GND48 | PWR | Ground pin for the 48MHz outputs |
| 9 | SMBCLK | IN | Clock pin of SMBUS circuitry, 5V tolerant |
| 10 | SMBDAT | I/O | Data pin of SMBUS circuitry, 5V tolerant |
| 11 | RESET_IN# | IN | Real time active low input. When active, SMBus is reset to power up default. |
| 12 | SRCCLKT7 | OUT | True clock of differential SRC clock pair. |
| 13 | SRCCLKC7 | OUT | Complement clock of differential SRC clock pair. |
| 14 | VDDSRC | PWR | Supply for SRC clocks, 3.3V nominal |
| 15 | GNDSRC | PWR | Ground pin for the SRC outputs |
| 16 | SRCCLKT6 | OUT | True clock of differential SRC clock pair. |
| 17 | SRCCLKC6 | OUT | Complement clock of differential SRC clock pair. |
| 18 | SRCCLKT5 | OUT | True clock of differential SRC clock pair. |
| 19 | SRCCLKC5 | OUT | Complement clock of differential SRC clock pair. |
| 20 | SRCCLKT4 | OUT | True clock of differential SRC clock pair. |
| 21 | SRCCLKC4 | OUT | Complement clock of differential SRC clock pair. |
| 22 | GNDSRC | PWR | Ground pin for the SRC outputs |
| 23 | VDDSRC | PWR | Supply for SRC clocks, 3.3V nominal |
| 24 | SRCCLKT3 | OUT | True clock of differential SRC clock pair. |
| 25 | SRCCLKC3 | OUT | Complement clock of differential SRC clock pair. |
| 26 | SRCCLKT2 | OUT | True clock of differential SRC clock pair. |
| 27 | SRCCLKC2 | OUT | Complement clock of differential SRC clock pair. |
| 28 | VDDSRC | PWR | Supply for SRC clocks, 3.3V nominal |
| 29 | GNDSRC | PWR | Ground pin for the SRC outputs |
| 30 | ATIGCLKT3 | OUT | True clock of differential ATIGCLK clock pair. |
| 31 | ATIGCLKC3 | OUT | Complementary clock of differential ATIGCLK clock pair. |
| 32 | *CLKREQB# | IN | Output enable for PCI Express (SRC) outputs. SMBus selects which outputs are controlled. 0 = enabled, 1 = tri-stated |

Pin Description (Continued)

| PIN # | PIN NAME | TYPE | DESCRIPTION |
|-------|-----------|------|---|
| 33 | *CLKREQC# | IN | Output enable for PCI Express (SRC) outputs. SMBus selects which outputs are controlled. 0 = enabled, 1 = tri-stated |
| 34 | ATIGCLKC2 | OUT | Complementary clock of differential ATIGCLK clock pair. |
| 35 | ATIGCLKT2 | OUT | True clock of differential ATIGCLK clock pair. |
| 36 | ATIGCLKC1 | OUT | Complementary clock of differential ATIGCLK clock pair. |
| 37 | ATIGCLKT1 | OUT | True clock of differential ATIGCLK clock pair. |
| 38 | GNDATIG | PWR | Ground for ATIG clocks |
| 39 | VDDATIG | PWR | Power supply ATIG clocks, nominal 3.3V |
| 40 | ATIGCLKC0 | OUT | Complementary clock of differential ATIGCLK clock pair. |
| 41 | ATIGCLKT0 | OUT | True clock of differential ATIGCLK clock pair. |
| 42 | SRCCLKC1 | OUT | Complement clock of differential push-pull SRC clock pair. |
| 43 | SRCCLKT1 | OUT | True clock of differential SRC clock pair. |
| 44 | VDDSRC | PWR | Supply for SRC clocks, 3.3V nominal |
| 45 | GNDSRC | PWR | Ground pin for the SRC outputs |
| 46 | SRCCLKC0 | OUT | Complement clock of differential SRC clock pair. |
| 47 | SRCCLKT0 | OUT | True clock of differential SRC clock pair. |
| 48 | IREF | OUT | This pin establishes the reference current for the differential current-mode output pairs. This pin requires a fixed precision resistor tied to ground in order to establish the appropriate current. 475 ohms is the standard value. |
| 49 | GND A | PWR | Ground pin for the PLL core. |
| 50 | VDD A | PWR | 3.3V power for the PLL core. |
| 51 | CPUCLK8C1 | OUT | Complementary clock of differential 3.3V push-pull K8 pair. |
| 52 | CPUCLK8T1 | OUT | True clock of differential 3.3V push-pull K8 pair. |
| 53 | GND CPU | PWR | Ground pin for the CPU outputs |
| 54 | VDD CPU | PWR | Supply for CPU clocks, 3.3V nominal |
| 55 | CPUCLK8C0 | OUT | Complementary clock of differential 3.3V push-pull K8 pair. |
| 56 | CPUCLK8T0 | OUT | True clock of differential 3.3V push-pull K8 pair. |
| 57 | *CLKREQA# | IN | Output enable for PCI Express (SRC) outputs. SMBus selects which outputs are controlled. 0 = enabled, 1 = tri-stated |
| 58 | GNDHTT | PWR | Ground pin for the HTT outputs |
| 59 | HTTCLK0 | OUT | 3.3V Hyper Transport output |
| 60 | VDDHTT | PWR | Supply for HTT clocks, nominal 3.3V. |
| 61 | PD** | IN | Asynchronous active high input pin used to power down the device. The internal clocks are disabled and the VCO is stopped. |
| 62 | FS2/REF2 | I/O | Frequency select latch input pin / 14.318 MHz reference clock. |
| 63 | FS1/REF1 | I/O | Frequency select latch input pin / 14.318 MHz reference clock. |
| 64 | FS0/REF0 | I/O | Frequency select latch input pin / 14.318 MHz reference clock. |

General Description

The **ICS951462** is a main clock synthesizer chip that provides all clocks required for ATI RS/RD690-based systems. An SMBus interface allows full control of the device.

Block Diagram

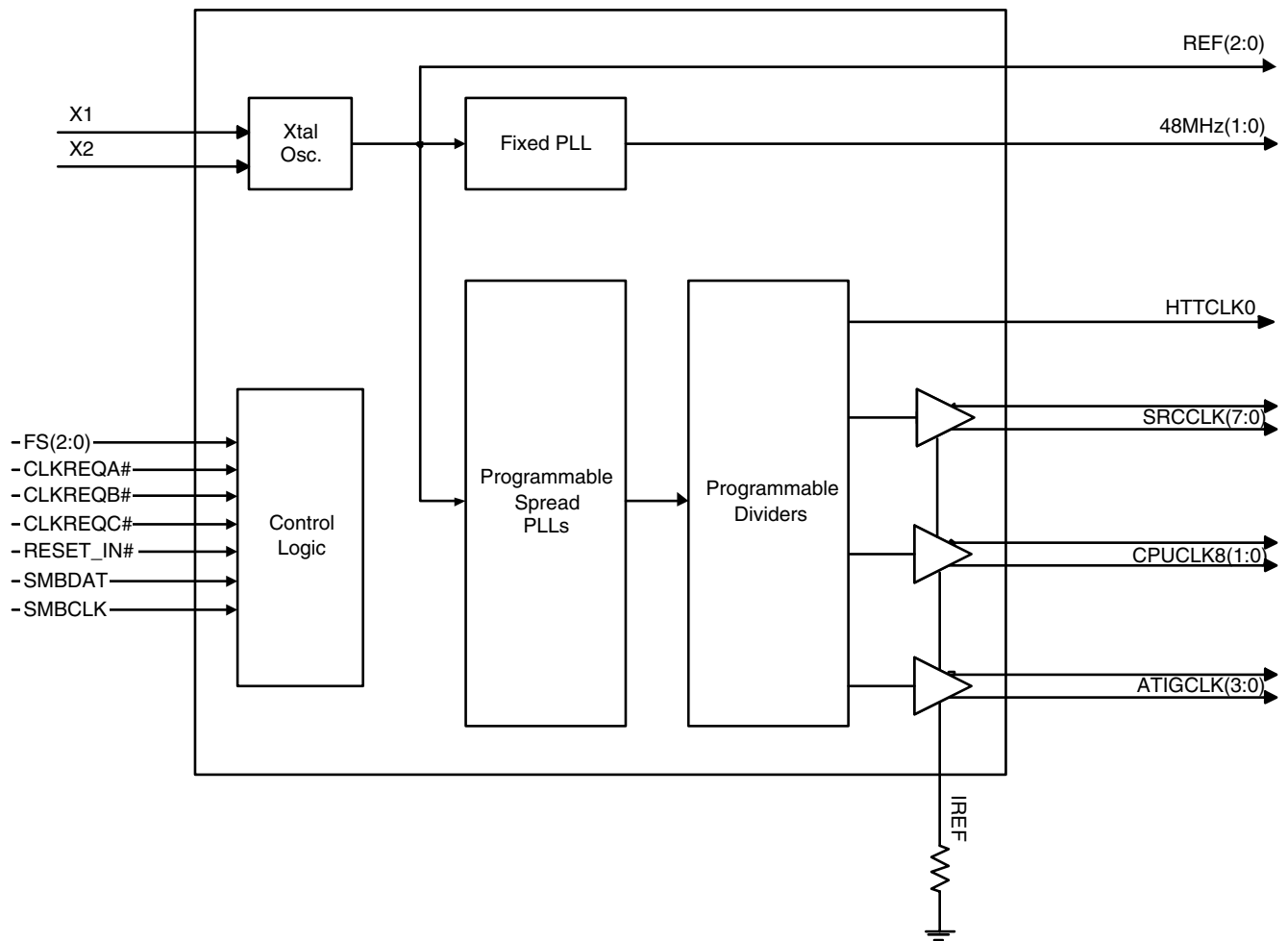


Table1: CPU and HTT Frequency Selection Table

| Byte 0 | | | | | CPUCLK (2:0) (MHz) | HTT (MHz) | Spread % | Overclock % |
|--------------|------------|------------|------------|------------|--------------------------|--------------|-------------|----------------|
| Bit4 | Bit3 | Bit2 | Bit1 | Bit0 | | | | |
| CPU SS_EN | CPU FS3 | CPU FS2 | CPU FS1 | CPU FS0 | | | | |
| 0 | 0 | 0 | 0 | 0 | Hi-Z | Hi-Z | None | |
| 0 | 0 | 0 | 0 | 1 | X / 2 | X / 3 | None | |
| 0 | 0 | 0 | 1 | 0 | 230.00 | 76.67 | None | 15% |
| 0 | 0 | 0 | 1 | 1 | 240.00 | 80.00 | None | 20% |
| 0 | 0 | 1 | 0 | 0 | 100.00 | 66.67 | None | 0% |
| 0 | 0 | 1 | 0 | 1 | 133.33 | 66.67 | None | |
| 0 | 0 | 1 | 1 | 0 | 166.67 | 66.67 | None | |
| 0 | 0 | 1 | 1 | 1 | 200.00 | 66.67 | None | |
| 0 | 1 | 0 | 0 | 0 | 250.00 | 83.33 | None | 25% |
| 0 | 1 | 0 | 0 | 1 | 260.00 | 86.67 | None | 30% |
| 0 | 1 | 0 | 1 | 0 | 270.00 | 90.00 | None | 35% |
| 0 | 1 | 0 | 1 | 1 | 280.00 | 93.33 | None | 40% |
| 0 | 1 | 1 | 0 | 0 | 102.00 | 68.00 | None | 2% |
| 0 | 1 | 1 | 0 | 1 | 136.00 | 68.00 | None | |
| 0 | 1 | 1 | 1 | 0 | 170.00 | 68.00 | None | |
| 0 | 1 | 1 | 1 | 1 | 204.00 | 68.00 | None | |
| 1 | 0 | 0 | 0 | 0 | 210.00 | 70.00 | -0.5% | 5% |
| 1 | 0 | 0 | 0 | 1 | 220.00 | 73.33 | -0.5% | 10% |
| 1 | 0 | 0 | 1 | 0 | 230.00 | 76.67 | -0.5% | 15% |
| 1 | 0 | 0 | 1 | 1 | 240.00 | 80.00 | -0.5% | 20% |
| 1 | 0 | 1 | 0 | 0 | 100.00 | 66.67 | -0.5% | 0% |
| 1 | 0 | 1 | 0 | 1 | 133.33 | 66.67 | -0.5% | |
| 1 | 0 | 1 | 1 | 0 | 166.67 | 66.67 | -0.5% | |
| 1 | 0 | 1 | 1 | 1 | 200.00 | 66.67 | -0.5% | |
| 1 | 1 | 0 | 0 | 0 | 250.00 | 83.33 | -0.5% | 25% |
| 1 | 1 | 0 | 0 | 1 | 260.00 | 86.67 | -0.5% | 30% |
| 1 | 1 | 0 | 1 | 0 | 270.00 | 90.00 | -0.5% | 35% |
| 1 | 1 | 0 | 1 | 1 | 280.00 | 93.33 | -0.5% | 40% |
| 1 | 1 | 1 | 0 | 0 | 102.00 | 68.00 | -0.5% | 2% |
| 1 | 1 | 1 | 0 | 1 | 136.00 | 68.00 | -0.5% | |
| 1 | 1 | 1 | 1 | 0 | 170.00 | 68.00 | -0.5% | |
| 1 | 1 | 1 | 1 | 1 | 204.00 | 68.00 | -0.5% | |



Table2: SRC Frequency Selection Table

| Byte 0 Bit 5 | Byte 5 | | | | SRC(7:0) (MHz) | Spread % | SRC OverClock % |
|-----------------|------------|------------|------------|------------|-------------------|-------------|-----------------------|
| | Bit3 | Bit2 | Bit1 | Bit0 | | | |
| SRC SS_EN | SRC FS3 | SRC FS2 | SRC FS1 | SRC FS0 | | | |
| 0 | 0 | 0 | 0 | 0 | 100.00 | 0 | 0% |
| 0 | 0 | 0 | 0 | 1 | 101.00 | 0 | 1% |
| 0 | 0 | 0 | 1 | 0 | 102.00 | 0 | 2% |
| 0 | 0 | 0 | 1 | 1 | 103.00 | 0 | 3% |
| 0 | 0 | 1 | 0 | 0 | 104.00 | 0 | 4% |
| 0 | 0 | 1 | 0 | 1 | 105.00 | 0 | 5% |
| 0 | 0 | 1 | 1 | 0 | 106.00 | 0 | 6% |
| 0 | 0 | 1 | 1 | 1 | 107.00 | 0 | 7% |
| 0 | 1 | 0 | 0 | 0 | 100.00 | 0 | 0% |
| 0 | 1 | 0 | 0 | 1 | 101.00 | 0 | 1% |
| 0 | 1 | 0 | 1 | 0 | 102.00 | 0 | 2% |
| 0 | 1 | 0 | 1 | 1 | 103.00 | 0 | 3% |
| 0 | 1 | 1 | 0 | 0 | 104.00 | 0 | 4% |
| 0 | 1 | 1 | 0 | 1 | 105.00 | 0 | 5% |
| 0 | 1 | 1 | 1 | 0 | 106.00 | 0 | 6% |
| 0 | 1 | 1 | 1 | 1 | 107.00 | 0 | 7% |
| 1 | 0 | 0 | 0 | 0 | 100.00 | -0.25% | 0% |
| 1 | 0 | 0 | 0 | 1 | 101.00 | -0.25% | 1% |
| 1 | 0 | 0 | 1 | 0 | 102.00 | -0.25% | 2% |
| 1 | 0 | 0 | 1 | 1 | 103.00 | -0.25% | 3% |
| 1 | 0 | 1 | 0 | 0 | 104.00 | -0.25% | 4% |
| 1 | 0 | 1 | 0 | 1 | 105.00 | -0.25% | 5% |
| 1 | 0 | 1 | 1 | 0 | 106.00 | -0.25% | 6% |
| 1 | 0 | 1 | 1 | 1 | 107.00 | -0.25% | 7% |
| 1 | 1 | 0 | 0 | 0 | 100.00 | -0.5% | 0% |
| 1 | 1 | 0 | 0 | 1 | 101.00 | -0.5% | 1% |
| 1 | 1 | 0 | 1 | 0 | 102.00 | -0.5% | 2% |
| 1 | 1 | 0 | 1 | 1 | 103.00 | -0.5% | 3% |
| 1 | 1 | 1 | 0 | 0 | 104.00 | -0.5% | 4% |
| 1 | 1 | 1 | 0 | 1 | 105.00 | -0.5% | 5% |
| 1 | 1 | 1 | 1 | 0 | 106.00 | -0.5% | 6% |
| 1 | 1 | 1 | 1 | 1 | 107.00 | -0.5% | 7% |

Table3: ATIG Frequency Selection Table

| Byte 0 Bit 6 | Byte 9 | | | | ATIG(2:0) (MHz) | Spread % | ATIG OverClock % |
|-----------------|-------------|-------------|-------------|-------------|--------------------|-------------|------------------------|
| | Bit3 | Bit2 | Bit1 | Bit0 | | | |
| ATIG SS_EN | ATIG FS3 | ATIG FS2 | ATIG FS1 | ATIG FS0 | | | |
| 0 | 0 | 0 | 0 | 0 | 100.00 | 0 | 0% |
| 0 | 0 | 0 | 0 | 1 | 105.00 | 0 | 5% |
| 0 | 0 | 0 | 1 | 0 | 110.00 | 0 | 10% |
| 0 | 0 | 0 | 1 | 1 | 115.00 | 0 | 15% |
| 0 | 0 | 1 | 0 | 0 | 120.00 | 0 | 20% |
| 0 | 0 | 1 | 0 | 1 | 125.00 | 0 | 25% |
| 0 | 0 | 1 | 1 | 0 | 130.00 | 0 | 30% |
| 0 | 0 | 1 | 1 | 1 | 135.00 | 0 | 35% |
| 0 | 1 | 0 | 0 | 0 | 100.00 | 0 | 0% |
| 0 | 1 | 0 | 0 | 1 | 105.00 | 0 | 5% |
| 0 | 1 | 0 | 1 | 0 | 110.00 | 0 | 10% |
| 0 | 1 | 0 | 1 | 1 | 115.00 | 0 | 15% |
| 0 | 1 | 1 | 0 | 0 | 120.00 | 0 | 20% |
| 0 | 1 | 1 | 0 | 1 | 125.00 | 0 | 25% |
| 0 | 1 | 1 | 1 | 0 | 130.00 | 0 | 30% |
| 0 | 1 | 1 | 1 | 1 | 135.00 | 0 | 35% |
| 1 | 0 | 0 | 0 | 0 | 100.00 | -0.25% | 0% |
| 1 | 0 | 0 | 0 | 1 | 105.00 | -0.25% | 5% |
| 1 | 0 | 0 | 1 | 0 | 110.00 | -0.25% | 10% |
| 1 | 0 | 0 | 1 | 1 | 115.00 | -0.25% | 15% |
| 1 | 0 | 1 | 0 | 0 | 120.00 | -0.25% | 20% |
| 1 | 0 | 1 | 0 | 1 | 125.00 | -0.25% | 25% |
| 1 | 0 | 1 | 1 | 0 | 130.00 | -0.25% | 30% |
| 1 | 0 | 1 | 1 | 1 | 135.00 | -0.25% | 35% |
| 1 | 1 | 0 | 0 | 0 | 100.00 | -0.5% | 0% |
| 1 | 1 | 0 | 0 | 1 | 105.00 | -0.5% | 5% |
| 1 | 1 | 0 | 1 | 0 | 110.00 | -0.5% | 10% |
| 1 | 1 | 0 | 1 | 1 | 115.00 | -0.5% | 15% |
| 1 | 1 | 1 | 0 | 0 | 120.00 | -0.5% | 20% |
| 1 | 1 | 1 | 0 | 1 | 125.00 | -0.5% | 25% |
| 1 | 1 | 1 | 1 | 0 | 130.00 | -0.5% | 30% |
| 1 | 1 | 1 | 1 | 1 | 135.00 | -0.5% | 35% |



Table 4: CPU Divider Ratios

| B19b(7:4) | | Divider (3:2) | | | | | | | |
|----------------------|------------|----------------------|---------|-----------|---------|-----------|---------|-----------|------------|
| Divider (1:0) | Bit | 00 | | 01 | | 10 | | 11 | MSB |
| | 00 | 0000 | 2 | 0100 | 4 | 1000 | 8 | 1100 | 16 |
| | 01 | 0001 | 3 | 0101 | 6 | 1001 | 12 | 1101 | 24 |
| | 10 | 0010 | 5 | 0110 | 10 | 1010 | 20 | 1110 | 40 |
| | 11 | 0011 | 15 | 0111 | 30 | 1011 | 60 | 1111 | 120 |
| LSB | Address | Div | Address | | Address | Div | Address | Div | |

Table 5: HTT Divider Ratios

| B20b(3:0) | | Divider (3:2) | | | | | | | |
|----------------------|------------|----------------------|---------|-----------|---------|-----------|---------|-----------|------------|
| Divider (1:0) | Bit | 00 | | 01 | | 10 | | 11 | MSB |
| | 00 | 0000 | 4 | 0100 | 8 | 1000 | 16 | 1100 | 32 |
| | 01 | 0001 | 3 | 0101 | 6 | 1001 | 12 | 1101 | 24 |
| | 10 | 0010 | 5 | 0110 | 10 | 1010 | 20 | 1110 | 40 |
| | 11 | 0011 | 15 | 0111 | 30 | 1011 | 60 | 1111 | 120 |
| LSB | Address | Div | Address | | Address | Div | Address | Div | |

Table 6: ATIG Divider Ratios

| B19b(3:0) | | Divider (3:2) | | | | | | | |
|----------------------|------------|----------------------|---------|-----------|---------|-----------|---------|-----------|------------|
| Divider (1:0) | Bit | 00 | | 01 | | 10 | | 11 | MSB |
| | 00 | 0000 | 2 | 0100 | 4 | 1000 | 8 | 1100 | 16 |
| | 01 | 0001 | 3 | 0101 | 6 | 1001 | 12 | 1101 | 24 |
| | 10 | 0010 | 5 | 0110 | 10 | 1010 | 20 | 1110 | 40 |
| | 11 | 0011 | 7 | 0111 | 14 | 1011 | 28 | 1111 | 56 |
| LSB | Address | Div | Address | | Address | Div | Address | Div | |

General SMBus serial interface information for the ICS951462

How to Write:

- Controller (host) sends a start bit.
- Controller (host) sends the write address D2_(H)
- ICS clock will **acknowledge**
- Controller (host) sends the beginning byte location = N
- ICS clock will **acknowledge**
- Controller (host) sends the data byte count = X
- ICS clock will **acknowledge**
- Controller (host) starts sending **Byte N through Byte N + X - 1**
(see Note 2)
- ICS clock will **acknowledge** each byte **one at a time**
- Controller (host) sends a Stop bit

How to Read:

- Controller (host) will send start bit.
- Controller (host) sends the write address D2_(H)
- ICS clock will **acknowledge**
- Controller (host) sends the beginning byte location = N
- ICS clock will **acknowledge**
- Controller (host) will send a separate start bit.
- Controller (host) sends the read address D3_(H)
- ICS clock will **acknowledge**
- ICS clock will send the data byte count = X
- ICS clock sends **Byte N + X - 1**
- ICS clock sends **Byte 0 through byte X (if X_(H) was written to byte 8)**.
- Controller (host) will need to acknowledge each byte
- Controller (host) will send a not acknowledge bit
- Controller (host) will send a stop bit

| Index Block Write Operation | | |
|---------------------------------|-----------|----------------------|
| Controller (Host) | | ICS (Slave/Receiver) |
| T | starT bit | |
| Slave Address D2 _(H) | | |
| WR | WRite | |
| | | ACK |
| Beginning Byte = N | | |
| | | ACK |
| Data Byte Count = X | | |
| | | ACK |
| Beginning Byte N | X Byte | |
| ○ | | ACK |
| ○ | | ○ |
| ○ | | ○ |
| Byte N + X - 1 | | ○ |
| | | ACK |
| P | stoP bit | |

| Index Block Read Operation | | |
|---------------------------------|-----------------|----------------------|
| Controller (Host) | | ICS (Slave/Receiver) |
| T | starT bit | |
| Slave Address D2 _(H) | | |
| WR | WRite | |
| | | ACK |
| Beginning Byte = N | | |
| | | ACK |
| RT | Repeat starT | |
| Slave Address D3 _(H) | | |
| RD | ReaD | |
| | | ACK |
| | | Data Byte Count = X |
| ACK | | |
| ACK | | Beginning Byte N |
| ○ | | ○ |
| ○ | | ○ |
| ○ | | ○ |
| | | Byte N + X - 1 |
| N | Not acknowledge | |
| P | stoP bit | |

SMBus Table: Spread Spectrum Enable and CPU Frequency Select Register

| Byte 0 | Pin # | Name | Control Function | Type | 0 | 1 | PWD |
|--------|-------|------------|---|------|--|--------|-------|
| Bit 7 | - | FS Source | Latched Input or SMBus Frequency Select | RW | Latched Inputs | SMBus | 0 |
| Bit 6 | - | ATIG_SS_EN | ATIG Spread Spectrum Enable | RW | Disable | Enable | 0 |
| Bit 5 | - | SRC_SS_EN | SRC Spread Spectrum Enable | RW | Disable | Enable | 0 |
| Bit 4 | - | CPU_SS_EN | CPU Spread Spectrum Enable | RW | Disable | Enable | 0 |
| Bit 3 | - | CPU_FS3 | CPU Freq Select Bit 3 | RW | See Table 1: CPU Frequency Selection Table | | 0 |
| Bit 2 | - | CPU_FS2 | CPU Freq Select Bit 2 | RW | | | Latch |
| Bit 1 | - | CPU_FS1 | CPU Freq Select Bit 1 | RW | | | Latch |
| Bit 0 | - | CPU_FS0 | CPU Freq Select Bit 0 | RW | | | Latch |

Note: Each Spread Spectrum Enable bit is independent from the other.

Bit(6:4) must all set to "1" in order to enable spread for CPU, SRC and ATIG clocks.

SMBus Table: Output Control Register

| Byte 1 | Pin # | Name | Control Function | Type | 0 | 1 | PWD |
|--------|-------|---------|-----------------------|------|---------|--------|-----|
| Bit 7 | 7 | 48MHz_1 | 48MHz_1 Output Enable | RW | Disable | Enable | 1 |
| Bit 6 | 6 | 48MHz_0 | 48MHz_0 Output Enable | RW | Disable | Enable | 1 |
| Bit 5 | 62 | REF2 | REF2 Output Enable | RW | Disable | Enable | 1 |
| Bit 4 | 63 | REF1 | REF1 Output Enable | RW | Disable | Enable | 1 |
| Bit 3 | 64 | REF0 | REF0 Output Enable | RW | Disable | Enable | 1 |
| Bit 2 | 59 | HTTCLK0 | HTTCLK0 Output Enable | RW | Disable | Enable | 1 |
| Bit 1 | 52,51 | CPUCLK1 | CPUCLK1 Output Enable | RW | Disable | Enable | 1 |
| Bit 0 | 56,55 | CPUCLK0 | CPUCLK0 Output Enable | RW | Disable | Enable | 1 |

SMBus Table: ATIGCLK and CLKREQB# Output Control Register

| Byte 2 | Pin # | Name | Control Function | Type | 0 | 1 | PWD |
|--------|-------|-----------|-------------------------|------|------------------|----------|-----|
| Bit 7 | 30,31 | ATIGCLK3 | ATIGCLK3 Output Enable | RW | Disable | Enable | 1 |
| Bit 6 | 35,34 | ATIGCLK2 | ATIGCLK2 Output Enable | RW | Disable | Enable | 1 |
| Bit 5 | 37,36 | ATIGCLK1 | ATIGCLK1 Output Enable | RW | Disable | Enable | 1 |
| Bit 4 | 41,40 | ATIGCLK0 | ATIGCLK0 Output Enable | RW | Disable | Enable | 1 |
| Bit 3 | 20,21 | REQBSRC4 | CLKREQB# Controls SRC4 | RW | Does not control | Controls | 0 |
| Bit 2 | 24,25 | REQBSRC3 | CLKREQB# Controls SRC3 | RW | Does not control | Controls | 0 |
| Bit 1 | 26,27 | REQBSRC2 | CLKREQB# Controls SRC2 | RW | Does not control | Controls | 0 |
| Bit 0 | 30,31 | REQBATIG3 | CLKREQB# Controls ATIG3 | RW | Does not control | Controls | 0 |

SMBus Table: SRCCLK Output Control Register

| Byte 3 | Pin # | Name | Control Function | Type | 0 | 1 | PWD |
|--------|-------|---------|--|------|---------|--------|-----|
| Bit 7 | 12,13 | SRCCLK7 | Master Output control. Enables or disables output, regardless of CLKREQ# inputs. | RW | Disable | Enable | 1 |
| Bit 6 | 16,17 | SRCCLK6 | | RW | Disable | Enable | 1 |
| Bit 5 | 18,19 | SRCCLK5 | | RW | Disable | Enable | 1 |
| Bit 4 | 20,21 | SRCCLK4 | | RW | Disable | Enable | 1 |
| Bit 3 | 24,25 | SRCCLK3 | | RW | Disable | Enable | 1 |
| Bit 2 | 26,27 | SRCCLK2 | | RW | Disable | Enable | 1 |
| Bit 1 | 43,42 | SRCCLK1 | | RW | Disable | Enable | 1 |
| Bit 0 | 47,46 | SRCCLK0 | | RW | Disable | Enable | 1 |

SMBus Table: CLKREQA# and CLKREQC# Output Control Register

| Byte 4 | Pin # | Name | Control Function | Type | 0 | 1 | PWD |
|--------|-------|-----------|-------------------------|------|------------------|----------|-----|
| Bit 7 | 12,13 | REQASRC7 | CLKREQA# Controls SRC7 | RW | Does not control | Controls | 0 |
| Bit 6 | 16,17 | REQASRC6 | CLKREQA# Controls SRC6 | RW | Does not control | Controls | 0 |
| Bit 5 | 18,19 | REQASRC5 | CLKREQA# Controls SRC5 | RW | Does not control | Controls | 0 |
| Bit 4 | 43,42 | REQCSRC1 | CLKREQC# Controls SRC1 | RW | Does not control | Controls | 0 |
| Bit 3 | 35,34 | REQCATIG2 | CLKREQC# Controls ATIG2 | RW | Does not control | Controls | 0 |
| Bit 2 | 37,36 | REQCATIG1 | CLKREQC# Controls ATIG1 | RW | Does not control | Controls | 0 |
| Bit 1 | 41,40 | REQCATIG0 | CLKREQC# Controls ATIG0 | RW | Does not control | Controls | 0 |
| Bit 0 | 47,46 | REQCSRC0 | CLKREQC# Controls SRC0 | RW | Does not control | Controls | 0 |

SMBus Table: CPU Stop Control and SRC Frequency Select Register

| Byte 5 | Pin # | Name | Control Function | Type | 0 | 1 | PWD |
|--------|-----------|----------------------------------|-----------------------------|------|--|------|-----|
| Bit 7 | | | Reserved | | | | 0 |
| Bit 6 | | | Reserved | | | | 0 |
| Bit 5 | | | Reserved | | | | 0 |
| Bit 4 | SRC, ATIG | Differential Output Disable Mode | Hi-Z or Driven when disable | RW | Driven | Hi-Z | 0 |
| Bit 3 | - | SRC FS3 | SRC Freq Select Bit 3 | RW | See Table 2: SRC Frequency Selection Table | | 0 |
| Bit 2 | - | SRC FS2 | SRC Freq Select Bit 2 | RW | | | 0 |
| Bit 1 | - | SRC FS1 | SRC Freq Select Bit 1 | RW | | | 0 |
| Bit 0 | - | SRC FS0 | SRC Freq Select Bit 0 | RW | | | 0 |

SMBus Table: Device ID Register

| Byte 6 | Pin # | Name | Control Function | Type | 0 | 1 | PWD |
|--------|-------|------------------|------------------|------|---|---|-----|
| Bit 7 | - | Device ID7 (MSB) | DEVICE ID | R | - | - | 0 |
| Bit 6 | - | Device ID6 | | R | - | - | 1 |
| Bit 5 | - | Device ID5 | | R | - | - | 1 |
| Bit 4 | - | Device ID4 | | R | - | - | 0 |
| Bit 3 | - | Device ID3 | | R | - | - | 0 |
| Bit 2 | - | Device ID2 | | R | - | - | 0 |
| Bit 1 | - | Device ID1 | | R | - | - | 1 |
| Bit 0 | - | Device ID0 (LSB) | | R | - | - | 0 |

SMBus Table: Revision and Vendor ID Register

| Byte 7 | Pin # | Name | Control Function | Type | 0 | 1 | PWD |
|--------|-------|------|------------------|------|---|---|-----|
| Bit 7 | - | RID3 | REVISION ID | R | - | - | 0 |
| Bit 6 | - | RID2 | | R | - | - | 0 |
| Bit 5 | - | RID1 | | R | - | - | 0 |
| Bit 4 | - | RID0 | | R | - | - | 1 |
| Bit 3 | - | VID3 | VENDOR ID | R | - | - | 0 |
| Bit 2 | - | VID2 | | R | - | - | 0 |
| Bit 1 | - | VID1 | | R | - | - | 0 |
| Bit 0 | - | VID0 | | R | - | - | 1 |

SMBus Table: Byte Count Register

| Byte 8 | Pin # | Name | Control Function | Type | 0 | 1 | PWD |
|--------|-------|------|-------------------------------|------|---|---|-----|
| Bit 7 | - | BC7 | Byte Count Programming b(7:0) | RW | Writing to this register will configure how many bytes will be read back, default is 9 bytes. | | 0 |
| Bit 6 | - | BC6 | | RW | | | 0 |
| Bit 5 | - | BC5 | | RW | | | 0 |
| Bit 4 | - | BC4 | | RW | | | 0 |
| Bit 3 | - | BC3 | | RW | | | 1 |
| Bit 2 | - | BC2 | | RW | | | 0 |
| Bit 1 | - | BC1 | | RW | | | 0 |
| Bit 0 | - | BC0 | | RW | | | 1 |

SMBus Table: REF2, 48MHz Output Strength Control and ATIG Frequency Select Register

| Byte 9 | Pin # | Name | Control Function | Type | 0 | 1 | PWD |
|--------|----------|------------|--------------------------|------|---|----|-----|
| Bit 7 | 62 | REF2Str | REF2 Strength Control | RW | 1X | 2X | 1 |
| Bit 6 | 7 | 48MHz_1Str | 48MHz_1 Strength Control | RW | 1X | 2X | 1 |
| Bit 5 | 6 | 48MHz_0Str | 48MHz_0 Strength Control | RW | 1X | 2X | 1 |
| Bit 4 | Reserved | | | | | | 0 |
| Bit 3 | - | ATIG FS3 | ATIG Freq Select Bit 3 | RW | See Table 3: ATIG Frequency Selection Table | | 0 |
| Bit 2 | - | ATIG FS2 | ATIG Freq Select Bit 2 | RW | | | 0 |
| Bit 1 | - | ATIG FS1 | ATIG Freq Select Bit 1 | RW | | | 0 |
| Bit 0 | - | ATIG FS0 | ATIG Freq Select Bit 0 | RW | | | 0 |

SMBus Table: PLLs M/N Programming Enable and REF1, REF0 Output Strength Control Register

| Byte 10 | Pin # | Name | Control Function | Type | 0 | 1 | PWD |
|---------|----------|---------|-----------------------------|------|---------|--------|-----|
| Bit 7 | - | M/N_EN | PLLs M/N Programming Enable | RW | Disable | Enable | 0 |
| Bit 6 | 63 | REF1Str | REF1 Strength Control | RW | 1X | 2X | 1 |
| Bit 5 | 64 | REF0Str | REF0 Strength Control | RW | 1X | 2X | 1 |
| Bit 4 | Reserved | | | | | | 0 |
| Bit 3 | Reserved | | | | | | 0 |
| Bit 2 | Reserved | | | | | | 0 |
| Bit 1 | Reserved | | | | | | 0 |
| Bit 0 | Reserved | | | | | | 0 |

SMBus Table: CPU PLL VCO Frequency Control Register

| Byte 11 | Pin # | Name | Control Function | Type | 0 | 1 | PWD |
|---------|-------|---------|----------------------------|------|---|---|-----|
| Bit 7 | - | N Div8 | N Divider Prog bit 8 | RW | The decimal representation of M and N Divider in Byte 11 and 12 will configure the VCO frequency. Default at power up = latch-in or Byte 0 Rom table. VCO Frequency = $14.318 \times [\text{NDiv}(9:0)+8] / [\text{MDiv}(5:0)+2]$ | | X |
| Bit 6 | - | N Div 9 | N Divider Prog bit 9 | RW | | | X |
| Bit 5 | - | M Div5 | M Divider Programming bits | RW | | | X |
| Bit 4 | - | M Div4 | | RW | | | X |
| Bit 3 | - | M Div3 | | RW | | | X |
| Bit 2 | - | M Div2 | | RW | | | X |
| Bit 1 | - | M Div1 | | RW | | | X |
| Bit 0 | - | M Div0 | | RW | | | X |

SMBus Table: CPU PLL VCO Frequency Control Register

| Byte 12 | Pin # | Name | Control Function | Type | 0 | 1 | PWD |
|---------|-------|--------|------------------------------|------|---|---|-----|
| Bit 7 | - | N Div7 | N Divider Programming b(7:0) | RW | The decimal representation of M and N Divider in Byte 11 and 12 will configure the VCO frequency. Default at power up = latch-in or Byte 0 Rom table. VCO Frequency = $14.318 \times [\text{NDiv}(9:0)+8] / [\text{MDiv}(5:0)+2]$ | | X |
| Bit 6 | - | N Div6 | | RW | | | X |
| Bit 5 | - | N Div5 | | RW | | | X |
| Bit 4 | - | N Div4 | | RW | | | X |
| Bit 3 | - | N Div3 | | RW | | | X |
| Bit 2 | - | N Div2 | | RW | | | X |
| Bit 1 | - | N Div1 | | RW | | | X |
| Bit 0 | - | N Div0 | | RW | | | X |

SMBus Table: CPU PLL Spread Spectrum Control Register

| Byte 13 | Pin # | Name | Control Function | Type | 0 | 1 | PWD |
|---------|-------|------|---------------------------------------|------|---|---|-----|
| Bit 7 | - | SSP7 | Spread Spectrum Programming b(7:0) | RW | These Spread Spectrum bits in Byte 13 and 14 will program the spread percentage. It is recommended to use ICS Spread % table for spread programming. | | X |
| Bit 6 | - | SSP6 | | RW | | | X |
| Bit 5 | - | SSP5 | | RW | | | X |
| Bit 4 | - | SSP4 | | RW | | | X |
| Bit 3 | - | SSP3 | | RW | | | X |
| Bit 2 | - | SSP2 | | RW | | | X |
| Bit 1 | - | SSP1 | | RW | | | X |
| Bit 0 | - | SSP0 | | RW | | | X |

SMBus Table: CPU PLL Spread Spectrum Control Register

| Byte 14 | Pin # | Name | Control Function | Type | 0 | 1 | PWD |
|---------|-------|-------|--|------|---|---|-----|
| Bit 7 | - | | Reserved | | | | 0 |
| Bit 6 | - | SSP14 | Spread Spectrum Programming b(14:8) | RW | These Spread Spectrum bits in Byte 13 and 14 will program the spread percentage. It is recommended to use ICS Spread % table for spread programming. | | X |
| Bit 5 | - | SSP13 | | RW | | | X |
| Bit 4 | - | SSP12 | | RW | | | X |
| Bit 3 | - | SSP11 | | RW | | | X |
| Bit 2 | - | SSP10 | | RW | | | X |
| Bit 1 | - | SSP9 | | RW | | | X |
| Bit 0 | - | SSP8 | | RW | | | X |

SMBus Table: ATIG PLL VCO Frequency Control Register

| Byte 15 | Pin # | Name | Control Function | Type | 0 | 1 | PWD |
|---------|-------|--------|----------------------------|------|---|---|-----|
| Bit 7 | - | N Div8 | N Divider Prog bit 8 | RW | The decimal representation of M and N Divier in Byte 17 and 18 will configure the VCO frequency. Default at power up = Byte 0 Rom table. VCO Frequency = 14.318 x [NDiv(9:0)+8] / [MDiv(5:0)+2] | | X |
| Bit 6 | - | N Div9 | N Divider Prog bit 9 | RW | | | X |
| Bit 5 | - | M Div5 | M Divider Programming bits | RW | | | X |
| Bit 4 | - | M Div4 | | RW | | | X |
| Bit 3 | - | M Div3 | | RW | | | X |
| Bit 2 | - | M Div2 | | RW | | | X |
| Bit 1 | - | M Div1 | | RW | | | X |
| Bit 0 | - | M Div0 | | RW | | | X |

SMBus Table: ATIG PLL VCO Frequency Control Register

| Byte 16 | Pin # | Name | Control Function | Type | 0 | 1 | PWD |
|---------|-------|--------|------------------------------|------|---|---|-----|
| Bit 7 | - | N Div7 | N Divider Programming b(7:0) | RW | The decimal representation of M and N Divier in Byte 17 and 18 will configure the VCO frequency. Default at power up = Byte 0 Rom table. VCO Frequency = 14.318 x [NDiv(9:0)+8] / [MDiv(5:0)+2] | | X |
| Bit 6 | - | N Div6 | | RW | | | X |
| Bit 5 | - | N Div5 | | RW | | | X |
| Bit 4 | - | N Div4 | | RW | | | X |
| Bit 3 | - | N Div3 | | RW | | | X |
| Bit 2 | - | N Div2 | | RW | | | X |
| Bit 1 | - | N Div1 | | RW | | | X |
| Bit 0 | - | N Div0 | | RW | | | X |

SMBus Table: ATIG PLL Spread Spectrum Control Register

| Byte 17 | Pin # | Name | Control Function | Type | 0 | 1 | PWD |
|---------|-------|------|---------------------------------------|------|---|---|-----|
| Bit 7 | - | SSP7 | Spread Spectrum Programming b(7:0) | RW | These Spread Spectrum bits in Byte 19 and 20 will program the spread percentage. It is recommended to use ICS Spread % table for spread programming. | | X |
| Bit 6 | - | SSP6 | | RW | | | X |
| Bit 5 | - | SSP5 | | RW | | | X |
| Bit 4 | - | SSP4 | | RW | | | X |
| Bit 3 | - | SSP3 | | RW | | | X |
| Bit 2 | - | SSP2 | | RW | | | X |
| Bit 1 | - | SSP1 | | RW | | | X |
| Bit 0 | - | SSP0 | | RW | | | X |

SMBus Table: ATIG PLL Spread Spectrum Control Register

| Byte 18 | Pin # | Name | Control Function | Type | 0 | 1 | PWD |
|---------|-------|----------|--|------|---|---|-----|
| Bit 7 | | Reserved | | | | | 0 |
| Bit 6 | - | SSP14 | Spread Spectrum Programming b(14:8) | RW | These Spread Spectrum bits in Byte 19 and 20 will program the spread percentage. It is recommended to use ICS Spread % table for spread programming. | | X |
| Bit 5 | - | SSP13 | | RW | | | X |
| Bit 4 | - | SSP12 | | RW | | | X |
| Bit 3 | - | SSP11 | | RW | | | X |
| Bit 2 | - | SSP10 | | RW | | | X |
| Bit 1 | - | SSP9 | | RW | | | X |
| Bit 0 | - | SSP8 | | RW | | | X |

SMBus Table: CPU and ATIG Divider Ratio Programming Bits Select Register

| Byte 19 | Pin # | Name | Control Function | Type | 0 | 1 | PWD |
|---------|-------|-----------|--|------|-------------------------------------|---|-----|
| Bit 7 | - | CPU_Div3 | CPU_Divider Ratio Programming Bits | RW | See Table 4: CPU Divider Ratios | | X |
| Bit 6 | - | CPU_Div2 | | RW | | | X |
| Bit 5 | - | CPU_Div1 | | RW | | | X |
| Bit 4 | - | CPU_Div0 | | RW | | | X |
| Bit 3 | - | ATIG_Div3 | ATIG_Divider Ratio Programming Bits | RW | See Table 5: ATIG Divider Ratios | | X |
| Bit 2 | - | ATIG_Div2 | | RW | | | X |
| Bit 1 | - | ATIG_Div1 | | RW | | | X |
| Bit 0 | - | ATIG_Div0 | | RW | | | X |

SMBus Table: HTT Divider Ratio Programming Bits Select Register

| Byte 20 | Pin # | Name | Control Function | Type | 0 | 1 | PWD |
|---------|-------|----------|---------------------------------------|------|------------------------------------|---|-----|
| Bit 7 | | Reserved | | | | | 0 |
| Bit 6 | | Reserved | | | | | 0 |
| Bit 5 | | Reserved | | | | | 0 |
| Bit 4 | | Reserved | | | | | 0 |
| Bit 3 | - | HTT_Div3 | HTT_Divider Ratio Programming Bits | RW | See Table 6: HTT Divider Ratios | | X |
| Bit 2 | - | HTT_Div2 | | RW | | | X |
| Bit 1 | - | HTT_Div1 | | RW | | | X |
| Bit 0 | - | HTT_Div0 | | RW | | | X |

Absolute Maximum Rating (Above which useful life may be impaired)

| PARAMETER | SYMBOL | CONDITIONS | MIN | TYP | MAX | UNITS | Notes |
|---------------------------------|----------------------|---------------------------|-----------|-----|------------------------|-------|-------|
| 3.3V Core Supply Voltage | VDD_A | - | | | V _{DD} + 0.5V | V | 1 |
| 3.3V Logic Input Supply Voltage | VDD_In | - | GND - 0.5 | | V _{DD} + 0.5V | V | 1 |
| Storage Temperature | T _s | - | -65 | | 150 | °C | 1 |
| Ambient Operating Temp | T _{ambient} | - | 0 | | 70 | °C | 1 |
| Max Junction Temp | T _J | V _{DD} MAX, 70°C | | | 130 | °C | 1 |
| Case Temperature | T _{case} | - | | | 115 | °C | 1 |
| Input ESD protection HBM | ESD prot | - | 2000 | | | V | 1 |

¹Guaranteed by design and characterization, not 100% tested in production.

Electrical Characteristics - Input/Supply/Common Output Parameters

| PARAMETER | SYMBOL | CONDITIONS* | MIN | TYP | MAX | UNITS | Notes |
|--|----------------------|---|-----------------------|----------|-----------------------|-------|-------|
| Input High Voltage | V _{IH} | 3.3 V +/-5% | 2 | | V _{DD} + 0.3 | V | 1 |
| Input Low Voltage | V _{IL} | 3.3 V +/-5% | V _{SS} - 0.3 | | 0.8 | V | 1 |
| Input High Current | I _{IH} | V _{IN} = V _{DD} | -5 | | 5 | uA | 1 |
| Input Low Current | I _{IL1} | V _{IN} = 0 V; Inputs with no pull-up resistors | -5 | | | uA | 1 |
| | I _{IL2} | V _{IN} = 0 V; Inputs with pull-up resistors | -200 | | | uA | 1 |
| Low Threshold Input-High Voltage | V _{IH_FS} | 3.3 V +/-5% | 0.7 | | V _{DD} + 0.3 | V | 1 |
| Low Threshold Input-Low Voltage | V _{IL_FS} | 3.3 V +/-5% | V _{SS} - 0.3 | | 0.35 | V | 1 |
| Operating Current | I _{DD3.3OP} | all outputs driven | | | 400 | mA | 1 |
| Powerdown Current | I _{DD3.3PD} | all diff pairs driven | | | 70 | mA | 1 |
| | | all differential pairs tri-stated | | | 12 | mA | 1 |
| Input Frequency | F _i | V _{DD} = 3.3 V | | 14.31818 | | MHz | 2 |
| Pin Inductance | L _{pin} | | | | 7 | nH | 1 |
| Input Capacitance | C _{IN} | Logic Inputs | | | 5 | pF | 1 |
| | C _{OUT} | Output pin capacitance | | | 6 | pF | 1 |
| | C _{INX} | X1 & X2 pins | | | 5 | pF | 1 |
| Clk Stabilization | T _{STAB} | From VDD Power-Up or de-assertion of PD to 1st clock | | | 1.8 | ms | 1 |
| Modulation Frequency | | Triangular Modulation | 30 | | 33 | kHz | 1 |
| Tdrive_PD | | CPU output enable after PD de-assertion | | | 300 | us | 1 |
| Tfall_PD | | PD fall time of | | | 5 | ns | 1 |
| Trise_PD | | PD rise time of | | | 5 | ns | 1 |
| SMBus Voltage | V _{DD} | | 2.7 | | 5.5 | V | 1 |
| Low-level Output Voltage | V _{OL} | @ I _{PULLUP} | | | 0.4 | V | 1 |
| Current sinking at V _{OL} = 0.4 V | I _{PULLUP} | | 4 | | | mA | 1 |
| SMBCLK/SMBDAT Clock/Data Rise Time | T _{RI2C} | (Max VIL - 0.15) to (Min VIH + 0.15) | | | 1000 | ns | 1 |
| SMBCLK/SMBDAT Clock/Data Fall Time | T _{FI2C} | (Min VIH + 0.15) to (Max VIL - 0.15) | | | 300 | ns | 1 |

*TA = 0 - 70°C; Supply Voltage VDD = 3.3 V +/-5%

¹Guaranteed by design and characterization, not 100% tested in production.

² Input frequency should be measured at the REF pin and tuned to ideal 14.31818MHz to meet ppm frequency accuracy on PLL outputs.



Electrical Characteristics - K8 Push Pull Differential Pair

$T_A = 0 - 70^\circ\text{C}$; $V_{DD} = 3.3\text{ V} \pm 5\%$; $C_L = \text{AMD64 Processor Test Load}$

| PARAMETER | SYMBOL | CONDITIONS | MIN | TYP | MAX | UNITS | NOTES |
|------------------------------------|---------------------|--|-------|------|------|----------|-------|
| Rising Edge Rate | $\delta V/\delta t$ | Measured at the AMD64 processor's test load. 0 V +/- 400 mV (differential measurement) | 2 | | 10 | V/ns | 1 |
| Falling Edge Rate | $\delta V/\delta t$ | | 2 | | 10 | V/ns | 1 |
| Differential Voltage | V_{DIFF} | Measured at the AMD64 processor's test load. (single-ended measurement) | 0.4 | 1.25 | 2.3 | V | 1 |
| Change in V_{DIFF_DC} Magnitude | ΔV_{DIFF} | | -150 | | 150 | mV | 1 |
| Common Mode Voltage | V_{CM} | | 1.05 | 1.25 | 1.45 | V | 1 |
| Change in Common Mode Voltage | ΔV_{CM} | | -200 | | 200 | mV | 1 |
| Jitter, Cycle to cycle | $t_{jyc-cyc}$ | Measurement from differential waveform. Maximum difference of cycle time between 2 adjacent cycles. | 0 | 50 | 85 | ps | 1 |
| Jitter, Accumulated | t_{ja} | Measured using the JIT2 software package with a Tek 7404 scope. TIE (Time Interval Error) measurement technique: Sample resolution = 50 ps, Sample Duration = 10 μs | -1000 | | 1000 | | 1,2,3 |
| Duty Cycle | d_{I3} | Measurement from differential waveform | 45 | | 53 | % | 1 |
| Output Impedance | R_{ON} | Average value during switching transition. Used for determining series termination value. | 15 | 35 | 55 | Ω | 1 |
| Group Skew | $t_{src-skew}$ | Measurement from differential waveform | | | 50 | ps | 1 |

¹Guaranteed by design and characterization, not 100% tested in production.

²All accumulated jitter specifications are guaranteed assuming that REF is at 14.31818MHz

³Spread Spectrum is off

Electrical Characteristics - HTTCLK Clock

| PARAMETER | SYMBOL | CONDITIONS | MIN | TYP | MAX | UNITS | Notes |
|------------------------|----------------------|--|---------|-----|---------|-------|-------|
| Long Accuracy | ppm | see Tperiod min-max values | -300 | | 300 | ppm | 1,2 |
| PCI33 Clock period | T _{period} | 33.33MHz output nominal | 29.9910 | | 30.0090 | ns | 2 |
| | | 33.33MHz output spread | 29.9910 | | 30.1598 | ns | 2 |
| HTT66 Clock period | T _{period} | 66.67MHz output nominal | 14.9955 | | 15.0045 | ns | 2 |
| | | 66.67MHz output spread | 14.9955 | | 15.0799 | ns | 2 |
| Output High Voltage | V _{OH} | I _{OH} = -1 mA | 2.4 | | | V | 1 |
| Output Low Voltage | V _{OL} | I _{OL} = 1 mA | | | 0.55 | V | 1 |
| Output High Current | I _{OH} | V _{OH} @ MIN = 1.0 V | -33 | | | mA | 1 |
| | | V _{OH} @ MAX = 3.135 V | | | -33 | mA | 1 |
| Output Low Current | I _{OL} | V _{OL} @ MIN = 1.95 V | 30 | | | mA | 1 |
| | | V _{OL} @ MAX = 0.4 V | | | 38 | mA | 1 |
| Edge Rate | ΔV/Δt | Rising edge rate | 1 | | 4 | V/ns | 1 |
| Edge Rate | ΔV/Δt | Falling edge rate | 1 | | 4 | V/ns | 1 |
| Rise Time | t _{r1} | V _{OL} = 0.4 V, V _{OH} = 2.4 V | 0.5 | | 2 | ns | 1 |
| Fall Time | t _{f1} | V _{OH} = 2.4 V, V _{OL} = 0.4 V | 0.5 | | 2 | ns | 1 |
| Duty Cycle | d _{t1} | V _T = 1.5 V | 45 | | 55 | % | 1 |
| Jitter, Cycle to cycle | t _{jyc-cyc} | V _T = 1.5 V | | | 180 | ps | 1 |

*T_A = 0 - 70°C; VDD=3.3V +/-5%; C_L = 30 pF (unless otherwise specified)

¹Guaranteed by design and characterization, not 100% tested in production.

²All Long Term Accuracy and Clock Period specifications are guaranteed with the assumption that REF is at 14.31818MHz

Electrical Characteristics - SRC/ATIG 0.7V Current Mode Differential Pair

| PARAMETER | SYMBOL | CONDITIONS* | MIN | TYP | MAX | UNITS | Notes |
|---------------------------------|----------------------|--|--------|-----|---------|-------|-------|
| Current Source Output Impedance | Z _o | V _O = V _x | 3000 | | | Ω | 1 |
| Voltage High | VHigh | Statistical measurement on single ended signal | 660 | | 850 | mV | 1,3 |
| Voltage Low | VLow | | -150 | | 150 | mV | 1,3 |
| Max Voltage | Vovs | Measurement on single ended signal using absolute value. | | | 1150 | mV | 1 |
| Min Voltage | Vuds | | -300 | | | mV | 1 |
| Crossing Voltage (abs) | Vx(abs) | | 250 | | 550 | mV | 1 |
| Crossing Voltage (var) | d-Vx | Variation of crossing over all edges | | | 140 | mV | 1 |
| Long Accuracy | ppm | see Tperiod min-max values | -300 | | 300 | ppm | 1,2 |
| Average period | Tperiod | 100.00MHz nominal | 9.9970 | | 10.0030 | ns | 2 |
| | | 100.00MHz spread | 9.9970 | | 10.0533 | ns | 2 |
| Absolute min period | Tabsmin | 100.00MHz nominal/spread | 9.8720 | | | ns | 1,2 |
| Rise Time | t _r | V _{OL} = 0.175V, V _{OH} = 0.525V | 175 | | 700 | ps | 1 |
| Fall Time | t _f | V _{OH} = 0.525V V _{OL} = 0.175V | 175 | | 700 | ps | 1 |
| Rise Time Variation | d-t _r | V _{OL} = 0.175V, V _{OH} = 0.525V | | | 125 | ps | 1 |
| Fall Time Variation | d-t _f | V _{OH} = 0.525V V _{OL} = 0.175V | | | 125 | ps | 1 |
| Duty Cycle | d _{t3} | Measurement from differential waveform | 45 | | 55 | % | 1 |
| Skew | t _{sk3} | V _T = 50% | | | 100 | ps | 1 |
| Jitter, Cycle to cycle | t _{jyc-cyc} | Measurement from differential waveform | | | 125 | ps | 1 |

*T_A = 0 - 70°C; V_{DD} = 3.3 V +/-5%; C_L = 2pF, R_S = 33.2Ω, R_P = 49.9Ω, I_{REF} = 475Ω

¹Guaranteed by design and characterization, not 100% tested in production.

²All Long Term Accuracy and Clock Period specifications are guaranteed assuming that REFOUT is at 14.31818MHz

³I_{REF} = V_{DD}/(3xR_P). For R_P = 475Ω (1%), I_{REF} = 2.32mA. I_{OH} = 6 x I_{REF} and V_{OH} = 0.7V @ Z_O = 50Ω.

Electrical Characteristics - USB - 48MHz

| PARAMETER | SYMBOL | CONDITIONS* | MIN | TYP | MAX | UNITS | NOTES |
|------------------------|----------------------|--|---------|-----|---------|-------|-------|
| Long Accuracy | ppm | see Tperiod min-max values | -100 | | 100 | ppm | 1,2 |
| Clock period | T _{period} | 48.00MHz output nominal | 20.8229 | | 20.8344 | ns | 2 |
| Clock Low Time | T _{low} | Measure from < 0.6V | 9.3750 | | 11.4580 | ns | 2 |
| Clock High Time | T _{high} | Measure from > 2.0V | 9.3750 | | 11.4580 | ns | 2 |
| Output High Voltage | V _{OH} | I _{OH} = -1 mA | 2.4 | | | V | 1 |
| Output Low Voltage | V _{OL} | I _{OL} = 1 mA | | | 0.55 | V | 1 |
| Output High Current | I _{OH} | V _{OH} @MIN = 1.0 V | -33 | | | mA | 1 |
| | | V _{OH} @MAX = 3.135 V | | | -33 | mA | 1 |
| Output Low Current | I _{OL} | V _{OL} @ MIN = 1.95 V | 30 | | | mA | 1 |
| | | V _{OL} @ MAX = 0.4 V | | | 38 | mA | 1 |
| Rise Time | t _{r USB} | V _{OL} = 0.4 V, V _{OH} = 2.4 V | 0.5 | | 1.5 | ns | 1 |
| Fall Time | t _{f USB} | V _{OH} = 2.4 V, V _{OL} = 0.4 V | 0.5 | | 1.5 | ns | 1 |
| Duty Cycle | d _{tt} | V _T = 1.5 V | 45 | | 55 | % | 1 |
| Group Skew | t _{skew} | V _T = 1.5 V | | | 100 | ps | 1 |
| Jitter, Cycle to cycle | t _{jyc-cyc} | V _T = 1.5 V | | | 130 | ps | 1,2 |

*TA = 0 - 70°C; Supply Voltage VDD = 3.3 V +/-5%, CL = 5 pF with Rs = 22Ω (unless otherwise specified)

¹Guaranteed by design and characterization, not 100% tested in production.

²ICS recommended and/or chipset vendor layout guidelines must be followed to meet this specification

Electrical Characteristics - REF-14.318MHz

| PARAMETER | SYMBOL | CONDITIONS | MIN | TYP | MAX | UNITS | Notes |
|---------------------|----------------------|--|---------|-----|---------|-------|-------|
| Long Accuracy | ppm | see Tperiod min-max values | -300 | | 300 | ppm | 1,2 |
| Clock period | T _{period} | 14.318MHz output nominal | 69.8270 | | 69.8550 | ns | 2 |
| Clock Low Time | T _{low} | Measure from < 0.6V | 30.9290 | | 37.9130 | ns | 2 |
| Clock High Time | T _{high} | Measure from > 2.0V | 30.9290 | | 37.9130 | ns | 2 |
| Output High Voltage | V _{OH} | I _{OH} = -1 mA | 2.4 | | | V | 1 |
| Output Low Voltage | V _{OL} | I _{OL} = 1 mA | | | 0.4 | V | 1 |
| Output High Current | I _{OH} | V _{OH} @MIN = 1.0 V, | -29 | | | mA | 1 |
| | | V _{OH} @MAX = 3.135 V | | | -23 | mA | 1 |
| Output Low Current | I _{OL} | V _{OL} @ MIN = 1.95 V, | 29 | | | mA | 1 |
| | | V _{OL} @ MAX = 0.4 V | | | 27 | mA | 1 |
| Rise Time | t _{r1} | V _{OL} = 0.4 V, V _{OH} = 2.4 V | | | 1.5 | ns | 1 |
| Fall Time | t _{f1} | V _{OH} = 2.4 V, V _{OL} = 0.4 V | | | 1.5 | ns | 1 |
| Skew | t _{sk1} | V _T = 1.5 V | | | 100 | ps | 1 |
| Duty Cycle | d _{tt} | V _T = 1.5 V | 44 | 53 | 56 | % | 1 |
| Jitter | t _{jyc-cyc} | V _T = 1.5 V | | 200 | 300 | ps | 1 |

*TA = 0 - 70°C; Supply Voltage VDD = 3.3 V +/-5%, CL = 5 pF with Rs = 22Ω (unless otherwise specified)

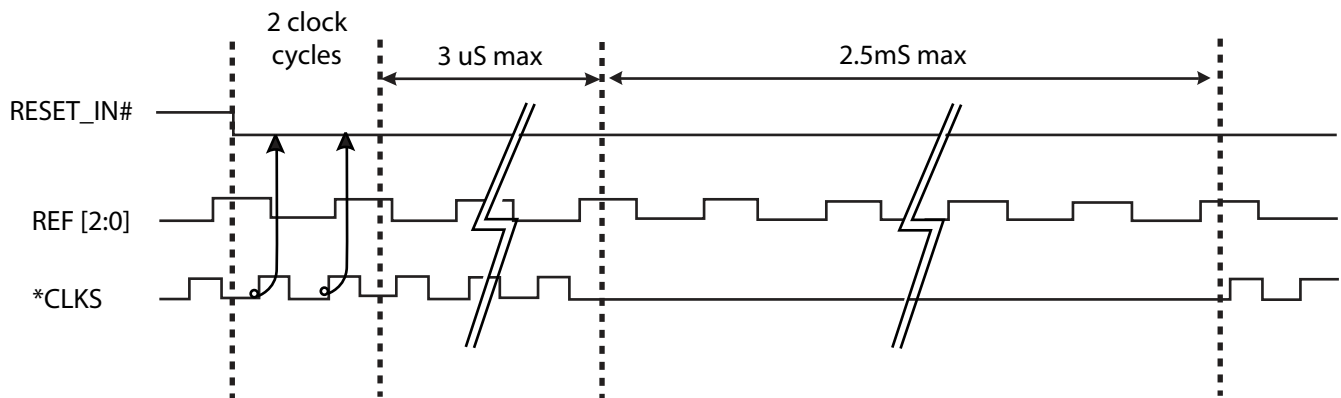
¹Guaranteed by design and characterization, not 100% tested in production.

² All Long Term Accuracy and Clock Period specifications are guaranteed assuming that REFOUT is at 14.31818MHz

RESET_IN# - Assertion (transition from '1' to '0')

Asserting RESET_IN pin stops all the outputs including CPU, SRC, ATIG, PCI and USB with the REF[2:0] running. The pin is a Schmitt trigger input with debouncing. After it is triggered, REF clocks will wait for two clock cycle to ensure the RESET_IN is asserted. Then, it will take 3 μ S for the clocks to stop without glitches. The clock chip will be power down and re-power up, and SMBus will be reloaded. It will take no more than 2.5mS for the clocks to come out with correct frequencies and no glitches.

** Deassertion of RESET_IN# (transition from '0' to '1') has NO effect on the clocks.

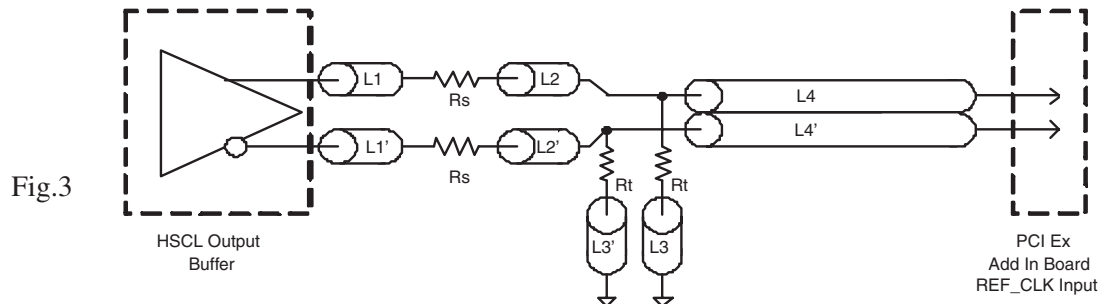
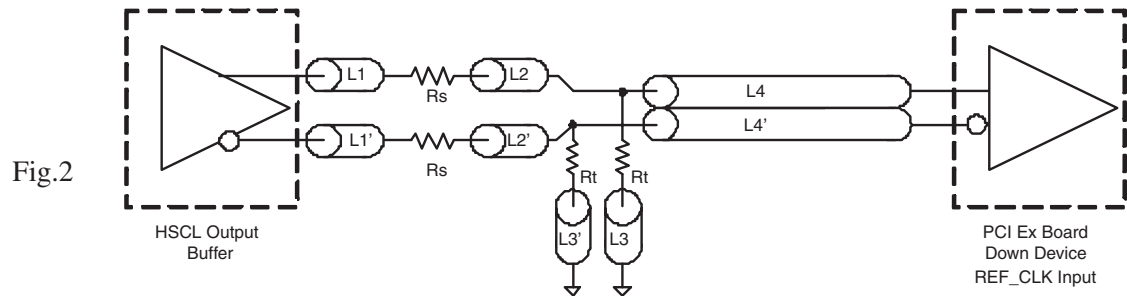
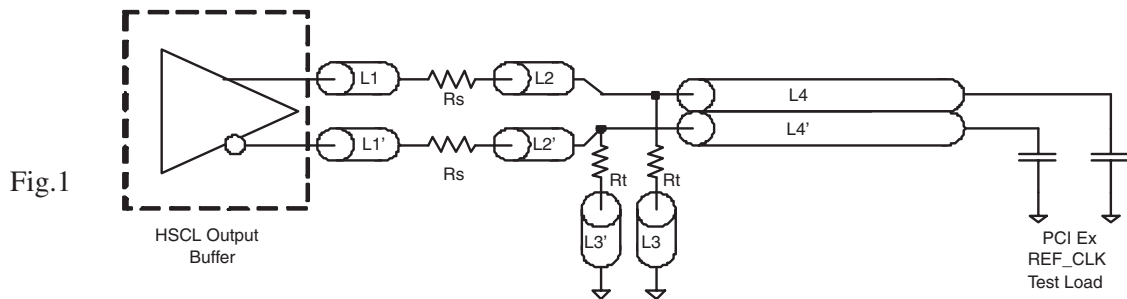


SRC Routing Information

| SRC Reference Clock | | | |
|---|--------------------|------|--------|
| Common Recommendations for Differential Routing | Dimension or Value | Unit | Figure |
| L1 length, Route as non-coupled 50 ohm trace. | 0.5 max | inch | 2, 3 |
| L2 length, Route as non-coupled 50 ohm trace. | 0.2 max | inch | 2, 3 |
| L3 length, Route as non-coupled 50 ohm trace. | 0.2 max | inch | 2, 3 |
| R_s | 33 | ohm | 2, 3 |
| R_t | 49.9 | ohm | 2, 3 |

| Down Device Differential Routing | Dimension or Value | Unit | Figure |
|---|---------------------|------|--------|
| L4 length, Route as coupled microstrip 100 ohm differential trace. | 2 min to 16 max | inch | 2 |
| L4 length, Route as coupled stripline 100 ohm differential trace. | 1.8 min to 14.4 max | inch | 2 |

| Differential Routing to PCI Express Connector | Dimension or Value | Unit | Figure |
|---|-----------------------|------|--------|
| L4 length, Route as coupled microstrip 100 ohm differential trace. | 0.25 to 14 max | inch | 3 |
| L4 length, Route as coupled stripline 100 ohm differential trace. | 0.225 min to 12.6 max | inch | 3 |



Shared Pin Operation - Input/Output Pins

The I/O pins designated by (input/output) on the **ICS951462** serve as dual signal functions to the device. During initial power-up, they act as input pins. The logic level (voltage) that is present on these pins at this time is read and stored into a 5-bit internal data latch. At the end of Power-On reset, (see AC characteristics for timing values), the device changes the mode of operations for these pins to an output function. In this mode the pins produce the specified buffered clocks to external loads.

To program (load) the internal configuration register for these pins, a resistor is connected to either the VDD (logic 1) power supply or the GND (logic 0) voltage potential. A 10 Kiloohm (10K) resistor is used to provide both the solid CMOS programming voltage needed during the power-up programming period and to provide an insignificant load on the output clock during the subsequent operating period. Figure 1 shows a means of implementing this function when a switch or 2 pin header is used. With no jumper is installed

the pin will be pulled high. With the jumper in place the pin will be pulled low. If programmability is not necessary, than only a single resistor is necessary. The programming resistors should be located close to the series termination resistor to minimize the current loop area. It is more important to locate the series termination resistor close to the driver than the programming resistor.

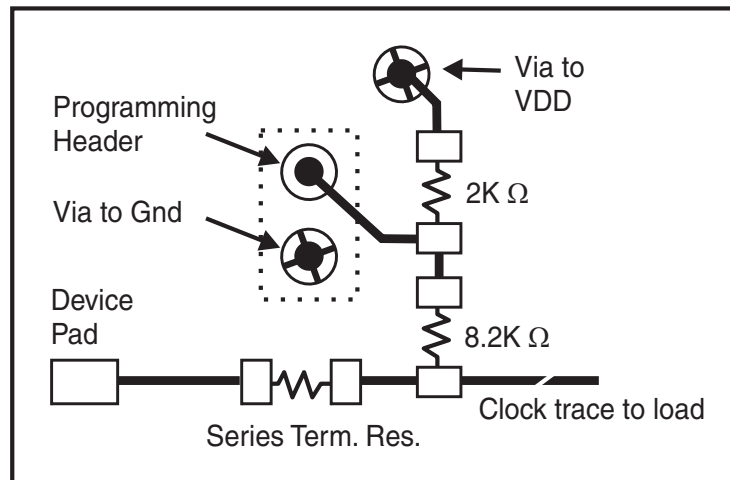
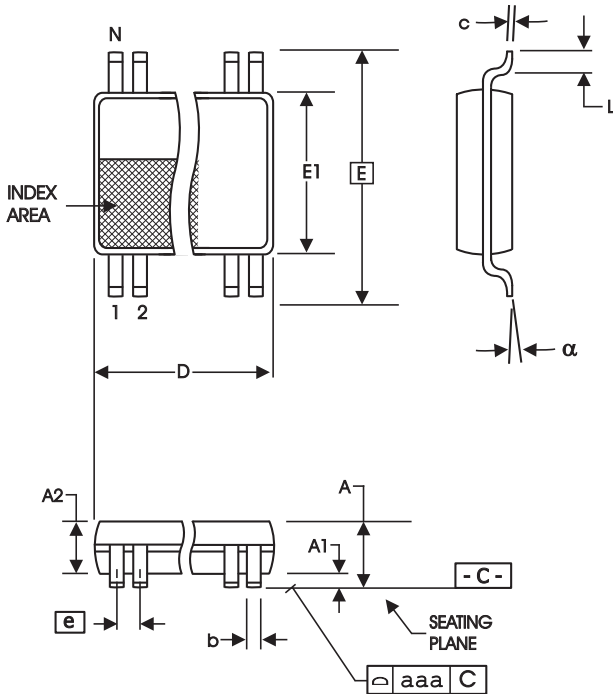


Fig. 1



6.10 mm. Body, 0.50 mm. Pitch TSSOP
(240 mil) (20 mil)

| SYMBOL | In Millimeters COMMON DIMENSIONS | | In Inches COMMON DIMENSIONS | |
|--------|-------------------------------------|------|--------------------------------|------|
| | MIN | MAX | MIN | MAX |
| A | -- | 1.20 | -- | .047 |
| A1 | 0.05 | 0.15 | .002 | .006 |
| A2 | 0.80 | 1.05 | .032 | .041 |
| b | 0.17 | 0.27 | .007 | .011 |
| c | 0.09 | 0.20 | .0035 | .008 |
| D | SEE VARIATIONS | | SEE VARIATIONS | |
| E | 8.10 BASIC | | 0.319 BASIC | |
| E1 | 6.00 | 6.20 | .236 | .244 |
| e | 0.50 BASIC | | 0.020 BASIC | |
| L | 0.45 | 0.75 | .018 | .030 |
| N | SEE VARIATIONS | | SEE VARIATIONS | |
| α | 0° | 8° | 0° | 8° |
| aaa | -- | 0.10 | -- | .004 |

VARIATIONS

| N | D mm. | | D (inch) | |
|----|-------|-------|----------|------|
| | MIN | MAX | MIN | MAX |
| 64 | 16.90 | 17.10 | .665 | .673 |

Reference Doc.: JEDEC Publication 95, MO-153

10-0039

Ordering Information

951462yGLFT

Example:

XXXX y G LFT

- XXXX — Device Type (consists of 3 to 7 digit numbers)
- y — Revision Designator (will not correlate with datasheet revision)
- G — Package Type
G = TSSOP
- L — Lead Free, RoHS Compliant (Optional)
- F — Designation for tape and reel packaging
- T —

Revision History

| Rev. | Issue Date | Description | Page # |
|------|------------|--|--------------------------------------|
| 0.0 | 4/7/2005 | Initial Release | - |
| 0.1 | 4/15/2005 | Added Timing Diagram | 19 |
| 0.2 | 6/6/2005 | 1. SMBus Byte 5 bits[6:5] are changed from CPU_STOP Enable to RESERVED. 2. Updated LF Ordering Information from "Annealed Lead Free" to "RoHS Compliant". | 11, 22 |
| 0.3 | 6/8/2005 | Updated Timing Diagram. | 19 |
| 0.4 | 9/9/2005 | 1. Updated all description: Changed RS680 to RS580. 2. Updated Pin Description: Pin 11 and 57. 3. Updated Block Diagram: Took out CPU_STOP#. 4. Updated Electrical Characteristics: i. Input/Supply/Common Output Parameters: Took out Operating Supply Current. ii. USB: Updated Rise and Fall Time. iii. REF: Updated Rise and Fall Time. 5. Updated LF Ordering Information. | 1, 2,3, 4, 15,18, 22 |
| 0.5 | 9/22/2005 | 1. Updated Output Features. | 1 |
| 0.6 | 2/8/2006 | Updated pin description pin 30/31 and 42/43 | 2-3 |
| A | 3/22/2006 | 1. Updated REF and USB cycle to cycle jitter specs to tentative SB600 requirements. 2. Updated CPU skew and jitter numbers 3. Updated SRC and ATIG skew and jitter numbers 4. Move Data sheet to Preliminary | 17, 18 |
| B | 5/26/2006 | 1. Updated REF and USB rise/fall time specs to tentative SB600 requirements. | 18 |
| C | 7/25/2006 | Updated Reference to CLKREQB# on Byte 4 to CLKREQA#. | 11 |
| D | 9/15/2006 | Updated Recommended Application. | 1, 4 |
| E | 12/5/2006 | 1. Updated Table 3 description. 2. Updated SMBus Pin# association. | 7, 10-11 |
| F | 12/12/2006 | 1. Updated REF duty cycle to 56/44%. | 18 |
| G | 1/30/2007 | 1. Updated REF Rise/Fall time spec | 18 |
| H | 3/5/2007 | 1. Updated pinout and pin description for pin #61 | 1, 3 |
| I | 5/23/2007 | Added Max Junction Temperature. | 15 |
| J | 3/16/2009 | Changed Cycle-to-cycle Jitter spec from 85 to 125ps. | 17 |