

阅读申明

- 1.本站收集的数据手册和产品资料都来自互联网，版权归原作者所有。如读者和版权方有任何异议请及时告之，我们将妥善解决。
- 2.本站提供的中文数据手册是英文数据手册的中文翻译，其目的是协助用户阅读，该译文无法自动跟随原稿更新，同时也可能存在翻译上的不当。建议读者以英文原稿为参考以便获得更精准的信息。
- 3.本站提供的产品资料，来自厂商的技术支持或者使用者的心得体会等，其内容可能存在描述上的差异，建议读者做出适当判断。
- 4.如需与我们联系，请发邮件到marketing@iczoom.com，主题请标有“数据手册”字样。

Read Statement

1. The datasheets and other product information on the site are all from network reference or other public materials, and the copyright belongs to the original author and original published source. If readers and copyright owners have any objections, please contact us and we will deal with it in a timely manner.
2. The Chinese datasheets provided on the website is a Chinese translation of the English datasheets. Its purpose is for reader's learning exchange only and do not involve commercial purposes. The translation cannot be automatically updated with the original manuscript, and there may also be improper translations. Readers are advised to use the English manuscript as a reference for more accurate information.
3. All product information provided on the website refer to solutions from manufacturers' technical support or users the contents may have differences in description, and readers are advised to take the original article as the standard.
4. If you have any questions, please contact us at marketing@iczoom.com and mark the subject with "Datasheets" .

General Description

The 810001-21 is a PLL based synchronous clock generator that is optimized for digital video clock jitter attenuation and frequency translation. The device contains two internal frequency multiplication stages that are cascaded in series. The first stage is a VCXO PLL that is optimized to provide reference clock jitter attenuation, and to support the complex PLL multiplication ratios needed for video rate conversion. The second stage is a FemtoClock™ frequency multiplier that provides the low jitter, high frequency video output clock.

Preset multiplication ratios are selected from internal lookup tables using device input selection pins. The multiplication ratios are optimized to support most common video rates used in professional video system applications. The VCXO requires the use of an external, inexpensive pullable crystal. Two crystal connections are provided (pin selectable) so that both 60 and 59.94 base frame rates can be supported. The VCXO requires external passive loop filter components which are used to set the PLL loop bandwidth and damping characteristics.

Features

- Jitter attenuation and frequency translation of video clock signals
- Supports SMPTE 292M, ITU-R Rec. 601/656 and MPEG-transport clocks
- Support of High-Definition (HD) and Standard-Definition (SD) pixel rates
- Dual VCXO-PLL supports both 60 and 59.94Hz base frame rates in one device
- Supports both 1000/1001 and 1001/1000 rate conversions
- Dual PLL mode for high-frequency clock generation (36MHz to 148.5MHz)
- VCXO-PLL mode for low-frequency clock generation (27MHz and 26.973MHz)
- One LVCMOS/LVTTL clock output
- Two selectable LVCMOS/LVTTL clock inputs
- LVCMOS/LVTTL compatible control signals
- RMS phase jitter @ 148.3516MHz, (12kHz - 20MHz): 1.089ps (typical)
- 3.3V supply voltage
- 0°C to 70°C ambient operating temperature
- Available in lead-free (RoHS 6) packages

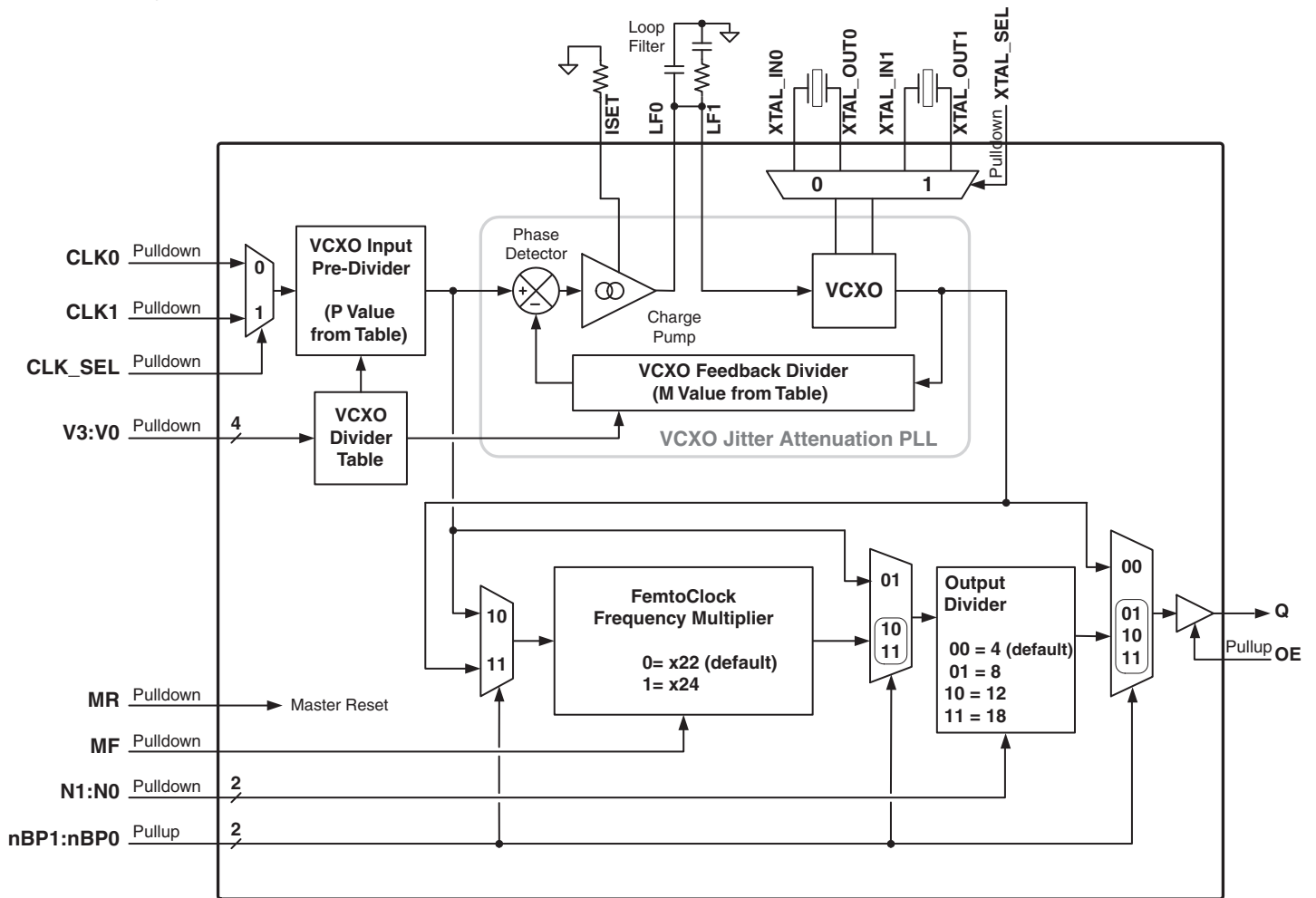
Supported Input Frequencies

$f_{VCXO} = 27\text{MHz}$	$f_{VCXO} = 26.973\text{MHz}$
27.0000MHz	26.9730MHz
27.0270MHz	27.0000MHz
74.1758MHz	74.1016MHz
74.3243MHz	74.2499MHz
74.2500MHz	74.1758MHz
27.0270MHz	27.0000MHz
26.9730MHz	26.9461MHz
74.1758MHz	74.1016kHz
45.0000kHz	44.9550kHz
33.7500kHz	33.7163kHz
15.6250kHz	15.6094kHz
15.7343kHz	15.7185kHz
28.1250kHz	28.0969kHz

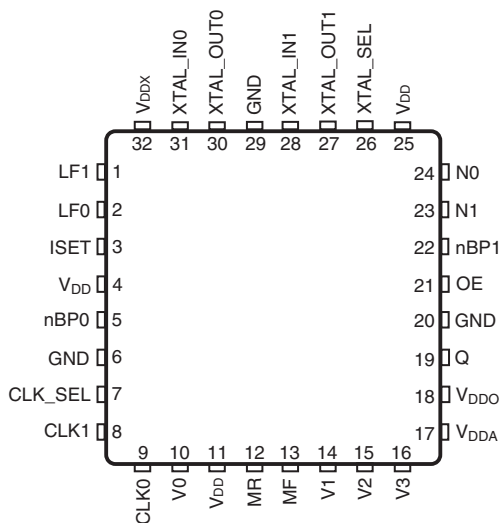
Supported Output Frequencies

$f_{VCXO} = 27\text{MHz}$	$f_{VCXO} = 26.973\text{MHz}$
148.5000MHz	148.3515MHz
74.2500MHz	74.1758MHz
49.5000MHz	49.4505MHz
33.0000MHz	32.9670MHz
162.0000MHz	161.8380MHz
81.0000MHz	80.9190MHz
54.0000MHz	53.9460MHz
36.0000MHz	35.9640MHz
27.0000MHz	26.9730MHz

Block Diagram



Pin Assignment



810001-21
32 Lead VFQFN
5mm x 5mm x 0.925mm
package body
K Package
Top View

Table 1. Pin Descriptions

Number	Name	Type		Description
1, 2	LF1, LF0	Analog Input/Output		Loop filter connection node pins.
3	ISET	Analog Input/Output		Charge pump current setting pin.
4, 11, 25	V _{DD}	Power		Core supply pins.
5, 22	nBP0, nBP1	Input	Pullup	PLL Bypass control pins. See block diagram.
6, 20, 29	GND	Power		Power supply ground.
7	CLK_SEL	Input	Pulldown	Input clock select. When HIGH selects CLK1. When LOW, selects CLK0. LVCMOS / LVTTTL interface levels.
8, 9	CLK1, CLK0	Input	Pulldown	Single-ended clock inputs. LVCMOS/LVTTTL interface levels.
10, 14, 15, 16	V0, V1, V2, V3	Input	Pulldown	VCXO PLL divider selection pins. LVCMOS/LVTTTL interface levels.
12	MR	Input	Pulldown	Active HIGH Master Reset. When logic HIGH, the internal dividers are reset causing the output to go low. When logic LOW, the internal dividers and the output is enabled. LVCMOS/LVTTTL interface levels.
13	MF	Input	Pulldown	FemtoClock multiplication factor select pin. LVCMOS/LVTTTL interface levels.
17	V _{DDA}	Power		Analog supply pin.
18	V _{DDO}	Power		Output supply pin.
19	Q	Output		Single-ended VCXO PLL clock output. LVCMOS/LVTTTL interface levels.
21	OE	Input	Pullup	Output enable. When logic LOW, the clock output is in high-impedance. When logic HIGH, the output is enabled. LVCMOS/LVTTTL interface levels.
23, 24	N1, N0	Input	Pulldown	FemtoClock output divide select pins. LVCMOS/LVTTTL interface levels.
26	XTAL_SEL	Input	Pulldown	Crystal select. When HIGH, selects XTAL1. When LOW, selects XTAL0. LVCMOS/LVTTTL interface levels.
27, 28	XTAL_OUT1, XTAL_IN1	Input		Crystal oscillator interface. XTAL_IN1 is the input. XTAL_OUT1 is the output.
30, 31	XTAL_OUT0, XTAL_IN0	Input		Crystal oscillator interface. XTAL_IN0 is the input. XTAL_OUT0 is the output.
32	V _{DDX}	Power		Power supply pin for VCXO charge pump.

NOTE: *Pullup* and *Pulldown* refer to internal input resistors. See Table 2, *Pin Characteristics*, for typical values.

Table 2. Pin Characteristics

Symbol	Parameter	Test Conditions	Minimum	Typical	Maximum	Units
C _{IN}	Input Capacitance			4		pF
C _{PD}	Power Dissipation Capacitance (per output)	V _{DD} = V _{DDO} = 3.465V		8.5		pF
R _{PULLUP}	Input Pullup Resistor			51		kΩ
R _{PULLDOWN}	Input Pulldown Resistor			51		kΩ
R _{OUT}	Output Impedance			22.5		Ω

Function Tables

Table 3A. VCXO PLL Pre- and Feedback Divider Function Table

Input				VCXO PLL Configuration	
V3	V2	V1	V0	Pre-Divider P	Feedback- Divider M
0 (default)	0 (default)	0 (default)	0 (default)	1000	1000
0	0	0	1	1001	1000
0	0	1	0	11000	4004
0	0	1	1	11011	4000
0	1	0	0	11000	4000
0	1	0	1	4004	4004
0	1	1	0	4004	4000
0	1	1	1	1000	1001
1	0	0	0	250	91
1	0	0	1	253	92
1	0	1	0	92	92
1	0	1	1	1	600
1	1	0	0	1	800
1	1	0	1	1	1728
1	1	1	0	1	1716
1	1	1	1	1	960

Table 3B. Input Frequency Table

Input				Crystal Frequency (f_{VCXO})	
V3	V2	V1	V0	27MHz	26.973MHz
0 (default)	0 (default)	0 (default)	0 (default)	27.0000MHz	26.9730MHz
0	0	0	1	27.0270MHz	27.0000MHz
0	0	1	0	74.1758MHz	74.1016MHz
0	0	1	1	74.3243MHz	74.2499MHz
0	1	0	0	74.2500MHz	74.1758MHz
0	1	0	1	27.0000MHz	26.9730MHz
0	1	1	0	27.0270MHz	27.0000MHz
0	1	1	1	26.9730MHz	26.9461MHz
1	0	0	0	74.1758MHz	74.1016MHz
1	0	0	1	74.2500MHz	74.1758MHz
1	0	1	0	27.0000MHz	26.9730MHz
1	0	1	1	45.0000kHz	44.9550kHz
1	1	0	0	33.7500kHz	33.7163kHz
1	1	0	1	15.6250kHz	15.6094kHz
1	1	1	0	15.7343kHz	15.7185kHz
1	1	1	1	28.1250kHz	28.0969kHz

Table 3C. Output Frequency Table (dual PLL Mode)

f_{VCXO}	FemtoClock Look-up Table			Output Frequency f_Q (MHz)
	MF	N1	N0	
27MHz	0	0	0	148.5000
	0	0	1	74.2500
	0	1	0	49.5000
	0	1	1	33.0000
	1	0	0	162.0000
	1	0	1	81.0000
	1	1	0	54.0000
	1	1	1	36.0000
26.973MHz	0	0	0	148.3515
	0	0	1	74.1758
	0	1	0	49.4505
	0	1	1	32.9670
	1	0	0	161.8380
	1	0	1	80.9190
	1	1	0	53.9460
	1	1	1	35.9640

NOTE: Use the VCXO-PLL mode to achieve output Frequencies of 27MHz or 26.973MHz. See Table 3H.

Table 3D. CLK_SEL Function Table

Input	Operation
CLK_SEL	
0 (default)	Selects CLK0 as PLL reference input.
1	Selects CLK1 as PLL reference input.

Table 3E. MR Master Reset Function Table

Input	Operation
MR	
0 (default)	Normal operation, internal dividers and the output Q are enabled.
1	Internal dividers are reset. Q output is in logic low state (with OE = 1).

Table 3F. FemtoClock PLL Feedback Divider Function Table

Input	Operation
MF	
0 (default)	Selects MF = 22. The 2nd stage PLL (FemtoClock, multiplies the output frequency of the VCXO-PLL by 22.
1	Selects MF = 24. The 2nd stage PLL (FemtoClock, multiplies the output frequency of the VCXO-PLL by 24.

Table 3G. PLL Output Divider Function Table

Input		Operation
N1	N0	
0 (default)	0 (default)	Output divider N = 4.
0	1	Output divider N = 8.
1	0	Output divider N = 12.
1	1	Output divider N = 18.

Table 3H. PLL BYPASS Logic Function Table

Input		Operation
nBP1	nBP0	
0	0	VCXO-PLL mode: The input reference frequency is divided by the pre-divider P and is multiplied by the VCXO-PLL. $f_{OUT} = (f_{REF} \div P) * M$.
0	1	Test mode: The input reference frequency is divided by the pre-divider P and the output divider N and bypasses both PLLs. $f_{OUT} = f_{REF} \div (P * N)$.
1	0	FemtoClock Mode: The input reference frequency is divided by the pre-divider P multiplied by the 2 nd PLL (FemtoClock, MF). The 1 st PLL (VCXO-PLL, M) is bypassed. This mode does not support jitter attenuation. $f_{OUT} = (f_{REF} \div P) * MF \div N$.
1 (default)	1 (default)	Dual PLL Mode: both PLLs are cascaded for jitter attenuation and frequency multiplication. $f_{OUT} = (f_{REF} \div P) * M * MF \div N$.

Absolute Maximum Ratings

NOTE: Stresses beyond those listed under *Absolute Maximum Ratings* may cause permanent damage to the device. These ratings are stress specifications only. Functional operation of product at these conditions or any conditions beyond those listed in the *DC Characteristics* or *AC Characteristics* is not implied. Exposure to absolute maximum rating conditions for extended periods may affect product reliability.

Item	Rating
Supply Voltage, V_{DD}	4.6V
Inputs, V_I XTAL_IN Other Inputs	0V to V_{DD} -0.5V to $V_{DD} + 0.5V$
Outputs, V_O	-0.5V to $V_{DDO} + 0.5V$
Package Thermal Impedance, θ_{JA}	37°C/W (0 mps)
Storage Temperature, T_{STG}	-65°C to 150°C

DC Electrical Characteristics

Table 4A. Power Supply DC Characteristics, $V_{DD} = V_{DDO} = V_{DDX} = 3.3V \pm 5\%$, $T_A = 0^\circ\text{C}$ to 70°C

Symbol	Parameter	Test Conditions	Minimum	Typical	Maximum	Units
V_{DD}	Core Supply Voltage		3.135	3.3	3.465	V
V_{DDA}	Analog Supply Voltage		$V_{DD} - 0.15$	3.3	V_{DD}	V
V_{DDO}	Output Supply Voltage		3.135	3.3	3.465	V
V_{DDX}	Charge Pump Supply Voltage		$V_{DD} - 0.04$	3.3	3.465	V
I_{DD}	Power Supply Current				290	mA
I_{DDA}	Analog Supply Current				15	mA
I_{DDO}	Output Supply Current	No Load			4	mA
I_{DDX}	Charge Pump Supply Current				4	mA

Table 4B. LVCMOS/LVTTL DC Characteristics, $V_{DD} = V_{DDO} = V_{DDX} = 3.3V \pm 5\%$, $T_A = 0^\circ C$ to $70^\circ C$

Symbol	Parameter	Test Conditions	Minimum	Typical	Maximum	Units
V_{IH}	Input High Voltage		2.0		$V_{DD} + 0.3$	V
V_{IL}	Input Low Voltage		-0.3		0.8	V
I_{IH}	Input High Current	CLK[0:1], CLK_SEL, P[1:0], V[3:0], N[1:0], MR, MF, XTAL_SEL	$V_{DD} = V_{IN} = 3.465V$		150	μA
		OE, nBP0, nBP1	$V_{DD} = V_{IN} = 3.465V$		5	μA
I_{IL}	Input Low Current	CLK[0:1], CLK_SEL, P[1:0], V[3:0], N[1:0], MR, MF, XTAL_SEL	$V_{DD} = 3.465V, V_{IN} = 0V$		-5	μA
		OE, nBP0, nBP1	$V_{DD} = 3.465, V_{IN} = 0V$		-150	μA
V_{OH}	Output High Voltage	$I_{OH} = -24mA$	2.6			V
V_{OL}	Output Low Voltage	$I_{OL} = 24mA$			0.5	V

AC Electrical Characteristics

Table 5. AC Characteristics, $V_{DD} = V_{DDO} = V_{DDX} = 3.3V \pm 5\%$, $T_A = 0^\circ C$ to $70^\circ C$

Symbol	Parameter	Test Conditions	Minimum	Typical	Maximum	Units
f_{OUT}	Output Frequency	nBP0, nBP1 = 00	14		35	MHz
		nBP1 = 1	31		175	MHz
$f_{jit}(\emptyset)$	RMS Phase Jitter, (Random), NOTE 1	148.3516MHz, Integration Range: 12kHz – 20MHz		1.089		ps
t_R / t_F	Output Rise/Fall Time	20% to 80%	250		750	ps
odc	Output Duty Cycle		48		52	%
t_{LOCK}	VCXO & FemtoClock PLL Lock Time; NOTE 2	M = 92, Bandwidth = 475Hz		100		ms
		M = 4004, Bandwidth = 6Hz		25		s

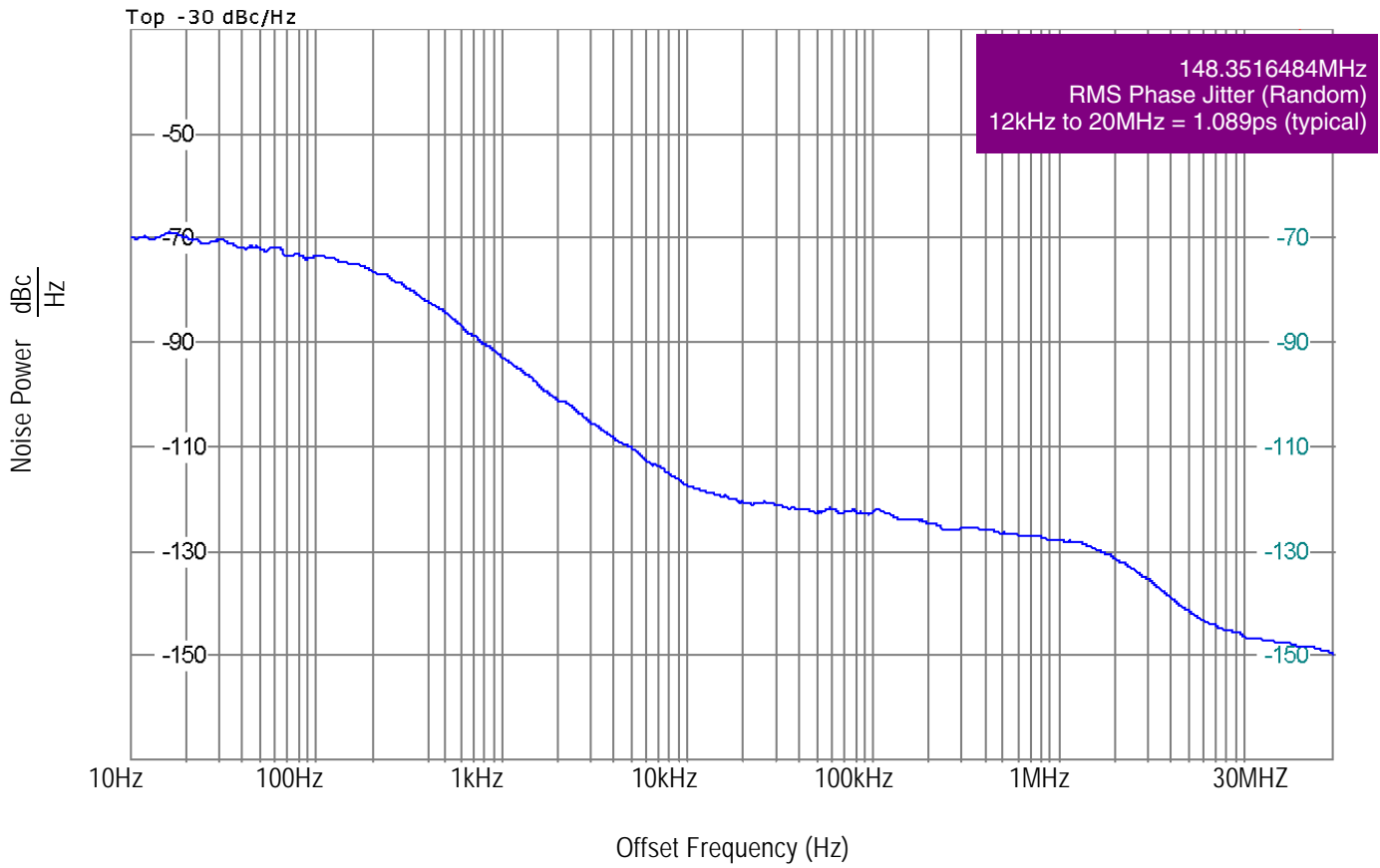
NOTE: Electrical parameters are guaranteed over the specified ambient operating temperature range, which is established when the device is mounted in a test socket with maintained transverse airflow greater than 500 lfm. The device will meet specifications after thermal equilibrium has been reached under these conditions.

See Parameter Measurement Information Section.

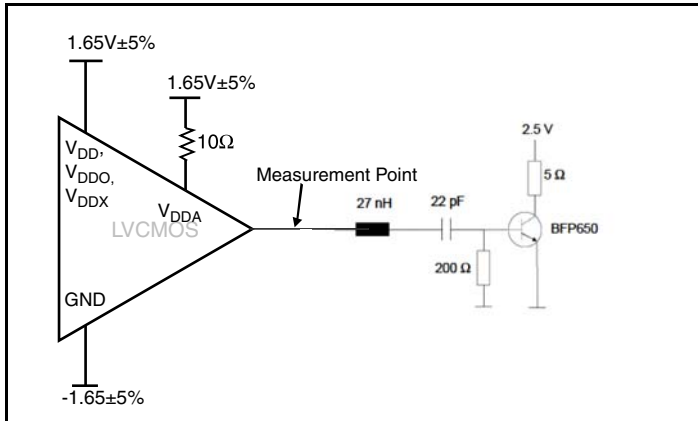
NOTE 1: Refer to the Phase Noise Plot.

NOTE 2: Lock Time measured from power-up to stable output frequency.

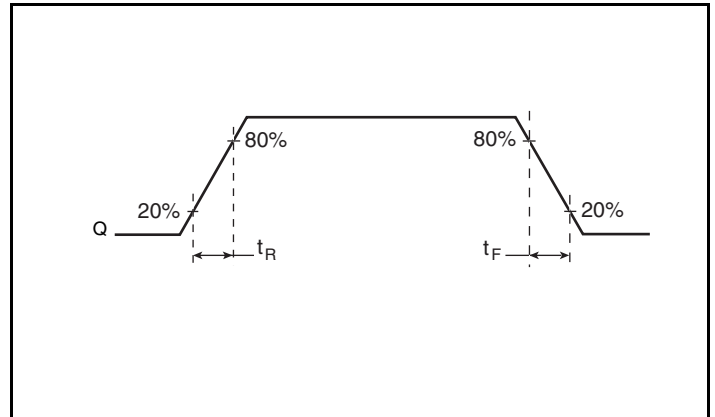
Typical Phase Noise at 148.3516MHz



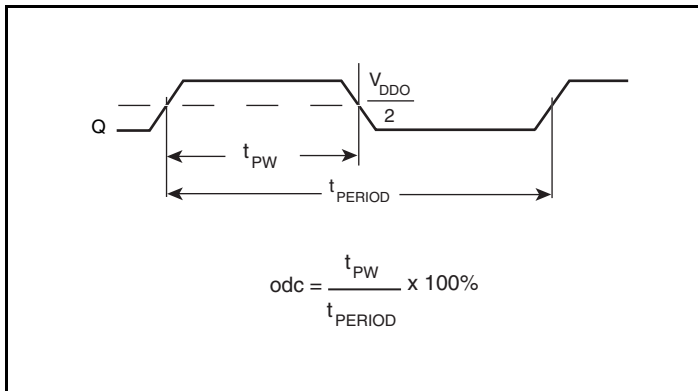
Parameter Measurement Information



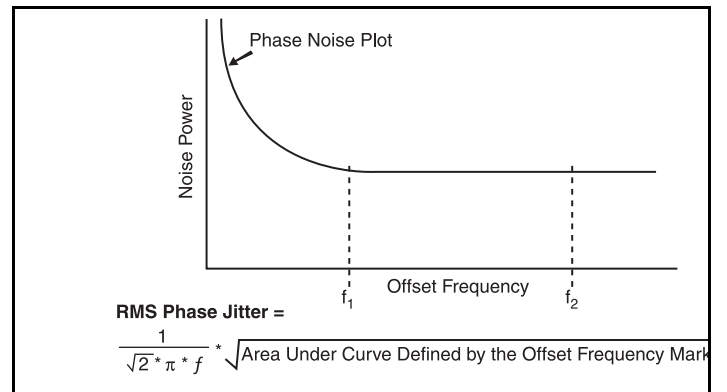
3.3V Output Load AC Test Circuit



Output Rise/Fall Time



Output Duty Cycle/Pulse Width/Period



Phase Jitter

Applications Information

Recommendations for Unused Input Pins

Inputs:

CLK Inputs

For applications not requiring the use of a clock input, it can be left floating. Though not required, but for additional protection, a $1k\Omega$ resistor can be tied from the CLK input to ground.

LVC MOS Control Pins

All control pins have internal pullups or pulldowns; additional resistance is not required but can be added for additional protection. A $1k\Omega$ resistor can be used.

Power Supply Filtering Technique

As in any high speed analog circuitry, the power supply pins are vulnerable to random noise. To achieve optimum jitter performance, power supply isolation is required. The 810001-21 provides separate power supplies to isolate any high switching noise from the outputs to the internal PLL. V_{DD} , V_{DDA} , V_{DDO} and V_{DDX} should be individually connected to the power supply plane through vias, and $0.01\mu\text{F}$ bypass capacitors should be used for each pin. *Figure 1* illustrates this for a generic V_{DD} pin and also shows that V_{DDA} requires that an additional 10Ω resistor along with a $10\mu\text{F}$ bypass capacitor be connected to the V_{DDA} pin.

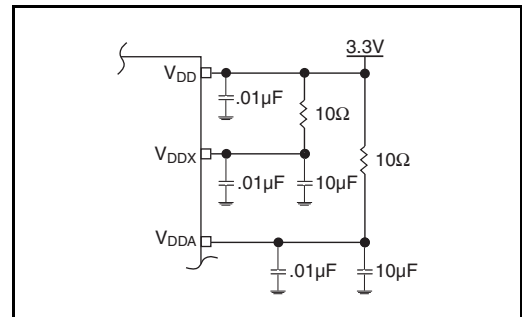


Figure 1. Power Supply Filtering

VFQFN EPAD Thermal Release Path

In order to maximize both the removal of heat from the package and the electrical performance, a land pattern must be incorporated on the Printed Circuit Board (PCB) within the footprint of the package corresponding to the exposed metal pad or exposed heat slug on the package, as shown in *Figure 2*. The solderable area on the PCB, as defined by the solder mask, should be at least the same size/shape as the exposed pad/slug area on the package to maximize the thermal/electrical performance. Sufficient clearance should be designed on the PCB between the outer edges of the land pattern and the inner edges of pad pattern for the leads to avoid any shorts.

While the land pattern on the PCB provides a means of heat transfer and electrical grounding from the package to the board through a solder joint, thermal vias are necessary to effectively conduct from the surface of the PCB to the ground plane(s). The land pattern must be connected to ground through these vias. The vias act as “heat pipes”. The number of vias (i.e. “heat pipes”) are application specific and dependent upon the package power dissipation as well as

electrical conductivity requirements. Thus, thermal and electrical analysis and/or testing are recommended to determine the minimum number needed. Maximum thermal and electrical performance is achieved when an array of vias is incorporated in the land pattern. It is recommended to use as many vias connected to ground as possible. It is also recommended that the via diameter should be 12 to 13mils (0.30 to 0.33mm) with 1oz copper via barrel plating. This is desirable to avoid any solder wicking inside the via during the soldering process which may result in voids in solder between the exposed pad/slug and the thermal land. Precautions should be taken to eliminate any solder voids between the exposed heat slug and the land pattern. Note: These recommendations are to be used as a guideline only. For further information, please refer to the Application Note on the Surface Mount Assembly of Amkor’s Thermally/Electrically Enhance Leadframe Base Package, Amkor Technology.

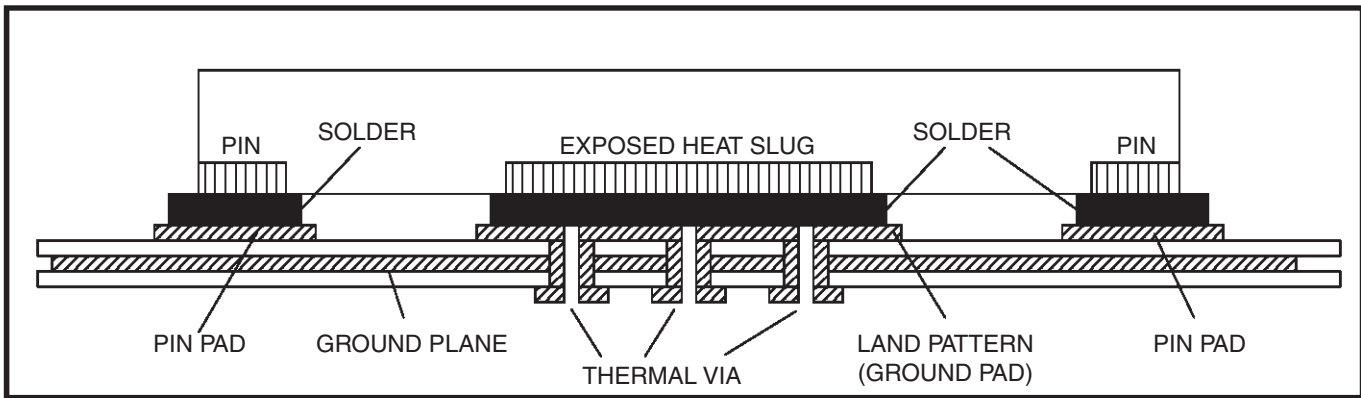
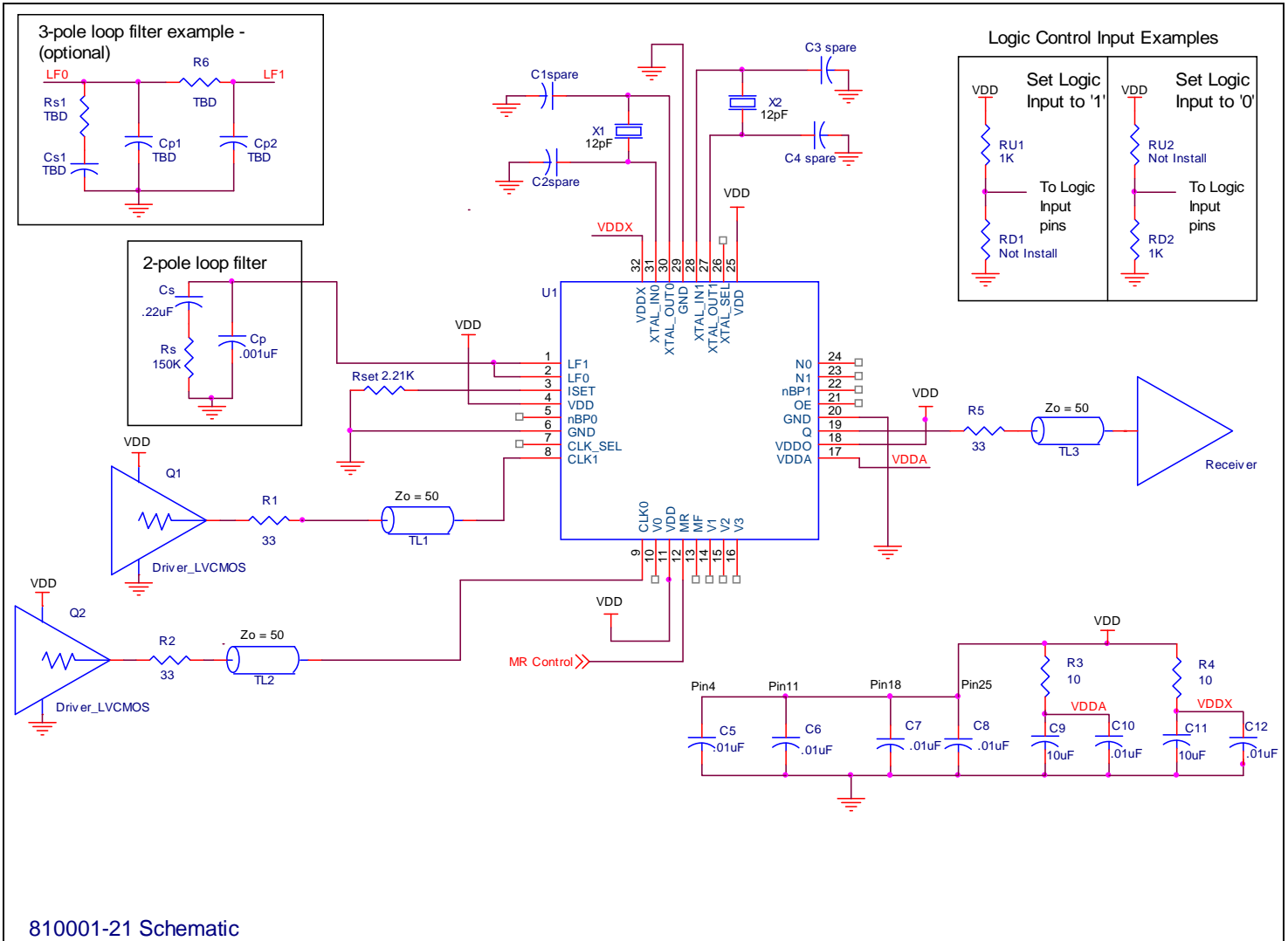


Figure 2. P.C. Assembly for Exposed Pad Thermal Release Path – Side View (drawing not to scale)

Schematic Example

Figure 3 shows an example of the 810001-21 application schematic. In this example, the device is operated at $V_{DD} = V_{DDX} = V_{DDO} = V_{DDA} = 3.3V$. The decoupling capacitors should be located as close as possible to the power pin. The input is driven by a 3.3V 17Ω LVC MOS driver. An optional 3-pole filter can also be used for additional spur reduction. It is recommended that the loop filter

components be laid out for the 3-pole option. This will also allow the 2-pole filter to be used. For the LVC MOS output, a termination example is shown in this schematic. For more termination approaches, please refer to the LVC MOS Termination Application Note.



810001-21 Schematic

Figure 3. 810001-21 Schematic Example

VCXO-PLL EXTERNAL COMPONENTS

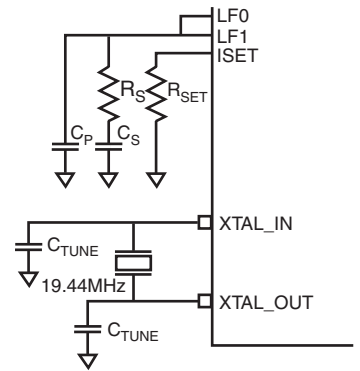
Choosing the correct external components and having a proper printed circuit board (PCB) layout is a key task for quality operation of the VCXO-PLL. In choosing a crystal, special precaution must be taken with the package and load capacitance (C_L). In addition, frequency, accuracy and temperature range must also be considered. Since the pulling range of a crystal also varies with the package, it is recommended that a metal-canned package like HC49 be used. Generally, a metal-canned package has a larger pulling range than a surface mounted device (SMD). For crystal selection information, refer to the *VCXO Crystal Selection Application Note*.

The crystal's load capacitance C_L characteristic determines its resonating frequency and is closely related to the VCXO tuning range. The total external capacitance seen by the crystal when installed on a board is the sum of the stray board capacitance, IC package lead capacitance, internal varactor capacitance and any installed tuning capacitors (C_{TUNE}).

If the crystal C_L is greater than the total external capacitance, the VCXO will oscillate at a higher frequency than the crystal specification. If the crystal C_L is lower than the total external capacitance, the VCXO will oscillate at a lower frequency than the crystal specification. In either case, the absolute tuning range is reduced. The correct value of C_L is dependent on the characteristics of the VCXO. The recommended C_L in the Crystal Parameter Table balances the tuning range by centering the tuning curve.

The frequency of oscillation in the third overtone mode is not necessarily at exactly three times the fundamental frequency. The mechanical properties of the quartz element dictate the position of the overtones relative to the fundamental. The oscillator circuit may excite both the fundamental and overtone modes simultaneously. This will cause a nonlinearity in the tuning curve.

This potential problem is why VCXO crystals are required to be tested for absence of any activity inside a ± 200 ppm window at three times the fundamental frequency. Refer to F_{L_3OVT} and $F_{L_3OVT_spurs}$ in the crystal Characteristics table. The crystal and external loop filter components should be kept as close as possible to the device. Loop filter and crystal traces should be kept short and separated from each other. Other signal traces should be kept separate and not run underneath the device, loop filter or crystal components.



VCXO Characteristics Table

Symbol	Parameter	Typical	Units
k_{VCXO}	VCXO Gain	6.6	kHz/V
C_{V_LOW}	Low Varactor Capacitance	15	pF
C_{V_HIGH}	High Varactor Capacitance	29	pF

VCXO-PLL Loop Bandwidth Selection Table

Bandwidth	Crystal Frequency (MHz)	M	R_S (k Ω)	C_S (μ F)	C_P (μ F)	R_{SET} (k Ω)
6Hz (Low)	27	4004	175	4.7	0.01	8.0
80Hz (Mid)	27	1000	150	0.22	0.001	2.21
475Hz (High)	27	92	125	0.1	0.0001	3.3

Crystal Characteristics

Symbol	Parameter	Test Conditions	Minimum	Typical	Maximum	Units
	Mode of Oscillation		Fundamental			
f _N	Frequency			27		MHz
				26.973		MHz
f _T	Frequency Tolerance				±20	ppm
f _S	Frequency Stability				±20	ppm
	Operating Temperature Range		0		70	°C
C _L	Load Capacitance			12		pF
C _O	Shunt Capacitance			4		pF
C _O / C ₁	Pullability Ratio			220	240	
F _{L_3OVT}	3 RD Overtone F _L		200			ppm
F _{L_3OVT_spurs}	3 RD Overtone F _L Spurs		200			ppm
ESR	Equivalent Series Resistance				20	Ω
	Drive Level				1	mW
	Aging @ 25 °C				±3 per year	ppm

Reliability Information
Table 6. θ_{JA} vs. Air Flow Table for a 32 Lead VFQFN

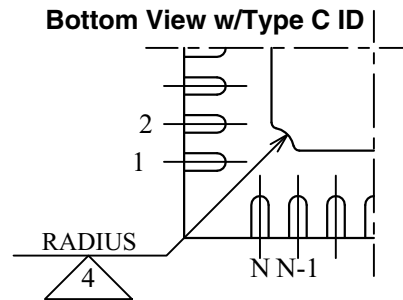
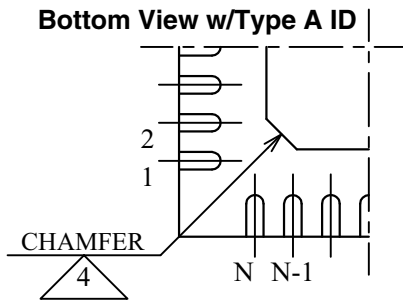
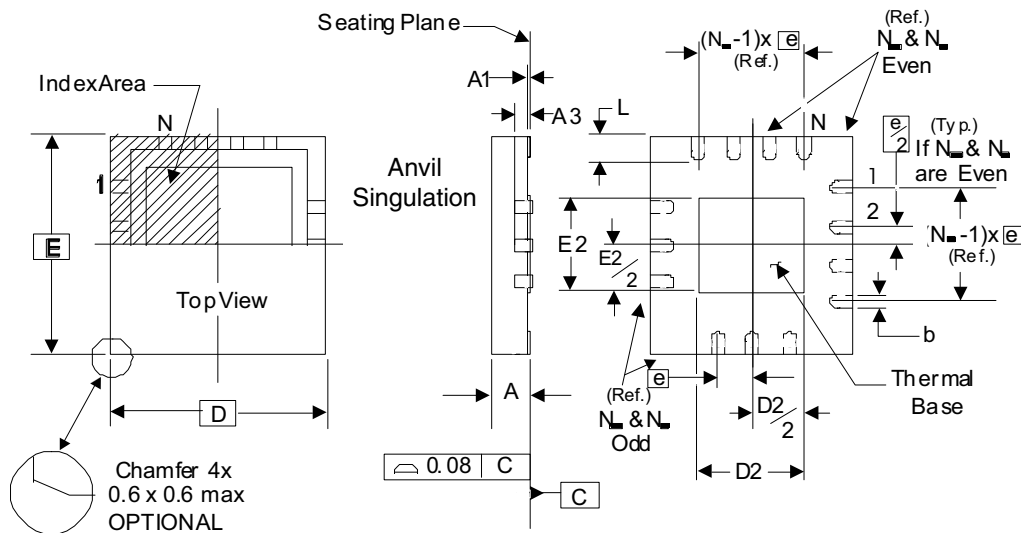
θ_{JA} vs. Air Flow			
Meters per Second	0	1	2.5
Multi-Layer PCB, JEDEC Standard Test Boards	37.0°C/W	32.4°C/W	29°C/W

Transistor Count

The transistor count for 810001-21 is: 9365

Package Outline and Package Dimensions

Package Outline - K Suffix for 32 Lead VFQFN



There are 2 methods of indicating pin 1 corner at the back of the VFQFN package:

1. Type A: Chamfer on the paddle (near pin 1)
2. Type C: Mouse bite on the paddle (near pin 1)

Table 7. Package Dimensions

JEDEC Variation: VHHD-2/-4 All Dimensions in Millimeters			
Symbol	Minimum	Nominal	Maximum
N	32		
A	0.80		1.00
A1	0		0.05
A3	0.25 Ref.		
b	0.18	0.25	0.30
N_D & N_E			8
D & E	5.00 Basic		
D2 & E2	3.0		3.3
e	0.50 Basic		
L	0.30	0.40	0.50

Reference Document: JEDEC Publication 95, MO-220

NOTE: The following package mechanical drawing is a generic drawing that applies to any pin count VFQFN package. This drawing is not intended to convey the actual pin count or pin layout of this device. The pin count and pinout are shown on the front page. The package dimensions are in Table 7.

Ordering Information

Table 8. Ordering Information

Part/Order Number	Marking	Package	Shipping Packaging	Temperature
810001DK-21LF	ICS0001D21L	"Lead-Free" 32 Lead VFQFN	Tray	0°C to 70°C
810001DK-21LFT	ICS0001D21L	"Lead-Free" 32 Lead VFQFN	Tape & Reel	0°C to 70°C

Revision History Sheet

Rev	Table	Page	Description of Change	Date
B	T4B	8 10 14 15 16	LVCMOS DC Characteristics Table - corrected typo in V_{IH} row from 3V min. to 2V min. Parameter Measurement Information - updated 3.3V Load AC Test Circuit Diagram. Replaced 4th paragraph in <i>VCXO-PLL External Components</i> section. Crystal Characteristics Table - added 3rd Overtone specs. Updated VFQFN Package Outline. Updated datasheet Header/Footer.	4/13/10
B	T8	17	Ordering Information - Removed leaded devices. Updated data sheet format	4/23/15
B	T8	17	Ordering Information - Deleted LF note below table. Removed quantity from tape and reel. Updated data sheet header and footer.	3/3/16



Corporate Headquarters
6024 Silver Creek Valley Road
San Jose, CA 95138 USA
www.IDT.com

Sales
1-800-345-7015 or 408-284-8200
Fax: 408-284-2775
www.IDT.com/go/sales

Tech Support
www.idt.com/go/support

DISCLAIMER Integrated Device Technology, Inc. (IDT) reserves the right to modify the products and/or specifications described herein at any time, without notice, at IDT's sole discretion. Performance specifications and operating parameters of the described products are determined in an independent state and are not guaranteed to perform the same way when installed in customer products. The information contained herein is provided without representation or warranty of any kind, whether express or implied, including, but not limited to, the suitability of IDT's products for any particular purpose, an implied warranty of merchantability, or non-infringement of the intellectual property rights of others. This document is presented only as a guide and does not convey any license under intellectual property rights of IDT or any third parties.

IDT's products are not intended for use in applications involving extreme environmental conditions or in life support systems or similar devices where the failure or malfunction of an IDT product can be reasonably expected to significantly affect the health or safety of users. Anyone using an IDT product in such a manner does so at their own risk, absent an express, written agreement by IDT.

Integrated Device Technology, IDT and the IDT logo are trademarks or registered trademarks of IDT and its subsidiaries in the United States and other countries. Other trademarks used herein are the property of IDT or their respective third party owners.

For datasheet type definitions and a glossary of common terms, visit www.idt.com/go/glossary.

Copyright ©2016 Integrated Device Technology, Inc. All rights reserved.