

阅读申明

- 1.本站收集的数据手册和产品资料都来自互联网，版权归原作者所有。如读者和版权方有任何异议请及时告之，我们将妥善解决。
- 2.本站提供的中文数据手册是英文数据手册的中文翻译，其目的是协助用户阅读，该译文无法自动跟随原稿更新，同时也可能存在翻译上的不当。建议读者以英文原稿为参考以便获得更精准的信息。
- 3.本站提供的产品资料，来自厂商的技术支持或者使用者的心得体会等，其内容可能存在描述上的差异，建议读者做出适当判断。
- 4.如需与我们联系，请发邮件到marketing@iczoom.com，主题请标有“数据手册”字样。

Read Statement

1. The datasheets and other product information on the site are all from network reference or other public materials, and the copyright belongs to the original author and original published source. If readers and copyright owners have any objections, please contact us and we will deal with it in a timely manner.
2. The Chinese datasheets provided on the website is a Chinese translation of the English datasheets. Its purpose is for reader's learning exchange only and do not involve commercial purposes. The translation cannot be automatically updated with the original manuscript, and there may also be improper translations. Readers are advised to use the English manuscript as a reference for more accurate information.
3. All product information provided on the website refer to solutions from manufacturers' technical support or users the contents may have differences in description, and readers are advised to take the original article as the standard.
4. If you have any questions, please contact us at marketing@iczoom.com and mark the subject with "Datasheets" .



FEATURES

HIGHLIGHTS

- Jitter generation <0.3 ps RMS (10 kHz to 20 MHz), meets jitter generation requirements of leading PHYs supporting 10GBASE-R, 10GBASE-W, 40GBASE-R, OC-192 and STM-64
- Features 0.5 mHz to 35 Hz bandwidth
- Provides node clock for ITU-T G.8261/G.8262 Synchronous Ethernet (SyncE)
- Provides node clocks for Cellular and WLL base-station (GSM and 3G networks)
- Provides clocks for DSL access concentrators (DSLAM), especially for Japan TCM-ISDN network timing based ADSL equipments
- Provides clocks for 1 Gigabit, 10 Gigabit, and 40 Gigabit Ethernet
- Supports clock generation for IEEE-1588 applications

MAIN FEATURES

- Provides an integrated solution for Synchronous Equipment Timing Source, including Stratum 3, SMC, EEC-Option 1 and EEC-Option 2 Clocks
- Integrates T4 DPLL and T0 DPLL; T4 DPLL locks independently or locks to T0 DPLL
- Supports programmable DPLL bandwidth (0.5 mHz to 35 Hz) and damping factor (1.2 to 20 in 5 steps)
- Supports 1.1×10^{-5} ppm absolute holdover accuracy and 4.4×10^{-8} ppm instantaneous holdover accuracy
- Supports hitless reference switching to minimize phase transients on T0 DPLL output to be no more than 0.61 ns
- Integrates 2 jitter attenuating APLLs to generate ultra-low jitter clocks
 - Supports 3 clock modes: SONET, Ethernet, and Ethernet LAN-PHY
 - Supports up to two crystal connections, allowing each APLL to support up to two modes of operation
- Supports input and output clocks whose frequencies range from 1PPS to 644.53125 MHz
 - Includes 1PPS clock input and output
 - Provides IN1 and IN2 for 64 kHz + 8 kHz or 64 kHz + 8 kHz + 0.4 kHz composite clocks
 - Provides IN3, IN4, IN7~IN14 input CMOS clocks whose frequencies range from 1PPS to 156.25 MHz
 - Provides IN5 and IN6 input differential clocks whose frequencies range from 1PPS to 625 MHz

- Provides OUT1 to OUT5 output CMOS clocks whose frequency cover from 1PPS to 125 MHz
- Provides OUT6,OUT7,OUT10 and OUT11 output differential clocks whose frequency cover from 25 MHz to 644.53125 MHz
- Provides OUT8 for composite clocks and OUT9 for 1.544 MHz/2.048 MHz (BITS/SSU)
- Provides output clocks for BITS, GPS, 3G, GSM, etc.
- Provides a 1PPS, 2 kHz, 4 kHz, or 8 kHz frame sync input signal, and a 1PPS, 2 kHz or 8 kHz frame sync output signal
- Internal DCO can be controlled by an external processor to be used for IEEE-1588 clock generation
- Supports programmable input-to-output phase offset adjustment
- Limits the phase and frequency offset of the outputs
- Supports Forced or Automatic operating mode switch controlled by an internal state machine. Automatic mode switch supports Free-Run, Locked and Holdover modes
- Supports manual and automatic selected input clock switch
- Supports automatic hitless selected input clock switch on clock failure
- Supports three types of input clock sources: recovered clock from STM-N or OC-n, PDH network synchronization timing and external synchronization reference timing
- Supports AMI, LVPECL/LVDS and CMOS input/output technologies
- Supports Master/Slave application (two chips used together) to enable system protection against single chip failure
- Supports Telcordia GR-1244-CORE, Telcordia GR-253-CORE, ITU-T G.812, ITU-T G.8262, ITU-T G.813 and ITU-T G.783 Recommendations

OTHER FEATURES

- I2C Microprocessor interface
- IEEE 1149.1 JTAG Boundary Scan
- Single 3.3 V operation with 5 V tolerant CMOS I/Os
- 1mm ball pitch CABGA green package

APPLICATIONS

- SMC / SEC (SONET / SDH equipment)
- EEC (Synchronous Ethernet equipment)
- Core and access IP switches / routers
- Gigabit and Terabit IP switches / routers
- Cellular and WLL base-station node clocks
- Broadband and multi-service access equipment

DESCRIPTION

The 82V3910 Synchronous Ethernet (SyncE) SETS meets the requirements of ITU-T G.8262/G.813 for EEC/SEC options 1 and 2; and it meets the requirements of Telcordia GR-253-CORE Stratum 3 (S3) and SONET Minimum Clock (SMC). The 82V3910 ultra-low jitter output clocks can be used to directly synchronize 10GBASE-R/10GBASE-W and OC-192/STM-64 PHYs and 40GBASE-R PHYs in Synchronous Ethernet and SONET/SDH equipment.

The Synchronous Equipment Timing Source (SETS) functions are provided by two independent digital PLLs (DPLLs), T0 and T4, each with embedded clock synthesizers. The T0 DPLL meets the network synchronization requirements for frequency accuracy, pull-in, hold-in, pull-out, noise generation, noise tolerance, transient response and holdover performance. The T4 DPLL provides rate conversion functions that can be used, for example, to convert a recovered line clock to a 1.544 MHz, 2.048MHz or 64 kHz synchronization reference for external equipment.

The 82V3910 provides ten single ended reference inputs and two differential reference inputs that can operate at common Ethernet, SONET/SDH and PDH frequencies and other frequencies. The device also provides two Alternate Mark Inversion (AMI) inputs for Composite Clock (CC) signals bearing 64 kHz, 8 kHz and 0.4 kHz synchronization information. The references are continually monitored for loss of signal and for frequency offset per user programmed thresholds. All of the references are available to both digital PLLs (DPLLs). The active reference for each DPLL is determined by forced selection or by automatic selection based on user programmed priorities and locking allowances and based on the reference monitors.

The 82V3910 can accept a clock reference and a phase locked external sync signal as a pair. The T0 DPLL can lock to the reference clock input and align its frame sync and multi-frame sync outputs with the paired external sync input. The device provides to two external sync inputs that can be associated with any of the twelve reference inputs to create up to two pairs. The external sync signals can have a frequency of 1 Hz, 2 kHz or 8 kHz. This feature enables the T0 DPLL to phase align its frame sync and multi-frame sync outputs with an external sync input without the need use a low bandwidth setting to lock directly to an external sync input.

Both DPLLs support four primary operating modes: Free-Run, Locked, Holdover and Digitally Controlled Oscillator (DCO) Control. In Free-Run mode the DPLLs generate clocks based on the master clock

alone. In Locked mode the DPLLs filter reference clock jitter with the selected bandwidth. In Locked mode the long-term DPLL frequency accuracy is the same as the long term frequency accuracy of the selected input reference. In Holdover mode the DPLL uses frequency data acquired while in Locked mode to generate accurate frequencies when input references are not available. In DCO Control Mode the DPLL control loop is opened and the DCO can be used by an algorithm (e.g. IEEE 1588 clock servo) running on an external processor to synthesize clock signals.

The 82V3910 requires a 12.8 MHz master clock for its reference monitors and other digital circuitry. The frequency accuracy of the master clock determines the frequency accuracy of the DPLLs in Free-Run mode. The frequency stability of the master clock determines the frequency stability of the DPLLs in Free-Run mode and in Holdover mode.

The T0 DPLL can be configured with a range of selectable filtering bandwidths from 0.5 mHz to 35 Hz. The 15 mHz and lower bandwidths can be used to lock the T0 DPLL directly to a 1 pulse per second (PPS) reference. The 0.1 Hz bandwidth can be used for G.8262/G.813 Option 2 or Telcordia GR-253-CORE S3 or SMC applications. The bandwidths in the range 1.2 Hz to 8 Hz can be used for G.8262/G.813 Option 1 applications. The bandwidths 18 Hz and 35 Hz can be used in jitter attenuation and rate conversion applications.

The T4 DPLL can be configured with filtering bandwidths of 18Hz or 35 Hz.

The clocks synthesized by the 82V3910 DPLLs can be passed through either of the two independent voltage controlled crystal oscillator (VCXO) based jitter attenuating analog PLLs (APLLs). Both APLLs drive two independent dividers that have differential outputs. The APLLs use external crystal resonators with resonant frequencies equal to the APLL base frequency divided by 25. Both APLLs can be provisioned with one or two selectable crystal resonators to support up to two base frequencies per APLL. The output clocks generated by the APLLs exhibit jitter below 0.30ps RMS over the integration range 10 kHz to 20 MHz for most output frequencies.

Any of the 82V3910 DPLL clocks can be routed through a mux to any of five single ended outputs via independent output dividers. The output of the T0 DPLL can be routed through the two auto-dividers to the single ended frame sync output that operates at 8 kHz or 1 PPS,

FUNCTIONAL BLOCK DIAGRAM

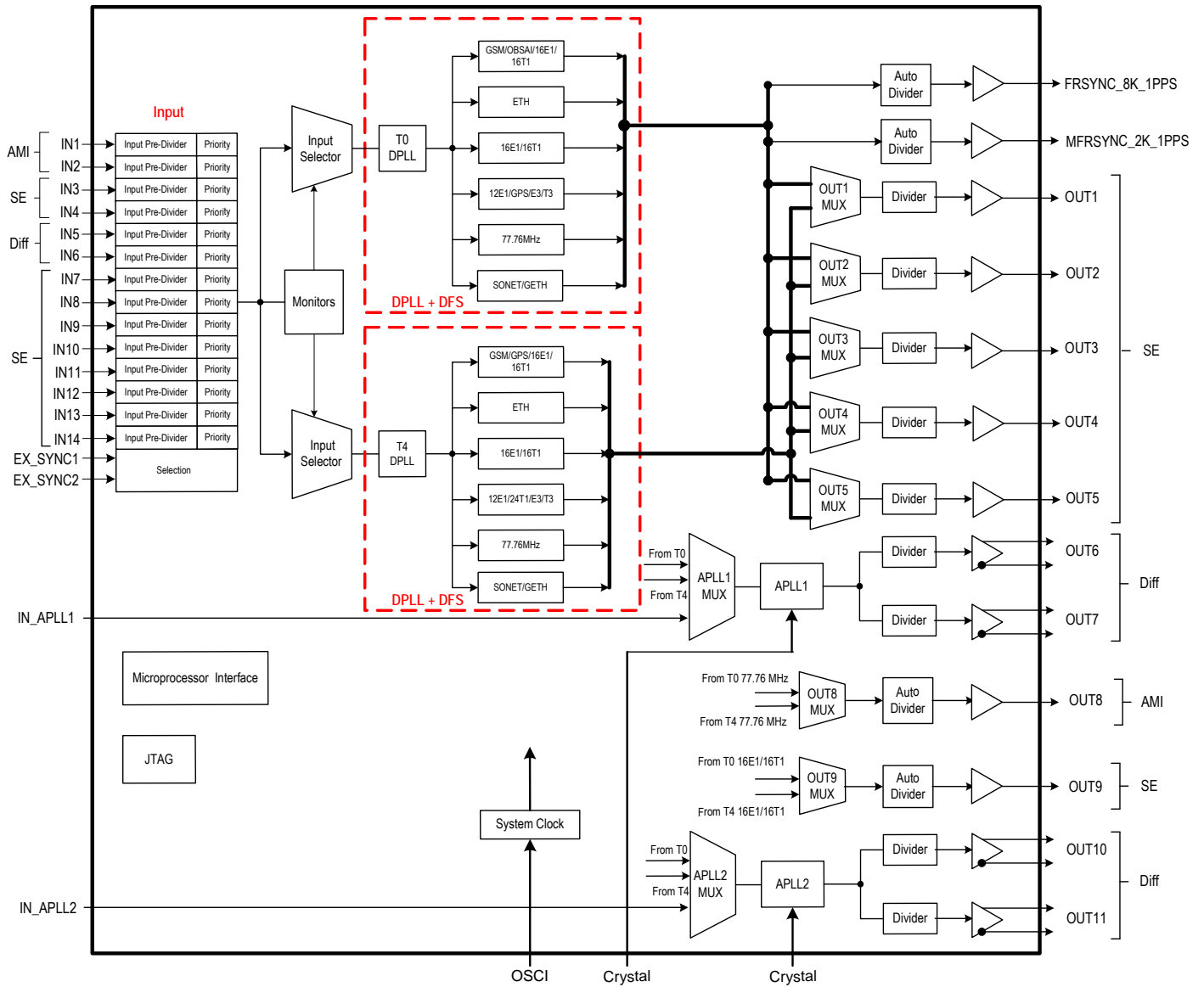


Figure 1. Functional Block Diagram

1 PIN ASSIGNMENT

	1	2	3	4	5	6	7	8	9	10	11	12	13	14	
A	IC10	VDDA	XTAL1_IN	CAP1	IN_APLL1_NEG	OUT8_NEG	IN1	TDI	IC7	FF_SRC5W	OSCI	TMS	IC6	TRST	A
B	IC11	VSSA	XTAL1_OUT	VSSAO	IN_APLL1_POS	OUT8_POS	IN2	TDO/ TO_LOS_INT	VSSAO	TCK	VSSA	VSSA	VSSDO	VDDDO	B
C	IC4	VDDA	NC	CAP2	MFRSYNC_2_K_1PPS	FRSYNC_8K_1PPS	VDDDO	VSSDO	VDDA	VSSA	VDDA	VDDA	INT_REQ	OUT9	C
D	VSSA	VSSAO	CAP3	VSSA	VDDA	MS/SL	VSSD	VDDD	IC2	VDDA	VSSA	VDDA	OUT4	OUT5	D
E	XTAL3_IN	XTAL3_OUT	VSSA	VSSAO	VSSA	SONET/SDH	VSSD	VDDD	IC1	VSSA	VDDA	VSSA	OUT2	OUT3	E
F	VDDD	VSSD	VSSAO	VSSA	VDDA	VSSAO	VSSD	VDDD	VSSD	VDDD	EX_SYNC1	VDDDO	OUT1	VSSDO	F
G	VSSD	VDDD	VSSAO	VSSAO	VSSAO	VSSD	VDDD	IC3	VDDD	VSSD	EX_SYNC2	IN12	IN11	IN13	G
H	VDDAO	VSSAO	VDDAO	VSSAO	VSSAO	VSSAO	VSSD	VDDD	VSSD	VDDD	IN10	IN14	RST	IN3	H
J	OUT6_NEG	OUT6_POS	VDDAO	VSSAO	VDDAO	VSSAO	VDDAO	VSSAO	VSSA	VDDA	T0_LOCK	IN9	IN4	IN7	J
K	VSSAO	VSSAO	VSSAO	VDDAO	VSSAO	VDDAO	VSSAO	VSSD	VDDD	VSSAO	T4_LOCK	IN8	I2C_SCL	I2C_SDA	K
L	OUT7_NEG	OUT7_POS	VDDAO	VSSAO	VSSAO	VSSAO	VSSAO	I2C_AD1	I2C_AD2	CAP4	VSSA	CAP5	VSSA	CAP6	L
M	VDDAO	VSSAO	VSSAO	VSSAO	VDDAO	VSSAO	VDDAO	VSSAO	VSSAO	VSSAO	VSSAO	NC	XTAL4_OUT	XTAL4_IN	M
N	VSSAO	OUT10_POS	VSSAO	OUT11_POS	VSSAO	IN_APLL2_POS	IN5_POS	IN6_POS	VSSA	XTAL2_OUT	VSSA	IC9	VSSAO	VSSA	N
P	VDDAO	OUT10_NEG	VSSAO	OUT11_NEG	VDDAO	IN_APLL2_NEG	IN5_NEG	IN6_NEG	VDDA	XTAL2_IN	VDDA	IC8	IC5	VDDA	P
	1	2	3	4	5	6	7	8	9	10	11	12	13	14	
Key:															
	Diff Outputs	Outputs	Inputs	Power	Ground										

Figure 2. Pin Assignment (Top View)

2 PIN DESCRIPTION

Table 1: Pin Description

Name	Pin No.	I/O	Type	Description ¹
Global Control Signal				
OSCI	A11	I	CMOS	OSCI: Crystal Oscillator Master Clock A nominal 12.8000 MHz clock provided by a crystal oscillator is input on this pin. It is the master clock for the device.
FF_SRC SW	A10	I pull-down	CMOS	FF_SRC SW: External Fast Selection Enable During reset, this pin determines the default value of the EXT_SW bit (b4, MON_SW_HS_CNFG). The EXT_SW bit determines whether the External Fast Selection is enabled. High: The default value of the EXT_SW bit (b4, MON_SW_HS_CNFG) is '1' (External Fast selection is enabled); Low: The default value of the EXT_SW bit (b4, MON_SW_HS_CNFG) is '0' (External Fast selection is disabled). After reset, this pin selects an input clock pair for the T0 DPLL if the External Fast selection is enabled: High: Pair IN3 / IN5 is selected. Low: Pair IN4 / IN6 is selected. After reset, the input on this pin takes no effect if the External Fast selection is disabled.
MS/SL	D6	I pull-up	CMOS	MS/SL: Master / Slave Selection This pin, together with the MS_SL_CTRL bit (b0, MS_SL_CTRL_CNFG), controls whether the device is configured as the Master or as the Slave. Refer to Chapter 3.14 Master / Slave Configuration for details. The signal level on this pin is reflected by the MASTER_SLAVE bit (b1, INPUT_MODE_CNFG). High: The value of the MASTER_SLAVE bit is '1' Low: The value of the MASTER_SLAVE bit is '0'
SONET/SDH	E6	I pull-down	CMOS	SONET/SDH: SONET / SDH Frequency Selection During reset, this pin determines the default value of the IN_SONET_SDH bit (b2, INPUT_MODE_CNFG): High: The default value of the IN_SONET_SDH bit is '1' (SONET); Low: The default value of the IN_SONET_SDH bit is '0' (SDH). After reset, the value on this pin takes no effect.
RST	H13	I pull-up	CMOS	RST: Reset A low pulse of at least 50 μ s on this pin resets the device. After this pin is high, the device will still be held in reset state for 500 ms (typical).
Frame Synchronization Input Signal				
EX_SYNC1	F11	I pull-down	CMOS	EX_SYNC1: External Sync Input 1 A 2 kHz, 4 kHz, 8 kHz, or 1PPS signal is input on this pin.
EX_SYNC2	G11	I pull-down	CMOS	EX_SYNC2: External Sync Input 1 A 2 kHz, 4 kHz, 8 kHz, or 1PPS signal is input on this pin.
Input Clock				
IN1	A7	I	AMI	IN1: Input Clock 1 A 64 kHz + 8 kHz or 64 kHz + 8 kHz + 0.4 kHz composite clock is input on this pin.
IN2	B7	I	AMI	IN2: Input Clock 2 A 64 kHz + 8 kHz or 64 kHz + 8 kHz + 0.4 kHz composite clock is input on this pin.
IN3	H14	I pull-down	CMOS	IN3: Input Clock 3 A 1 PPS, 2 kHz, 4 kHz, N x 8 kHz ³ , 1.544 MHz (SONET) / 2.048 MHz (SDH), 6.25 MHz, 6.48 MHz, 10MHz, 19.44 MHz, 25MHz, 25.92 MHz, 38.88 MHz, 51.84 MHz, 77.76 MHz, 125MHz, 155.52 MHz or 156.25 MHz clock is input on this pin.

Table 1: Pin Description (Continued)

Name	Pin No.	I/O	Type	Description ¹
IN4	J13	I pull-down	CMOS	IN4: Input Clock 4 A 1 PPS, 2 kHz, 4 kHz, N x 8 kHz ³ , 1.544 MHz (SONET) / 2.048 MHz (SDH), 6.25 MHz, 6.48 MHz, 10MHz, 19.44 MHz, 25MHz, 25.92 MHz, 38.88 MHz, 51.84 MHz, 77.76 MHz, 125MHz, 155.52 MHz or 156.25 MHz clock is input on this pin.
IN5_POS IN5_NEG	N7 P7	I	LVPECL/LVDS	IN5_POS / IN5_NEG: Positive / Negative Input Clock 5 A 1 PPS, 2 kHz, 4 kHz, N x 8 kHz ³ , 1.544 MHz (SONET) / 2.048 MHz (SDH), 6.25 MHz, 6.48 MHz, 10MHz, 19.44 MHz, 25MHz, 25.92 MHz, 38.88 MHz, 51.84 MHz, 77.76 MHz, 155.52 MHz, 156.25 MHz, 311.04 MHz, 312.5 MHz, 622.08 MHz or 625 MHz clock is differentially input on this pair of pins. Whether the clock signal is LVPECL or LVDS is automatically detected. Single-ended input for differential input is also supported. Refer to Chapter 7.3.3.5 Single-Ended Input for Differential Input .
IN6_POS IN6_NEG	N8 P8	I	LVPECL/LVDS	IN6_POS / IN6_NEG: Positive / Negative Input Clock 6 A 1 PPS, 2 kHz, 4 kHz, N x 8 kHz ³ , 1.544 MHz (SONET) / 2.048 MHz (SDH), 6.25 MHz, 6.48 MHz, 10MHz, 19.44 MHz, 25MHz, 25.92 MHz, 38.88 MHz, 51.84 MHz, 77.76 MHz, 155.52 MHz, 156.25 MHz, 311.04 MHz or 312.5 MHz, 622.08 MHz or 625 MHz clock is differentially input on this pair of pins. Whether the clock signal is LVPECL or LVDS is automatically detected. Single-ended input for differential input is also supported. Refer to Chapter 7.3.3.5 Single-Ended Input for Differential Input .
IN7	J14	I pull-down	CMOS	IN7: Input Clock 7 A 1 PPS, 2 kHz, 4 kHz, N x 8 kHz ³ , 1.544 MHz (SONET) / 2.048 MHz (SDH), 6.25 MHz, 6.48 MHz, 10MHz, 19.44 MHz, 25MHz, 25.92 MHz, 38.88 MHz, 51.84 MHz, 77.76 MHz, 125MHz, 155.52 MHz or 156.25 MHz clock is input on this pin.
IN8	K12	I pull-down	CMOS	IN8: Input Clock 8 A 1 PPS, 2 kHz, 4 kHz, N x 8 kHz ³ , 1.544 MHz (SONET) / 2.048 MHz (SDH), 6.25 MHz, 6.48 MHz, 10MHz, 19.44 MHz, 25MHz, 25.92 MHz, 38.88 MHz, 51.84 MHz, 77.76 MHz, 125MHz, 155.52 MHz or 156.25 MHz clock is input on this pin.
IN9	J12	I pull-down	CMOS	IN9: Input Clock 9 A 1 PPS, 2 kHz, 4 kHz, N x 8 kHz ³ , 1.544 MHz (SONET) / 2.048 MHz (SDH), 6.25 MHz, 6.48 MHz, 10MHz, 19.44 MHz, 25MHz, 25.92 MHz, 38.88 MHz, 51.84 MHz, 77.76 MHz, 155.52 MHz or 156.25 MHz clock is input on this pin.
IN10	H11	I pull-down	CMOS	IN10: Input Clock 10 A 1 PPS, 2 kHz, 4 kHz, N x 8 kHz ³ , 1.544 MHz (SONET) / 2.048 MHz (SDH), 6.25 MHz, 6.48 MHz, 10MHz, 19.44 MHz, 25MHz, 25.92 MHz, 38.88 MHz, 51.84 MHz, 77.76 MHz, 155.52 MHz or 156.25 MHz clock is input on this pin.
IN11	G13	I pull-down	CMOS	IN11: Input Clock 11 A 1 PPS, 2 kHz, 4 kHz, N x 8 kHz ³ , 1.544 MHz (SONET) / 2.048 MHz (SDH), 6.25 MHz, 6.48 MHz, 10MHz, 19.44 MHz, 25MHz, 25.92 MHz, 38.88 MHz, 51.84 MHz, 77.76 MHz, 155.52 MHz or 156.25 MHz clock is input on this pin. In Slave operation, the frequency of the T0 selected input clock IN11 is recommended to be 6.48 MHz.
IN12	G12	I pull-down	CMOS	IN12: Input Clock 12 A 1 PPS, 2 kHz, 4 kHz, N x 8 kHz ³ , 1.544 MHz (SONET) / 2.048 MHz (SDH), 6.25 MHz, 6.48 MHz, 10MHz, 19.44 MHz, 25MHz, 25.92 MHz, 38.88 MHz, 51.84 MHz, 77.76 MHz, 155.52 MHz or 156.25 MHz clock is input on this pin.
IN13	G14	I pull-down	CMOS	IN13: Input Clock 13 A 1 PPS, 2 kHz, 4 kHz, N x 8 kHz ³ , 1.544 MHz (SONET) / 2.048 MHz (SDH), 6.25 MHz, 6.48 MHz, 10MHz, 19.44 MHz, 25MHz, 25.92 MHz, 38.88 MHz, 51.84 MHz, 77.76 MHz, 155.52 MHz or 156.25 MHz clock is input on this pin.

Table 1: Pin Description (Continued)

Name	Pin No.	I/O	Type	Description ¹
IN14	H12	I pull-down	CMOS	IN14: Input Clock 14 A 1 PPS, 2 kHz, 4 kHz, N x 8 kHz ³ , 1.544 MHz (SONET) / 2.048 MHz (SDH), 6.25 MHz, 6.48 MHz, 10MHz, 19.44 MHz, 25MHz, 25.92 MHz, 38.88 MHz, 51.84 MHz, 77.76 MHz, 155.52 MHz or 156.25 MHz clock is input on this pin.
IN_APLL1_POS	B5	I pull-down	LVPECL/LVDS/ LVHSTL/SSTL/ HCSL	IN_APLL1_POS / IN_APLL1_NEG: Input Clock to APLL1 Direct input clock to APLL1. This pin is used for test. It can be left floating or a 1kΩ resistor can be tied from IN_APLL1_POS to ground.
IN_APLL1_NEG	A5	I pull-up/ pull-down		
IN_APLL2_POS	N6	I pull-down	LVPECL/LVDS/ LVHSTL/SSTL/ HCSL	IN_APLL2_POS / IN_APLL2_NEG: Input Clock APLL2 Direct input clock to APLL2. This pin is used for test. It can be left floating or a 1kΩ resistor can be tied from IN_APLL2_POS to ground.
IN_APLL2_NEG	P6	I pull-up/ pull-down		
Output Frame Synchronization Signal				
FRSYN- C_8K_1PPS	C6	O	CMOS	FRSYNC_8K_1PPS: 8 kHz Frame Sync Output An 8 kHz signal or a 1PPS Frame Pulse is output on this pin.
MFRSYN- C_2K_1PPS	C5	O	CMOS	MFRSYNC_2K_1PPS: 2 kHz Multiframe Sync Output A 2 kHz signal or a 1PPS Frame Pulse is output on this pin.
Output Clock				
OUT1 OUT2 OUT3 OUT4 OUT5	F13 E13 E14 D13 D14	O	CMOS	OUT1 ~ OUT5: Output Clock 1 ~ 5 A 1 pps, 400 Hz, 2 kHz, 8 kHz, 64 kHz, N x E1 ⁴ , N x T1 ⁵ , N x 13.0 MHz ⁶ , N x 3.84 MHz ⁷ , 5 MHz, 10 MHz, 20 MHz, E3, T3, 6.48 MHz, 19.44 MHz, 25.92 MHz, 38.88 MHz, 51.84 MHz, 77.76 MHz, 25MHz, or 125 MHz clock is output on these pins.
OUT6_POS OUT6_NEG	J2 J1	O	LVPECL/LVDS	OUT6_POS / OUT6_NEG: Positive / Negative Output Clock 6 A SONET based (77.76 MHz, 155.52 MHz, 311.04 MHz, 622.08 MHz), Ethernet based (25 MHz, 125 MHz, 156.25 MHz, 312.5 MHz, 625 MHz), or Ethernet LAN based (161.1328125 MHz, 322.265625 MHz, 644.53125 MHz) clock is differentially output on this pair of pins from APLL1.
OUT7_POS OUT7_NEG	L2 L1	O	LVPECL/LVDS	OUT7_POS / OUT7_NEG: Positive / Negative Output Clock 7 A SONET based (77.76 MHz, 155.52 MHz, 311.04 MHz, 622.08 MHz), Ethernet based (25 MHz, 125 MHz, 156.25 MHz, 312.5 MHz, 625 MHz), or Ethernet LAN based (161.1328125 MHz, 322.265625 MHz, 644.53125 MHz) clock is differentially output on this pair of pins from APLL1.
OUT8_POS OUT8_NEG	B6 A6	O	AMI	OUT8_POS / OUT8_NEG: Positive / Negative Output Clock 8 A 64 kHz + 8 kHz or 64 kHz + 8 kHz + 0.4 kHz composite clock is differentially output on this pair of pins.
OUT9	C14	O	CMOS	OUT9: Output Clock 9 A 1.544 MHz (SONET) / 2.048 MHz (SDH) BITS/SSU clock is output on this pin.
OUT10_POS OUT10_NEG	N2 P2	O	LVPECL/LVDS	OUT10_POS / OUT10_NEG: Positive / Negative Output Clock 10 A SONET based (77.76 MHz, 155.52 MHz, 311.04 MHz, 622.08 MHz), Ethernet based (25 MHz, 125 MHz, 156.25 MHz, 312.5 MHz, 625 MHz), or Ethernet LAN based (161.1328125 MHz, 322.265625 MHz, 644.53125 MHz) clock is differentially output on this pair of pins from APLL2.
OUT11_POS OUT11_NEG	N4 P4	O	LVPECL/LVDS	OUT11_POS / OUT11_NEG: Positive / Negative Output Clock 11 A SONET based (77.76 MHz, 155.52 MHz, 311.04 MHz, 622.08 MHz), Ethernet based (25 MHz, 125 MHz, 156.25 MHz, 312.5 MHz, 625 MHz), or Ethernet LAN based (161.1328125 MHz, 322.265625 MHz, 644.53125 MHz) clock is differentially output on this pair of pins from APLL2.
Miscellaneous				
CAP1, CAP2, CAP3	A4, C4, D3	O	Analog	CAP1, CAP2 and CAP3: Analog Power Filter Capacitor connection 1 to 3 Connect a 10uF capacitor in parallel with a low ESR 100nF capacitor between these pins and VSS1

Table 1: Pin Description (Continued)

Name	Pin No.	I/O	Type	Description ¹
CAP4, CAP5, CAP6	L10, L12, L14	O	Analog	CAP4, CAP5 and CAP6: Analog Power Filter Capacitor connection 4 to 6 Connect a 10uF capacitor in parallel with a low ESR 100nF capacitor between these pins and VSS2
XTAL1_IN	A3	I	Analog	Crystal oscillator 1 input. Determines first of two frequency families (Sonet/SDH, Ethernet or Ethernet*66/64) available for APLL1. Connect to ground if XTAL1 is not used.
XTAL1_OUT	B3	O	Analog	Crystal oscillator 1 output. Leave open if XTAL1 is not used.
XTAL2_IN	P10	I	Analog	Crystal oscillator 2 input. Determines first of two frequency families (chosen from Sonet/SDH, Ethernet or Ethernet*66/64) available for APLL2. Connect to ground if XTAL2 is not used
XTAL2_OUT	N10	O	Analog	Crystal oscillator 2 output. Leave open if XTAL2 is not used.
XTAL3_IN	E1	I	Analog	Crystal oscillator 3 input. Determines second of two frequency families (chosen from Sonet/SDH, Ethernet or Ethernet*66/64) available for APLL1. Connect to ground if XTAL3 is not used.
XTAL3_OUT	E2	O	Analog	Crystal oscillator 3 output. Leave open if XTAL3 is not used.
XTAL4_IN	M14	I	Analog	Crystal oscillator 4 input. Connect to ground if XTAL4 is not used. Determines second of two frequency families (chosen from Sonet/SDH, Ethernet or Ethernet*66/64) available for APLL2.
XTAL4_OUT	M13	O	Analog	Crystal oscillator 4 output. Leave open if XTAL4 is not used.
Lock Indication Signals				
T4_LOCK	K11	O	CMOS	T4 lock indicator. This pin goes high when T4 is locked.
T0_LOCK	J11	O	CMOS	T0 lock indicator. This pin goes high when T0 is locked.
Microprocessor Interface				
INT_REQ	C13	O	CMOS	INT_REQ: Interrupt Request This pin is used as an interrupt request. The output characteristics are determined by the HZ_EN bit (b1, INTERRUPT_CNFG) and the INT_POL bit (b0, INTERRUPT_CNFG).
I2C_SDA	K14	I/O pull-down	CMOS	I2C_SDA: Serial Data Input/Output This pin is used as the input/output for the I2C serial data.
I2C_AD1	L8	I pull-up	CMOS	I2C_AD1: Device Address Bit 1 I2C_AD2 and I2C_AD1 pins are the address bus of the microprocessor interface.
I2C_AD2	L9	I pull-up	CMOS	I2C_AD2: Device Address Bit 2 I2C_AD2 and I2C_AD1 pins are the address bus of the microprocessor interface.
I2C_SCL	K13	I pull-down	CMOS	I2C_SCL: Serial Clock Line The I2C serial clock is input on this pin.
JTAG (per IEEE 1149.1)				
TRST	A14	I pull-down	CMOS	TRST: JTAG Test Reset (Active Low) A low signal on this pin resets the JTAG test port. This pin should be connected to ground when JTAG is not used.
TMS	A12	I pull-up	CMOS	TMS: JTAG Test Mode Select The signal on this pin controls the JTAG test performance and is sampled on the rising edge of TCK.

Table 1: Pin Description (Continued)

Name	Pin No.	I/O	Type	Description ¹
TCK	B10	I pull-down	CMOS	TCK: JTAG Test Clock The clock for the JTAG test is input on this pin. TDI and TMS are sampled on the rising edge of TCK and TDO is updated on the falling edge of TCK. If TCK is idle at a low level, all stored-state devices contained in the test logic will indefinitely retain their state.
TDI	A8	I pull-up	CMOS	TDI: JTAG Test Data Input The test data is input on this pin. It is clocked into the device on the rising edge of TCK.
TDO/ T0_LOS_INT	B8	O	CMOS	TDO: JTAG Test Data Output The test data is output on this pin. It is clocked out of the device on the falling edge of TCK. TDO pin outputs a high impedance signal except during the process of data scanning. T0_LOS_INT: T0 LOS Interrupt This pin can indicate the interrupt of T0 selected input clock fail, as determined by the LOS_FLAG_ON_TDO bit (b6, MON_SW_HS_CNFG). Refer to Chapter 3.8.1 Input Clock Validity for details.
Power & Ground				
VDDD	D8, E8, F1, F8, F10, G2, G7, G9, H8, H10, K9	Power	-	Digital Core Power - +3.3V DC nominal
VDDDO	B14, C7, F12	Power	-	Digital Output Power - +3.3V DC nominal
VDDA	A2, C2, C9, C11, C12, D5, D10, D12, E11, F5, J10, P9, P11, P14	Power	-	Analog Core Power - +3.3V DC nominal
VDDAO	H1, H3, J3, J5, J7, K4, K6, L3, M1, M5, M7, P1, P5	Power	-	Analog Output Power - +3.3V DC nominal
VSSD	D7, E7, F2, F7, F9, G1, G6, G10, H7, H9, K8	Ground	-	Ground
VSSDO	B13, C8, F14	Ground	-	Ground
VSSA	B2, B11, B12, C10, D1, D4, D11, E3, E5, E10, E12, F4, J9, L11, L13, N9, N11, N14	Ground	-	Analog Ground
VSSAO	B4, B9, D2, E4, F3, F6, G3, G4, G5, H2, H4, H5, H6, J4, J6, J8, K1, K2, K3, K5, K7, K10, L4, L5, L6, L7, M2, M3, M4, M6, M8, M9, M10, M11, N1, N3, N5, N13, P3	Ground	-	Analog Output Ground

Table 1: Pin Description (Continued)

Name	Pin No.	I/O	Type	Description ¹
Others				
IC1	E9			IC: Internal Connected Internal Use. These pins should be left open for normal operation.
IC2	D9			
IC3	G8			
IC4	C1			
IC5	P13			
IC6	A13	-	-	
IC7	A9			
IC8	P12			
IC9	N12			
IC10	A1			
IC11	B1			
NC	C3, M12			NC: Not Connected Not connected: There is no internal connection to these pins
Note: 1. All the unused input pins should be connected to ground; the output of all the unused output pins are don't-care. 2. The contents in the brackets indicate the position of the register bit/bits. 3. N x 8 kHz: $1 \leq N \leq 19440$. 4. N x E1: N = 1, 2, 3, 4, 6, 8, 12, 16 5. N x T1: N = 1, 2, 3, 4, 6, 8, 12, 16, 24 6. N x 13.0 MHz: N = 1, 2 7. N x 3.84 MHz: N = 1, 2, 4, 8				

2.1 RECOMMENDATIONS FOR UNUSED INPUT AND OUTPUT PINS

2.1.1 INPUTS

Control Pins

All control pins have internal pull-ups or pull-downs; additional resistance is not required but can be added for additional protection. A 1k Ω resistor can be used.

Single-Ended Clock Inputs

For protection, unused single-ended clock inputs should be tied to ground.

Differential Clock Inputs

For applications not requiring the use of a differential input, both *_POS and *_NEG can be left floating. Though not required, but for additional protection, a 1k Ω resistor can be tied from _POS to ground.

XTAL Inputs

For applications not requiring the use of a crystal oscillator input, both _IN and _OUT can be left floating. Though not required, but for additional protection, a 1k Ω resistor can be tied from _IN to ground.

2.1.2 OUTPUTS

Status Pins

For applications not requiring the use of a status pin, we recommend bringing out to a test point for debugging purposes.

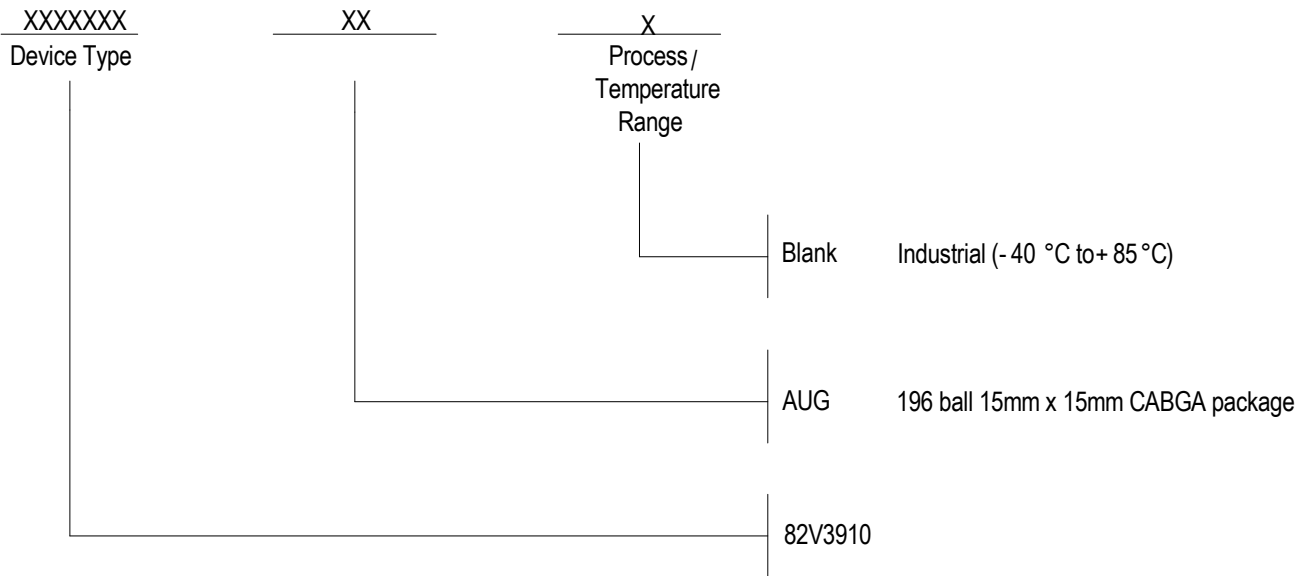
Single-Ended Clock Outputs

All unused single-ended clock outputs can be left floating, or can be brought out to a test point for debugging purposes.

Differential Clock Outputs

All unused differential outputs can be left floating. We recommend that there is no trace attached. Both sides of the differential output pair should either be left floating or terminated.

ORDERING INFORMATION



We've Got Your Timing Solution



6024 Silver Creek Valley Road
San Jose, California 95138

Sales

800-345-7015 (inside USA)
+408-284-8200 (outside USA)
Fax: 408-284-2775
www.IDT.com/go/contactIDT

Technical Support

tsd@idt.com
+480-763-2056

DISCLAIMER Integrated Device Technology, Inc. (IDT) and its subsidiaries reserve the right to modify the products and/or specifications described herein at any time and at IDT's sole discretion. All information in this document, including descriptions of product features and performance, is subject to change without notice. Performance specifications and the operating parameters of the described products are determined in the independent state and are not guaranteed to perform the same way when installed in customer products. The information contained herein is provided without representation or warranty of any kind, whether express or implied, including, but not limited to, the suitability of IDT's products for any particular purpose, an implied warranty of merchantability, or non-infringement of the intellectual property rights of others. This document is presented only as a guide and does not convey any license under intellectual property rights of IDT or any third parties.

IDT's products are not intended for use in life support systems or similar devices where the failure or malfunction of an IDT product can be reasonably expected to significantly affect the health or safety of users. Anyone using an IDT product in such a manner does so at their own risk, absent an express, written agreement by IDT.

Integrated Device Technology, IDT and the IDT logo are registered trademarks of IDT. Other trademarks and service marks used herein, including protected names, logos and designs, are the property of IDT or their respective third party owners.

Copyright 2013. All rights reserved.