

阅读申明

- 1.本站收集的数据手册和产品资料都来自互联网，版权归原作者所有。如读者和版权方有任何异议请及时告之，我们将妥善解决。
- 2.本站提供的中文数据手册是英文数据手册的中文翻译，其目的是协助用户阅读，该译文无法自动跟随原稿更新，同时也可能存在翻译上的不当。建议读者以英文原稿为参考以便获得更精准的信息。
- 3.本站提供的产品资料，来自厂商的技术支持或者使用者的心得体会等，其内容可能存在描述上的差异，建议读者做出适当判断。
- 4.如需与我们联系，请发邮件到marketing@iczoom.com，主题请标有“数据手册”字样。

Read Statement

1. The datasheets and other product information on the site are all from network reference or other public materials, and the copyright belongs to the original author and original published source. If readers and copyright owners have any objections, please contact us and we will deal with it in a timely manner.
2. The Chinese datasheets provided on the website is a Chinese translation of the English datasheets. Its purpose is for reader's learning exchange only and do not involve commercial purposes. The translation cannot be automatically updated with the original manuscript, and there may also be improper translations. Readers are advised to use the English manuscript as a reference for more accurate information.
3. All product information provided on the website refer to solutions from manufacturers' technical support or users the contents may have differences in description, and readers are advised to take the original article as the standard.
4. If you have any questions, please contact us at marketing@iczoom.com and mark the subject with "Datasheets" .

Description

The 5PB11xx is a high-performance LVCMOS clock buffer family. It has best-in-class additive phase jitter of 50fsec RMS.

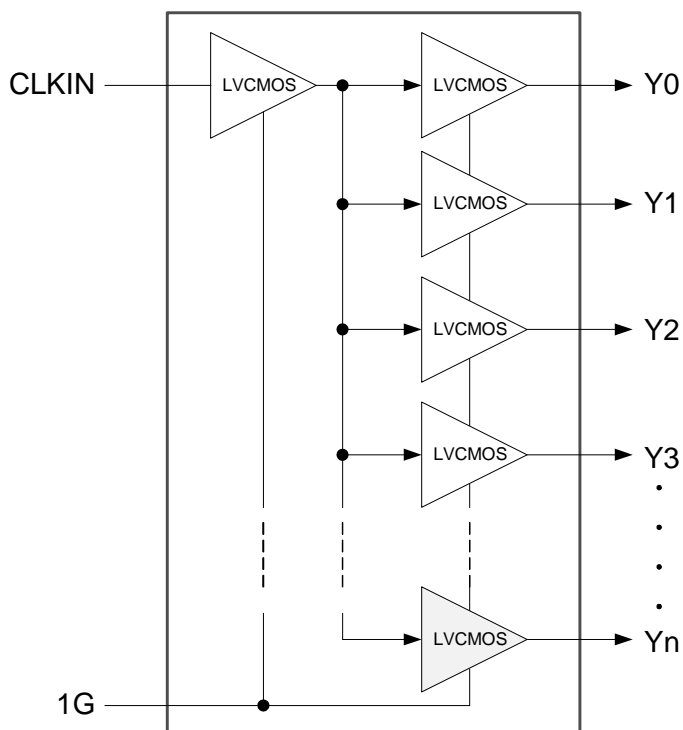
There are five different fan-out variations, 1:2 to 1:10, available.

The 5PB11xx also supports a synchronous glitch-free Output Enable function to eliminate any potential intermediate incorrect output clock cycles when enabling or disabling outputs. It comes in various packages and can operate from a 1.8V to 3.3V supply.

Features

- High performance 1:2, 1:4, 1:6, 1:8, 1:10 LVCMOS clock buffer
- Very low pin-to-pin skew < 50ps
- Very low additive jitter < 50fs
- Supply voltage: 1.8V to 3.3V
- fMAX = 200MHz
- Integrated serial termination for 50Ω channel
- Packaged in 8-, 14-, 16-, 20-pin TSSOP and as small as 2 x 2 mm DFN and QFN packages
- Industrial (-40°C to +85°C) and extended (-40°C to +105°C) temperature ranges

Block Diagram



Pin Assignments for TSSOP Packages

CLKIN	1	8	Y1
1G	2	7	NC
Y0	3	6	VDD
GND	4	5	NC

5PB1102PGG

CLKIN	1	8	Y1
1G	2	7	Y3
Y0	3	6	VDD
GND	4	5	Y2

5PB1104PGG

CLKIN	1	14	Y1
1G	2	13	Y3
Y0	3	12	VDD
GND	4	11	Y2
VDD	5	10	GND
Y4	6	9	Y5
GND	7	8	VDD

5PB1106PGG

CLKIN	1	16	Y1
1G	2	15	Y3
Y0	3	14	VDD
GND	4	13	Y2
VDD	5	12	GND
Y4	6	11	Y5
GND	7	10	VDD
Y6	8	9	Y7

5PB1108PGG

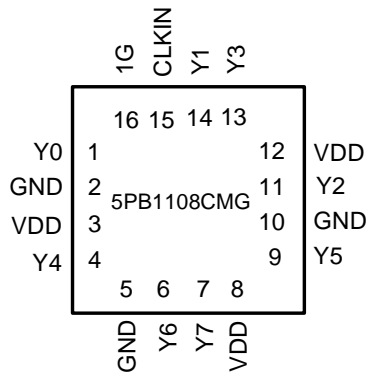
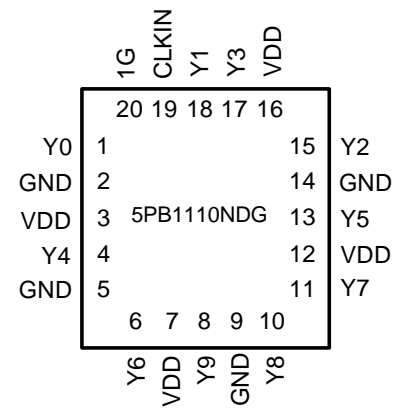
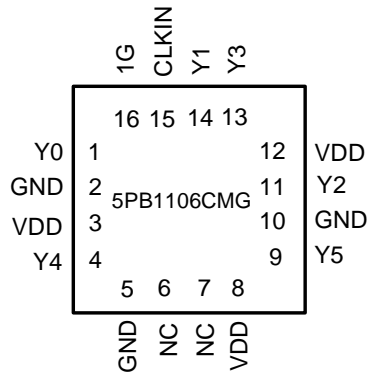
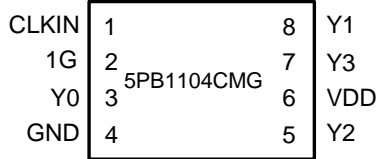
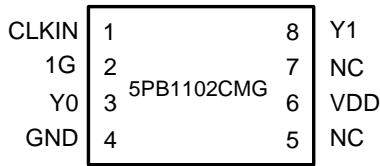
CLKIN	1	20	Y1
1G	2	19	Y3
Y0	3	18	VDD
GND	4	17	Y2
VDD	5	16	GND
Y4	6	15	Y5
GND	7	14	VDD
Y6	8	13	Y7
VDD	9	12	Y8
Y9	10	11	GND

5PB1110PGG

Pin Descriptions for TSSOP Packages

Device Number	LVC MOS Clock Input	Clock Output Enable	LVC MOS Clock Output	Supply Voltage	Ground
	CLKIN	1G	Y0, Y1, . . . Y9	VDD	GND
5PB1102PGG	1	2	3, 8	6	4
5PB1104PGG	1	2	3, 8, 5, 7	6	4
5PB1106PGG	1	2	3, 14, 11, 13, 6, 9	5, 8, 12	4, 7, 10
5PB1108PGG	1	2	3, 16, 13, 15, 6, 11, 8, 9	5, 10, 14	4, 7, 12
5PB1110PGG	1	2	3, 20, 17, 19, 6, 15, 8, 13, 12, 10	5, 9, 14, 18	4, 7, 11, 16

Pin Assignments for DFN/QFN Packages



Pin Descriptions for DFN/QFN Packages

Device Number	LVC MOS Clock Input	Clock Output Enable	LVC MOS Clock Output	Supply Voltage	Ground
	CLKIN	1G	Y0, Y1, . . . Y9	VDD	GND
5PB1102CMG	1	2	3, 8	6	4
5PB1104CMG	1	2	3, 5, 7, 8	6	4
5PB1106CMG	15	16	1, 4, 9, 11, 13, 14	3, 8, 12	2, 5, 10
5PB1108CMG	15	16	1, 4, 6, 7, 9, 11, 13, 14	3, 8, 12	2, 5, 10
5PB1110NDG	19	20	1, 4, 6, 8, 10, 11, 13, 15, 17, 18	3, 7, 12, 16	2, 5, 9, 14

Output Logic Table

Inputs		Output
CLKIN	1G	Yn
X	L	L
L	H	L
H	H	H

After at least three cycles of input clock toggling, Output Enable function is asynchronous to eliminate any intermediate incorrect output clock cycles during transition which may cause frequency peaking to the downstream device.

Absolute Maximum Ratings

Stresses above the ratings listed below can cause permanent damage to the 5PB11xx. These ratings, which are standard values for IDT commercially rated parts, are stress ratings only. Functional operation of the device at these or any other conditions above those indicated in the operational sections of the specifications is not implied. Exposure to absolute maximum rating conditions for extended periods can affect product reliability. Electrical parameters are guaranteed only over the recommended operating temperature range.

Item	Rating
Supply Voltage, V_{DD}	3.465V
Output Enable and All Outputs	-0.4 V to $V_{DD}+0.5$ V
CLKIN	-0.4 V to 3.465V
Ambient Operating Temperature (industrial)	-40 to +85°C
Ambient Operating Temperature (extended)	-40 to +105°C
Storage Temperature	-65 to +150°C
Junction Temperature	125°C
Soldering Temperature	260°C

Recommended Operation Conditions

Parameter	Min.	Typ.	Max.	Units
Ambient Operating Temperature (industrial)	-40		+85	°C
Ambient Operating Temperature (extended)	-40		+105	°C
Power Supply Voltage (measured in respect to GND)	+1.71		+3.465	V

DC Electrical Characteristics

($V_{DD} = 1.8V, 2.5V, 3.3V$)

$V_{DD} = 1.8V \pm 5\%$, Ambient temperature -40° to +105°C, unless stated otherwise.

Parameter	Symbol	Conditions	Min.	Typ.	Max.	Units
Operating Voltage	V_{DD}		1.71		1.89	V
Input High Voltage, CLKIN	V_{IH}	Note 1.	$0.7 \times V_{DD}$		V_{DD}	V
Input Low Voltage, CLKIN	V_{IL}	Note 1.			$0.3 \times V_{DD}$	V
Input High Voltage, 1G	V_{IH}		1.6		V_{DD}	V
Input Low Voltage, 1G	V_{IL}				0.6	V
Output High Voltage	V_{OH}	$I_{OH} = -5mA$.	1.4			V
Output Low Voltage	V_{OL}	$I_{OL} = 5mA$.			0.4	V
Nominal Output Impedance	Z_O			50		Ω
Input Capacitance	C_{IN}	CLKIN, 1G pin.		5		pF
Operating Supply Current						
5PB1102	I_{DD}	100MHz, no load, 25°C.		6	8	mA
5PB1104		100MHz, no load, 25°C.		12	13	
5PB1106		100MHz, no load, 25°C.		15	18	
5PB1108		100MHz, no load, 25°C.		20	23	
5PB1110		100MHz, no load, 25°C.		23	27	

Notes: 1. Nominal switching threshold is $V_{DD}/2$

$V_{DD} = 2.5V \pm 5\%$, Ambient temperature -40° to $+105^{\circ}C$, unless stated otherwise.

Parameter	Symbol	Conditions	Min.	Typ.	Max.	Units
Operating Voltage	V_{DD}		2.375		2.625	V
Input High Voltage, CLKIN	V_{IH}	Note 1.	$0.7 \times V_{DD}$		V_{DD}	V
Input Low Voltage, CLKIN	V_{IL}	Note 1.			$0.3 \times V_{DD}$	V
Input High Voltage, 1G	V_{IH}		1.8		V_{DD}	V
Input Low Voltage, 1G	V_{IL}				0.7	V
Output High Voltage	V_{OH}	$I_{OH} = -8mA$.	1.9			V
Output Low Voltage	V_{OL}	$I_{OL} = 8mA$.			0.5	V
Nominal Output Impedance	Z_O			50		Ω
Input Capacitance	C_{IN}	CLKIN, 1G pin.		5		pF
Operating Supply Current						
5PB1102	I_{DD}	100MHz, no load, 25°C.		9	11	mA
5PB1104		100MHz, no load, 25°C.		15	18	
5PB1106		100MHz, no load, 25°C.		21	24	
5PB1108		100MHz, no load, 25°C.		27	31	
5PB1110		100MHz, no load, 25°C.		32	37	

$V_{DD} = 3.3V \pm 5\%$, Ambient temperature -40° to $+105^{\circ}C$, unless stated otherwise.

Parameter	Symbol	Conditions	Min.	Typ.	Max.	Units
Operating Voltage	V_{DD}		3.135		3.465	V
Input High Voltage, CLKIN	V_{IH}	Note 1.	$0.7 \times V_{DD}$		V_{DD}	V
Input Low Voltage, CLKIN	V_{IL}	Note 1.			$0.3 \times V_{DD}$	V
Input High Voltage, 1G	V_{IH}		2		V_{DD}	V
Input Low Voltage, 1G	V_{IL}				0.8	V
Output High Voltage	V_{OH}	$I_{OH} = -12mA$.	2.4			V
Output Low Voltage	V_{OL}	$I_{OL} = 12mA$.			0.7	V
Nominal Output Impedance	Z_O			50		Ω
Input Capacitance	C_{IN}	CLKIN, 1G pin.		5		pF
Operating Supply Current						
5PB1102	I_{DD}	100MHz, no load, 25°C.		12	13	mA
5PB1104		100MHz, no load, 25°C.		20	22	
5PB1106		100MHz, no load, 25°C.		25	30	
5PB1108		100MHz, no load, 25°C.		35	38	
5PB1110		100MHz, no load, 25°C.		40	45	

AC Electrical Characteristics

($V_{DD} = 1.8V, 2.5V, 3.3V$)

$V_{DD} = 1.8V \pm 5\%$, Ambient Temperature -40° to $+105^{\circ}C$, unless stated otherwise.

Parameter	Symbol	Conditions	Min.	Typ.	Max.	Units
Input Frequency			0		200	MHz
Output Rise Time (2pF load)	t_{OR}	0.36V to 1.44V, $C_L = 2pF$.		0.5	0.75	ns
Output Fall Time (2pF load)	t_{OF}	1.44V to 0.36V, $C_L = 2pF$.		0.5	0.75	ns
Output Rise Time (5pF load)	t_{OR}	0.36V to 1.44V, $C_L = 5pF$.		0.8	1.0	ns
Output Fall Time (5pF load)	t_{OF}	1.44V to 0.36V, $C_L = 5pF$.		0.8	1.0	ns
Start-up Time	$t_{START-UP}$	Part start-up time for valid outputs after V_{DD} ramp-up.			3	ms
Propagation Delay		Note 1.	1.5	1.9	2.5	ns
Buffer Additive Phase Jitter, RMS		156.25MHz, Integration Range: 12kHz-20MHz.			0.05	ps
Output to Output Skew (5PB1102/04)		Rising edges at $V_{DD}/2$, Note 2.		35	50	ps
Output to Output Skew (5PB1106)		Rising edges at $V_{DD}/2$, Note 2.		35	58	ps
Output to Output Skew (5PB1108/10)		Rising edges at $V_{DD}/2$, Note 2.		45	65	ps
Device to Device Skew		Rising edges at $V_{DD}/2$.			200	ps
Output Enable Time	t_{EN}	$C_L \leq 5pF$.			3	cycles
Output Disable Time	t_{DIS}	$C_L \leq 5pF$.			3	cycles

$V_{DD} = 2.5V \pm 5\%$, Ambient Temperature -40° to $+105^{\circ}C$, unless stated otherwise.

Parameter	Symbol	Conditions	Min.	Typ.	Max.	Units
Input Frequency			0		200	MHz
Output Rise Time (2pF load)	t_{OR}	0.5V to 2.0V, $C_L = 2pF$.		0.4	0.7	ns
Output Fall Time (2pF load)	t_{OF}	2.0V to 0.5V, $C_L = 2pF$.		0.4	0.7	ns
Output Rise Time (5pF load)	t_{OR}	0.5V to 2.0V, $C_L = 5pF$.		0.75	1.0	ns
Output Fall Time (5pF load)	t_{OF}	2.0V to 0.5V, $C_L = 5pF$.		0.75	1.0	ns
Start-up Time	$t_{START-UP}$	Part start-up time for valid outputs after V_{DD} ramp-up.			3	ms
Propagation Delay (5PB1102/04)		Note 1.	1.9	2.4	2.9	ns
Propagation Delay (5PB1106/08)			2.0	2.4	3.3	ns
Propagation Delay (5PB1110)			2.0	2.4	3.0	ns
Buffer Additive Phase Jitter, RMS		156.25MHz, Integration Range: 12kHz-20MHz.			0.05	ps
Output to Output Skew (5PB1102/04)		Rising edges at $V_{DD}/2$, Note 2.		35	50	ps
Output to Output Skew (5PB1106)		Rising edges at $V_{DD}/2$, Note 2.		35	58	ps
Output to Output Skew (5PB1108/10)		Rising edges at $V_{DD}/2$, Note 2.		45	65	ps
Device to Device Skew		Rising edges at $V_{DD}/2$.			200	ps
Output Enable Time	t_{EN}	$C_L \leq 5pF$.			3	cycles
Output Disable Time	t_{DIS}	$C_L \leq 5pF$.			3	cycles

$V_{DD} = 3.3V \pm 5\%$, Ambient Temperature -40° to $+105^{\circ}C$, unless stated otherwise.

Parameter	Symbol	Conditions	Min.	Typ.	Max.	Units
Input Frequency			0		200	MHz
Output Rise Time (2pF load)	t_{OR}	0.66V to 2.64V, $C_L = 2pF$.		0.45	0.6	ns
Output Fall Time (2pF load)	t_{OF}	2.64V to 0.66V, $C_L = 2pF$.		0.45	0.6	ns
Output Rise Time (5pF load)	t_{OR}	0.66V to 2.64V, $C_L = 5pF$.		0.7	1.0	ns
Output Fall Time (5pF load)	t_{OF}	2.64V to 0.66V, $C_L = 5pF$.		0.7	1.0	ns

Parameter	Symbol	Conditions	Min.	Typ.	Max.	Units
Start-up Time	$t_{START-UP}$	Part start-up time for valid outputs after V_{DD} ramp-up.			3	ms
Propagation Delay (5PB1102/04)		Note 1.	1.7	2	2.4	ns
Propagation Delay (5PB1106/08)			1.7	2	2.7	ns
Propagation Delay (5PB1110)			1.7	2	2.5	ns
Buffer Additive Phase Jitter, RMS		156.25MHz, Integration Range: 12kHz-20MHz.			0.05	ps
Output to Output Skew (5PB1102/04)		Rising edges at $V_{DD}/2$, Note 2.		35	50	ps
Output to Output Skew (5PB1106)		Rising edges at $V_{DD}/2$, Note 2.		35	58	ps
Output to Output Skew (5PB1108/10)		Rising edges at $V_{DD}/2$, Note 2.		45	65	ps
Device to Device Skew		Rising edges at $V_{DD}/2$.			200	ps
Output Enable Time	t_{EN}	$C_L \leq 5pF$.			3	cycles
Output Disable Time	t_{DIS}	$C_L \leq 5pF$.			3	cycles

Notes:

1. With rail to rail input clock
2. Between any 2 outputs with equal loading.
3. Duty cycle on outputs will match incoming clock duty cycle. Consult IDT for tight duty cycle clock generators.

Phase Noise Plots

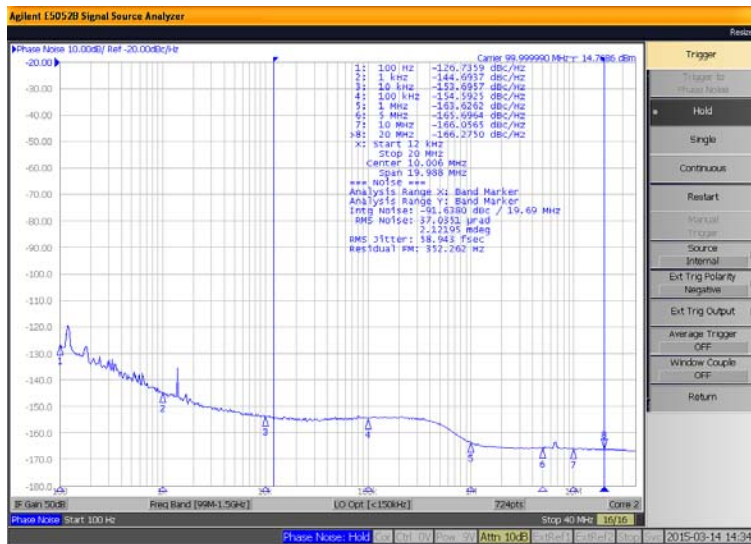


Figure 1. 5PB11xx Reference Phase Noise 58.9fs (12kHz to 20MHz)

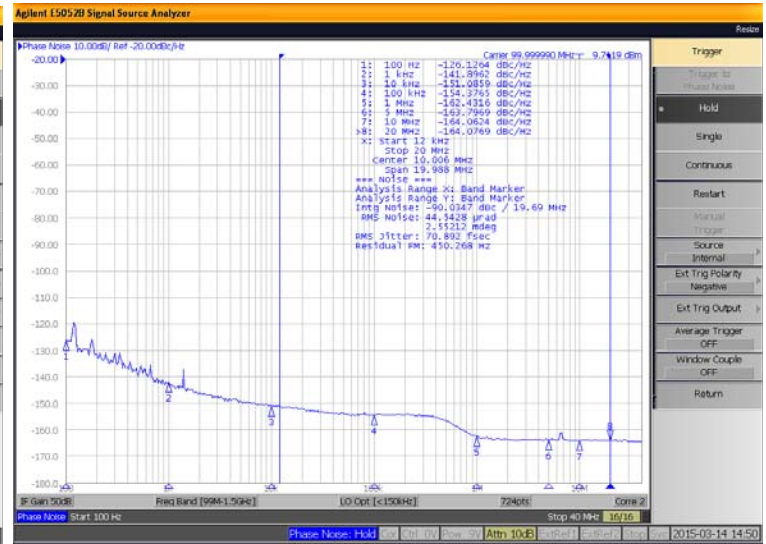
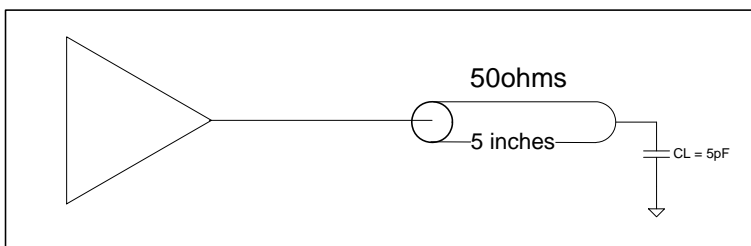


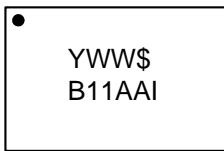
Figure 2. 5PB11xx Output Phase Noise 70.9fs (12kHz to 20MHz)

The phase noise plots above show the low additive jitter of the 5PB11xx high-performance buffer. With an integration range of 12kHz to 20MHz, the reference input has about 58.9fs of RMS phase jitter while the output of 5PB11xx has about 70.9fs of RMS phase jitter. This results in a low additive phase jitter of only 39fs.

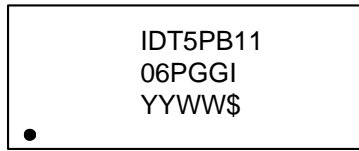
Test Load and Circuit



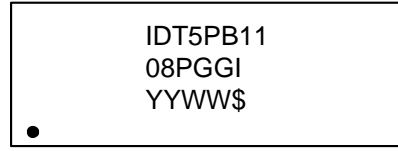
Marking Diagrams (industrial temperature range)



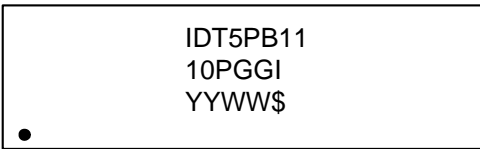
8-pin TSSOP



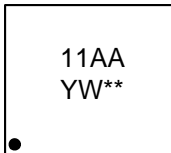
14-pin TSSOP



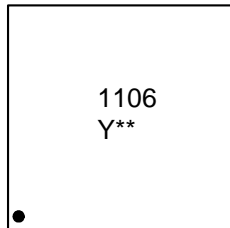
16-pin TSSOP



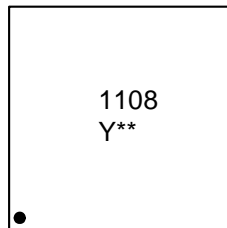
20-pin TSSOP



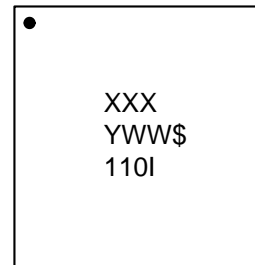
8-pin DFN



16-pin QFN



16-pin QFN

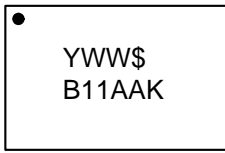


20-pin QFN

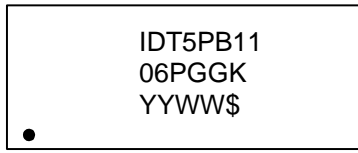
Notes:

1. "AA" denotes the last two digits of the part number for 8-TSSOP and DFN (e.g. 02, 04).
2. "**" is the lot sequence.
3. "XXX" denotes the last three characters of the Asm lot (20-QFN only).
4. "YYWW", "YWW", "YW", or "Y" is the last digit(s) of the year and week that the part was assembled.
5. "\$" denotes the mark code.
6. "G" after the two-letter package code denotes RoHS compliant package.
7. "I" denotes industrial temperature range device.
8. Bottom marking: LOT and COO (TSSOP only).

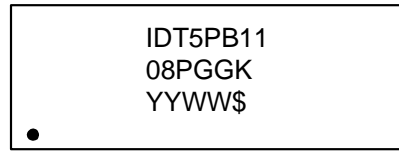
Marking Diagrams (extended temperature range)



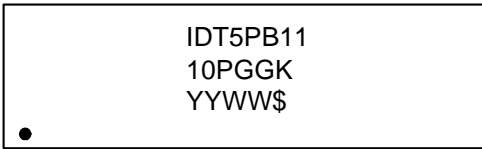
8-pin TSSOP



14-pin TSSOP



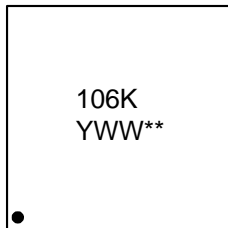
16-pin TSSOP



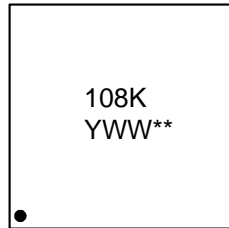
20-pin TSSOP



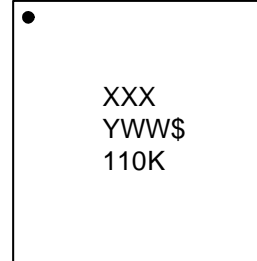
8-pin DFN



16-pin QFN



16-pin QFN



20-pin QFN

Notes:

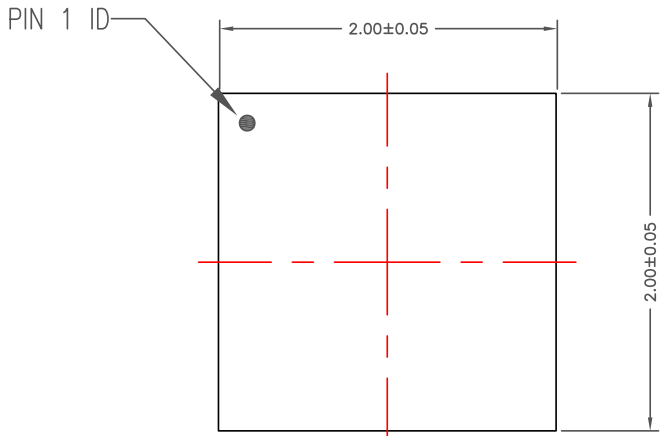
1. "AA" denotes the last two digits of the part number for 8-TSSOP and DFN (e.g. 02, 04).
2. "**" is the lot sequence.
3. "XXX" denotes the last three characters of the Asm lot (20-QFN only).
4. "YYWW", "YWW", "YW", or "Y" is the last digit(s) of the year and week that the part was assembled.
5. "\$" denotes the mark code.
6. "G" after the two-letter package code denotes RoHS compliant package.
7. "K" denotes extended temperature range device.
8. Bottom marking: LOT and COO (TSSOP only).

Thermal Characteristics

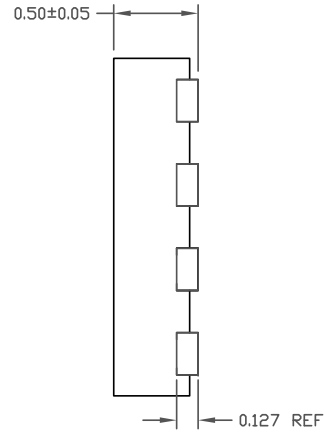
Package	Applies to	Θ_{JA}	Θ_{JC}	Θ_{JB}	Units
8-TSSOP	5PB1102, 5PB1104	122.0	58.2	139.3	$^{\circ}\text{C/W}$; still air
14-TSSOP	5PB1106	84.5	44.2	64.5	$^{\circ}\text{C/W}$; still air
16-TSSOP	5PB1108	80.9	43.3	60.1	$^{\circ}\text{C/W}$; still air
20-TSSOP	5PB1110	72.5	37.9	49.8	$^{\circ}\text{C/W}$; still air
8-DFN	5PB1102, 5PB1104	120.2	99.4	63.3	$^{\circ}\text{C/W}$; still air
16-QFN	5PB1106, 5PB1108	115.6	83.1	61.8	$^{\circ}\text{C/W}$; still air
20-QFN	5PB1110	49.6	94.7	5.1	$^{\circ}\text{C/W}$; still air

Package Outline and Dimensions (8-PFN, 2 x 2 mm Body, 0.5mm pitch)

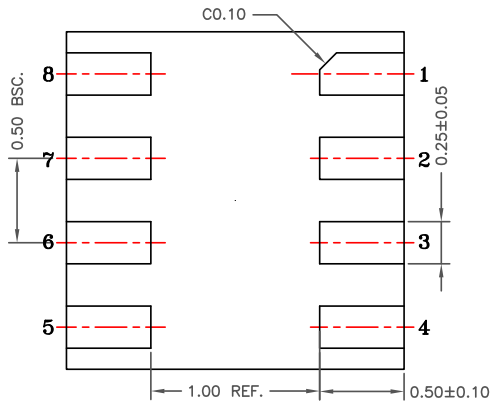
REVISIONS			
REV	DESCRIPTION	DATE	APPROVED
00	INITIAL RELEASE	09/18/14	J.HUA



TOP VIEW



SIDE VIEW



BOTTOM VIEW

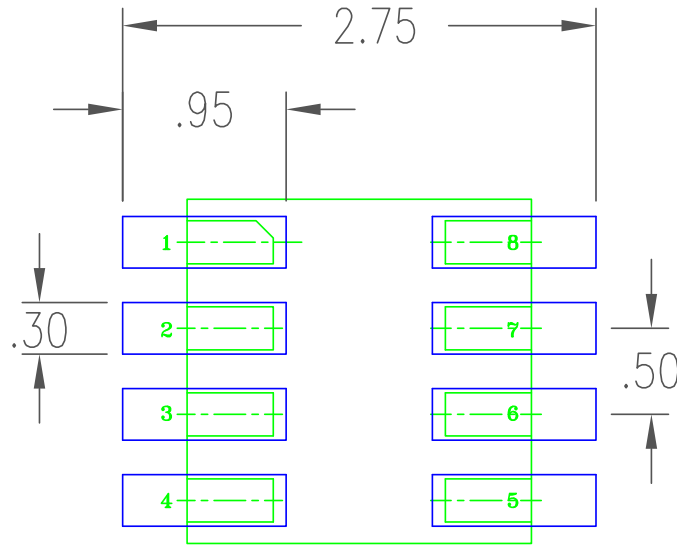
NOTES:

1. ALL DIMENSIONING AND TOLERANCING CONFORM TO ANSI Y14.5M-1982
2. ALL DIMENSIONS ARE IN MILLIMETERS

TOLERANCES UNLESS SPECIFIED		6024 SILVER CREEK VALLEY ROAD San Jose, CA 95138 PHONE: (408) 284-8200 FAX: (408) 492-8674 www.IDT.com
DECIMAL	ANGULAR	
XX±	±	
XXX±		
XXXX±		
APPROVALS	DATE	TITLE
DRAWN <i>RAC</i>	09/10/14	CMG8 PACKAGE OUTLINE
CHECKED <i>J.Hua</i>	09/10/14	2.0 X 2.0 mm BODY
		0.5mm PITCH VFQFN
	SIZE	DRAWING No.
	C	PSC-4490
		REV
		00
DO NOT SCALE DRAWING		SHEET 1 OF 2



REVISIONS			
REV	DESCRIPTION	DATE	APPROVED
00	INITIAL RELEASE	09/18/14	J.HUA



RECOMMENDED LAND PATTERN DIMENSION

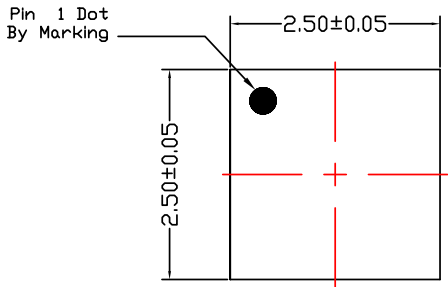
NOTES:

1. ALL DIMENSION ARE IN mm. ANGLES IN DEGREES.
2. TOP DOWN VIEW. AS VIEWED.
3. COMPONENT OUTLINE SHOW FOR REFERENCE IN GREEN.
4. LAND PATTERN IN BLUE. NSMD PATTERN ASSUMED.
5. LAND PATTERN RECOMMENDATION PER IPC-7351B GENERIC REQUIREMENT FOR MOUNT DESIGN AND LAND PATTERN.

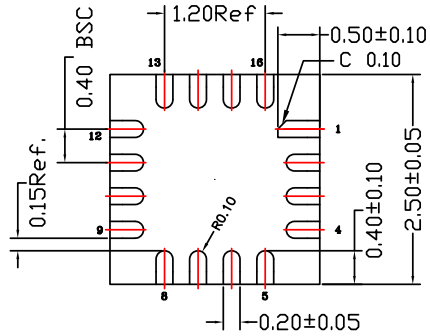
TOLERANCES UNLESS SPECIFIED		6024 SILVER CREEK VALLEY ROAD San Jose, CA 95138 PHONE: (408) 284-8200 FAX: (408) 492-8674	
DECIMAL	ANGULAR	www.IDT.com	
XX±	±		
XXX±			
XXXX±			
APPROVALS	DATE	TITLE	
DRAWN <i>EA</i>	09/10/14	CMG8 PACKAGE OUTLINE	
CHECKED		2.0 X 2.0 mm BODY	
		0.5 mm PITCH VFQFN	
		SIZE	REV
		C	00
		DRAWING No.	
		PSC-4490	
		DO NOT SCALE DRAWING	SHEET 2 OF 2



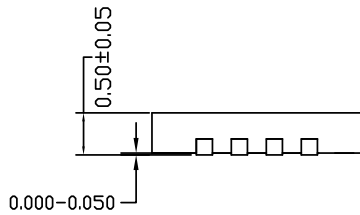
REVISIONS			
REV	DESCRIPTION	DATE	APPROVED
00	INITIAL RELEASE	04/03/14	JH
01	ADD PIN1 CHAMFER	12/11/14	JH



TOP VIEW



BOTTOM VIEW



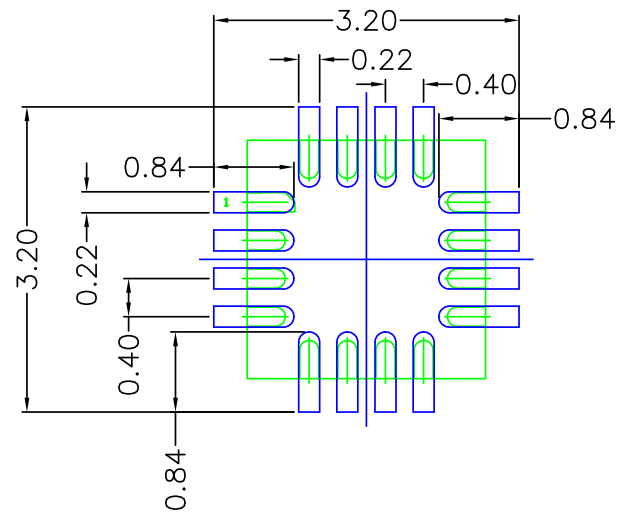
SIDE VIEW

NOTES:

1. ALL DIMENSIONING AND TOLERANCING CONFORM TO ANSI Y14.5M-1982
2. ALL DIMENSIONS ARE IN MILLIMETERS.

TOLERANCES UNLESS SPECIFIED		6024 Silver Creek Valley Road San Jose CA 95138 PHONE: (408) 284-8200 FAX: (408) 284-8591 www.IDT.com
DECIMAL	ANGULAR	
X±	±1°	
XX±		
XXX±		
APPROVALS	DATE	TITLE
DRAWN <i>gzc</i>	04/03/14	CMG 16 PACKAGE OUTLINE 2.5 x 2.5 mm BODY 0.40 mm PITCH VFQFN
CHECKED		
	SIZE	DRAWING No.
	C	PSC-4478
		REV
		01
DO NOT SCALE DRAWING		SHEET 1 OF 2

REVISIONS			
REV	DESCRIPTION	DATE	APPROVED
00	INITIAL RELEASE	04/03/14	JH
01	ADD PIN1 CHAMFER	12/11/14	JH



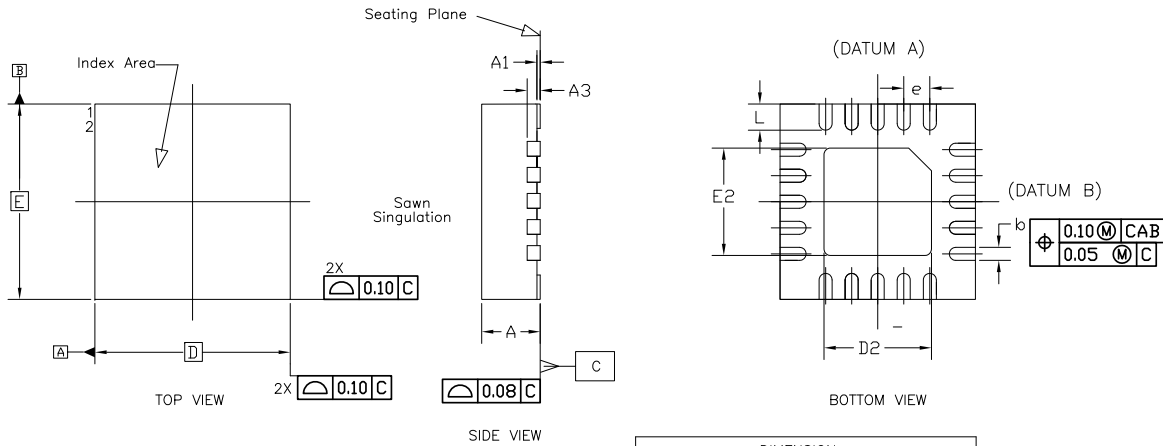
RECOMMENDED LAND PATTERN DIMENSION

NOTES:

1. ALL DIMENSIONS ARE IN MM. ANGLES IN DEGREES.
2. TOP DOWN VIEW AS VIEWED ON PCB.
3. COMPONENT OUTLINE IS SHOWN FOR REFERENCE IN GREEN.
4. LAND PATTERN IN BLUE. NSMD PATTERN ASSUMED.
5. LAND PATTERN RECOMMENDATION PER IPC-7351B GENERIC REQUIREMENT FOR SURFACE MOUNT DESIGN AND LAND PATTERN.

TOLERANCES UNLESS SPECIFIED DECIMAL ANGULAR X± ±1° XX± XXX±		6024 Silver Creek Valley Road San Jose CA 95138 PHONE: (408) 284-8200 www.IDT.com FAX: (408) 284-8591		
APPROVALS	DATE			
DRAWN <i>gsc</i>	04/03/14	TITLE CMG 16 PACKAGE OUTLINE 2.5 x 2.5 mm BODY 0.40 mm PITCH VFQFN		
CHECKED				
		SIZE C	DRAWING No. PSC-4478	REV 01
DO NOT SCALE DRAWING			SHEET 2 OF 2	

REVISIONS			
REV	DESCRIPTION	DATE	APPROVED
00	INITIAL RELEASE	3/30/16	JH



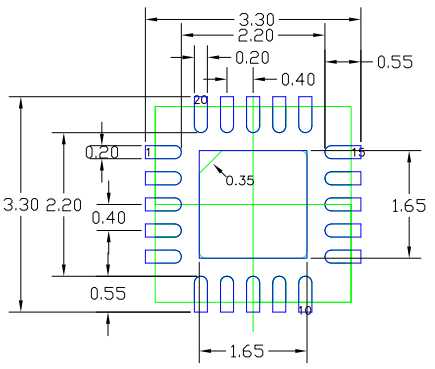
DIMENSION			
Symbol	Min	Nom	Max
A	0.80	0.90	1.00
A1	0	0.02	0.05
A3	0.20 Ref		
b	0.17	0.20	0.25
e	0.40 BASIC		
N	20		
ND	5		
NE	5		
D	3.00 BASIC		
E	3.00 BASIC		
D2	1.55	1.65	1.75
E2	1.55	1.65	1.75
L	0.30	0.40	0.50

NOTE :

1. ALL DIMENSIONS ARE IN mm. ANGLES IN DEGREES.
2. COPLANARITY APPLIES TO THE EXPOSED PAD AS WELL AS THE TERMINALS. COPLANARITY SHALL NOT EXCEED 0.05 mm.
3. WARPAGE SHALL NOT EXCEED 0.05 mm.
4. PACKAGE LENGTH / PACKAGE WIDTH ARE CONSIDERED AS SPECIAL CHARACTERISTIC. (S)
5. REFER JEDEC MO-220.

TOLERANCES UNLESS SPECIFIED		 www.IDT.com	6024 Silver Creek Valley Road San Jose CA 95138 PHONE: (408) 284-8200 FAX: (408) 284-8591	
DECIMAL	ANGULAR		TITLE ND/NDG 20 PACKAGE OUTLINE	
X±	±1°		3.0 x 3.0 mm BODY, EPAD 1.65 mm SQ	
XX±			0.40 PITCH QFN	
XXX±		APPROVALS	DATE	
		DRAWN <i>ABC</i>	3/30/16	
		CHECKED		
		SIZE	DRAWING No.	REV
		C	PSC-4179-02	00
DO NOT SCALE DRAWING				SHEET 1 OF 2

REVISIONS			
REV	DESCRIPTION	DATE	APPROVED
00	INITIAL RELEASE	3/30/16	JH



RECOMMENDED LAND PATTERN DIMENSION

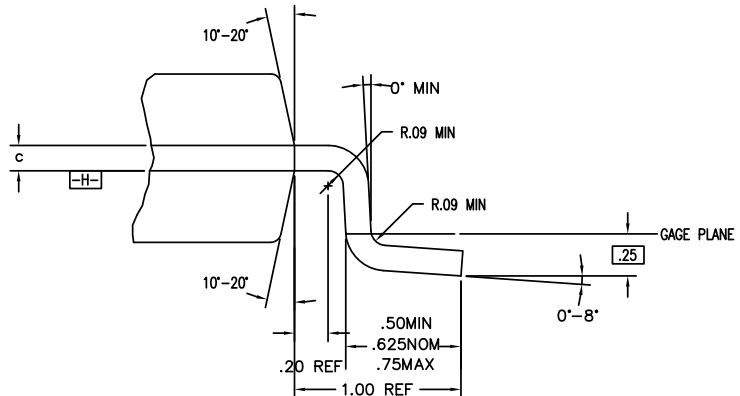
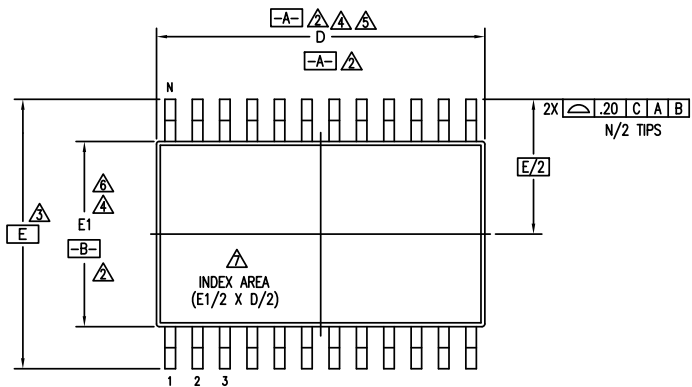
- NOTES:
1. ALL DIMENSIONS ARE IN mm. ANGLES IN DEGREES.
 2. TOP DOWN VIEW, AS VIEWED ON PCB.
 3. COMPONENT OUTLINE SHOWS FOR REFERENCE IN GREEN.
 4. LAND PATTERN IN BLUE. NSMD PATTERN ASSUMED.
 5. LAND PATTERN RECOMMENDATION PER IPC-7351B GENERIC REQUIREMENT FOR SURFACE MOUNT DESIGN AND LAND PATTERN.

TOLERANCES UNLESS SPECIFIED		 www.IDT.com	6024 Silver Creek Valley Road San Jose CA 95138 PHONE: (408) 284-8200 FAX: (408) 284-8591	
DECIMAL	ANGULAR			
XX±	±1°			
XXX±				
APPROVALS	DATE	TITLE ND/NDG 20 PACKAGE OUTLINE		
DRAWN <i>RAC</i>	3/30/16	3.0 x 3.0 mm BODY, EPAD 1.65 mm SQ		
CHECKED		0.40 PITCH QFN		
		SIZE	DRAWING No.	REV
		C	PSC-4179-02	00
DO NOT SCALE DRAWING				SHEET 2 OF 2

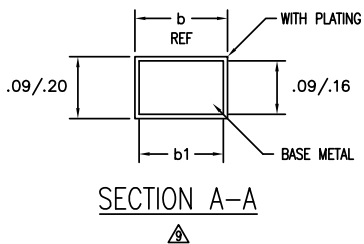
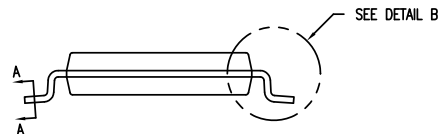
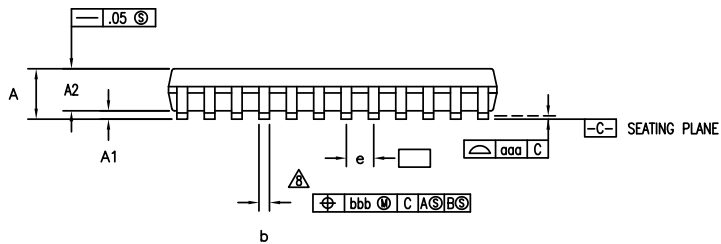
Package Outline and Dimensions (8-, 14-, 16-, 20-TSSOP)

DATE CREATED	REVISIONS		
	REV	DESCRIPTION	AUTHOR
08/25/98	02	ADD 14 & 16 LD	T. VU
07/10/99	03	ADD 8 LD	T. VU
5/23/01	04	ADDED TOPMARK TO TITLE	
10/14/04	05	ADD "GREEN" PGG NOMENCLATURE	TU VU
3/8/13	06	ADDED PACKAGE CODE	RAC
9/3/14	07	ADD TOLERANCE FOR A, A1, E AND b	CK LEE
3/10/17	08	ADD OPTION T1	R.TANH

NOTE: REFER TO DCP FOR OFFICIAL RELEASE DATE



DETAIL B



TOLERANCES UNLESS SPECIFIED DECIMAL ± XX± XXX± XXXX±		2975 Stender Way Santa Clara, CA 95054 PHONE: (408) 727-6116 FAX: (408) 492-8674
		www.IDT.com
TITLE PGG/PGG PACKAGE OUTLINE (PG OR PA TOPMARK CODE) 4.4 mm BODY WIDTH TSSOP .65 mm PITCH		
SIZE C	DRAWING No. PSC-4056	REV 08
DO NOT SCALE DRAWING		SHEET 1 OF 3



DATE CREATED	REVISIONS		
	REV	DESCRIPTION	AUTHOR
08/25/98	02	ADD 14 & 16 LD	T. VU
07/10/99	03	ADD 8 LD	T. VU
5/23/01	04	ADDED TOPMARK TO TITLE	
10/14/04	05	ADD "GREEN" PGG NOMENCLATURE	TU VU
3/8/13	06	ADDED PACKAGE CODE	RAC
9/3/14	07	ADD TOLERANCE FOR A, A1, E AND b	CK LEE
3/10/17	08	ADD OPTION T1	R.TANH

NOTE: REFER TO DCP FOR OFFICIAL RELEASE DATE

SYMBOL	PG/PGG8				NOTE	PG/PGG14				NOTE	PG/PGG16				NOTE	PG/PGG20				NOTE	PG/PGG24				NOTE	PG/PGG28				NOTE
	JEDEC VARIATION			AA		JEDEC VARIATION			AB-1		JEDEC VARIATION			AB		JEDEC VARIATION			AC		JEDEC VARIATION			AD		JEDEC VARIATION			AE	
	MIN	NOM	MAX			MIN	NOM	MAX			MIN	NOM	MAX			MIN	NOM	MAX			MIN	NOM	MAX			MIN	NOM	MAX		
A	.85	1.10	1.20		.85	1.10	1.20		.85	1.10	1.20		.85	1.10	1.20		.85	1.10	1.20		.85	1.10	1.20		.85	1.10	1.20			
A1	.05	.10	.15		.05	.10	.15		.05	.10	.15		.05	.10	.15		.05	.10	.15		.05	.10	.15		.05	.10	.15			
A2	.80	1.00	1.05		.80	1.00	1.05		.80	1.00	1.05		.80	1.00	1.05		.80	1.00	1.05		.80	1.00	1.05		.80	1.00	1.05			
D	2.90	3.00	3.10	4,5	4.90	5.00	5.10	4,5	4.90	5.00	5.10	4,5	6.40	6.50	6.60	4,5	7.70	7.80	7.90	4,5	9.60	9.70	9.80	4,5	9.60	9.70	9.80	4,5		
E	6.20	6.40	6.60	3	6.20	6.40	6.60	3	6.20	6.40	6.60	3	6.20	6.40	6.60	3	6.20	6.40	6.60	3	6.20	6.40	6.60	3	6.20	6.40	6.60	3		
E1	4.30	4.40	4.50	4,6	4.30	4.40	4.50	4,6	4.30	4.40	4.50	4,6	4.30	4.40	4.50	4,6	4.30	4.40	4.50	4,6	4.30	4.40	4.50	4,6	4.30	4.40	4.50	4,6		
e	.65 BSC				.65 BSC				.65 BSC				.65 BSC				.65 BSC				.65 BSC				.65 BSC					
b	.19	.25	.30		.19	.25	.30		.19	.25	.30		.19	.25	.30		.19	.25	.30		.19	.25	.30		.19	.25	.30			
b1	.19	.22	.25		.19	.22	.25		.19	.22	.25		.19	.22	.25		.19	.22	.25		.19	.22	.25		.19	.22	.25			
aaa	-	-	.10		-	-	.10		-	-	.10		-	-	.10		-	-	.10		-	-	.10		-	-	.10			
bbb	-	-	.10		-	-	.10		-	-	.10		-	-	.10		-	-	.10		-	-	.10		-	-	.10			
N	8					14					16					20					24					28				

NOTES:

- ALL DIMENSIONING AND TOLERANCING CONFORM TO ASME Y14.5M-1994
- DATUMS **-A-** AND **-B-** TO BE DETERMINED AT DATUM PLANE **-H-**
- DIMENSION E TO BE DETERMINED AT SEATING PLANE **-C-**
- DIMENSIONS D AND E1 ARE TO BE DETERMINED AT DATUM PLANE **-H-**
- DIMENSION D DOES NOT INCLUDE MOLD FLASH, PROTRUSIONS OR GATE BURRS. MOLD FLASH, PROTRUSIONS OR GATE BURRS SHALL NOT EXCEED .15 mm PER SIDE
- DIMENSION E1 DOES NOT INCLUDE INTERLEAD FLASH OR PROTRUSIONS. INTERLEAD FLASH OR PROTRUSIONS SHALL NOT EXCEED .25 mm PER SIDE
- DETAIL OF PIN 1 IDENTIFIER IS OPTIONAL BUT MUST BE LOCATED WITHIN THE ZONE INDICATED
- LEAD WIDTH DIMENSION DOES NOT INCLUDE DAMBAR PROTRUSION. ALLOWABLE DAMBAR PROTRUSION IS .08 mm IN EXCESS OF THE LEAD WIDTH DIMENSION AT MAXIMUM MATERIAL CONDITION. DAMBAR CANNOT BE LOCATED ON THE LOWER RADIUS OR THE FOOT
- THESE DIMENSIONS APPLY TO THE FLAT SECTION OF THE LEAD BETWEEN .10 AND .25 mm FROM THE LEAD TIP
- ALL DIMENSIONS ARE IN MILLIMETERS
- THIS OUTLINE CONFORMS TO JEDEC PUBLICATION 95 REGISTRATION MO-153, VARIATION AA, AB-1, AB, AC, AD & AE

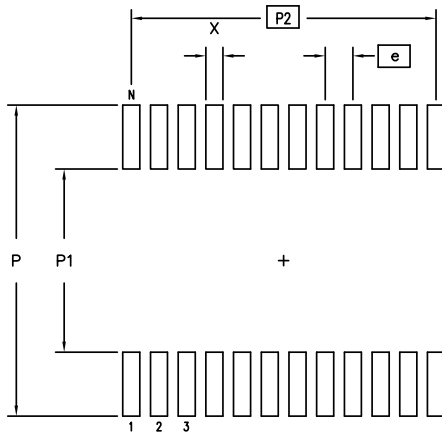
SYMBOL	OPTION T1			
	PGG14T1			
	JEDEC VARIATION			NOTE
AB-1				
	MIN	NOM	MAX	
A	.90	1.10	1.20	
A1	.05	.10	.15	
A2	.80	1.00	1.05	
D	4.90	5.00	5.10	4,5
E	6.20	6.40	6.60	3
E1	4.30	4.40	4.50	4,6
e	.65 BSC			
b	.19	.25	.30	
b1	.19	.22	.25	
c	.09	-	.20	
aaa	-	-	.10	
bbb	-	-	.10	
N	14			

TOLERANCES UNLESS SPECIFIED DECIMAL ANGULAR XXX± ± XXXX±		2975 Stender Way Santa Clara, CA 95054 PHONE: (408) 727-6116 FAX: (408) 492-8874
		www.IDT.com
TITLE PGG/PGG PACKAGE OUTLINE (PG OR PA TOPMARK CODE) 4.4 mm BODY WIDTH TSSOP .65 mm PITCH		
SIZE C	DRAWING No. PSC-4056	REV 08
DO NOT SCALE DRAWING		SHEET 2 OF 3


DATE CREATED	REVISIONS		
	REV	DESCRIPTION	AUTHOR
08/25/98	02	ADD 14 & 16 LD	T. VU
07/10/99	03	ADD 8 LD	T. VU
5/23/01	04	ADDED TOPMARK TO TITLE	
10/14/04	05	ADD "GREEN" PGG NOMENCLATURE	TU VU
3/8/13	06	ADDED PACKAGE CODE	RAC
9/3/14	07	ADD TOLERANCE FOR A, A1, E AND b	CK LEE
3/10/17	08	ADD OPTION T1	R.TANH

NOTE: REFER TO DCP FOR OFFICIAL RELEASE DATE

LAND PATTERN DIMENSIONS



	MIN	MAX	MIN	MAX	MIN	MAX	MIN	MAX	MIN	MAX	MIN	MAX
P	7.20	7.40	7.20	7.40	7.20	7.40	7.20	7.40	7.20	7.40	7.20	7.40
P1	4.20	4.40	4.20	4.40	4.20	4.40	4.20	4.40	4.20	4.40	4.20	4.40
P2	1.95 BSC		3.90 BSC		4.55 BSC		5.85 BSC		7.15 BSC		8.45 BSC	
X	.30	.50	.30	.50	.30	.50	.30	.50	.30	.50	.30	.50
e	.65 BSC		.65 BSC		.65 BSC		.65 BSC		.65 BSC		.65 BSC	
N	8		14		16		20		24		28	

TOLERANCES UNLESS SPECIFIED DECIMAL ANGULAR XX± ± XXX± ± XXXX± ±		2975 Stender Way Santa Clara, CA 95054 PHONE: (408) 727-6116 FAX: (408) 492-8674	
		www.IDT.com	
TITLE PG/PGG PACKAGE OUTLINE (PG OR PA TOPMARK CODE) 4.4 mm BODY WIDTH TSSOP .65 mm PITCH			
SIZE C	DRAWING No. PSC-4056	REV 08	
DO NOT SCALE DRAWING			SHEET 3 OF 3

Ordering Information (industrial temperature range)

Part / Order Number	Marking	Shipping Packaging	Package	Temperature
5PB1102PGGI	see page 8	Tubes	8-TSSOP	-40 to +85 °C
5PB1102PGGI8		Tape and Reel	8-TSSOP	-40 to +85 °C
5PB1104PGGI		Tubes	8-TSSOP	-40 to +85 °C
5PB1104PGGI8		Tape and Reel	8-TSSOP	-40 to +85 °C
5PB1106PGGI		Tubes	14-TSSOP	-40 to +85 °C
5PB1106PGGI8		Tape and Reel	14-TSSOP	-40 to +85 °C
5PB1108PGGI		Tubes	16-TSSOP	-40 to +85 °C
5PB1108PGGI8		Tape and Reel	16-TSSOP	-40 to +85 °C
5PB1110PGGI		Tubes	20-TSSOP	-40 to +85 °C
5PB1110PGGI8		Tape and Reel	20-TSSOP	-40 to +85 °C
5PB1102CMGI		Cut Tape	8-DFN	-40 to +85 °C
5PB1102CMGI8		Tape and Reel	8-DFN	-40 to +85 °C
5PB1104CMGI		Cut Tape	8-DFN	-40 to +85 °C
5PB1104CMGI8		Tape and Reel	8-DFN	-40 to +85 °C
5PB1104CMGI/W*		Tape and Reel	8-DFN	-40 to +85 °C
5PB1106CMGI		Cut Tape	16-QFN	-40 to +85 °C
5PB1106CMGI8		Tape and Reel	16-QFN	-40 to +85 °C
5PB1108CMGI		Cut Tape	16-QFN	-40 to +85 °C
5PB1108CMGI8		Tape and Reel	16-QFN	-40 to +85 °C
5PB1110NDGI		Tubes	20-QFN	-40 to +85 °C
5PB1110NDGI8	Tape and Reel	20-QFN	-40 to +85 °C	

* "/W" stands for tape and reel with pin 1 orientation: EIA-481-D. All other tape and reels options come with EIA-481-C pin 1 orientation.

Ordering Information (extended temperature range)

Part / Order Number	Marking	Shipping Packaging	Package	Temperature
5PB1102PGGK	see page 9	Tubes	8-TSSOP	-40 to +105 °C
5PB1102PGGK8		Tape and Reel	8-TSSOP	-40 to +105 °C
5PB1104PGGK		Tubes	8-TSSOP	-40 to +105 °C
5PB1104PGGK8		Tape and Reel	8-TSSOP	-40 to +105 °C
5PB1106PGGK		Tubes	14-TSSOP	-40 to +105 °C
5PB1106PGGK8		Tape and Reel	14-TSSOP	-40 to +105 °C
5PB1108PGGK		Tubes	16-TSSOP	-40 to +105 °C
5PB1108PGGK8		Tape and Reel	16-TSSOP	-40 to +105 °C
5PB1110PGGK		Tubes	20-TSSOP	-40 to +105 °C
5PB1110PGGK8		Tape and Reel	20-TSSOP	-40 to +105 °C
5PB1102CMGK		Cut Tape	8-DFN	-40 to +105 °C
5PB1102CMGK8		Tape and Reel	8-DFN	-40 to +105 °C
5PB1104CMGK		Cut Tape	8-DFN	-40 to +105 °C
5PB1104CMGK8		Tape and Reel	8-DFN	-40 to +105 °C
5PB1106CMGK		Cut Tape	16-QFN	-40 to +105 °C
5PB1106CMGK8		Tape and Reel	16-QFN	-40 to +105 °C
5PB1108CMGK		Cut Tape	16-QFN	-40 to +105 °C
5PB1108CMGK8		Tape and Reel	16-QFN	-40 to +105 °C
5PB1110NDGK		Tubes	20-QFN	-40 to +105 °C
5PB1110NDGK8		Tape and Reel	20-QFN	-40 to +105 °C

“G” after the two-letter package code denotes Pb-Free configuration, RoHS compliant.

Revision History

Date	Originator	Description of Change
03/20/15	B. Chandhoke	Initial release.
05/19/15	B. Chandhoke	1. Expanded Output Enable function text in General Description, and within the note under "Output Logic Table". 2. Updated all "Buffer Additive Phase Jitter, RMS" conditions from 125MHz to 156.25MHz.
06/09/15	B. Chandhoke	1. Corrected typos in part numbers in DC Electrical Tables. 2. Updated existing Output Rise/Fall Time specs for 5pF load. 3. Added additional Output Rise/Fall specs for 2pF load.
06/15/15	B. Chandhoke	Fixed typos in Output Rise/Fall Time 5pF specs for CL conditions; should be 5pF; not 2pF.
06/22/15	B. Chandhoke	Changed 3.3V Operating Voltage spec from 3.15V min to 3.135V min; 3.45V max to 3.465V max.
08/24/15	B. Chandhoke	1. Added 5PB1104CMGIW orderable part. 2. Updated Abs Max Ratings table for "Output Enable and All outputs" and "CLKIN"; changed -0.5 V to -0.4 and added -0.4 to... respectively.
05/13/16	H.G.	Replace NDG20 package outline drawing with latest version.
12/15/16	J. Chen	Updated marking diagrams for all TSSOP devices.
02/10/17	Y.G.	Change Propagation Delay maximum spec in 1.8V AC electrical characterization table from 2.2 to 2.5ns.
03/28/17	Y.G.	1. Updated Propagation Delay specifications for 5PB1106/08/10; 2.5V and 3.3V. 2. Updated output-output skew maximum specifications for 5PB1106; 1.8V, 2.5V, 3.3V. 3. Updated legal disclaimer. 4. Updated package outline drawings.
05/17/17	Y.G.	Added thermal theta JA, JB, JC values to all parts.
05/23/17	Y.G.	1. Updated 3.3V, 2.5V, and 1.8V IDD typical and maximum values. 2. Updated ordering information.



Corporate Headquarters
6024 Silver Creek Valley Road
San Jose, CA 95138 USA
www.idt.com

Sales
1-800-345-7015 or 408-284-8200
Fax: 408-284-2775
www.idt.com/go/sales

Tech Support
www.idt.com/go/support

DISCLAIMER Integrated Device Technology, Inc. (IDT) and its affiliated companies (herein referred to as "IDT") reserve the right to modify the products and/or specifications described herein at any time, without notice, at IDT's sole discretion. Performance specifications and operating parameters of the described products are determined in an independent state and are not guaranteed to perform the same way when installed in customer products. The information contained herein is provided without representation or warranty of any kind, whether express or implied, including, but not limited to, the suitability of IDT's products for any particular purpose, an implied warranty of merchantability, or non-infringement of the intellectual property rights of others. This document is presented only as a guide and does not convey any license under intellectual property rights of IDT or any third parties.

IDT's products are not intended for use in applications involving extreme environmental conditions or in life support systems or similar devices where the failure or malfunction of an IDT product can be reasonably expected to significantly affect the health or safety of users. Anyone using an IDT product in such a manner does so at their own risk, absent an express, written agreement by IDT.

Integrated Device Technology, IDT and the IDT logo are trademarks or registered trademarks of IDT and its subsidiaries in the United States and other countries. Other trademarks used herein are the property of IDT or their respective third party owners. For datasheet type definitions and a glossary of common terms, visit www.idt.com/go/glossary. Integrated Device Technology, Inc.. All rights reserved.