

## 阅读申明

- 1.本站收集的数据手册和产品资料都来自互联网，版权归原作者所有。如读者和版权方有任何异议请及时告之，我们将妥善解决。
- 2.本站提供的中文数据手册是英文数据手册的中文翻译，其目的是协助用户阅读，该译文无法自动跟随原稿更新，同时也可能存在翻译上的不当。建议读者以英文原稿为参考以便获得更精准的信息。
- 3.本站提供的产品资料，来自厂商的技术支持或者使用者的心得体会等，其内容可能存在描述上的差异，建议读者做出适当判断。
- 4.如需与我们联系，请发邮件到marketing@iczoom.com，主题请标有“数据手册”字样。

## Read Statement

1. The datasheets and other product information on the site are all from network reference or other public materials, and the copyright belongs to the original author and original published source. If readers and copyright owners have any objections, please contact us and we will deal with it in a timely manner.
2. The Chinese datasheets provided on the website is a Chinese translation of the English datasheets. Its purpose is for reader's learning exchange only and do not involve commercial purposes. The translation cannot be automatically updated with the original manuscript, and there may also be improper translations. Readers are advised to use the English manuscript as a reference for more accurate information.
3. All product information provided on the website refer to solutions from manufacturers' technical support or users the contents may have differences in description, and readers are advised to take the original article as the standard.
4. If you have any questions, please contact us at marketing@iczoom.com and mark the subject with "Datasheets" .

## GENERAL DESCRIPTION

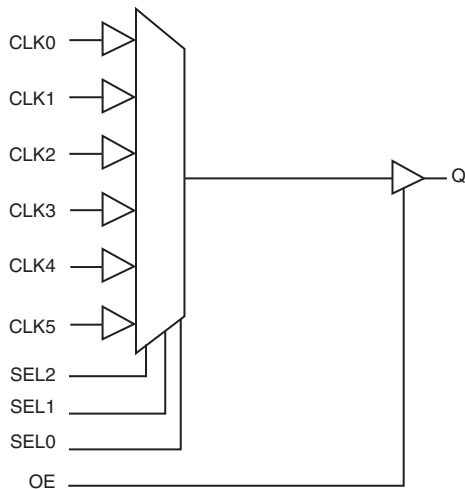
The 83056 is a low skew, 6:1, Single-ended Multiplexer from IDT. The 83056 has six selectable single-ended clock inputs and one single-ended clock output. The output has a  $V_{DDO}$  pin which may be set at 3.3V, 2.5V, or 1.8V, making the device ideal for use in voltage translation applications. An output enable pin places the output in a high impedance state which may be useful for testing or debug purposes. The device operates up to 250MHz and is packaged in a 16 TSSOP package.

## FEATURES

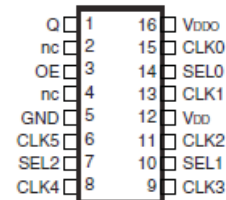
- 6:1 single-ended multiplexer
- Q nominal output impedance:  $7\Omega$  ( $V_{DDO} = 3.3V$ )
- Maximum output frequency: 250MHz
- Propagation delay: 3ns (maximum),  $V_{DD} = V_{DDO} = 3.3V$
- Input skew: 225ps (maximum),  $V_{DD} = V_{DDO} = 3.3V$
- Part-to-part skew: 475ps (maximum),  $V_{DD} = V_{DDO} = 3.3V$
- Additive phase jitter, RMS: 0.19ps (typical), 3.3V/3.3V
- Operating supply modes:  

$V_{DD}/V_{DDO}$
3.3V/3.3V
3.3V/2.5V
3.3V/1.8V
2.5V/2.5V
2.5V/1.8V
- -40°C to 85°C ambient operating temperature
- Available in lead-free (RoHS 6) package

## BLOCK DIAGRAM



## PIN ASSIGNMENT



**83056**  
**16-Lead TSSOP**  
 4.4mm x 5.0mm x 0.92mm package body  
**G Package**  
 Top View

**TABLE 1. PIN DESCRIPTIONS**

Number	Name	Type		Description
1	Q	Output		Single-ended clock output. LVCMOS/LVTTL interface levels.
2, 4	nc	Unused		No connect.
6, 8, 9, 11, 13, 15	CLK5, CLK4, CLK3, CLK2, CLK1, CLK0	Input	Pulldown	Single-ended clock inputs. LVCMOS/LVTTL interface levels.
3	OE	Input	Pullup	Output enable. When LOW, outputs are in HIGH impedance state. When HIGH, outputs are active. LVCMOS / LVTTL interface levels.
5	GND	Power		Power supply ground.
7, 10, 14	SEL2, SEL1, SEL0	Input	Pulldown	Clock select input. See Control Input Function Table. LVCMOS / LVTTL interface levels.
12	V <sub>DD</sub>	Power		Core and input supply pin.
16	V <sub>DDO</sub>	Power		Output supply pin.

NOTE: *Pullup* and *Pulldown* refer to internal input resistors. See Table 2, Pin Characteristics, for typical values.

**TABLE 2. PIN CHARACTERISTICS**

Symbol	Parameter	Test Conditions	Minimum	Typical	Maximum	Units
C <sub>IN</sub>	Input Capacitance			4		pF
R <sub>PULLUP</sub>	Input Pullup Resistor			51		kΩ
R <sub>PULLDOWN</sub>	Input Pulldown Resistor			51		kΩ
C <sub>PD</sub>	Power Dissipation Capacitance (per output)	V = 3.465V		18		pF
		V = 2.625V		20		pF
		V = 1.89V		30		pF
R <sub>OUT</sub>	Output Impedance	V = 3.465V		7		Ω
		V = 2.625V		7		Ω
		V = 1.89V		10		Ω

**TABLE 3. CONTROL INPUT FUNCTION TABLE**

Control Inputs			Input Selected to Q
SEL2	SEL1	SEL0	
0	0	0	CLK0
0	0	1	CLK1
0	1	0	CLK2
0	1	1	CLK3
1	0	0	CLK4
1	0	1	CLK5
1	1	0	LOW
1	1	1	LOW

**ABSOLUTE MAXIMUM RATINGS**

Supply Voltage, $V_{DD}$	4.6V
Inputs, $V_I$	-0.5V to $V_{DD} + 0.5V$
Outputs, $V_O$	-0.5V to $V_{DDO} + 0.5V$
Package Thermal Impedance, $\theta_{JA}$	89°C/W (0 lfpm)
Storage Temperature, $T_{STG}$	-65°C to 150°C

NOTE: Stresses beyond those listed under Absolute Maximum Ratings may cause permanent damage to the device. These ratings are stress specifications only. Functional operation of product at these conditions or any conditions beyond those listed in the *DC Characteristics* or *AC Characteristics* is not implied. Exposure to absolute maximum rating conditions for extended periods may affect product reliability.

**TABLE 4A. POWER SUPPLY DC CHARACTERISTICS,  $V_{DD} = V_{DDO} = 3.3V \pm 5\%$ ,  $T_A = -40^\circ\text{C}$  TO  $85^\circ\text{C}$** 

Symbol	Parameter	Test Conditions	Minimum	Typical	Maximum	Units
$V_{DD}$	Power Supply Voltage		3.135	3.3	3.465	V
$V_{DDO}$	Output Supply Voltage		3.135	3.3	3.465	V
$I_{DD}$	Power Supply Current				40	mA
$I_{DDO}$	Output Supply Current				5	mA

**TABLE 4B. POWER SUPPLY DC CHARACTERISTICS,  $V_{DD} = 3.3V \pm 5\%$ ,  $V_{DDO} = 2.5V \pm 5\%$ ,  $T_A = -40^\circ\text{C}$  TO  $85^\circ\text{C}$** 

Symbol	Parameter	Test Conditions	Minimum	Typical	Maximum	Units
$V_{DD}$	Power Supply Voltage		3.135	3.3	3.465	V
$V_{DDO}$	Output Supply Voltage		2.375	2.5	2.625	V
$I_{DD}$	Power Supply Current				40	mA
$I_{DDO}$	Output Supply Current				5	mA

**TABLE 4C. POWER SUPPLY DC CHARACTERISTICS,  $V_{DD} = 3.3V \pm 5\%$ ,  $V_{DDO} = 1.8V \pm 0.2V$ ,  $T_A = -40^\circ\text{C}$  TO  $85^\circ\text{C}$** 

Symbol	Parameter	Test Conditions	Minimum	Typical	Maximum	Units
$V_{DD}$	Power Supply Voltage		3.135	3.3	3.465	V
$V_{DDO}$	Output Supply Voltage		1.71	1.8	1.89	V
$I_{DD}$	Power Supply Current				40	mA
$I_{DDO}$	Output Supply Current				5	mA

**TABLE 4D. POWER SUPPLY DC CHARACTERISTICS,  $V_{DD} = V_{DDO} = 2.5V \pm 5\%$ ,  $T_A = -40^\circ\text{C}$  TO  $85^\circ\text{C}$** 

Symbol	Parameter	Test Conditions	Minimum	Typical	Maximum	Units
$V_{DD}$	Power Supply Voltage		2.375	2.5	2.625	V
$V_{DDO}$	Output Supply Voltage		2.375	2.5	2.625	V
$I_{DD}$	Power Supply Current				35	mA
$I_{DDO}$	Output Supply Current				5	mA

**TABLE 4E. POWER SUPPLY DC CHARACTERISTICS,  $V_{DD} = 2.5V \pm 5\%$ ,  $V_{DDO} = 1.8V \pm 0.2V$ ,  $T_A = -40^\circ\text{C}$  TO  $85^\circ\text{C}$** 

Symbol	Parameter	Test Conditions	Minimum	Typical	Maximum	Units
$V_{DD}$	Power Supply Voltage		2.375	2.5	2.625	V
$V_{DDO}$	Output Supply Voltage		1.71	1.8	1.89	V
$I_{DD}$	Power Supply Current				35	mA
$I_{DDO}$	Output Supply Current				5	mA

**TABLE 4F. LVCMOS/LVTTL DC CHARACTERISTICS,  $T_A = -40^{\circ}\text{C}$  TO  $85^{\circ}\text{C}$** 

Symbol	Parameter	Test Conditions	Minimum	Typical	Maximum	Units
$V_{IH}$	Input High Voltage	$V_{DD} = 3.3V \pm 5\%$	2		$V_{DD} + 0.3$	V
		$V_{DD} = 2.5V \pm 5\%$	1.7		$V_{DD} + 0.3$	V
$V_{IL}$	Input Low Voltage	$V_{DD} = 3.3V \pm 5\%$	-0.3		0.8	V
		$V_{DD} = 2.5V \pm 5\%$	-0.3		0.7	V
$I_{IH}$	Input High Current	CLK0:CLK5, SEL0:SEL2 $V_{DD} = 3.3V$ or $2.5V \pm 5\%$			150	$\mu\text{A}$
		OE $V_{DD} = 3.3V$ or $2.5V \pm 5\%$			5	$\mu\text{A}$
$I_{IL}$	Input Low Current	CLK0:CLK5, SEL0:SEL2 $V_{DD} = 3.3V$ or $2.5V \pm 5\%$	-5			$\mu\text{A}$
		OE $V_{DD} = 3.3V$ or $2.5V \pm 5\%$	-150			$\mu\text{A}$
$V_{OH}$	Output High Voltage	$V_{DDO} = 3.3V \pm 5\%$ ; NOTE 1	2.6			V
		$V_{DDO} = 2.5V \pm 5\%$ ; NOTE 1	1.8			V
		$V_{DDO} = 1.8V \pm 5\%$ ; NOTE 1	$V_{DD} - 0.3$			V
$V_{OL}$	Output Low Voltage	$V_{DDO} = 3.3V \pm 5\%$ ; NOTE 1			0.5	V
		$V_{DDO} = 2.5V \pm 5\%$ ; NOTE 1			0.45	V
		$V_{DDO} = 1.8V \pm 5\%$ ; NOTE 1			0.35	V

NOTE 1: Outputs terminated with 50 $\Omega$  to  $V_{DDO}/2$ . See Parameter Measurement section, "Load Test Circuit" diagrams.

**TABLE 5A. AC CHARACTERISTICS,  $V_{DD} = V_{DDO} = 3.3V \pm 5\%$ ,  $T_A = -40^{\circ}\text{C}$  TO  $85^{\circ}\text{C}$** 

Symbol	Parameter	Test Conditions	Minimum	Typical	Maximum	Units
$f_{MAX}$	Output Frequency				250	MHz
$t_{pLH}$	Propagation Delay, Low to High; NOTE 1		2.4	2.7	3.0	ns
$t_{pHL}$	Propagation Delay, High to Low; NOTE 1		2.5	2.7	2.9	ns
$t_{sk(i)}$	Input Skew; NOTE 2			55	225	ps
$t_{jit}$	Buffer Additive Phase Jitter, RMS; refer to Additive Phase Jitter Section; NOTE 3	155.52MHz, (12kHz to 20MHz)		0.19		ps
$t_{sk(pp)}$	Part-to-Part Skew; NOTE 2, 4				475	ps
$t_R / t_F$	Output Rise/Fall Time	20% to 80%	50		500	ps
odc	Output Duty Cycle		45		55	%
$MUX_{ISOL}$	MUX Isolation	@ 100MHz		45		dB

NOTE 1: Measured from  $V_{DD}/2$  of the input to  $V_{DDO}/2$  of the output.

NOTE 2: This parameter is defined in accordance with JEDEC Standard 65.

NOTE 3: Driving only one input clock.

NOTE 4: Defined as skew between outputs on different devices operating at the same supply voltages and with equal load conditions. Using the same type of input on each device, the output is measured at  $V_{DDO}/2$ .

**TABLE 5B. AC CHARACTERISTICS,  $V_{DD} = 3.3V \pm 5\%$ ,  $V_{DDO} = 2.5V \pm 5\%$ ,  $T_A = -40^\circ\text{C}$  TO  $85^\circ\text{C}$** 

Symbol	Parameter	Test Conditions	Minimum	Typical	Maximum	Units
$f_{MAX}$	Output Frequency				250	MHz
$tp_{LH}$	Propagation Delay, Low to High; NOTE 1		2.5	2.8	3.1	ns
$tp_{HL}$	Propagation Delay, High to Low; NOTE 1		2.6	2.8	3.0	ns
$tsk(i)$	Input Skew; NOTE 2			45	150	ps
$\tau_{jit}$	Buffer Additive Phase Jitter, RMS; refer to Additive Phase Jitter Section; NOTE 3	155.52MHz, (12kHz to 20MHz)		0.14		ps
$tsk(pp)$	Part-to-Part Skew; NOTE 2, 4				400	ps
$t_R / t_F$	Output Rise/Fall Time	20% to 80%	50		500	ps
odc	Output Duty Cycle		45		55	%
$MUX_{ISOL}$	MUX Isolation	@ 100MHz		45		dB

NOTE 1: Measured from  $V_{DD}/2$  of the input to  $V_{DDO}/2$  of the output.

NOTE 2: This parameter is defined in accordance with JEDEC Standard 65.

NOTE 3: Driving only one input clock.

NOTE 4: Defined as skew between outputs on different devices operating at the same supply voltages and with equal load conditions. Using the same type of input on each device, the output is measured at  $V_{DDO}/2$ .

**TABLE 5C. AC CHARACTERISTICS,  $V_{DD} = 3.3V \pm 5\%$ ,  $V_{DDO} = 1.8V \pm 5\%$ ,  $T_A = -40^\circ\text{C}$  TO  $85^\circ\text{C}$** 

Symbol	Parameter	Test Conditions	Minimum	Typical	Maximum	Units
$f_{MAX}$	Output Frequency				250	MHz
$tp_{LH}$	Propagation Delay, Low to High; NOTE 1		2.7	3.2	3.8	ns
$tp_{HL}$	Propagation Delay, High to Low; NOTE 1		2.8	3.3	3.8	ns
$tsk(i)$	Input Skew; NOTE 2			50	150	ps
$\tau_{jit}$	Buffer Additive Phase Jitter, RMS; refer to Additive Phase Jitter Section; NOTE 3	155.52MHz, (12kHz to 20MHz)		0.16		ps
$tsk(pp)$	Part-to-Part Skew; NOTE 2, 4				475	ps
$t_R / t_F$	Output Rise/Fall Time	20% to 80%	100		700	ps
odc	Output Duty Cycle		45		55	%
$MUX_{ISOL}$	MUX Isolation	@ 100MHz		45		dB

NOTE 1: Measured from  $V_{DD}/2$  of the input to  $V_{DDO}/2$  of the output.

NOTE 2: This parameter is defined in accordance with JEDEC Standard 65.

NOTE 3: Driving only one input clock.

NOTE 4: Defined as skew between outputs on different devices operating at the same supply voltages and with equal load conditions. Using the same type of input on each device, the output is measured at  $V_{DDO}/2$ .

**TABLE 5D. AC CHARACTERISTICS,  $V_{DD} = V_{DDO} = 2.5V \pm 5\%$ ,  $T_A = -40^\circ C$  TO  $85^\circ C$** 

Symbol	Parameter	Test Conditions	Minimum	Typical	Maximum	Units
$f_{MAX}$	Output Frequency				250	MHz
$tp_{LH}$	Propagation Delay, Low to High; NOTE 1		2.5	3.0	3.5	ns
$tp_{HL}$	Propagation Delay, High to Low; NOTE 1		2.5	2.9	3.4	ns
$tsk(i)$	Input Skew; NOTE 2			60	175	ps
$tjit$	Buffer Additive Phase Jitter, RMS; refer to Additive Phase Jitter Section; NOTE 3	155.52MHz, (12kHz to 20MHz)		0.21		ps
$tsk(pp)$	Part-to-Part Skew; NOTE 2, 4				300	ps
$t_R / t_F$	Output Rise/Fall Time	20% to 80%	100		500	ps
odc	Output Duty Cycle		40		60	%
$MUX_{ISOL}$	MUX Isolation	@ 100MHz		45		dB

NOTE 1: Measured from  $V_{DD}/2$  of the input to  $V_{DDO}/2$  of the output.

NOTE 2: This parameter is defined in accordance with JEDEC Standard 65.

NOTE 3: Driving only one input clock.

NOTE 4: Defined as skew between outputs on different devices operating at the same supply voltages and with equal load conditions. Using the same type of input on each device, the output is measured at  $V_{DDO}/2$ .

**TABLE 5E. AC CHARACTERISTICS,  $V_{DD} = 2.5V \pm 5\%$ ,  $V_{DDO} = 1.8V \pm -5\%$ ,  $T_A = -40^\circ C$  TO  $85^\circ C$** 

Symbol	Parameter	Test Conditions	Minimum	Typical	Maximum	Units
$f_{MAX}$	Output Frequency				250	MHz
$tp_{LH}$	Propagation Delay, Low to High; NOTE 1		2.6	3.3	4.0	ns
$tp_{HL}$	Propagation Delay, High to Low; NOTE 1		2.7	3.3	4.0	ns
$tsk(i)$	Input Skew; NOTE 2			50	150	ps
$tjit$	Buffer Additive Phase Jitter, RMS; refer to Additive Phase Jitter Section; NOTE 3	155.52MHz, (12kHz to 20MHz)		0.17		ps
$tsk(pp)$	Part-to-Part Skew; NOTE 2, 4				325	ps
$t_R / t_F$	Output Rise/Fall Time	20% to 80%	100		700	ps
odc	Output Duty Cycle		40		60	%
$MUX_{ISOL}$	MUX Isolation	@ 100MHz		45		dB

NOTE 1: Measured from  $V_{DD}/2$  of the input to  $V_{DDO}/2$  of the output.

NOTE 2: This parameter is defined in accordance with JEDEC Standard 65.

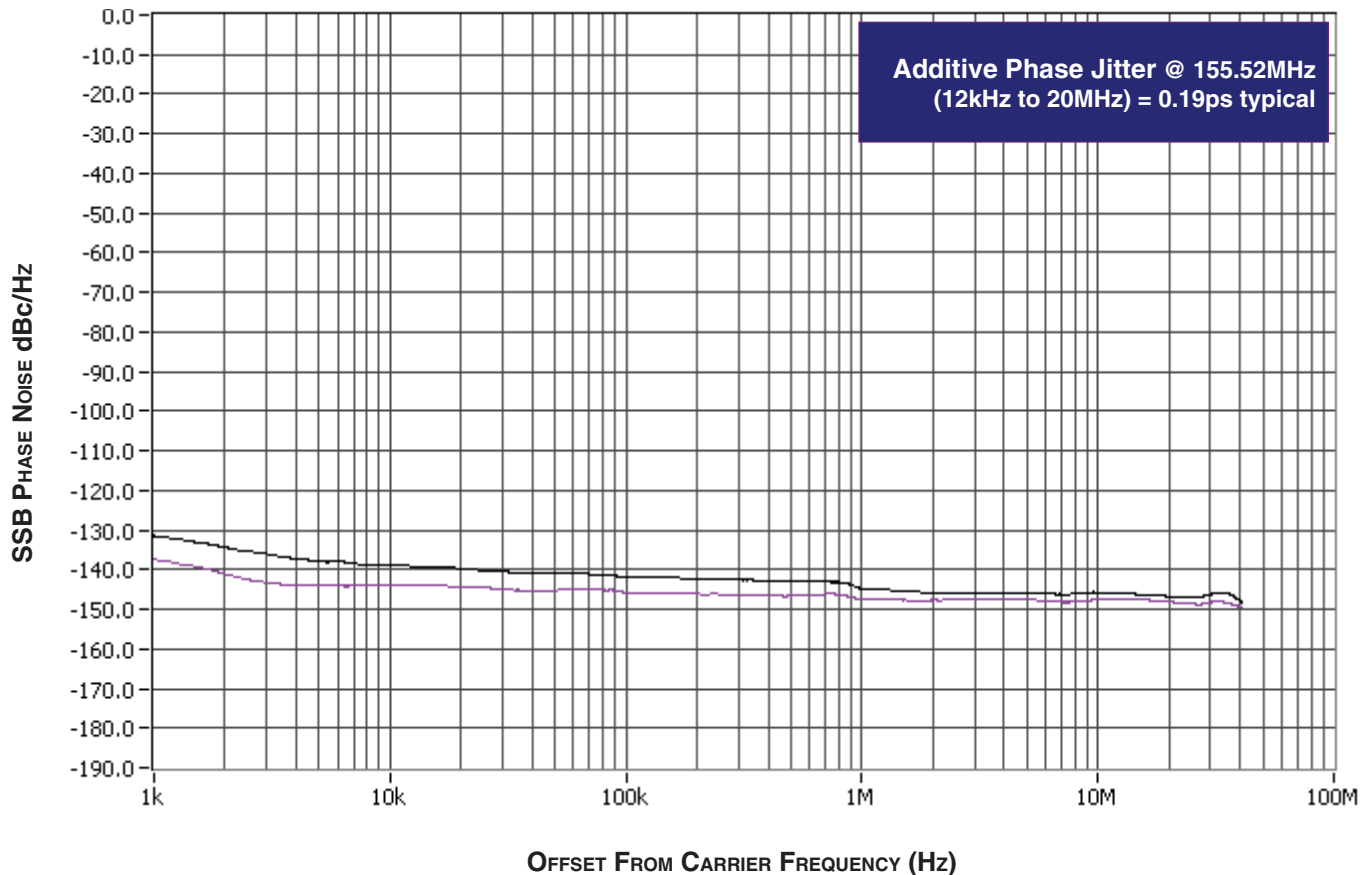
NOTE 3: Driving only one input clock.

NOTE 4: Defined as skew between outputs on different devices operating at the same supply voltages and with equal load conditions. Using the same type of input on each device, the output is measured at  $V_{DDO}/2$ .

## ADDITIVE PHASE JITTER

The spectral purity in a band at a specific offset from the fundamental compared to the power of the fundamental is called the **dBc Phase Noise**. This value is normally expressed using a Phase noise plot and is most often the specified plot in many applications. Phase noise is defined as the ratio of the noise power present in a 1Hz band at a specified offset from the fundamental frequency to the power value of the fundamental. This ratio is expressed in decibels (dBm) or a ratio of the power in the 1Hz band to the power in the

fundamental. When the required offset is specified, the phase noise is called a **dBc** value, which simply means dBm at a specified offset from the fundamental. By investigating jitter in the frequency domain, we get a better understanding of its effects on the desired application over the entire time record of the signal. It is mathematically possible to calculate an expected bit error rate given a phase noise plot.

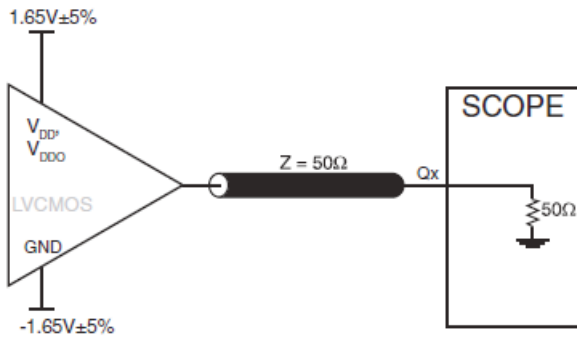
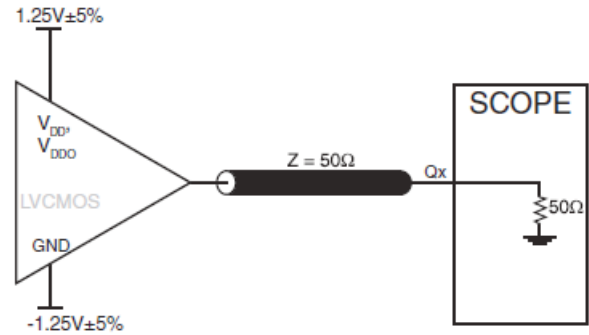
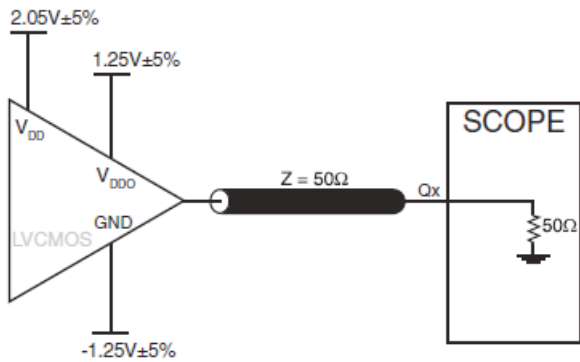
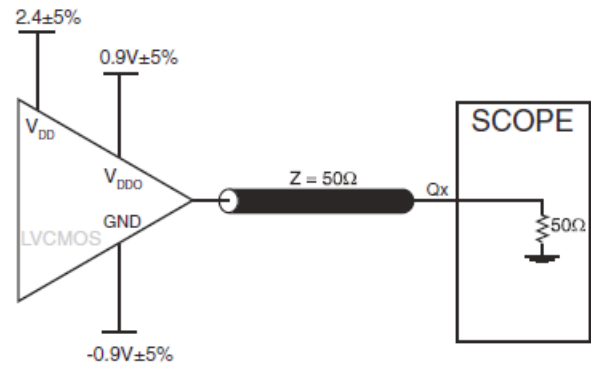
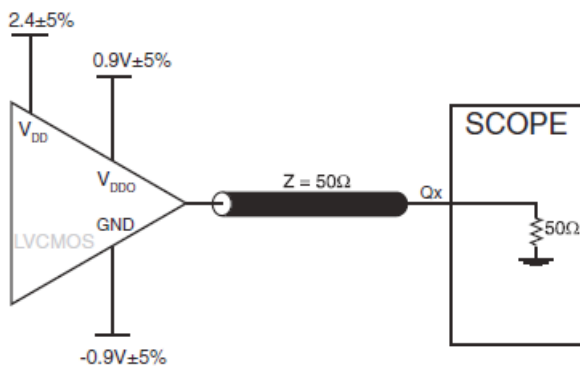


As with most timing specifications, phase noise measurements have issues. The primary issue relates to the limitations of the equipment. Often the noise floor of the equipment is higher than the noise floor of the device. This is illustrated above. The device meets the noise

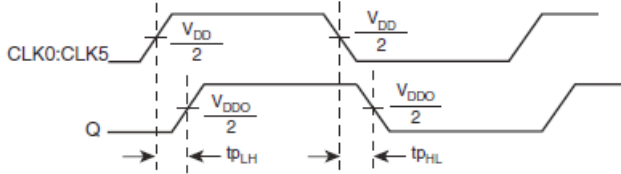
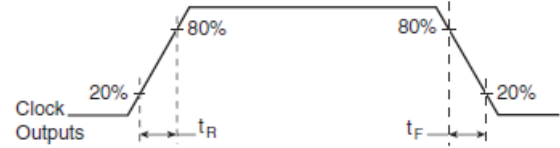
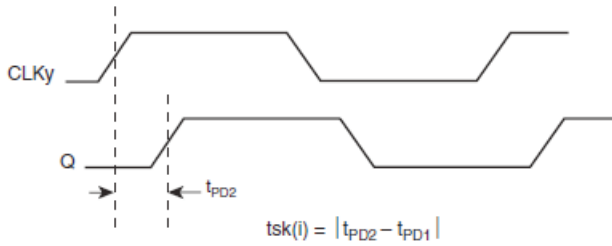
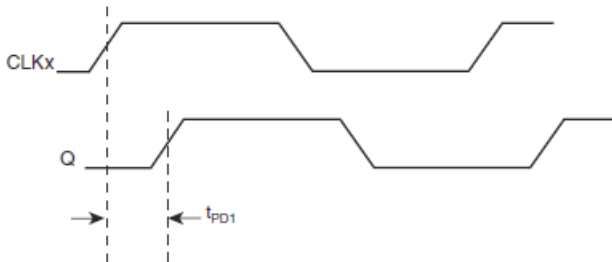
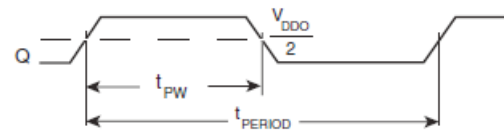
floor of what is shown, but can actually be lower. The phase noise is dependant on the input source and measurement equipment.



## PARAMETER MEASUREMENT INFORMATION


**3.3V CORE/3.3V OUTPUT LOAD AC TEST CIRCUIT**

**2.5V CORE/2.5V OUTPUT LOAD AC TEST CIRCUIT**

**3.3V CORE/2.5V OUTPUT LOAD AC TEST CIRCUIT**

**3.3V CORE/1.8V OUTPUT LOAD AC TEST CIRCUIT**

**2.5 CORE/1.8V OUTPUT LOAD AC TEST CIRCUIT**

**PART-TO-PART SKEW**


**PROPAGATION DELAY**

**OUTPUT RISE/FALL TIME**

**INPUT SKEW**


$$odc = \frac{t_{PW}}{t_{PERIOD}} \times 100\%$$

**OUTPUT DUTY CYCLE/PULSE WIDTH/PERIOD**

## APPLICATION INFORMATION

### RECOMMENDATIONS FOR UNUSED INPUT PINS

#### INPUTS:

##### CLK INPUT:

For applications not requiring the use of a clock input, it can be left floating. Though not required, but for additional protection, a 1k $\Omega$  resistor can be tied from the CLK input to ground.

##### LVC MOS CONTROL PINS:

All control pins have internal pull-ups or pull-downs; additional resistance is not required but can be added for additional protection. A 1k $\Omega$  resistor can be used.

## RELIABILITY INFORMATION

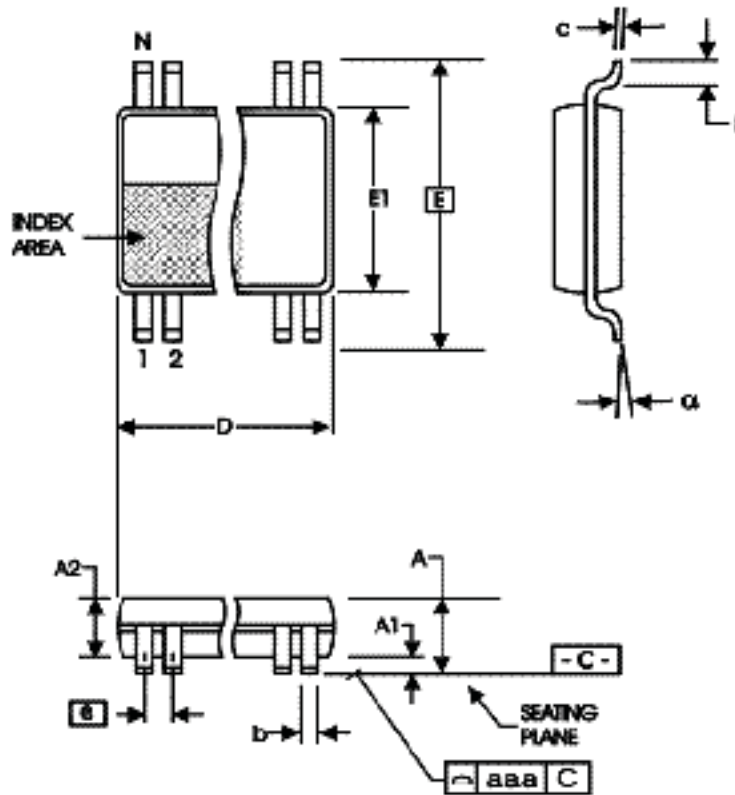
**TABLE 6.  $\theta_{JA}$  VS. AIR FLOW TABLE FOR 16 LEAD TSSOP**

$\theta_{JA}$ by Velocity (Linear Feet per Minute)			
	<b>0</b>	<b>200</b>	<b>500</b>
Single-Layer PCB, JEDEC Standard Test Boards	137.1°C/W	118.2°C/W	106.8°C/W
Multi-Layer PCB, JEDEC Standard Test Boards	89.0°C/W	81.8°C/W	78.1°C/W

**NOTE:** Most modern PCB designs use multi-layered boards. The data in the second row pertains to most designs.

### TRANSISTOR COUNT

The transistor count for 83056 is: 874

**PACKAGE OUTLINE - G SUFFIX FOR 16 LEAD TSSOP**

**TABLE 7. PACKAGE DIMENSIONS**

SYMBOL	Millimeters	
	Minimum	Maximum
N	16	
A	--	1.20
A1	0.05	0.15
A2	0.80	1.05
b	0.19	0.30
c	0.09	0.20
D	4.90	5.10
E	6.40 BASIC	
E1	4.30	4.50
e	0.65 BASIC	
L	0.45	0.75
$\alpha$	0°	8°
aaa	--	0.10

Reference Document: JEDEC Publication 95, MO-153

**TABLE 8. ORDERING INFORMATION**

Part/Order Number	Marking	Package	Shipping Packaging	Temperature
83056AGILF	83056AIL	16 Lead "Lead-Free" TSSOP	tube	-40°C to 85°C
83056AGILFT	83056AIL	16 Lead "Lead-Free" TSSOP	tape & reel	-40°C to 85°C

REVISION HISTORY SHEET				
Rev	Table	Page	Description of Change	Date
A	T8	12	Ordering Information Table - added Lead-Free marking.	1/18/06
B	T5A - T5E	1 4 - 6 7	Features Section - added Additive Phase Jitter bullet. AC Characteristics Tables - added tjit row and spec. Added Additive Phase Jitter section.	01/04/07
B	T8	13	Ordering Information - removed leaded devices. Updated data sheet format.	3/20/15
B	T8	13	Ordering Information - Removed ICS from the Part/Order Number. Deleted LF note below table. Updated header and footer.	3/10/16



Corporate Headquarters  
6024 Silver Creek Valley Road  
San Jose, CA 95138 USA  
[www.IDT.com](http://www.IDT.com)

Sales  
1-800-345-7015 or 408-284-8200  
Fax: 408-284-2775  
[www.IDT.com/go/sales](http://www.IDT.com/go/sales)

Tech Support  
[www.idt.com/go/support](http://www.idt.com/go/support)

DISCLAIMER Integrated Device Technology, Inc. (IDT) reserves the right to modify the products and/or specifications described herein at any time, without notice, at IDT's sole discretion. Performance specifications and operating parameters of the described products are determined in an independent state and are not guaranteed to perform the same way when installed in customer products. The information contained herein is provided without representation or warranty of any kind, whether express or implied, including, but not limited to, the suitability of IDT's products for any particular purpose, an implied warranty of merchantability, or non-infringement of the intellectual property rights of others. This document is presented only as a guide and does not convey any license under intellectual property rights of IDT or any third parties.

IDT's products are not intended for use in applications involving extreme environmental conditions or in life support systems or similar devices where the failure or malfunction of an IDT product can be reasonably expected to significantly affect the health or safety of users. Anyone using an IDT product in such a manner does so at their own risk, absent an express, written agreement by IDT.

Integrated Device Technology, IDT and the IDT logo are trademarks or registered trademarks of IDT and its subsidiaries in the United States and other countries. Other trademarks used herein are the property of IDT or their respective third party owners.

For datasheet type definitions and a glossary of common terms, visit [www.idt.com/go/glossary](http://www.idt.com/go/glossary).

Copyright ©2016 Integrated Device Technology, Inc. All rights reserved.