

## 阅读申明

- 1.本站收集的数据手册和产品资料都来自互联网，版权归原作者所有。如读者和版权方有任何异议请及时告之，我们将妥善解决。
- 2.本站提供的中文数据手册是英文数据手册的中文翻译，其目的是协助用户阅读，该译文无法自动跟随原稿更新，同时也可能存在翻译上的不当。建议读者以英文原稿为参考以便获得更精准的信息。
- 3.本站提供的产品资料，来自厂商的技术支持或者使用者的心得体会等，其内容可能存在描述上的差异，建议读者做出适当判断。
- 4.如需与我们联系，请发邮件到marketing@iczoom.com，主题请标有“数据手册”字样。

## Read Statement

1. The datasheets and other product information on the site are all from network reference or other public materials, and the copyright belongs to the original author and original published source. If readers and copyright owners have any objections, please contact us and we will deal with it in a timely manner.
2. The Chinese datasheets provided on the website is a Chinese translation of the English datasheets. Its purpose is for reader's learning exchange only and do not involve commercial purposes. The translation cannot be automatically updated with the original manuscript, and there may also be improper translations. Readers are advised to use the English manuscript as a reference for more accurate information.
3. All product information provided on the website refer to solutions from manufacturers' technical support or users the contents may have differences in description, and readers are advised to take the original article as the standard.
4. If you have any questions, please contact us at marketing@iczoom.com and mark the subject with "Datasheets" .

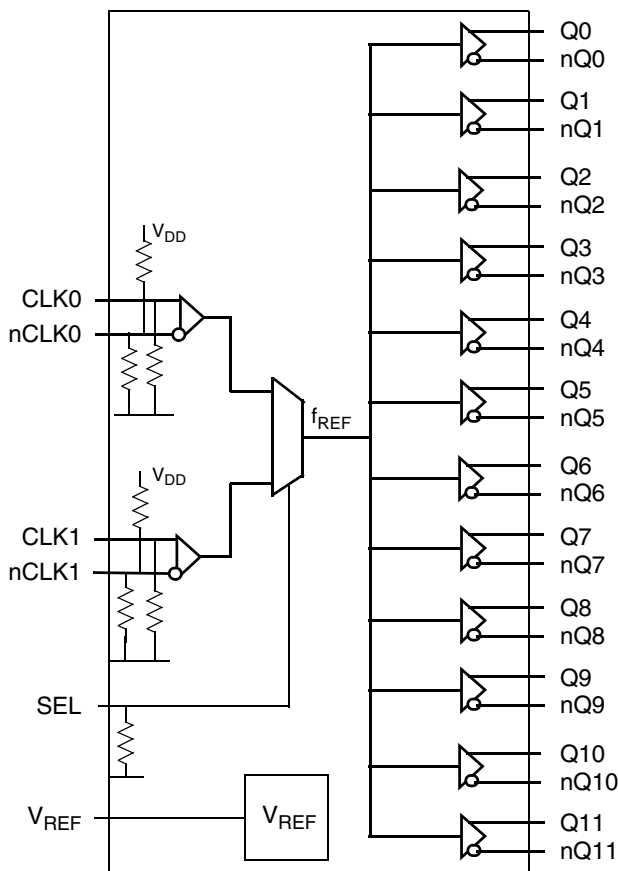
### General Description

The IDT8P34S1212I is a high-performance differential LVDS fanout buffer. The device is designed for the fanout of high-frequency, very low additive phase-noise clock and data signals. The IDT8P34S1212I is characterized to operate from a 1.8V power supply. Guaranteed output-to-output and part-to-part skew characteristics make the IDT8P34S1212I ideal for those clock distribution applications demanding well-defined performance and repeatability. Two selectable differential inputs and twelve low skew outputs are available. The integrated bias voltage reference enables easy interfacing of single-ended signals to the device inputs. The device is optimized for low power consumption and low additive phase noise.

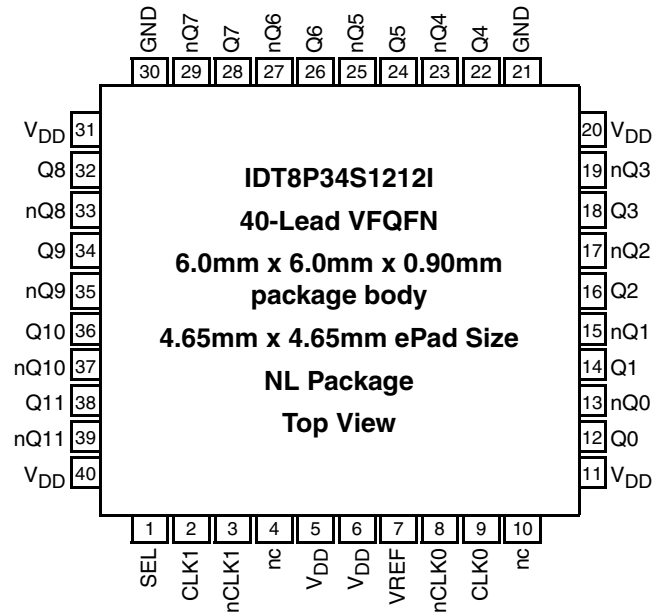
### Features

- Twelve low skew, low additive jitter LVDS output pairs
- Two selectable, differential clock input pairs
- Differential CLK0, CLK1 pairs can accept the following differential input levels: LVDS, CML
- Maximum input clock frequency: 1.2GHz (maximum)
- LVCMOS/LVTTL interface levels for the control input select pin
- Output skew: 10ps (typical)
- Propagation delay: 340ps (typical)
- Low additive phase jitter, RMS;  $f_{REF} = 156.25\text{MHz}$ ,  $V_{PP} = 1\text{V}$ , 12kHz- 20MHz: 41fs (typical)
- Maximum device current consumption ( $I_{DD}$ ): 227mA (maximum) @ 1.89V
- Full 1.8V supply voltage
- Lead-free (RoHS 6), 40-Lead VFQFN packaging
- -40°C to 85°C ambient operating temperature

### Block Diagram



### Pin Assignment



## Pin Descriptions and Characteristics

**Table 1. Pin Descriptions**<sup>Note 1.</sup>

| Number                  | Name             | Type   |                     | Description                                                                                                                                                                                      |
|-------------------------|------------------|--------|---------------------|--------------------------------------------------------------------------------------------------------------------------------------------------------------------------------------------------|
| 1                       | SEL              | Input  | Pulldown            | Reference select control. See Table 3 for function. LVCMOS/LVTTL interface levels.                                                                                                               |
| 2                       | CLK1             | Input  | Pulldown            | Non-inverting differential clock/data input.                                                                                                                                                     |
| 3                       | nCLK1            | Input  | Pulldown/<br>Pullup | Inverting differential clock input.                                                                                                                                                              |
| 4, 10                   | nc               | Unused |                     | Do not connect.                                                                                                                                                                                  |
| 5, 6, 11, 20,<br>31, 40 | V <sub>DD</sub>  | Power  |                     | Power supply pins.                                                                                                                                                                               |
| 7                       | V <sub>REF</sub> |        |                     | Bias voltage reference. Provides an input bias voltage for the CLKx, nCLKx input pairs in AC-coupled applications. Refer to <i>Figures 2B and 2C</i> for applicable AC-coupled input interfaces. |
| 8                       | nCLK0            | Input  | Pulldown/<br>Pullup | Inverting LVPECL differential clock input.                                                                                                                                                       |
| 9                       | CLK0             | Input  | Pulldown            | Non-inverting LVPECL differential clock/data input.                                                                                                                                              |
| 12, 13                  | Q0, nQ0          | Output |                     | Differential output pair 0. LVDS interface levels.                                                                                                                                               |
| 14, 15                  | Q1, nQ1          | Output |                     | Differential output pair 1. LVDS interface levels.                                                                                                                                               |
| 16, 17                  | Q2, nQ2          | Output |                     | Differential output pair 2. LVDS interface levels.                                                                                                                                               |
| 18, 19                  | Q3, nQ3          | Output |                     | Differential output pair 3. LVDS interface levels.                                                                                                                                               |
| 21, 30                  | GND              | Power  |                     | Power supply ground.                                                                                                                                                                             |
| 22, 23                  | Q4, nQ4          | Output |                     | Differential output pair 4. LVDS interface levels.                                                                                                                                               |
| 24, 25                  | Q5, nQ5          | Output |                     | Differential output pair 5. LVDS interface levels.                                                                                                                                               |
| 26, 27                  | Q6, nQ6          | Output |                     | Differential output pair 6. LVDS interface levels.                                                                                                                                               |
| 28, 29                  | Q7, nQ7          | Output |                     | Differential output pair 7. LVDS interface levels.                                                                                                                                               |
| 32, 33                  | Q8, nQ8          | Output |                     | Differential output pair 8. LVDS interface levels.                                                                                                                                               |
| 34, 35                  | Q9, nQ9          | Output |                     | Differential output pair 9. LVDS interface levels.                                                                                                                                               |
| 36, 37                  | Q10, nQ10        | Output |                     | Differential output pair 10. LVDS interface levels.                                                                                                                                              |
| 38, 39                  | Q11, nQ11        | Output |                     | Differential output pair 11. LVDS interface levels.                                                                                                                                              |

1. Pulldown and Pullup refers to an internal input resistors. See Table 2, *Pin Characteristics*, for typical values.

**Table 2. Pin Characteristics**

| Symbol                | Parameter               | Test Conditions | Minimum | Typical | Maximum | Units      |
|-----------------------|-------------------------|-----------------|---------|---------|---------|------------|
| C <sub>IN</sub>       | Input Capacitance       |                 |         | 2       |         | pF         |
| R <sub>PULLDOWN</sub> | Input Pulldown Resistor |                 |         | 51      |         | k $\Omega$ |
| R <sub>PULLUP</sub>   | Input Pullup Resistor   |                 |         | 51      |         | k $\Omega$ |

**Table 3. SEL Input Function Table**<sup>Note 1.</sup>

| Input       | Operation                                             |
|-------------|-------------------------------------------------------|
| 0 (Default) | CLK0, nCLK0 is the selected differential clock input. |
| 1           | CLK1, nCLK1 is the selected differential clock input. |

1. SEL is an asynchronous control.

## Absolute Maximum Ratings

NOTE: Stresses beyond those listed under *Absolute Maximum Ratings* may cause permanent damage to the device. These ratings are stress specifications only. Functional operation of the product at these conditions or any conditions beyond those listed in the *DC Characteristics* or *AC Characteristics* is not implied. Exposure to absolute maximum rating conditions for extended periods may affect product reliability.

| Item                                                  | Rating                   |
|-------------------------------------------------------|--------------------------|
| Supply Voltage, $V_{DD}$                              | 4.6V                     |
| Inputs, $V_I$                                         | -0.5V to $V_{DD} + 0.5V$ |
| Outputs, $I_O$<br>Continuous Current<br>Surge Current | 10mA<br>15mA             |
| Input Sink/Source, $I_{REF}$                          | $\pm 2mA$                |
| Maximum Junction Temperature, $T_{J,MAX}$             | 125°C                    |
| Storage Temperature, $T_{STG}$                        | -65°C to 150°C           |
| ESD - Human Body Model <sup>Note 1.</sup>             | 2000V                    |
| ESD - Charged Device Model <sup>Note 1.</sup>         | 1500V                    |

1. According to JEDEC JS-001-2012/JESD11-C101E.

## DC Electrical Characteristics

**Table 4A. Power Supply DC Characteristics,  $V_{DD} = 1.8V \pm 5\%$ ,  $T_A = -40^\circ C$  to  $85^\circ C$**

| Symbol   | Parameter            | Test Conditions                                   | Minimum | Typical | Maximum | Units |
|----------|----------------------|---------------------------------------------------|---------|---------|---------|-------|
| $V_{DD}$ | Power Supply Voltage |                                                   | 1.71    | 1.8     | 1.89    | V     |
| $I_{DD}$ | Power Supply Current | Q0 to Q11 terminated 100 $\Omega$ between nQx, Qx |         | 185     | 227     | mA    |

**Table 4B. LVCMOS/LVTTL DC Characteristics,  $V_{DD} = 1.8V \pm 5\%$ ,  $T_A = -40^\circ C$  to  $85^\circ C$**

| Symbol   | Parameter          | Test Conditions                      | Minimum         | Typical | Maximum         | Units   |
|----------|--------------------|--------------------------------------|-----------------|---------|-----------------|---------|
| $V_{IH}$ | Input High Voltage |                                      | $0.65 * V_{DD}$ |         | $V_{DD} + 0.3$  | V       |
| $V_{IL}$ | Input Low Voltage  |                                      | -0.3            |         | $0.35 * V_{DD}$ | V       |
| $I_{IH}$ | Input High Current | SEL<br>$V_{DD} = V_{IN} = 1.89V$     |                 |         | 150             | $\mu A$ |
| $I_{IL}$ | Input Low Current  | SEL<br>$V_{DD} = 1.89V, V_{IN} = 0V$ | -10             |         |                 | $\mu A$ |

**Table 4C. Differential Inputs Characteristics,  $V_{DD} = 1.8V \pm 5\%$ ,  $T_A = -40^\circ\text{C}$  to  $85^\circ\text{C}$** 

| Symbol    | Parameter                                            | Test Conditions                            | Minimum | Typical | Maximum               | Units         |
|-----------|------------------------------------------------------|--------------------------------------------|---------|---------|-----------------------|---------------|
| $I_{IH}$  | Input High Current<br>CLK0, CLK1,<br>nCLK0, nCLK1    | $V_{IN} = V_{DD} = 1.89V$                  |         |         | 150                   | $\mu\text{A}$ |
| $I_{IL}$  | Input Low Current<br>CLK0, CLK1<br>nCLK0, nCLK1      | $V_{IN} = 0V, V_{DD} = 1.89V$              | -10     |         |                       | $\mu\text{A}$ |
|           |                                                      | $V_{IN} = 0V, V_{DD} = 1.89V$              | -150    |         |                       | $\mu\text{A}$ |
| $V_{REF}$ | Reference Voltage for Input Bias <sup>Note 1.</sup>  | $I_{REF} = +100\mu\text{A}, V_{DD} = 1.8V$ | 0.9     |         | 1.30                  | V             |
| $V_{PP}$  | Peak-to-Peak Voltage <sup>Note3.</sup>               | $V_{DD} = 1.89V$                           | 0.2     |         | 1.0                   | V             |
| $V_{CMR}$ | Common Mode Input Voltage <sup>Note 2. Note 3.</sup> |                                            | 0.9     |         | $V_{DD} - (V_{PP}/2)$ | V             |

- $V_{REF}$  specification is applicable to the AC-coupled input interfaces shown in *Figures 2B and 2C*.
- Common mode input voltage is defined as crosspoint voltage.
- $V_{IL}$  should not be less than  $-0.3V$  and  $V_{IH}$  should not be higher than  $V_{DD}$ .

**Table 4D. LVDS DC Characteristics,  $V_{DD} = 1.8V \pm 5\%$ ,  $T_A = -40^\circ\text{C}$  to  $85^\circ\text{C}$  <sup>Note 1.</sup>**

| Symbol          | Parameter                   | Test Conditions                 | Minimum | Typical | Maximum | Units |
|-----------------|-----------------------------|---------------------------------|---------|---------|---------|-------|
| $V_{OD}$        | Differential Output Voltage | outputs loaded with $100\Omega$ | 247     |         | 454     | mV    |
| $\Delta V_{OD}$ | $V_{OD}$ Magnitude Change   |                                 |         |         | 50      | mV    |
| $V_{OS}$        | Offset Voltage              |                                 | 1.00    |         | 1.40    | V     |
| $\Delta V_{OS}$ | $V_{OS}$ Magnitude Change   |                                 |         |         | 50      | mV    |

- Output drive current must be sufficient to drive up to 30cm of PCB trace (assume nominal  $50\Omega$  impedance).

## AC Electrical Characteristics

**Table 5. AC Electrical Characteristics,  $V_{DD} = 1.8V \pm 5\%$ ,  $T_A = -40^\circ C$  to  $85^\circ C$  <sup>Note 1.</sup>**

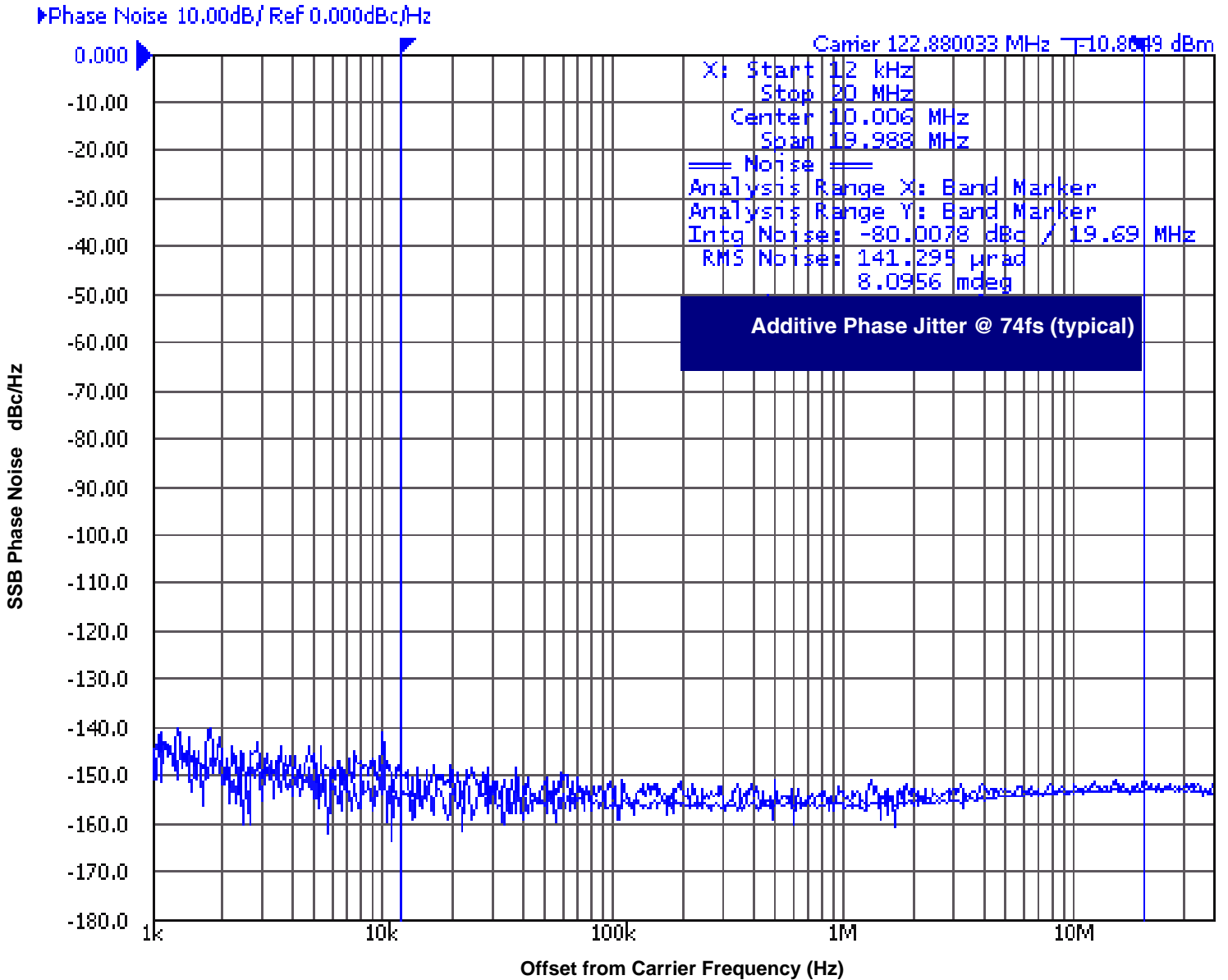
| Symbol              | Parameter                                                                 | Test Conditions                                                                          | Minimum | Typical | Maximum | Units |
|---------------------|---------------------------------------------------------------------------|------------------------------------------------------------------------------------------|---------|---------|---------|-------|
| $f_{REF}$           | Input Frequency<br>CLK[0:1],<br>nCLK[0:1]                                 |                                                                                          |         |         | 1.2     | GHz   |
| $\Delta V/\Delta t$ | Input Edge Rate<br>CLK[0:1],<br>nCLK[0:1]                                 |                                                                                          | 1.5     |         |         | V/ns  |
| $t_{PD}$            | Propagation Delay <sup>Note 2.</sup><br>Note 3.                           | CLK[0:1]; nCLK[0:1] to any Qx, nQx                                                       | 200     | 340     | 450     | ps    |
| $t_{sk(o)}$         | Output Skew <sup>Note 4. Note 5.</sup>                                    |                                                                                          |         | 10      | 45      | ps    |
| $t_{sk(i)}$         | Input Skew <sup>Note 5.</sup>                                             |                                                                                          |         | 5       | 45      | ps    |
| $t_{sk(p)}$         | Pulse Skew                                                                | $f_{REF} = 100MHz$                                                                       |         | 3       | 20      | ps    |
| $t_{sk(pp)}$        | Part-to-Part Skew <sup>Note 6.</sup>                                      |                                                                                          |         |         | 250     | ps    |
| $t_{JIT}$           | Buffer Additive Phase Jitter, RMS; refer to Additive Phase Jitter Section | $f_{REF} = 122.88MHz$ Square Wave, $V_{PP} = 1V$ ,<br>Integration Range: 1kHz – 40MHz    |         | 89      | 200     | fs    |
|                     |                                                                           | $f_{REF} = 122.88MHz$ Square Wave, $V_{PP} = 1V$ ,<br>Integration Range: 10kHz – 20MHz   |         | 74      | 150     | fs    |
|                     |                                                                           | $f_{REF} = 122.88MHz$ Square Wave, $V_{PP} = 1V$ ,<br>Integration Range: 12kHz – 20MHz   |         | 74      | 150     | fs    |
|                     |                                                                           | $f_{REF} = 156.25MHz$ Square Wave, $V_{PP} = 1V$ ,<br>Integration Range: 1kHz – 40MHz    |         | 58      | 81      | fs    |
|                     |                                                                           | $f_{REF} = 156.25MHz$ Square Wave, $V_{PP} = 1V$ ,<br>Integration Range: 10kHz – 20MHz   |         | 41      | 60      | fs    |
|                     |                                                                           | $f_{REF} = 156.25MHz$ Square Wave, $V_{PP} = 1V$ ,<br>Integration Range: 12kHz – 20MHz   |         | 41      | 60      | fs    |
|                     |                                                                           | $f_{REF} = 156.25MHz$ Square Wave, $V_{PP} = 0.5V$ ,<br>Integration Range: 1kHz – 40MHz  |         | 85      | 123     | fs    |
|                     |                                                                           | $f_{REF} = 156.25MHz$ Square Wave, $V_{PP} = 0.5V$ ,<br>Integration Range: 10kHz – 20MHz |         | 61      | 87      | fs    |
|                     |                                                                           | $f_{REF} = 156.25MHz$ Square Wave, $V_{PP} = 0.5V$ ,<br>Integration Range: 12kHz – 20MHz |         | 61      | 87      | fs    |
| $t_R / t_F$         | Output Rise/ Fall Time                                                    | 10% to 90%,<br>outputs loaded with 100 $\Omega$                                          |         | 225     | 400     | ps    |
|                     |                                                                           | 20% to 80%,<br>outputs loaded with 100 $\Omega$                                          |         | 110     | 260     | ps    |
| $MUX_{ISOLATION}$   | Mux Isolation <sup>Note 7.</sup>                                          | $f_{REF} = 100MHz$                                                                       |         | 72.6    |         | dB    |

- Electrical parameters are guaranteed over the specified ambient operating temperature range, which is established when the device is mounted in a test socket with maintained transverse airflow greater than 500 lpm. The device will meet specifications after thermal equilibrium has been reached under these conditions.
- Measured from the differential input crossing point to the differential output crossing point
- Input  $V_{PP} = 400mV$
- Defined as skew between outputs at the same supply voltage and with equal load conditions. Measured at the differential cross points.
- This parameter is defined in accordance with JEDEC Standard 65.
- Defined as skew between outputs on different devices operating at the same supply voltage, same frequency, same temperature and with equal load conditions. Using the same type of inputs on each device, the outputs are measured at the differential cross points.
- Qx, nQx outputs measured differentially. See *MUX Isolation diagram* in the *Parameter Measurement Information section*.

## Additive Phase Jitter

The spectral purity in a band at a specific offset from the fundamental compared to the power of the fundamental is called the **dBc Phase Noise**. This value is normally expressed using a Phase noise plot and is most often the specified plot in many applications. Phase noise is defined as the ratio of the noise power present in a 1Hz band at a specified offset from the fundamental frequency to the power value of the fundamental. This ratio is expressed in decibels (dBm) or a ratio

of the power in the 1Hz band to the power in the fundamental. When the required offset is specified, the phase noise is called a **dBc** value, which simply means dBm at a specified offset from the fundamental. By investigating jitter in the frequency domain, we get a better understanding of its effects on the desired application over the entire time record of the signal. It is mathematically possible to calculate an expected bit error rate given a phase noise plot.



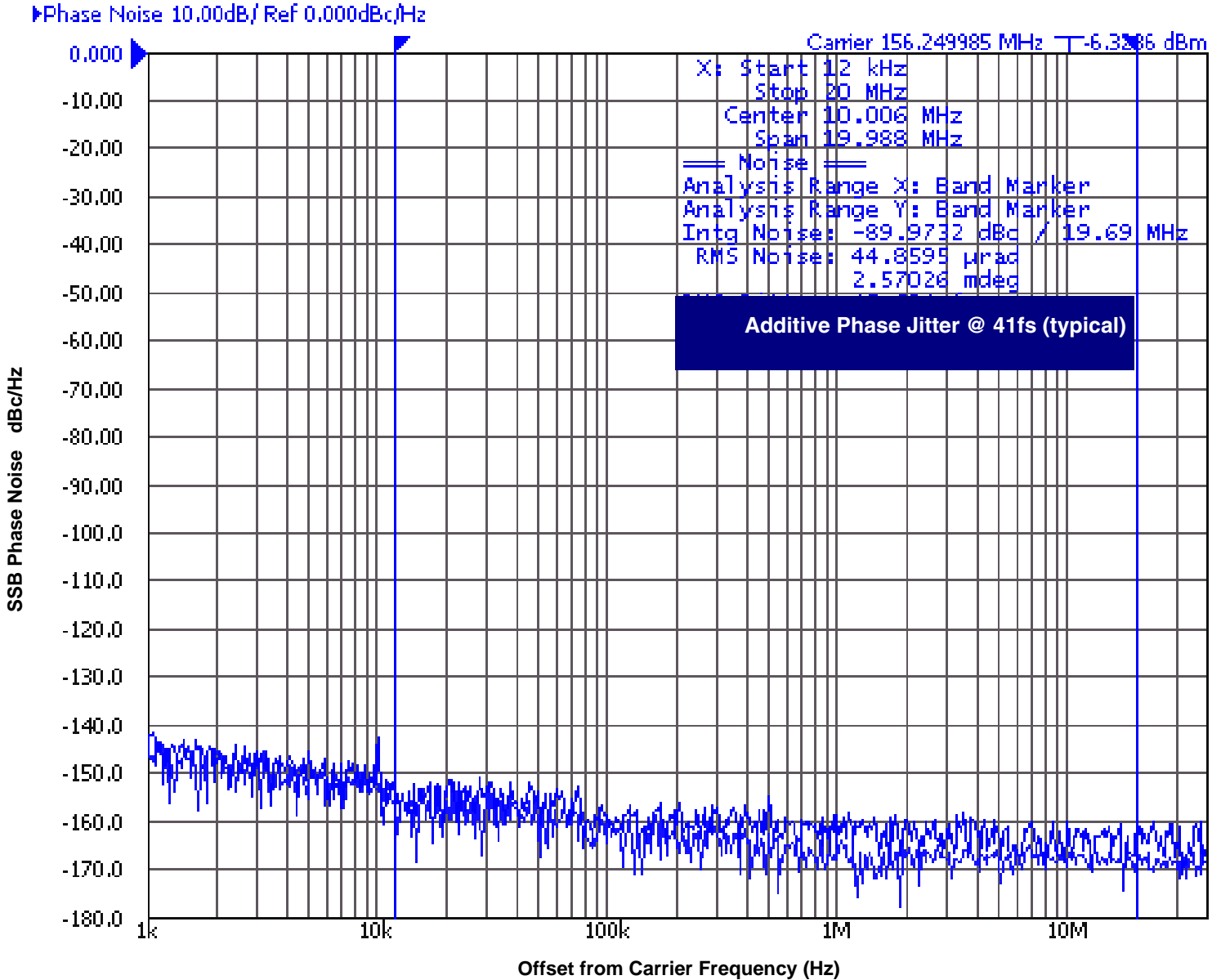
As with most timing specifications, phase noise measurements have issues relating to the limitations of the measurement equipment. The noise floor of the equipment can be higher or lower than the noise floor of the device. Additive phase noise is dependent on both the noise floor of the input source and measurement equipment.

Measured using a Wenzel Oscillator as the input source.

## Additive Phase Jitter

The spectral purity in a band at a specific offset from the fundamental compared to the power of the fundamental is called the **dBc Phase Noise**. This value is normally expressed using a Phase noise plot and is most often the specified plot in many applications. Phase noise is defined as the ratio of the noise power present in a 1Hz band at a specified offset from the fundamental frequency to the power value of the fundamental. This ratio is expressed in decibels (dBm) or a ratio

of the power in the 1Hz band to the power in the fundamental. When the required offset is specified, the phase noise is called a **dBc** value, which simply means dBm at a specified offset from the fundamental. By investigating jitter in the frequency domain, we get a better understanding of its effects on the desired application over the entire time record of the signal. It is mathematically possible to calculate an expected bit error rate given a phase noise plot.

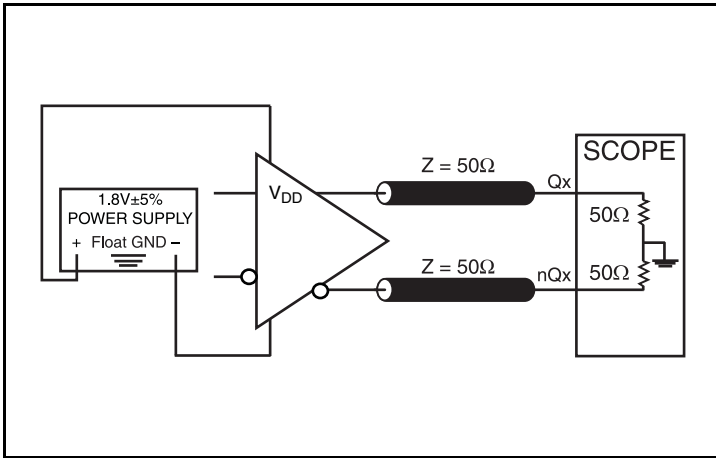


As with most timing specifications, phase noise measurements have issues relating to the limitations of the measurement equipment. The noise floor of the equipment can be higher or lower than the noise floor of the device. Additive phase noise is dependent on both the noise floor of the input source and measurement equipment.

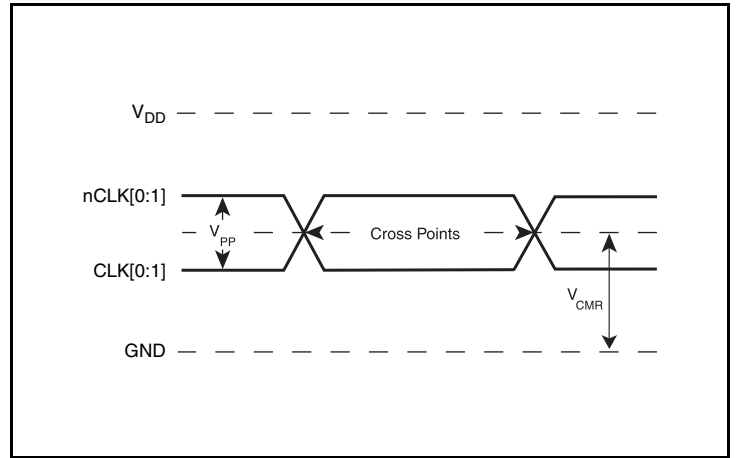
Measured using a Wenzel Oscillator as the input source.



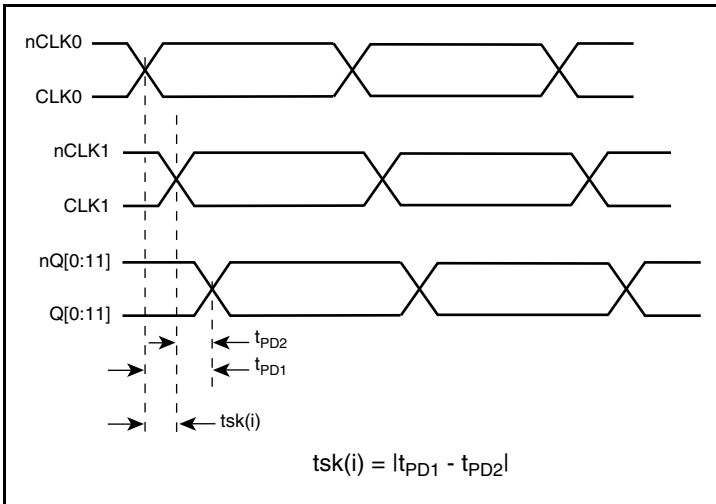
### Parameter Measurement Information



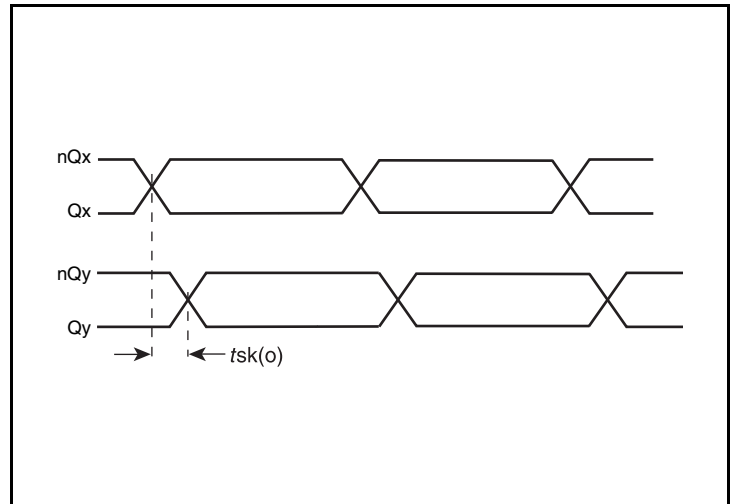
1.8V ±5% LVDS Output Load Test Circuit



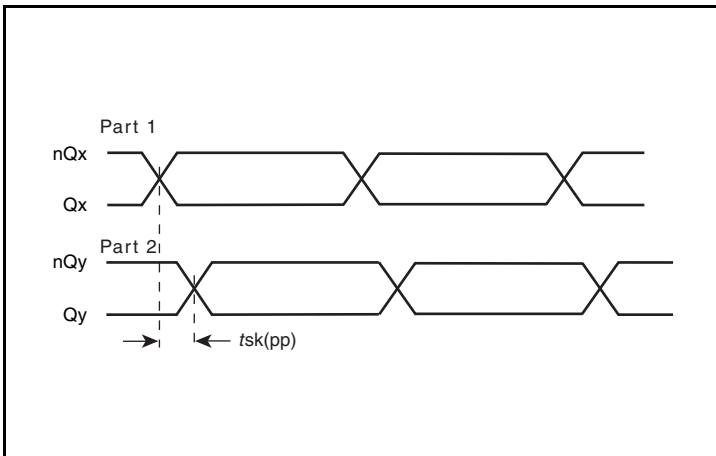
Differential Input Level



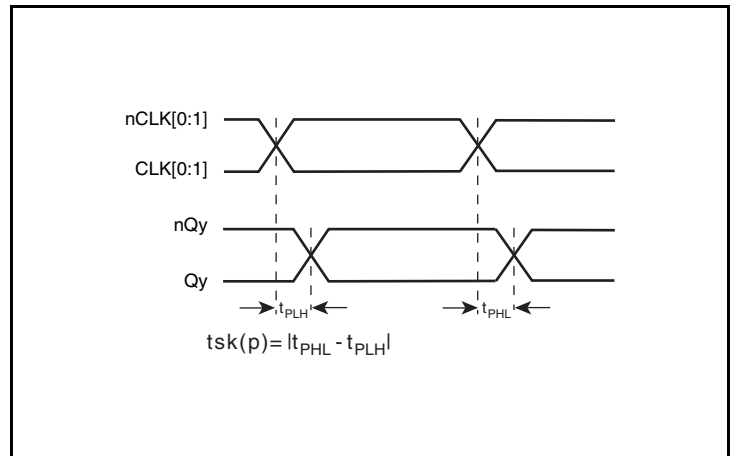
Input Skew



Output Skew

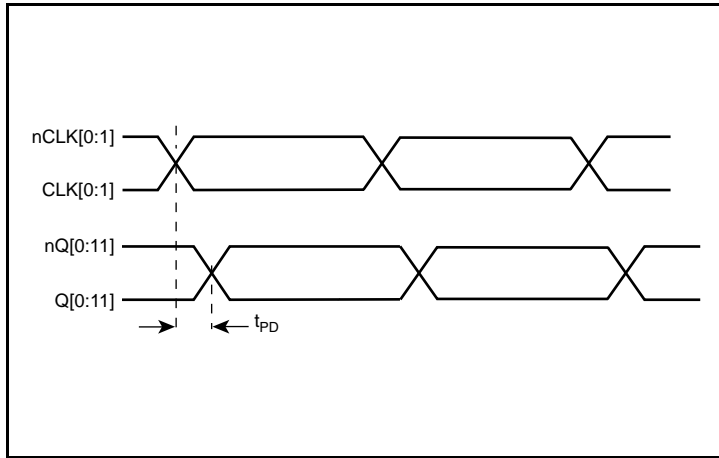


Part-to-Part Skew

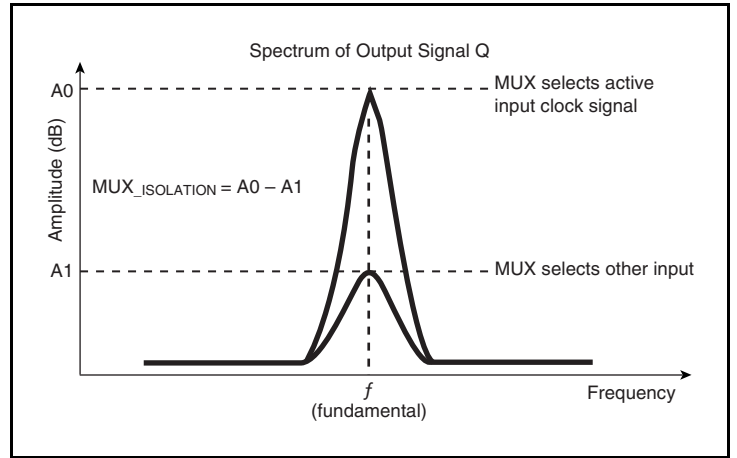


Pulse Skew

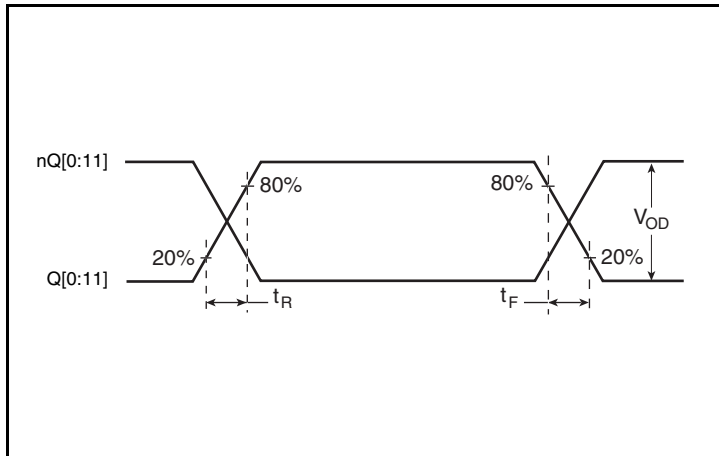
### Parameter Measurement Information, continued



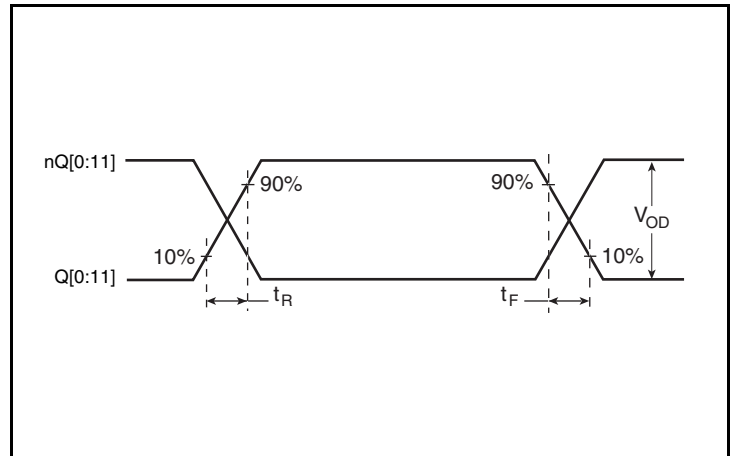
**Propagation Delay**



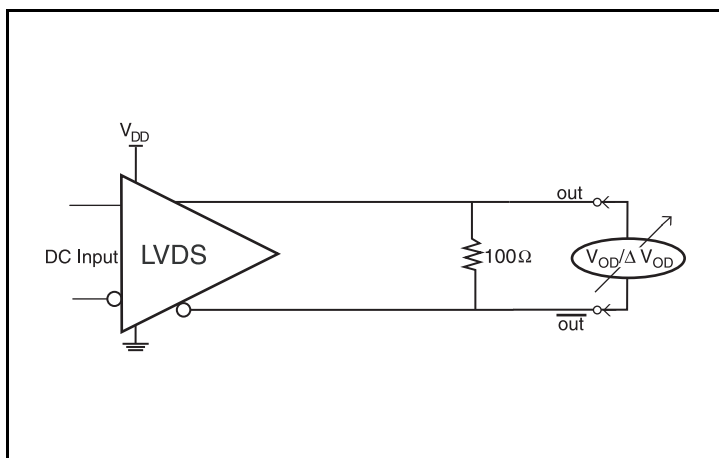
**MUX Isolation**



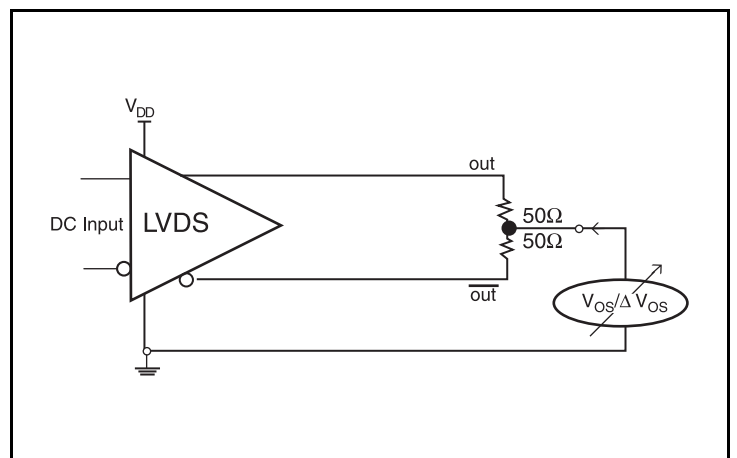
**Output Rise/Fall Time, 20% - 80%**



**Output Rise/Fall Time, 10% - 90%**



**Differential Output Voltage Setup**



**Offset Voltage Setup**

## Applications Information

### Wiring the Differential Input to Accept Single-Ended Levels

Figure 1 shows how a differential input can be wired to accept single ended levels. The reference voltage  $V_1 = V_{DD}/2$  is generated by the bias resistors R1 and R2. The bypass capacitor (C1) is used to help filter noise on the DC bias. This bias circuit should be located as close to the input pin as possible. The ratio of R1 and R2 might need to be adjusted to position the  $V_1$  in the center of the input voltage swing. For example, if the input clock swing is 1.8V and  $V_{DD} = 1.8V$ , R1 and R2 value should be adjusted to set  $V_1$  at 0.9V. The values below are for when both the single ended swing and  $V_{DD}$  are at the same voltage. This configuration requires that the sum of the output impedance of the driver ( $R_o$ ) and the series resistance ( $R_s$ ) equals the transmission line impedance. In addition, matched termination at the input will attenuate the signal in half. This can be done in one of two ways. First, R3 and R4 in parallel should equal the transmission line

impedance. For most  $50\Omega$  applications, R3 and R4 can be  $100\Omega$ . The values of the resistors can be increased to reduce the loading for slower and weaker LVCMOS driver. When using single-ended signaling, the noise rejection benefits of differential signaling are reduced. Even though the differential input can handle full rail LVCMOS signaling, it is recommended that the amplitude be reduced. The datasheet specifies a lower differential amplitude, however this only applies to differential signals. For single-ended applications, the swing can be larger, however  $V_{IL}$  cannot be less than  $-0.3V$  and  $V_{IH}$  cannot be more than  $V_{DD} + 0.3V$ . Though some of the recommended components might not be used, the pads should be placed in the layout. They can be utilized for debugging purposes. The datasheet specifications are characterized and guaranteed by using a differential signal.

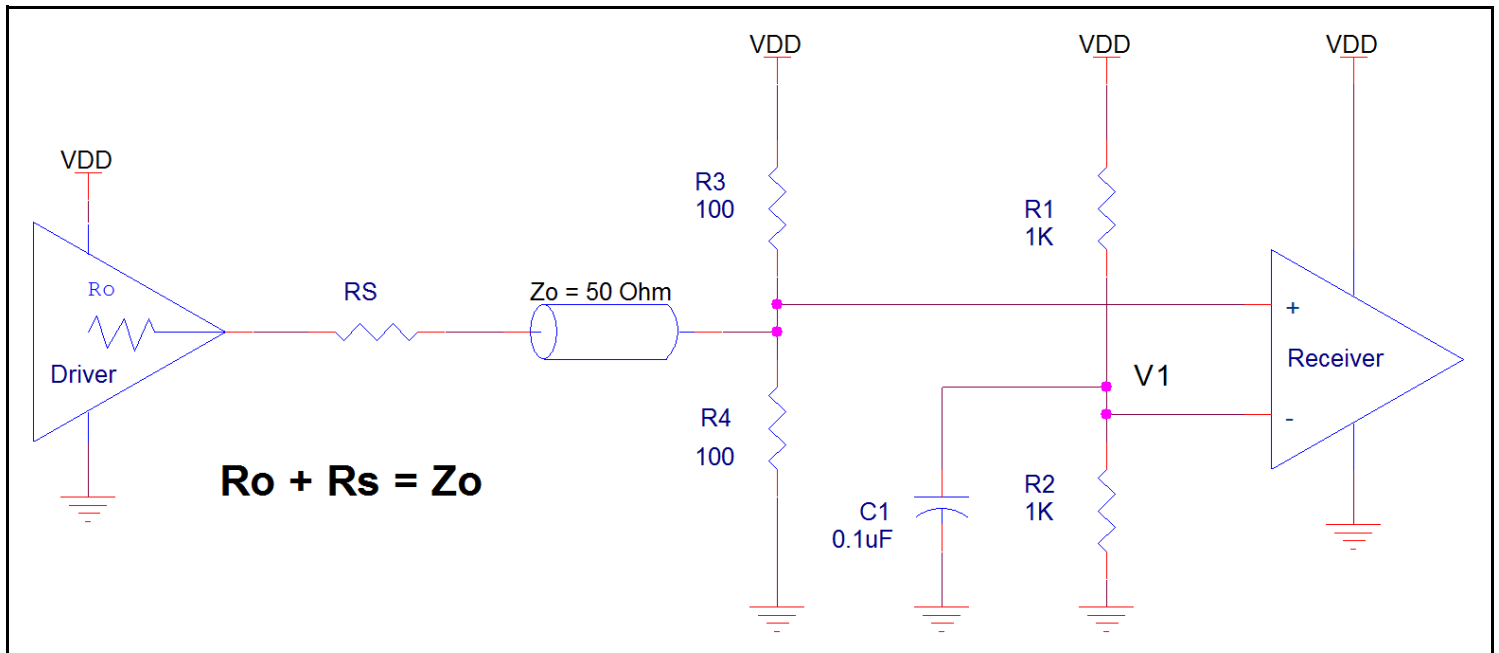


Figure 1. Recommended Schematic for Wiring a Differential Input to Accept Single-ended Levels

### Recommendations for Unused Input and Output Pins

#### Inputs:

##### CLK/nCLK Inputs

For applications not requiring the use of a differential input, both the CLK and nCLK pins can be left floating. Though not required, but for additional protection, a  $1k\Omega$  resistor can be tied from CLK to ground.

#### Outputs:

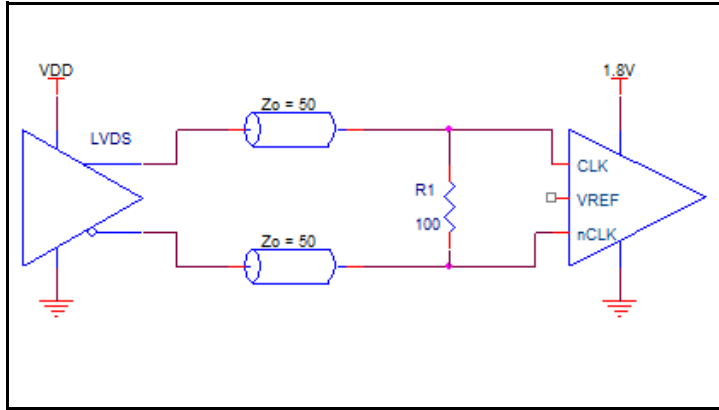
##### LVDS Outputs

Unused LVDS outputs must either have a  $100\Omega$  differential termination or have a  $100\Omega$  pull-up resistor to  $V_{DD}$  in order to ensure proper device operation.

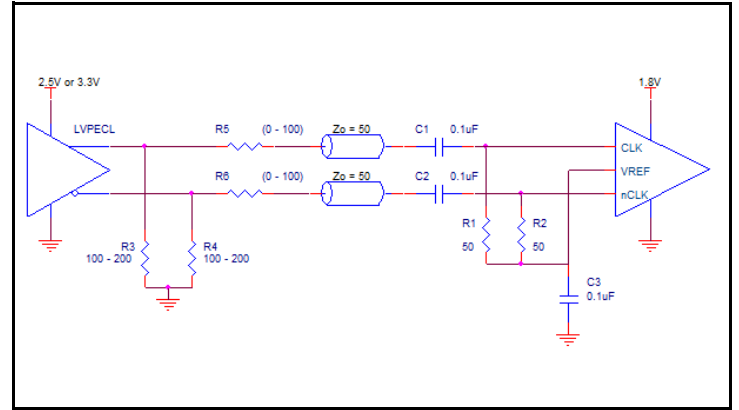
### 1.8V Differential Clock Input Interface

The CLK /nCLK accepts LVDS and other differential signals. The differential input signal must meet both the  $V_{PP}$  and  $V_{CMR}$  input requirements. *Figures 2A to 2D* show interface examples for the CLK /nCLK input driven by the most common driver types. The input

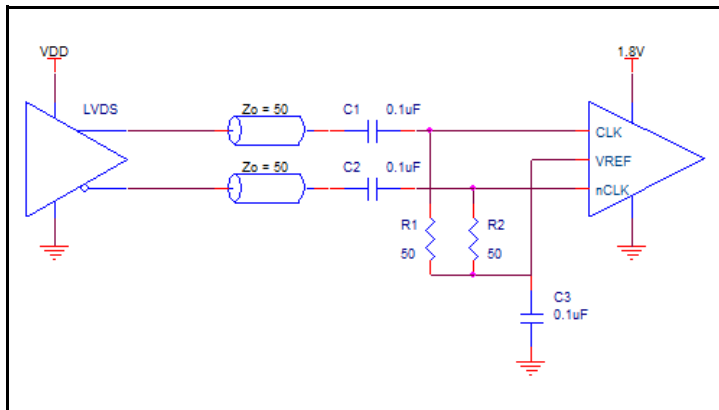
interfaces suggested here are examples only. If the driver is from another vendor, use their termination recommendation. Please consult with the vendor of the driver component to confirm the driver termination requirements.



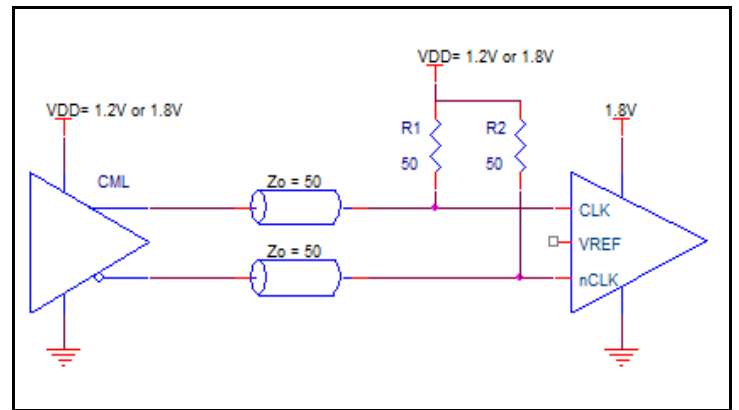
**Figure 2A. Differential Input Driven by an LVDS Driver - DC Coupling**



**Figure 2B. Differential Input Driven by an LVPECL Driver - AC Coupling**



**Figure 2C. Differential Input Driven by an LVDS Driver - AC Coupling**

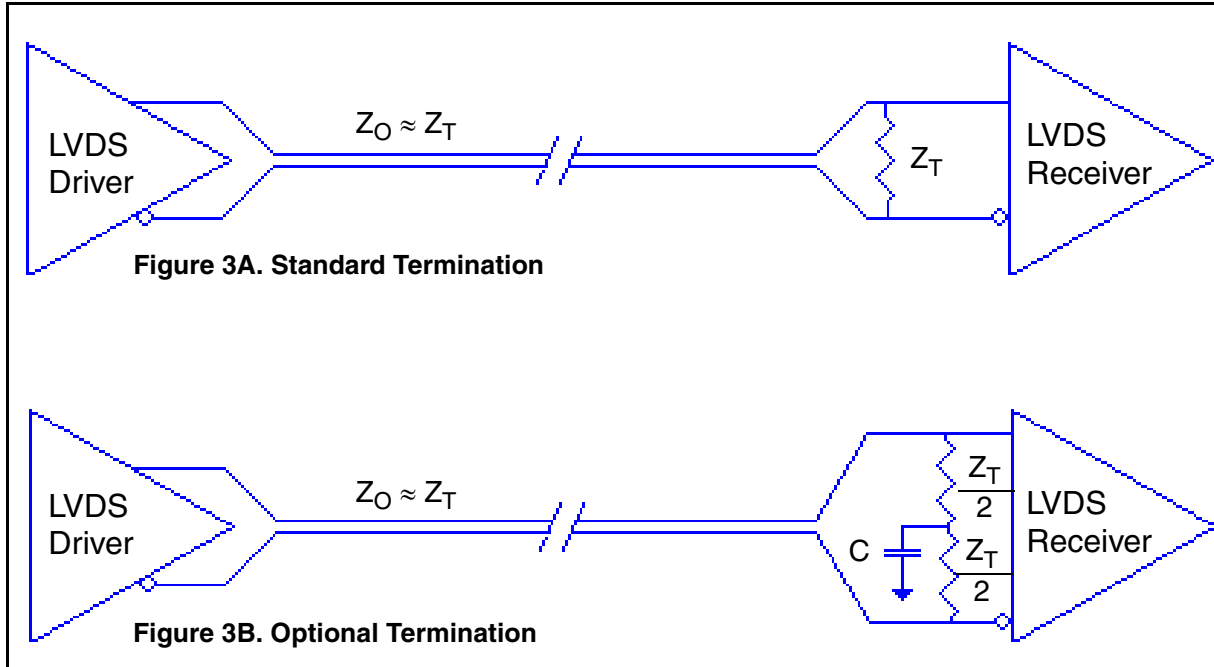


**Figure 2D. Differential Input Driven by a CML Driver**

## LVDS Driver Termination

For a general LVDS interface, the recommended value for the termination impedance ( $Z_T$ ) is between  $90\Omega$  and  $132\Omega$ . The actual value should be selected to match the differential impedance ( $Z_0$ ) of your transmission line. A typical point-to-point LVDS design uses a  $100\Omega$  parallel resistor at the receiver and a  $100\Omega$  differential transmission-line environment. In order to avoid any transmission-line reflection issues, the components should be surface mounted and must be placed as close to the receiver as possible. IDT offers a full line of LVDS compliant devices with two types of output structures: current source and voltage source. The

standard termination schematic as shown in *Figure 3A* can be used with either type of output structure. *Figure 3B*, which can also be used with both output types, is an optional termination with center tap capacitance to help filter common mode noise. The capacitor value should be approximately  $50\text{pF}$ . If using a non-standard termination, it is recommended to contact IDT and confirm if the output structure is current source or voltage source type. In addition, since these outputs are LVDS compatible, the input receiver's amplitude and common-mode input range should be verified for compatibility with the output.



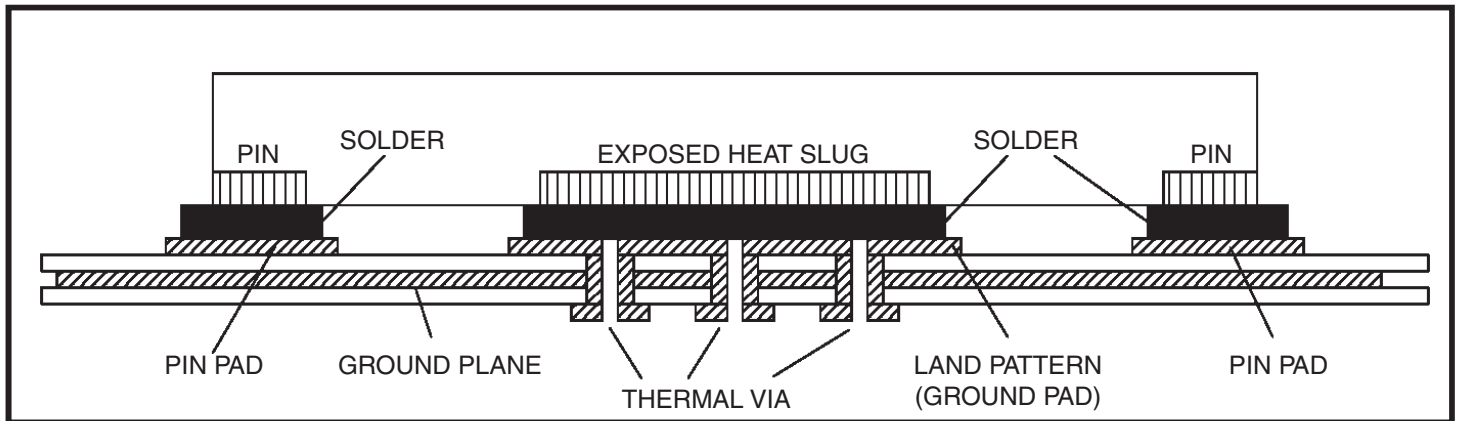
### LVDS Termination

## VFQFN EPAD Thermal Release Path

In order to maximize both the removal of heat from the package and the electrical performance, a land pattern must be incorporated on the Printed Circuit Board (PCB) within the footprint of the package corresponding to the exposed metal pad or exposed heat slug on the package, as shown in *Figure 4*. The solderable area on the PCB, as defined by the solder mask, should be at least the same size/shape as the exposed pad/slug area on the package to maximize the thermal/electrical performance. Sufficient clearance should be designed on the PCB between the outer edges of the land pattern and the inner edges of pad pattern for the leads to avoid any shorts.

While the land pattern on the PCB provides a means of heat transfer and electrical grounding from the package to the board through a solder joint, thermal vias are necessary to effectively conduct from the surface of the PCB to the ground plane(s). The land pattern must be connected to ground through these vias. The vias act as “heat pipes”. The number of vias (i.e. “heat pipes”) are application specific

and dependent upon the package power dissipation as well as electrical conductivity requirements. Thus, thermal and electrical analysis and/or testing are recommended to determine the minimum number needed. Maximum thermal and electrical performance is achieved when an array of vias is incorporated in the land pattern. It is recommended to use as many vias connected to ground as possible. It is also recommended that the via diameter should be 12 to 13mils (0.30 to 0.33mm) with 1oz copper via barrel plating. This is desirable to avoid any solder wicking inside the via during the soldering process which may result in voids in solder between the exposed pad/slug and the thermal land. Precautions should be taken to eliminate any solder voids between the exposed heat slug and the land pattern. Note: These recommendations are to be used as a guideline only. For further information, please refer to the Application Note on the Surface Mount Assembly of Amkor’s Thermally/Electrically Enhance Leadframe Base Package, Amkor Technology.



**Figure 4. P.C. Assembly for Exposed Pad Thermal Release Path – Side View (drawing not to scale)**

## Power Considerations

This section provides information on power dissipation and junction temperature for the IDT8P34S1212I. Equations and example calculations are also provided.

### 1. Power Dissipation.

The total power dissipation for the IDT8P34S1212I is the sum of the core power plus the output power dissipation into the load. The following is the power dissipation for  $V_{DD} = 1.8V + 5\% = 1.89V$ , which gives worst case results.

The maximum current at 85°C is as follows:

$$I_{DD\_MAX} = 227mA$$

$$\text{Power}_{(core)MAX} = V_{DD\_MAX} * I_{DD\_MAX} = 1.89V * 227mA = \mathbf{429.03mW}$$

$$\mathbf{\text{Total Power}_{MAX} = 429.03mW}$$

### 2. Junction Temperature.

Junction temperature,  $T_j$ , is the temperature at the junction of the bond wire and bond pad directly affects the reliability of the device. The maximum recommended junction temperature is 125°C. Limiting the internal transistor junction temperature,  $T_j$ , to 125°C ensures that the bond wire and bond pad temperature remains below 125°C.

The equation for  $T_j$  is as follows:  $T_j = \theta_{JA} * Pd\_total + T_A$

$T_j$  = Junction Temperature

$\theta_{JA}$  = Junction-to-Ambient Thermal Resistance

$Pd\_total$  = Total Device Power Dissipation (example calculation is in section 1 above)

$T_A$  = Ambient Temperature

In order to calculate junction temperature, the appropriate junction-to-ambient thermal resistance  $\theta_{JA}$  must be used. Assuming no air flow and a multi-layer board, the appropriate value is 33°C/W per Table 6 below.

Therefore,  $T_j$  for an ambient temperature of 85°C with all outputs switching is:

$$85^\circ\text{C} + 0.429W * 33^\circ\text{C/W} = 99.16^\circ\text{C}. \text{ This is below the limit of } 125^\circ\text{C}.$$

This calculation is only an example.  $T_j$  will obviously vary depending on the number of loaded outputs, supply voltage, air flow and the type of board (multi-layer).

**Table 6.  $\theta_{JA}$  vs. Air Flow Table for a 40-Lead VFQFN**

| $\theta_{JA}$ vs. Air Flow (m/s)            |          |         |          |
|---------------------------------------------|----------|---------|----------|
| Meters per Second                           | 0        | 1       | 2        |
| Multi-Layer PCB, JEDEC Standard Test Boards | 33.0°C/W | 26.3C/W | 24.0°C/W |

## Reliability Information

**Table 7.  $\theta_{JA}$  vs. Air Flow Table for a 40-Lead VFQFN**

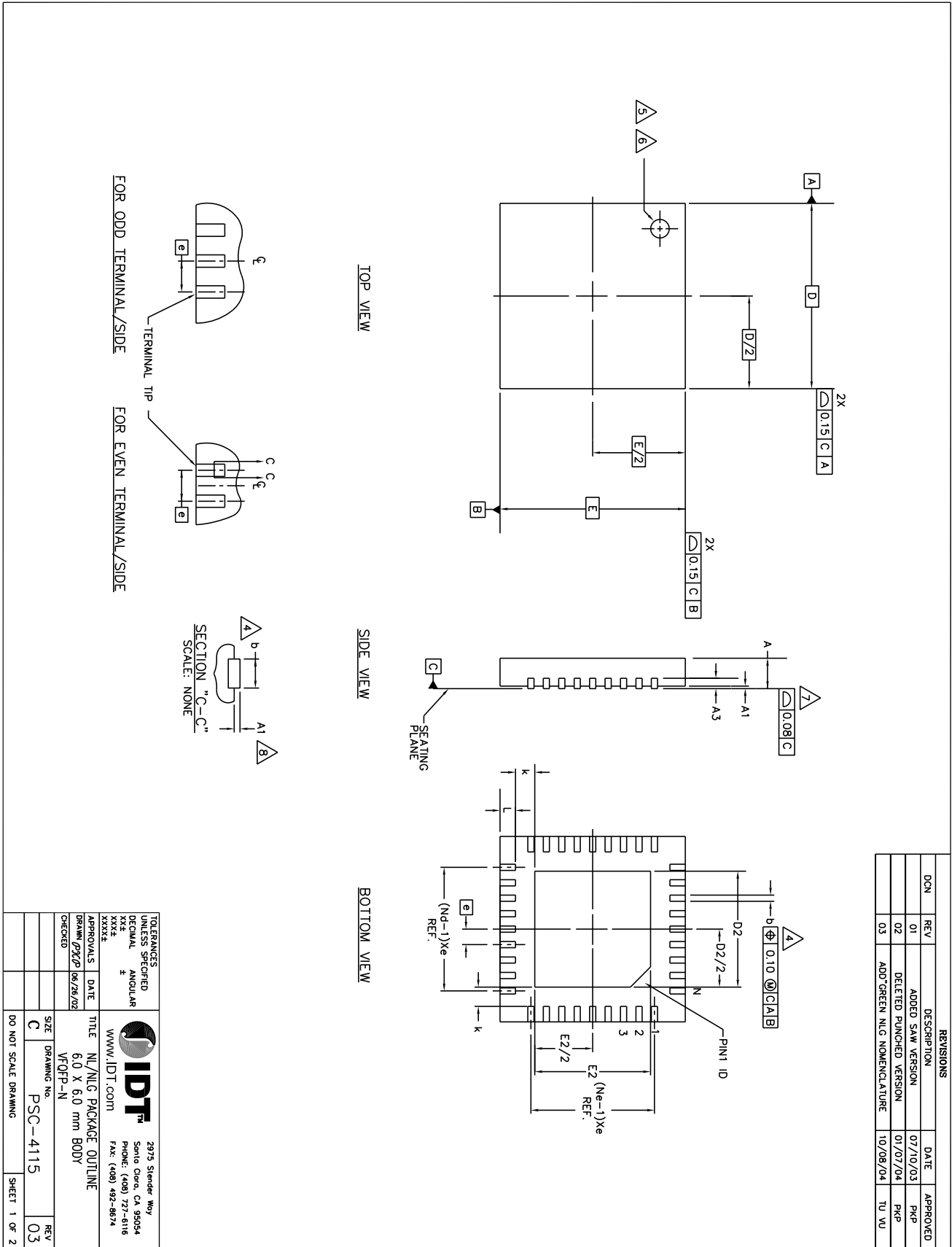
| $\theta_{JA}$ vs. Air Flow (m/s)            |          |         |          |
|---------------------------------------------|----------|---------|----------|
| Meters per Second                           | 0        | 1       | 2        |
| Multi-Layer PCB, JEDEC Standard Test Boards | 33.0°C/W | 26.3C/W | 24.0°C/W |

## Transistor Count

The transistor count for the IDT8P34S1212I is: 8438



# 40-Lead VFQFN Package Outline and Package Dimensions



# 40-Lead VFQFN Package Outline and Package Dimensions, continued

| 5<br>A<br>B<br>C<br>D<br>E<br>F<br>G<br>H<br>I<br>J<br>K<br>L | JEDEC VARIATION VJUC-3 |      |      | N <sub>01</sub><br>E | 5<br>A<br>B<br>C<br>D<br>E<br>F<br>G<br>H<br>I<br>J<br>K<br>L | JEDEC VARIATION VJUD-5 |      |      | N <sub>01</sub><br>E |
|---------------------------------------------------------------|------------------------|------|------|----------------------|---------------------------------------------------------------|------------------------|------|------|----------------------|
|                                                               | MIN.                   | NOM. | MAX. |                      |                                                               | MIN.                   | NOM. | MAX. |                      |
|                                                               | 0.65                   | BSC  |      |                      |                                                               | 0.50                   | BSC  |      |                      |
| N                                                             | 28                     |      |      | 2                    | N                                                             | 40                     |      |      | 3                    |
| Nd                                                            |                        |      |      | 2                    | Nd                                                            | 10                     |      |      | 3                    |
| Ne                                                            | 7                      |      |      | 2                    | Ne                                                            | 10                     |      |      | 3                    |
| b                                                             | 0.25                   |      | 0.35 | 4                    | b                                                             | 0.25                   |      | 0.30 | 4                    |
| D2                                                            |                        |      |      | 10                   | D2                                                            |                        |      |      | 10                   |
| E2                                                            |                        |      |      | 10                   | E2                                                            |                        |      |      | 10                   |


| 5<br>A<br>B<br>C<br>D<br>E<br>F<br>G<br>H<br>I<br>J<br>K<br>L | COMMON DIMENSIONS |           |      | N <sub>01</sub><br>E |
|---------------------------------------------------------------|-------------------|-----------|------|----------------------|
|                                                               | MIN.              | NOM.      | MAX. |                      |
| A                                                             | 0.00              | 0.90      | 1.00 | 7                    |
| A1                                                            | 0.00              | 0.02      | 0.05 | 7                    |
| A3                                                            |                   | 0.20 REF. |      |                      |
| D                                                             |                   | 6.00 BSC  |      |                      |
| E                                                             |                   | 6.00 BSC  |      |                      |
| K                                                             | 0.20              |           |      |                      |
| L                                                             | 0.35              | 0.40      | 0.45 |                      |

| REVISIONS |     |                              |          |          |
|-----------|-----|------------------------------|----------|----------|
| DCN       | REV | DESCRIPTION                  | DATE     | APPROVED |
|           | 01  | ADDED SAW VERSION            | 07/10/03 | PKP      |
|           | 02  | DELETED PUNCHED VERSION      | 01/07/04 | PKP      |
|           | 03  | ADD "GREEN" NLG NOMENCLATURE | 10/09/04 | TU YU    |

NOTES:

1. DIMENSIONING & TOLERANCING CONFORM TO ASME Y14.5M - 1994.
2. N IS THE NUMBER OF TERMINALS.
3. ALL DIMENSIONS ARE IN MILLIMETERS.
4. DIMENSION b APPLIES TO PLATED TERMINAL AND IS MEASURED BETWEEN 0.20 AND 0.30mm FROM TERMINAL TIP.
5. THE PIN #1 IDENTIFIER MUST EXIST ON THE TOP SURFACE OF THE PACKAGE BY USING INDENTATION MARK OR OTHER FEATURE OF PACKAGE BODY.
6. EXACT SHAPE AND SIZE OF THIS FEATURE IS OPTIONAL.
7. APPLIED TO EXPOSED PAD AND TERMINALS. EXCLUDE EMBEDDED PART OF EXPOSED PAD FROM MEASURING.
8. APPLIED ONLY FOR TERMINALS.
9. THIS OUTLINE CONFORMS TO JEDEC PUBLICATION 95 REGISTRATION MO-220, VARIATION VJUC-3 & VJUD-5 WITH THE EXCEPTION OF D2 & E2.
10. DIMENSIONS D2 & E2 VARY DEPENDING ON DEVICE, SUPPLIER, ETC.

**40-Lead VFQFN, D2/E2 EPAD Dimensions: 4.65mm x 4.65mm**

|                             |             |                                                                                                                                                                                         |
|-----------------------------|-------------|-----------------------------------------------------------------------------------------------------------------------------------------------------------------------------------------|
| TOLERANCES UNLESS SPECIFIED |             |  <p>2975 Steiner Way<br/>Santa Clara, CA 95054<br/>PHONE: (408) 727-6116<br/>FAX: (408) 492-9674</p> |
| DECIMAL                     | ANGULAR     |                                                                                                                                                                                         |
| XXX                         | XXX         |                                                                                                                                                                                         |
| XXXX                        | XXXX        |                                                                                                                                                                                         |
| APPROVALS                   | DATE        | TITLE                                                                                                                                                                                   |
| DRAWN <i>gxp</i>            | 06/28/02    | NL/NLG PACKAGE OUTLINE                                                                                                                                                                  |
| CHECKED                     |             | VFQFN-N                                                                                                                                                                                 |
| SIZE                        | DRAWING No. | REV                                                                                                                                                                                     |
| C                           | PSC-4115    | 03                                                                                                                                                                                      |
| DO NOT SCALE DRAWING        |             | SHEET 2 OF 2                                                                                                                                                                            |

## Ordering Information

**Table 8. Ordering Information**

| <b>Part/Order Number</b> | <b>Marking</b>   | <b>Package</b>            | <b>Shipping Packaging</b> | <b>Temperature</b> |
|--------------------------|------------------|---------------------------|---------------------------|--------------------|
| 8P34S1212NLGI            | IDT8P34S1212NLGI | "Lead-Free" 40-Lead VFQFN | Tray                      | -40°C to 85°C      |
| 8P34S1212NLGI8           | IDT8P34S1212NLGI | "Lead-Free" 40-Lead VFQFN | Tape & Reel               | -40°C to 85°C      |

## We've Got Your Timing Solution



6024 Silver Creek Valley Road  
San Jose, California 95138

**Sales**  
800-345-7015 (inside USA)  
+408-284-8200 (outside USA)  
Fax: 408-284-2775  
[www.IDT.com/go/contactIDT](http://www.IDT.com/go/contactIDT)

**Technical Support Sales**  
[netcom@idt.com](mailto:netcom@idt.com)  
+480-763-2056

DISCLAIMER Integrated Device Technology, Inc. (IDT) and its subsidiaries reserve the right to modify the products and/or specifications described herein at any time and at IDT's sole discretion. All information in this document, including descriptions of product features and performance, is subject to change without notice. Performance specifications and the operating parameters of the described products are determined in the independent state and are not guaranteed to perform the same way when installed in customer products. The information contained herein is provided without representation or warranty of any kind, whether express or implied, including, but not limited to, the suitability of IDT's products for any particular purpose, an implied warranty of merchantability, or non-infringement of the intellectual property rights of others. This document is presented only as a guide and does not convey any license under intellectual property rights of IDT or any third parties.

IDT's products are not intended for use in applications involving extreme environmental conditions or in life support systems or similar devices where the failure or malfunction of an IDT product can be reasonably expected to significantly affect the health or safety of users. Anyone using an IDT product in such a manner does so at their own risk, absent an express, written agreement by IDT.

Integrated Device Technology, IDT and the IDT logo are registered trademarks of IDT. Other trademarks and service marks used herein, including protected names, logos and designs, are the property of IDT or their respective third party owners.

Copyright 2014. All rights reserved.