

阅读申明

- 1.本站收集的数据手册和产品资料都来自互联网，版权归原作者所有。如读者和版权方有任何异议请及时告之，我们将妥善解决。
- 2.本站提供的中文数据手册是英文数据手册的中文翻译，其目的是协助用户阅读，该译文无法自动跟随原稿更新，同时也可能存在翻译上的不当。建议读者以英文原稿为参考以便获得更精准的信息。
- 3.本站提供的产品资料，来自厂商的技术支持或者使用者的心得体会等，其内容可能存在描述上的差异，建议读者做出适当判断。
- 4.如需与我们联系，请发邮件到marketing@iczoom.com，主题请标有“数据手册”字样。

Read Statement

1. The datasheets and other product information on the site are all from network reference or other public materials, and the copyright belongs to the original author and original published source. If readers and copyright owners have any objections, please contact us and we will deal with it in a timely manner.
2. The Chinese datasheets provided on the website is a Chinese translation of the English datasheets. Its purpose is for reader's learning exchange only and do not involve commercial purposes. The translation cannot be automatically updated with the original manuscript, and there may also be improper translations. Readers are advised to use the English manuscript as a reference for more accurate information.
3. All product information provided on the website refer to solutions from manufacturers' technical support or users the contents may have differences in description, and readers are advised to take the original article as the standard.
4. If you have any questions, please contact us at marketing@iczoom.com and mark the subject with "Datasheets" .

NB7L111M

2.5V/3.3V, 6.125Gb/s 2:1:10 Differential Clock/Data Driver with CML Output

Description

The NB7L111M is a low skew 2:1:10 differential clock/data driver, designed with clock/data distribution in mind. It accepts two clock/data sources into multiplexer input and reproduces ten identical CML differential outputs. This device is ideal for clock/data distribution across the backplane or a board, and redundant clock switchover applications.

The input signals can be either differential or single-ended (if the external reference voltage is provided). Differential inputs incorporate internal 50 Ω termination resistors and accept Negative ECL (NECL), Positive ECL (PECL), LVCMOS, LVTTTL, CML, or LVDS (using appropriate power supplies). The differential 16 mA CML output provides matching internal 50 Ω termination, and 400 mV output swing when externally terminated 50 Ω to V_{CC}.

The NB7L111M operates from a 2.5 V ±5% supply or a 3.3 V ±5% supply and is guaranteed over the full industrial temperature range of -40°C to +85°C. This device is packaged in a low profile 8x8 mm, QFN-52 package with 0.5 mm pitch (see package dimension on the back of the datasheet).

Application notes, models, and support documentation are available at www.onsemi.com.

Features

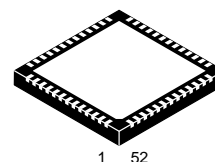
- Maximum Input Clock Frequency > 5.5 GHz Typical
- Maximum Input Data Rate > 6.125 Gb/s Typical
- < 0.5 ps Maximum Clock RMS Jitter
- < 15 ps Maximum Data Dependent Jitter at 3.125 Gb/s
- 50 ps Typical Rise and Fall Times
- 240 ps Typical Propagation Delay
- 2 ps Typical Duty Cycle Skew
- 10 ps Typical Within Device Skew
- 15 ps Typical Device-to-Device Skew
- Operating Range: V_{CC} = 2.5 V ±5 and 3.3 V ±5
- 400 mV Differential CML Output Swing
- 50 Ω Internal Input and Output Termination Resistors
- These Devices are Pb-Free and are RoHS Compliant*

*For additional information on our Pb-Free strategy and soldering details, please download the ON Semiconductor Soldering and Mounting Techniques Reference Manual, SOLDERRM/D.



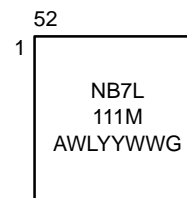
ON Semiconductor®

www.onsemi.com



QFN-52
MN SUFFIX
CASE 485M

MARKING DIAGRAM*



A = Assembly Site
WL = Wafer Lot
YY = Year
WW = Work Week
G = Pb-Free Package

*For additional marking information, refer to Application Note AND8002/D.

ORDERING INFORMATION

See detailed ordering and shipping information on page 12 of this data sheet.

NB7L111M

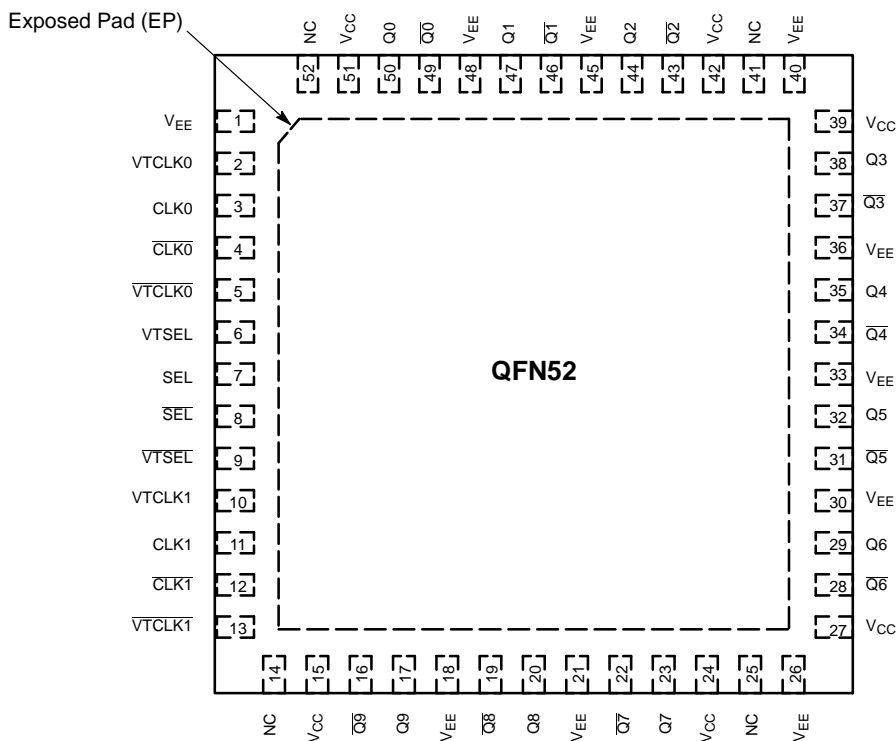


Figure 1. Pinout (Top View)

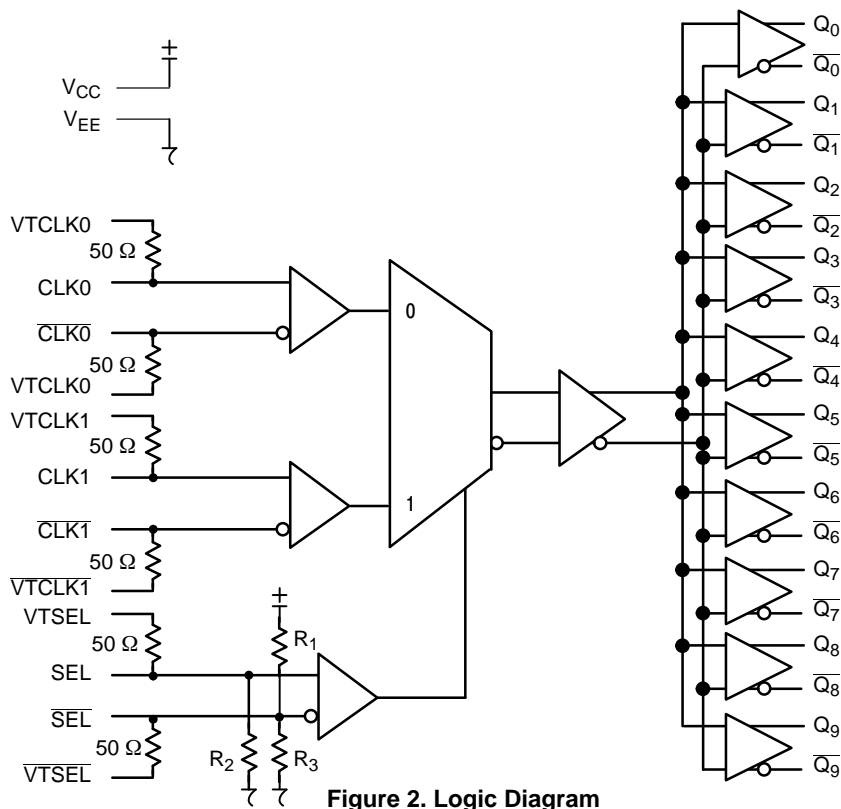


Figure 2. Logic Diagram

Table 1. FUNCTION TABLE

SEL	SEL	CLK0/CLK0	CLK1/CLK1
LOW	HIGH	ON	OFF
HIGH	LOW	OFF	ON

NB7L111M

Table 2. PIN DESCRIPTION

Pin	Name	I/O	Description
15, 24, 27, 39, 42, 51	V _{CC}	–	Positive supply voltage. All V _{CC} pins must be externally connected to power supply to guarantee proper operation.
1, 18, 21, 26, 30, 33, 36, 40, 45, 48	V _{EE}	–	Negative supply voltage. All V _{EE} pins must be externally connected to power supply to guarantee proper operation.
2	VTCLK0	–	Internal 50 Ω termination pin for CLK0. (Note 2)
3	CLK0	LVPECL, CML, LVC MOS, LV TTL, LVDS Input	Non-inverted differential clock/data input 0 (Note 2).
4	$\overline{\text{CLK}}0$	LVPECL, CML, LVC MOS, LV TTL, LVDS Input	Inverted differential clock/data input 0 (Note 2).
5	$\overline{\text{VTCLK}}0$	–	Internal 50 Ω termination pin for $\overline{\text{CLK}}0$. (Note 2)
6	VTSEL	–	Internal 50 Ω termination pin for SEL. (Note 2)
7	SEL	LVPECL, CML, LVC MOS, LV TTL, LVDS Input	Non-inverted differential clock/data select input. Internal 75 kΩ to V _{EE} .
8	$\overline{\text{SEL}}$	LVPECL, CML, LVC MOS, LV TTL, LVDS Input	Inverted differential clock/data select input. Internal 56 kΩ to V _{CC} and 56 kΩ to V _{EE} bias this pin to (V _{CC} –V _{EE})/2.
9	$\overline{\text{VTSEL}}$	LVPECL, CML, LVC MOS, LV TTL, LVDS Input	Internal 50 Ω termination pin for $\overline{\text{SEL}}$. (Note 2)
10	VTCLK1	–	Internal 50 Ω termination pin for CLK1. (Note 2)
11	CLK1	LVPECL, CML, LVC MOS, LV TTL, LVDS Input	Non-inverted differential clock/data input 1 (Note 2).
12	$\overline{\text{CLK}}1$	LVPECL, CML, LVC MOS, LV TTL, LVDS Input	Inverted differential clock/data input 1 (Note 2).
13	$\overline{\text{VTCLK}}1$	–	Internal 50 Ω termination pin for $\overline{\text{CLK}}1$. (Note 2)
14, 25, 41, 52	NC	–	
17, 20, 23, 29, 32, 35, 38, 44, 47, 50	Q[0–9]	CML Outputs	Non-inverted CML outputs [0–9] with internal 50 Ω source termination resistor (Note 1).
16, 19, 22, 28, 31, 34, 37, 43, 46, 49	$\overline{\text{Q}}[0–9]$	CML Outputs	Inverted CML outputs [0–9] with internal 50 Ω source termination resistor (Note 1).
EP	–	–	Exposed Pad (EP). The thermally exposed pad on package bottom (see case drawing) must be attached to a heat-sinking conduit on the printed circuit board.

1. CML output requires 50 Ω receiver termination resistor to V_{CC} for proper operation.
2. In the differential configuration when the input termination pin (VTCLK, $\overline{\text{VTCLK}}$) are connected to a common termination voltage or left open, and if no signal is applied on CLK and $\overline{\text{CLK}}$ then the device will be susceptible to self-oscillation.

NB7L111M

Table 3. ATTRIBUTES

Characteristics		Value	
Input Default State Resistors	R1, R3 R2	56 k Ω 75 k Ω	
ESD Protection	Human Body Model Machine Model	> 1400 V > 80 V	
Moisture Sensitivity (Note 3)		Pb Pkg	Pb-Free Pkg
	QFN-52	Level 2	Level 1
Flammability Rating	Oxygen Index: 28 to 34	UL 94 V-0 @ 0.125 in	
Transistor Count		339	
Meets or exceeds JEDEC Spec EIA/JESD78 IC Latchup Test			

3. For additional information, see Application Note AND8003/D.

Table 4. MAXIMUM RATINGS (Note 4)

Symbol	Parameter	Condition 1	Condition 2	Rating	Unit
V _{CC}	Positive Power Supply	V _{EE} = 0 V		3.6	V
V _I	Input Voltage	V _{EE} = 0 V	V _{EE} ≤ V _I ≤ V _{CC}	3.6	V
V _{INPP}	Differential Input Voltage CLK - $\overline{\text{CLK}}$	V _{CC} - V _{EE} ≥ 2.8 V V _{CC} - V _{EE} < 2.8 V		2.8 V _{CC} - V _{EE}	V V
I _{in}	Input Current Through R _T (50 Ω Resistor)	Continuous Surge		25 50	mA mA
I _{out}	Output Current	Continuous Surge		25 50	mA mA
T _A	Operating Temperature Range	QFN52		-40 to +85	°C
T _{stg}	Storage Temperature Range			-65 to +150	°C
θ_{JA}	Thermal Resistance (Junction-to-Ambient) (Note 5)	0 lfpm 500 lfpm	QFN52	25 19.6	°C/W °C/W
θ_{JC}	Thermal Resistance (Junction-to-Case)	1S2P (Note 8)	QFN52	21	°C/W
T _{sol}	Wave Solder	Pb Pb-Free		265 265	°C

Stresses exceeding those listed in the Maximum Ratings table may damage the device. If any of these limits are exceeded, device functionality should not be assumed, damage may occur and reliability may be affected.

4. Maximum Ratings are those values beyond which device damage may occur.

5. JEDEC standard multilayer board - 1S2P (1 signal, 2 power).

NB7L111M

Table 5. DC CHARACTERISTICS $V_{CC} = 2.375\text{ V}$ 2.625 V and 3.135 V to 3.465 V , $V_{EE} = 0\text{ V}$, $T_A = -40^\circ\text{C}$ to $+85^\circ\text{C}$ (Notes 6 and 7)

Symbol	Characteristic	Min	Typ	Max	Unit
I_{CC}	Power Supply Current (Inputs and Outputs Open) $V_{CC} = 2.375\text{ V}$ to 2.625 V $V_{CC} = 3.135\text{ V}$ to 3.465 V	255 270	290 305	325 340	mA
V_{OH}	Output HIGH Voltage (Notes 6 and 7)	$V_{CC} - 40$	$V_{CC} - 20$	V_{CC}	mV
V_{OL}	Output LOW Voltage (Notes 6 and 7) $V_{CC} = 2.375\text{ V}$ to 2.625 V $V_{CC} = 3.135\text{ V}$ to 3.465 V	$V_{CC} - 440$ $V_{CC} - 490$	$V_{CC} - 350$ $V_{CC} - 400$	$V_{CC} - 290$ $V_{CC} - 340$	mV

DIFFERENTIAL INPUT DRIVEN SINGLE-ENDED (See Figures 13 and 15)

V_{th}	Input Threshold Reference Voltage Range (Note 8)	1125		$V_{CC} - 75$	mV
V_{IH}	Single-ended Input HIGH Voltage (Note 7)	$V_{th} + 75$		V_{CC}	mV
V_{IL}	Single-ended Input LOW Voltage (Note 7)	V_{EE}		$V_{CC} - 150$	mV

DIFFERENTIAL INPUTS DRIVEN DIFFERENTIALLY (See Figures 14 and 16)

V_{IHD}	Differential Input HIGH Voltage	1200		V_{CC}	mV
V_{ILD}	Differential Input LOW Voltage	V_{EE}		$V_{CC} - 75$	mV
V_{CMR}	Input Common Mode Range (Differential Configuration) (Note 9)	1163		$V_{CC} - 37$	mV
V_{ID}	Differential Input Voltage ($V_{IHD} - V_{ILD}$)	75		2500	mV
I_{IH}	Input HIGH Current (Termination Pins Open) CLK[0-1]/CLK[0-1] SEL/SEL	-100 -150	5	100 150	μA
I_{IL}	Input LOW Current (Termination Pins Open) CLK[0-1]/CLK[0-1] SEL/SEL	-100 -150	5	100 150	μA
R_{TIN}	Internal Input Termination Resistor	45	50	55	Ω
R_{TOUT}	Internal Output Termination Resistor	45	50	55	Ω
R_{Temp} Coef	Internal I/O Termination Resistor Temperature Coefficient		-3.75		$\text{m}\Omega/\text{C}$

Product parametric performance is indicated in the Electrical Characteristics for the listed test conditions, unless otherwise noted. Product performance may not be indicated by the Electrical Characteristics if operated under different conditions.

NOTE: Device will meet the specifications after thermal equilibrium has been established when mounted in a test socket or printed circuit board with maintained transverse airflow greater than 500 lfm.

6. CML outputs require $50\ \Omega$ receiver termination resistors to V_{CC} for proper operation.
7. Input and output parameters vary 1:1 with V_{CC} .
8. V_{th} is applied to the complementary input when operating in single-ended mode.
9. $V_{CMR}(\text{MIN})$ varies 1:1 with V_{EE} , $V_{CMR}(\text{MAX})$ varies 1:1 with V_{CC} .

NB7L111M

Table 6. AC CHARACTERISTICS $V_{CC} = 2.375\text{ V to }2.625\text{ V}$ and $3.135\text{ V to }3.465\text{ V}$, $V_{EE} = 0\text{ V}$; (Note 10)

Symbol	Characteristic	-40°C			25°C			85°C			Unit
		Min	Typ	Max	Min	Typ	Max	Min	Typ	Max	
V_{OUTPP}	Output Voltage Amplitude (@ $V_{inppmin}$) (See Figures 3, 4, 5, and 6) $V_{CC} = 2.375\text{ V to }2.625\text{ V}$ $f_{in} \leq 3\text{ GHz}$ $f_{in} \leq 5.5\text{ GHz}$ $V_{CC} = 3.135\text{ V to }3.465\text{ V}$ $f_{in} \leq 3\text{ GHz}$ $f_{in} \leq 5.5\text{ GHz}$										mV
f_{DATA}	Maximum Operating Data Rate	5	6		5	6		5	6		Gb/s
t_{PLH} , t_{PHL}	Differential Input-to-Output Propagation Delay @ 1 GHz (See Figures 7 and 11) CLK-Q SEL-Q	200 290	240 340	280 390	200 290	240 340	280 390	200 290	240 340	280 390	ps
t_{SKEW}	Duty Cycle Skew (Note 11) Within Device Skew Device-to-Device Skew (Note 15)		2 10 15	15 20 80		2 10 15	15 20 80		2 10 15	15 20 80	ps
t_{JITTER}	RMS Random Clock Jitter (Note 13) $f_{in} = 3\text{ GHz}$ $f_{in} = 5.5\text{ GHz}$ Peak-to-Peak Data Dependent Jitter (Note 14) $f_{DATA} = 3.125\text{ Gb/s}$ $f_{DATA} = 5\text{ Gb/s}$ $f_{DATA} = 6.125\text{ Gb/s}$		0.2 0.2	0.5 0.5		0.2 0.2	0.5 0.5		0.2 0.2	0.5 0.5	ps
V_{INPP}	Input Voltage Swing/Sensitivity (Differential Configuration) (Note 12 and Figures 3, 4, 5, and 6)	75	400	2500	75	400	2500	75	400	2500	mV
t_r , t_f	Output Rise/Fall Times @ 1 GHz (20% – 80%)		50	75		50	75		50	75	ps

Product parametric performance is indicated in the Electrical Characteristics for the listed test conditions, unless otherwise noted. Product performance may not be indicated by the Electrical Characteristics if operated under different conditions.

NOTE: Device will meet the specifications after thermal equilibrium has been established when mounted in a test socket or printed circuit board with maintained transverse airflow greater than 500 lfpm.

10. Measured by forcing $V_{INPP(MIN)}$ from a 50% duty cycle clock source. All loading with an external $R_L = 50\ \Omega$ to V_{CC} . Input edge rates 40 ps (20% – 80%).

11. Duty cycle skew is measured between differential outputs using the deviations of the sum of T_{pw-} and T_{pw+} @ 1 GHz.

12. $V_{INPP(MAX)}$ cannot exceed $V_{CC} - V_{EE}$. Input voltage swing is a single-ended measurement operating in differential mode.

13. Additive RMS jitter with 50% duty cycle clock signal.

14. Additive peak-to-peak data dependent jitter with input NRZ data at PRBS $2^{23}-1$.

15. Device-to-device skew is measured between outputs under identical transition and conditions @ 1 GHz.

NB7L111M

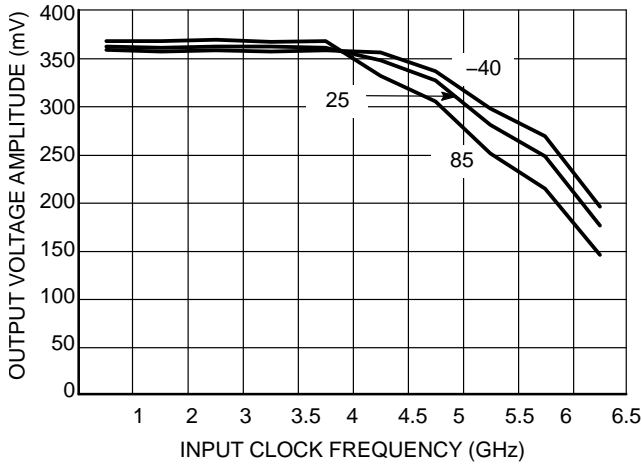


Figure 3. Output Voltage Amplitude vs. Input Clock Frequency and Temperature
($V_{inpp} = 400 \text{ mV}$; $V_{CC} = 3.3 \text{ V}$)

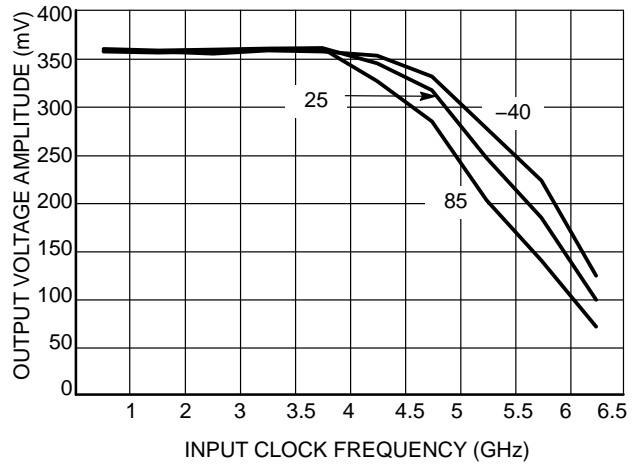


Figure 4. Output Voltage Amplitude vs. Input Clock Frequency and Temperature
($V_{inpp} = 75 \text{ mV}$; $V_{CC} = 3.3 \text{ V}$)

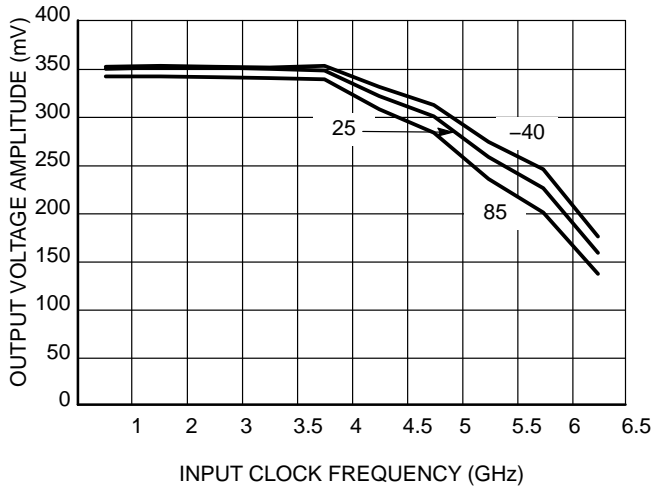


Figure 5. Output Voltage Amplitude vs. Input Clock Frequency and Temperature
($V_{inpp} = 400 \text{ mV}$; $V_{CC} = 2.5 \text{ V}$)

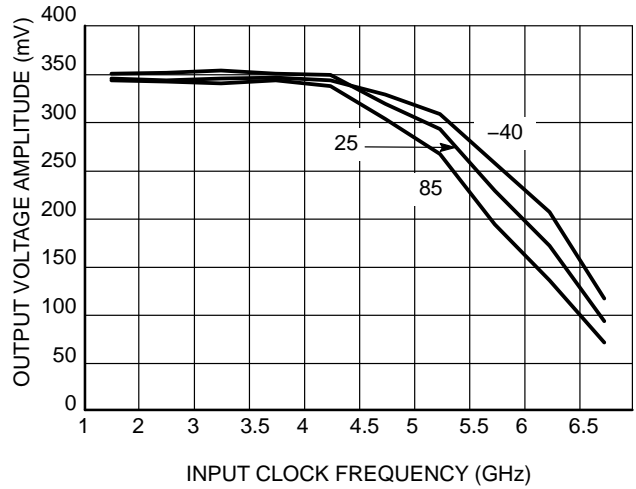


Figure 6. Output Voltage Amplitude vs. Input Clock Frequency and Temperature
($V_{inpp} = 75 \text{ mV}$; $V_{CC} = 2.5 \text{ V}$)

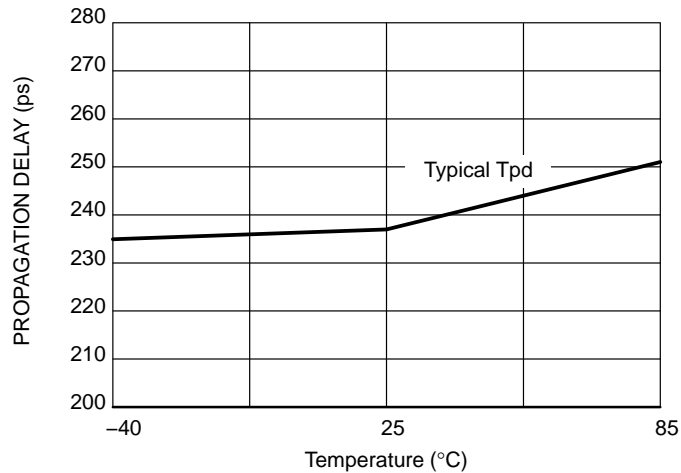


Figure 7. Propagation Delay versus Temperature

NB7L111M

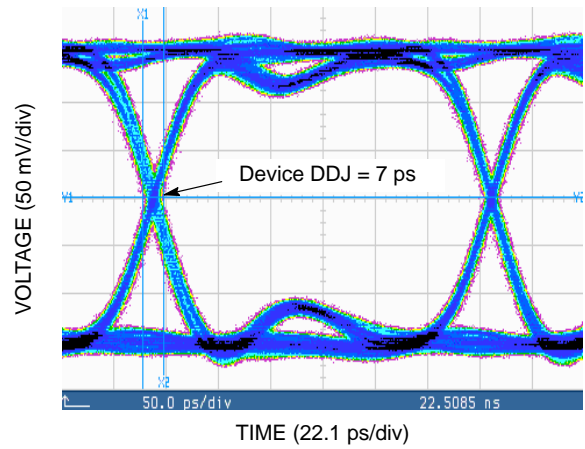
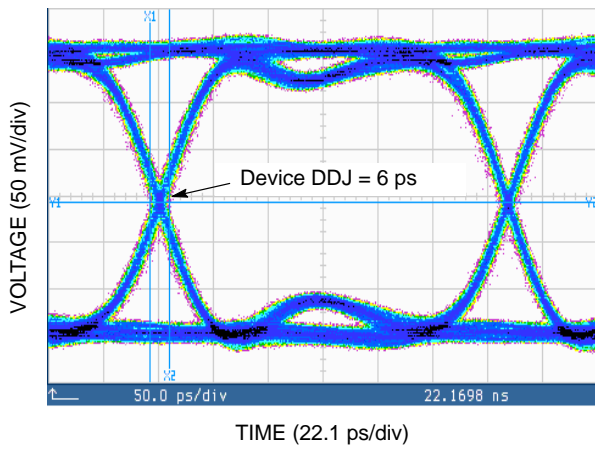


Figure 8. Typical Output Waveform at 3.125 Gb/s with PRBS $2^{23}-1$ ($V_{inpp} = 75$ mV-left and 400 mV-right)

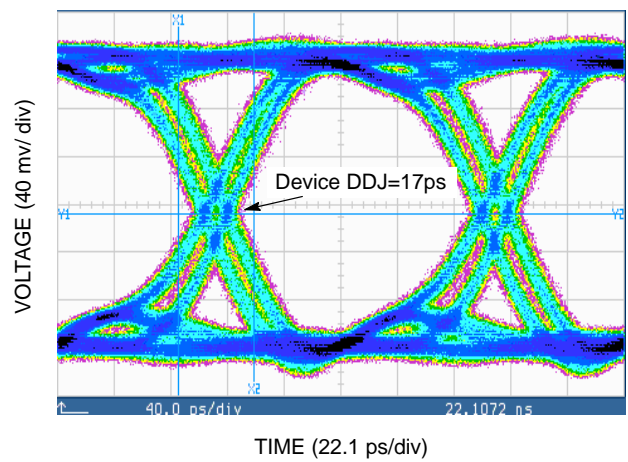
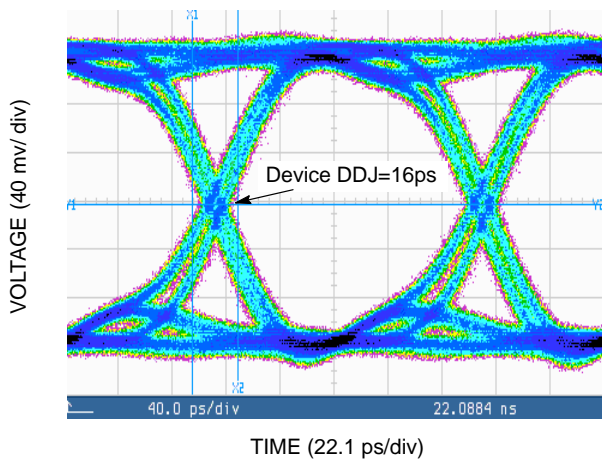


Figure 9. Typical Output Waveform at 5 Gb/s with PRBS $2^{23}-1$ ($V_{inpp}=75$ mV-left and 400 mV-right)

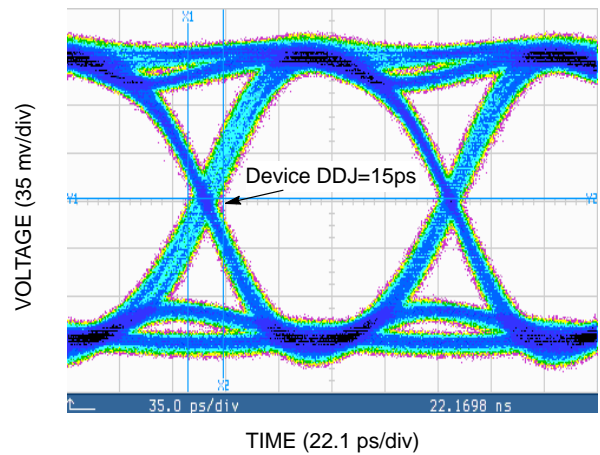
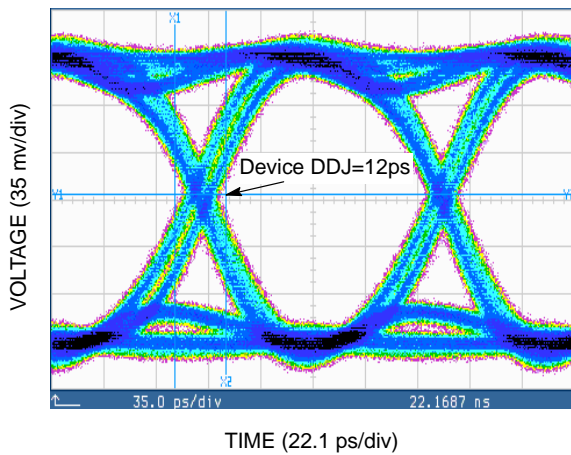


Figure 10. Typical Output Waveform at 6.125 Gb/s with PRBS $2^{23}-1$ ($V_{inpp} = 75$ mV-left and 400 mV-right)

NB7L111M

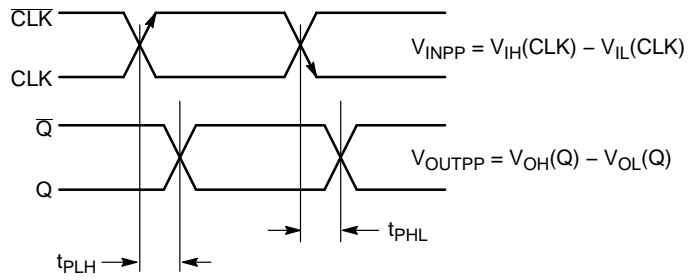


Figure 11. AC Reference Measurement

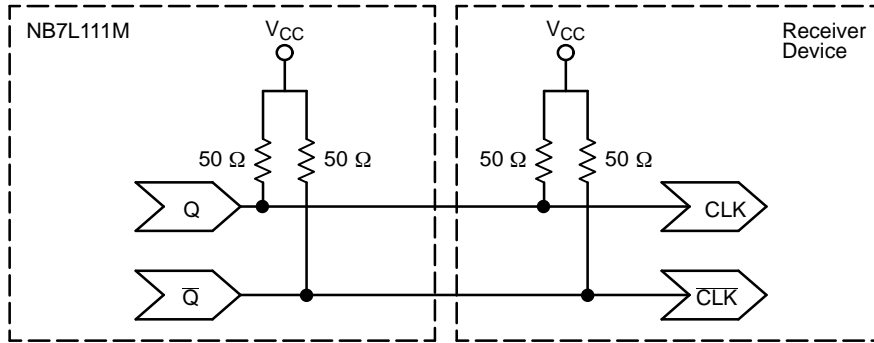


Figure 12. Typical Termination for 16 mA Output Drive and Device Evaluation

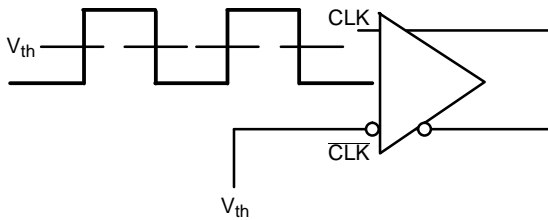


Figure 13. Differential Input Driven Single-Ended

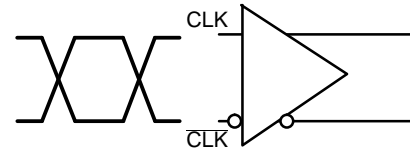


Figure 14. Differential Inputs Driven Differentially

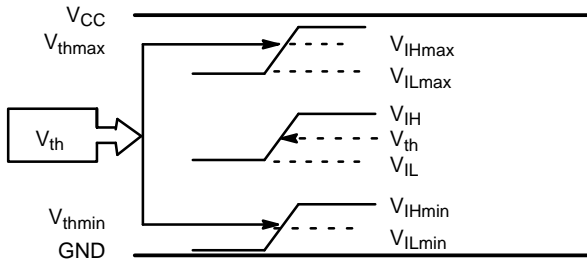


Figure 15. V_{th} Diagram

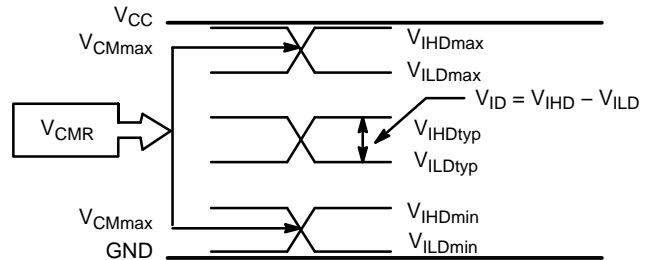


Figure 16. V_{CMR} Diagram

NB7L111M

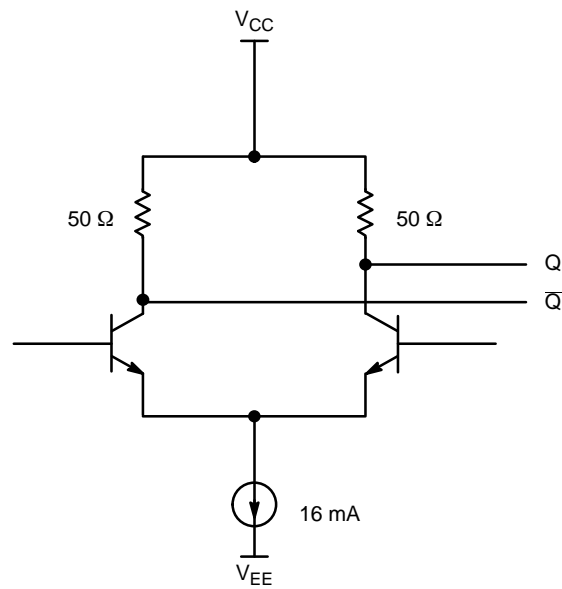


Figure 17. CML Output Structure

Table 7. Interfacing Options

INTERFACING OPTIONS	CONNECTIONS
CML	Connect $VTCLK0$, $\bar{VTCLK0}$, $VTCLK1$, $\bar{VTCLK1}$, $VTSEL$, \bar{VTSEL} to V_{CC}
LVDS	Connect $VTCLK0$, $\bar{VTCLK0}$ together for CLK0 input; Connect $VTCLK1$, $\bar{VTCLK1}$ together for CLK1 input; Connect $VTSEL$, \bar{VTSEL} together for SEL control input.
AC-COUPLED	Bias $VTCLK0$, $\bar{VTCLK0}$, $VTSEL$, \bar{VTSEL} and $VTCLK1$, $\bar{VTCLK1}$ inputs within (VCMR) Common Mode Range.
RSECL, LVPECL	Standard ECL termination techniques. See AND8020.
LVTTL, LVCMOS	An external voltage should be applied to the unused complementary differential input. Nominal voltage 1.5 V for LVTTL and $V_{CC}/2$ for LVCMOS inputs.

NB7L111M

Application Information

All NB7L111M inputs can accept LVPECL, CML, LVTTTL, LVCMOS and LVDS signal levels. The limitations for differential input signal (LVDS, PECL, or CML) are minimum input swing of 75 mV_{PP} and the maximum input

swing of 2500 mV_{PP}. Within these differential conditions, the input HIGH voltage can range from V_{CC} to 1.2 V. Examples of interfaces are illustrated below in a 50 Ω environment (Z = 50 Ω).

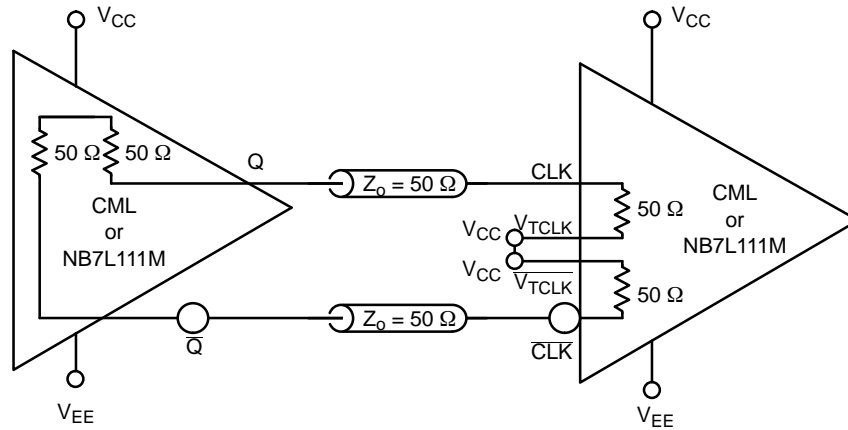


Figure 18. CML to CML Interface

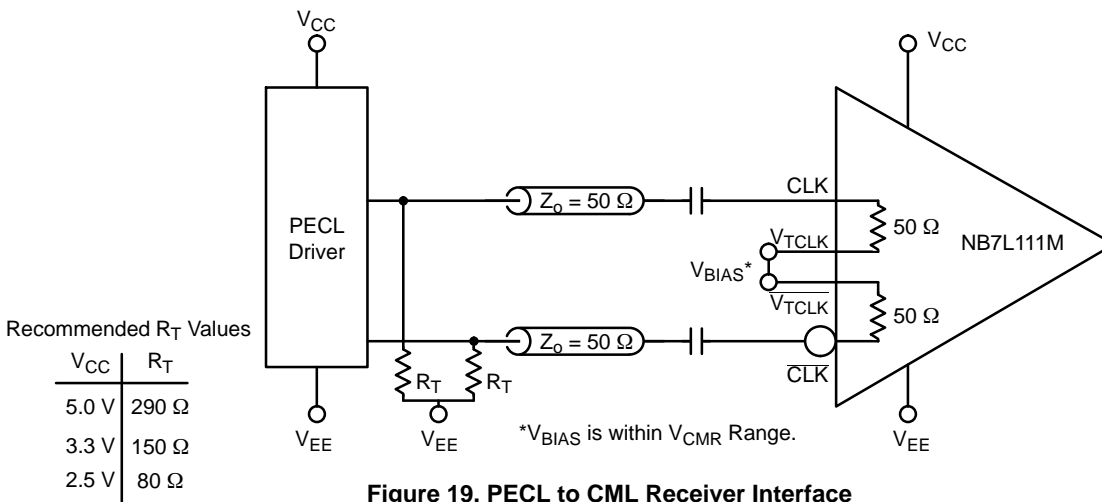


Figure 19. PECL to CML Receiver Interface

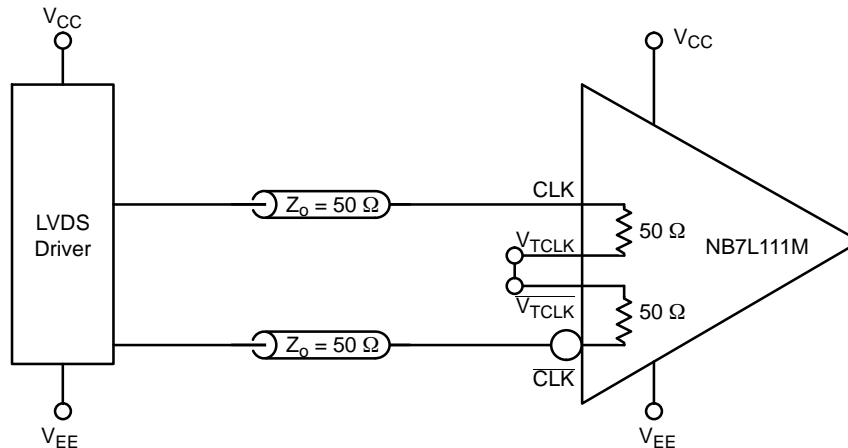
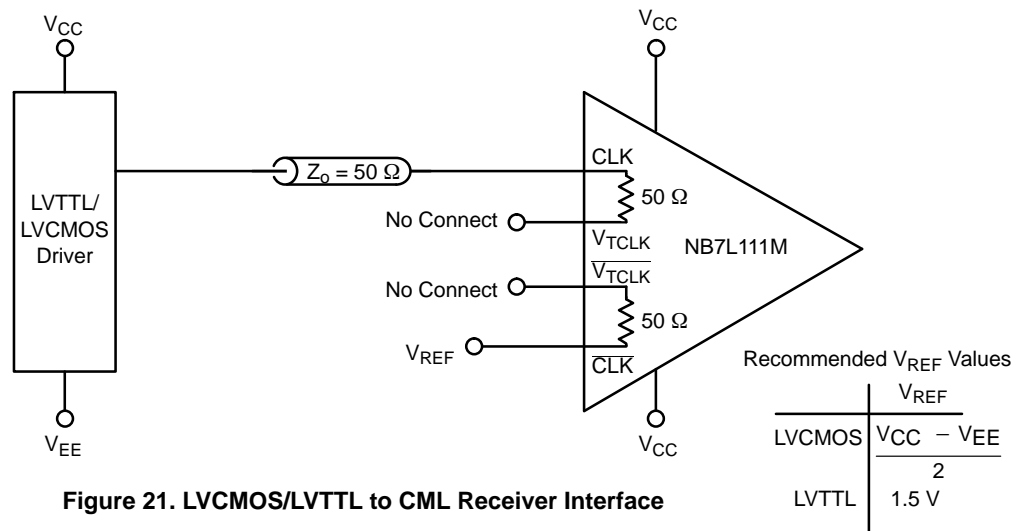


Figure 20. LVDS to CML Receiver Interface

NB7L111M



ORDERING INFORMATION

Device	Package	Shipping†
NB7L111MMNG	QFN-52 (Pb-Free)	260 Units / Tray
NB7L111MMNR2G	QFN-52 (Pb-Free)	2000 / Tape & Reel

†For information on tape and reel specifications, including part orientation and tape sizes, please refer to our Tape and Reel Packaging Specifications Brochure, BRD8011/D.

