

## 阅读申明

- 1.本站收集的数据手册和产品资料都来自互联网，版权归原作者所有。如读者和版权方有任何异议请及时告之，我们将妥善解决。
- 2.本站提供的中文数据手册是英文数据手册的中文翻译，其目的是协助用户阅读，该译文无法自动跟随原稿更新，同时也可能存在翻译上的不当。建议读者以英文原稿为参考以便获得更精准的信息。
- 3.本站提供的产品资料，来自厂商的技术支持或者使用者的心得体会等，其内容可能存在描述上的差异，建议读者做出适当判断。
- 4.如需与我们联系，请发邮件到marketing@iczoom.com，主题请标有“数据手册”字样。

## Read Statement

1. The datasheets and other product information on the site are all from network reference or other public materials, and the copyright belongs to the original author and original published source. If readers and copyright owners have any objections, please contact us and we will deal with it in a timely manner.
2. The Chinese datasheets provided on the website is a Chinese translation of the English datasheets. Its purpose is for reader's learning exchange only and do not involve commercial purposes. The translation cannot be automatically updated with the original manuscript, and there may also be improper translations. Readers are advised to use the English manuscript as a reference for more accurate information.
3. All product information provided on the website refer to solutions from manufacturers' technical support or users the contents may have differences in description, and readers are advised to take the original article as the standard.
4. If you have any questions, please contact us at marketing@iczoom.com and mark the subject with "Datasheets" .



## LOW NOISE 1:9 FANOUT BUFFER DC - 8 GHz

### Typical Applications

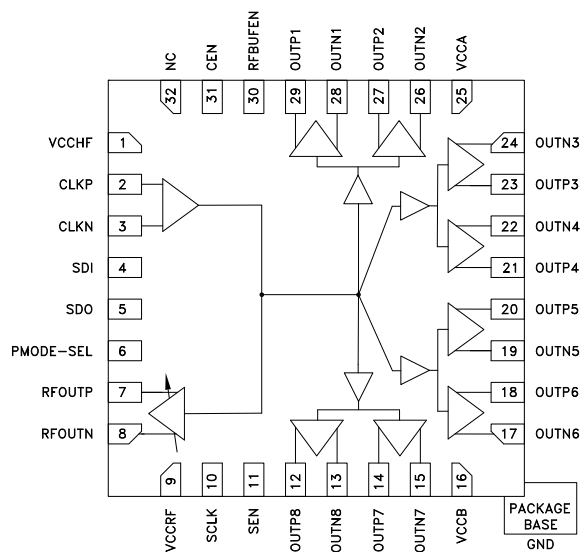
The is suitable for:

- SONET, Fibre Channel, GigE Clock Distribution
- ADC/DAC Clock Distribution
- Low Skew and Jitter Clock or Data Fanout
- Wireless/Wired Communications
- Level Translation
- High Performance Instrumentation
- Medical Imaging
- Single-Ended to Differential Conversion

### Features

- Ultra Low Noise Floor: -166 dBc/Hz @ 2 GHz
- Wideband: DC - 8 GHz Operating Frequency
- Flexible Input Interface:
  - LVPECL, LVDS, CML, CMOS Compatible
  - AC or DC Coupling
  - On-Chip Termination 50 or 150 Ω (100/300 Ω Diff.)
- Multiple Output Drivers:
  - Up to 8 Differential or 16 Single-Ended LVPECL Outputs:
    - 800 mVpp into 50 Ω Single-Ended (+3 dBm Fo)
  - One Adjustable Power CML/RF Output:
    - 9 to 3 dBm Single-Ended
- Serial or Parallel Control, Hardware Chip-Enable
- Power-Down Current < 1 uA
- 32 Lead 5x5 mm SMT Package 25 mm<sup>2</sup>

### Functional Diagram



### General Description

The 1-to-9 fanout buffer is designed for low noise clock distribution. It is intended to generate relatively square wave outputs with rise/fall times < 100 ps. The low skew and jitter outputs of the HMC987LP5E, combined with its fast rise/fall times, leads to controllable low-noise switching of downstream circuits such as mixers, ADCs/DACs or SERDES devices. The noise floor is particularly important in these applications, when the clock-network bandwidth is wide enough to allow square-wave switching. Driven at 2 GHz, outputs of the HMC987LP5E have a noise floor of -166 dBc/Hz, corresponding to a jitter density of 0.6 asec/rtHz - or 50 fs over an 8 GHz bandwidth.

The input stage can be driven single-ended or differentially, in a variety of signal formats (CML, LVDS, LVPECL or CMOS), AC or DC coupled. The input stage also features adjustable input impedance. It has 8 LVPECL outputs, and 1 CML output with adjustable swing/power-level in 3 dB steps.

Individual output stages may be enabled or disabled for power-savings when not required using either hardware control pins, or under control of a serial-port interface.

# HMC987\* PRODUCT PAGE QUICK LINKS

Last Content Update: 02/23/2017

---

## COMPARABLE PARTS

View a parametric search of comparable parts.

## EVALUATION KITS

- HMC987LP5E Evaluation Board

## DOCUMENTATION

### Data Sheet

- HMC987 Data Sheet

## TOOLS AND SIMULATIONS

- HMC987 IBIS Model

## REFERENCE MATERIALS

### Quality Documentation

- Semiconductor Qualification Test Report: BiCMOS-A (QTR: 2013-00235)

### Technical Articles

- The Impact of Clock Generator Performance on Data Converters

## DESIGN RESOURCES

- HMC987 Material Declaration
- PCN-PDN Information
- Quality And Reliability
- Symbols and Footprints

## DISCUSSIONS

View all HMC987 EngineerZone Discussions.

## SAMPLE AND BUY

Visit the product page to see pricing options.

## TECHNICAL SUPPORT

Submit a technical question or find your regional support number.

## DOCUMENT FEEDBACK

Submit feedback for this data sheet.



## LOW NOISE 1:9 FANOUT BUFFER DC - 8 GHz

**Table 1. Electrical Specifications**

Unless otherwise specified: T = 27 °C, Regulated VDD of 3.3 V, 2 GHz, 6 dBm in, AC coupled single ended input and output, 120 Ω/leg DC termination, AC coupled into 50 Ω measuring load. Effects of customer eval board ("[Evaluation PCB Schematic](#)") are de-embedded. For convenience, all voltages are referenced to GND (0V), but negative supply references are acceptable.

Parameter	Conditions	Min.	Typ.	Max.	Units
DC Input Characteristics					
VDD (VCCHF=VCCA=VCCB=VCCRF)		3.0	3.3	3.6	V
Input Common Mode Voltage		1.35	2	VDD - 0.2	V
Input Swing (Single Ended)		0.2		2	V <sub>pp</sub>
Input Capacitance			0.5		pF
Input Impedance					
Single-Ended	Selectable		50 / 150		Ω
Differential	Selectable		100 / 300		Ω
Input Bias Current	Base current under external DC bias, Internal termination open.		165		μA
Logic Inputs					
Switching Threshold (V <sub>sw</sub> )	VIH/VIL within 50 mV of V <sub>sw</sub>	38	47	54	%VDD
LVPECL DC Output Characteristics					
Output Voltage High Level	@ 3.3 V = 2.25	VDD - 1.2	VDD - 1.0	VDD - 0.8	V
Output Voltage Common Mode	@ 3.3 V = 1.82	VDD - 1.7	VDD - 1.5	VDD - 1.3	V
Output Voltage Low Level	@ 3.3 V = 1.42	VDD - 2.1	VDD - 1.9	VDD - 1.7	V
Output Voltage, Single-Ended			800		mV <sub>pp</sub>
AC Performance					
Input/Output Frequency [1]	> 400 V <sub>pp</sub> single-ended	DC		8000	MHz
3 dB Bandwidth			4000		MHz
Output Rise/Fall Time	20% to 80%		65		ps
Typical Channel Skew	Across all LVPECL outputs relative to channel 1	0	1.5	3.1	ps
Small Signal Gain S <sub>21</sub>					
1000 MHz			26		dB
4000 MHz			15		dB
Input P <sub>1dB</sub>					
1000 MHz			-20		dBm
4000 MHz			-10		dBm
Saturated Power in fundamental tone (Single-Ended)					
1000 MHz			2.5		dBm
4000 MHz			-0.5		dBm
Output Voltage Swing (V <sub>ppd</sub> into 100 Ω)					
700 MHz		1.5	1.6	1.7	V
2000 MHz		1.2	1.3	1.4	V

[1] For frequencies < 700 MHz, square wave signals should be used to maintain high quality phase noise performance.

## LOW NOISE 1:9 FANOUT BUFFER DC - 8 GHz



**Table 1. Electrical Specifications (Continued...)**

Parameter	Conditions	Min.	Typ.	Max.	Units
4000 MHz		1.1	1.2	1.3	V
Harmonics					
Fo			2		dBm
2Fo			-25		dBc
3Fo			-8		dBc
4Fo			-28		dBc
5Fo			-12		dBc
SSB Phase Noise at 100 Hz Offset					
622.08 MHz Carrier Frequency			-147		dBc/Hz
1750 MHz Carrier Frequency			-147		dBc/Hz
4000 MHz Carrier Frequency			-147		dBc/Hz
SSB Phase Noise Floor [2]					
100 MHz Carrier Frequency			-167		dBc/Hz
622.08 MHz Carrier Frequency			-167		dBc/Hz
1750 MHz Carrier Frequency			-166		dBc/Hz
2000 MHz Carrier Frequency			-166		dBc/Hz
4000 MHz Carrier Frequency			-163		dBc/Hz
4200 MHz Carrier Frequency			-162		dBc/Hz
Floor Jitter Density					
622.08 MHz Carrier Frequency			1.8		asec/√Hz
1750 MHz Carrier Frequency			0.7		asec/√Hz
4000 MHz Carrier Frequency			0.5		asec/√Hz
Integrated RMS Jitter					
622.08 MHz Carrier Frequency	100 Hz to 100 MHz		17		fs rms
	12 kHz to 20 MHz		8		fs rms
	20 kHz to 80 MHz		17		fs rms
	50 kHz to 80 MHz		17		fs rms
	4 MHz to 80 MHz		16		fs rms
1750 MHz Carrier Frequency	100 Hz to 100 MHz		7		fs rms
	12 kHz to 20 MHz		3		fs rms
	20 kHz to 80 MHz		6		fs rms
	50 kHz to 80 MHz		6		fs rms
	4 MHz to 80 MHz		6		fs rms
4000 MHz Carrier Frequency	100 Hz to 100 MHz		4		fs rms
	12 kHz to 20 MHz		2		fs rms
	20 kHz to 80 MHz		4		fs rms
	50 kHz to 80 MHz		4		fs rms
	4 MHz to 80 MHz		4		fs rms
Output Return Loss	500 MHz to 4 GHz	-16	-12	-8	dB

[2] CML buffer has similar phase noise characteristics at maximum output power level.



## LOW NOISE 1:9 FANOUT BUFFER DC - 8 GHz

**Table 1. Electrical Specifications (Continued...)**

Parameter	Conditions	Min.	Typ.	Max.	Units
<b>Isolation</b>					
In to Out - Chip Disabled			47		dB
<b>Off isolation - Relative to Power of neighboring driven port</b>					
700 MHz		60		48	dB
4000 MHz		50		32	dB
<b>Output to Output Isolation with 500 MHz Aggressor Signal Injected into Output Port</b>					
To Locally paired output buffer			25		dB
To other buffers			45		dB
<b>RF Output Buffer</b>					
3 dB Bandwidth			5000		MHz
Max Output Power (vs Temperature at 2 GHz)	Single-Ended	3		3.2	dBm
Power Control Range (3 dB steps)	Single-Ended	-9		3	dBm
Delay Relative to LVPECL Output			-140		ps
<b>Power Supply Rejection</b>					
FM/Phase Pushing			0.8		ps/V
AM Rejection			7		dB
<b>Current Consumption (3.3 V Unloaded Outputs)</b>					
Chip Disabled			1		μA
1 Output			60		mA
2 Outputs			71		mA
3 Outputs			97		mA
4 Outputs			108		mA
5 Outputs			134		mA
6 Outputs			144		mA
7 Outputs			170		mA
8 Outputs			180		mA
8 + RF Buffer (Min to Max Power)		198		234	mA
<b>SPI Interface</b>					
Vil				1.1	V
Vih		2.0			V
Vol				0.4	V
Voh		2.3			V

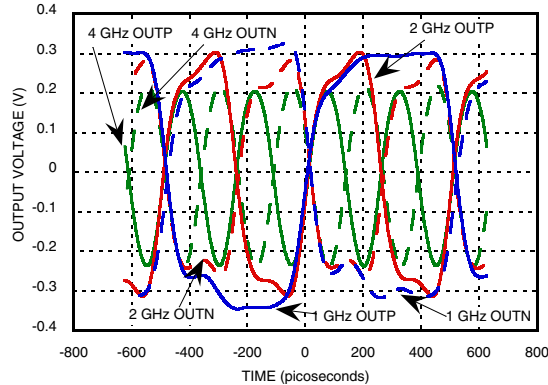


**LOW NOISE 1:9 FANOUT BUFFER  
DC - 8 GHz**

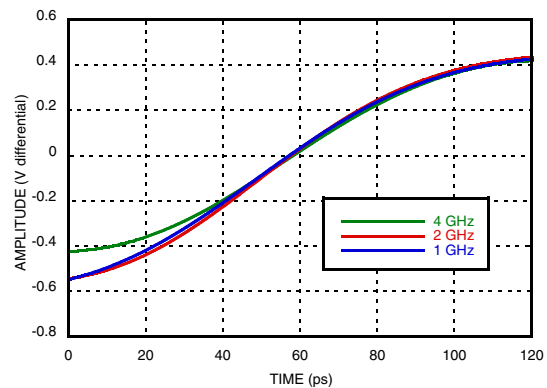
**TYPICAL PERFORMANCE CHARACTERISTICS**

Unless otherwise specified: T = 27 °C, Regulated VDD = 3.3 V, 2 GHz, 6 dBm in, AC coupled single ended input and output, 120 Ω/leg DC termination, AC coupled into 50 Ω measuring load.

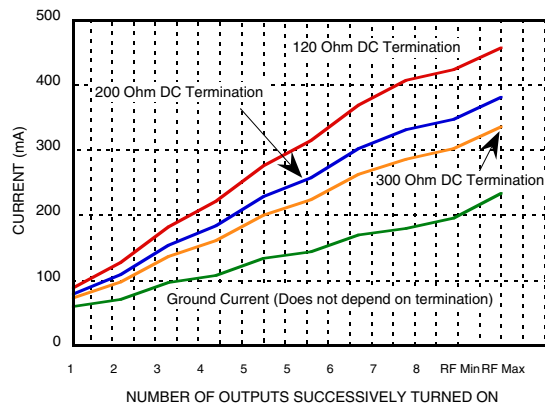
**Figure 1. LVPECL Output vs. Frequency [1]**



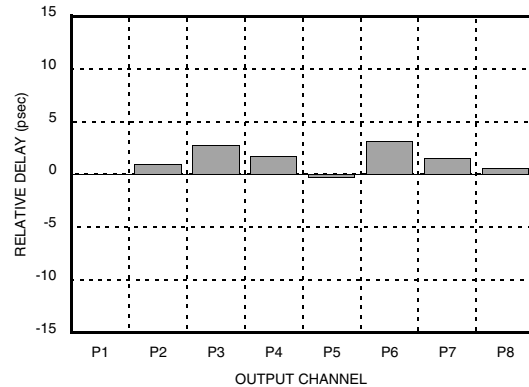
**Figure 2. LVPECL Output vs. Frequency [1]**



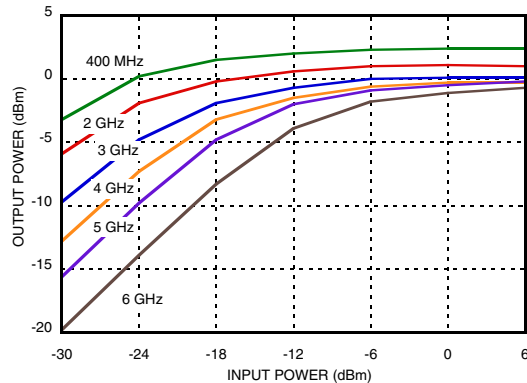
**Figure 3. Current Consumption vs. Num. of Enabled Buffers & Load Resistors[2]**



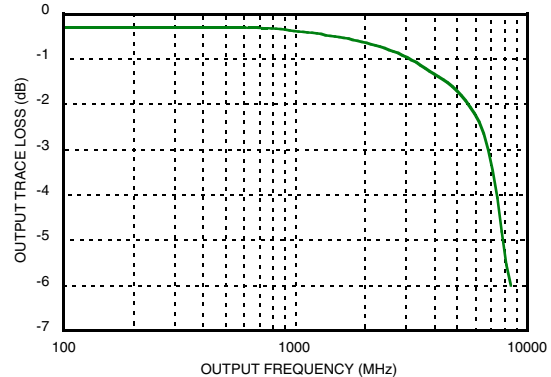
**Figure 4. Skew of LVPECL Outputs Relative to Output Channel 1 [4]**



**Figure 5. Fundamental Output Power vs. Input Power [3]**



**Figure 6. Evaluation Board LVPECL Output Trace Loss vs. Frequency [5]**



[1] +2dBm input, Uncorrected for board loss. Measurement is band limited by the trace bandwidth of 7 GHz.

[2] Buffers 1 through 8 are successively turned on. RF Min - RF buffer turned on with minimum gain, RF Max - RF buffer turned on with maximum gain

[3] 200 Ω Termination, Corrected for board loss.

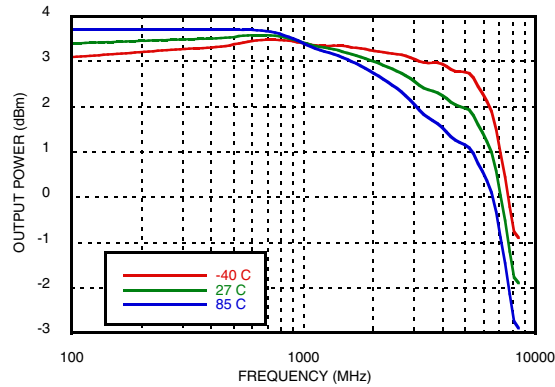
[4] Characterized at 2 GHz, Effects of customer evaluation board skew and loss are embedded.

[5] The graph shows only output trace distortion.

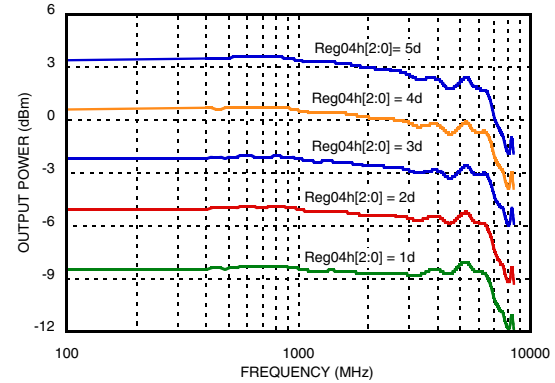


**LOW NOISE 1:9 FANOUT BUFFER  
DC - 8 GHz**

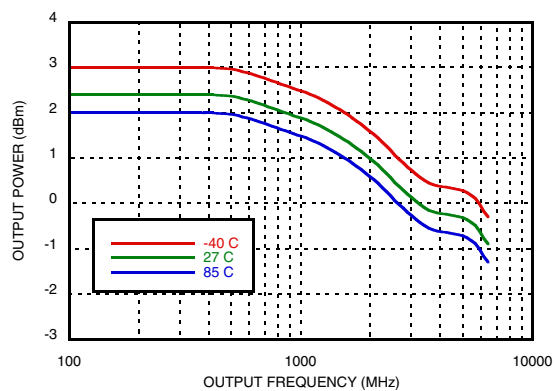
**Figure 7. RF Buffer Fo Output Power vs. Frequency & Temperature (Max Gain)**



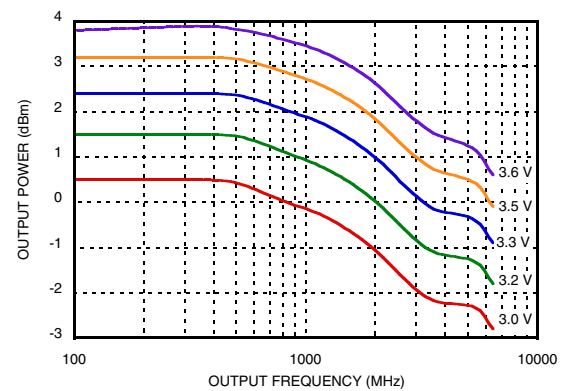
**Figure 8. RF Output Power Control**



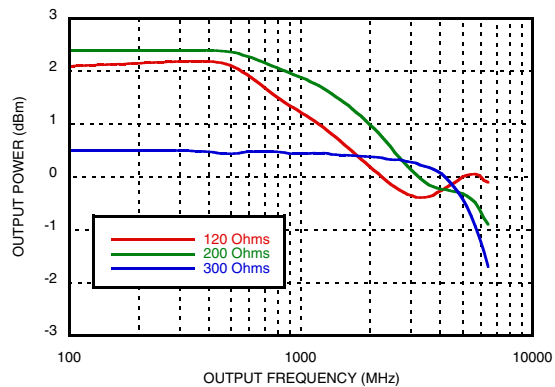
**Figure 9. Fundamental Output Power vs. Frequency & Temperature [6]**



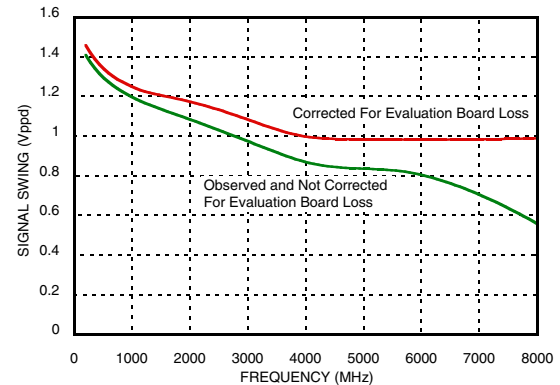
**Figure 10. Fundamental Output Power vs. Frequency & Supply Voltage at 27 °C [6]**



**Figure 11. Fundamental Output Power vs. Frequency & Termination at 27 °C [6]**



**Figure 12. Signal Swing vs. Frequency [7]**



[6] Measured single-ended. Corrected for trace loss. 200 Ω DC termination, 3.3 V +6 dBm single-ended input. HMC987LP5E AC coupled to 50 Ω instrument.

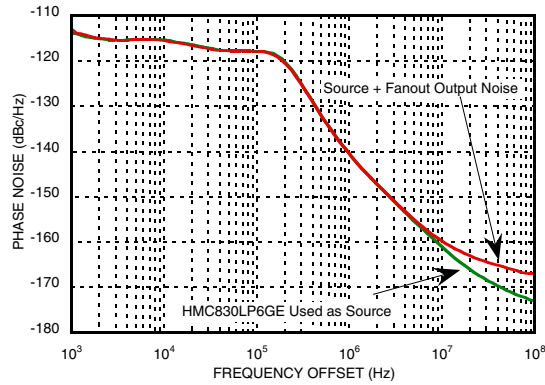
[7] Input signal power = +6 dBm. 120 Ω/leg DC termination. AC coupled via 50 pF to 26 GHz Oscilloscope (50 Ohm/leg termination).



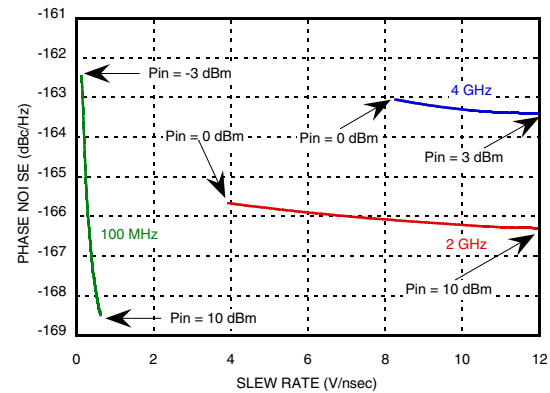


**LOW NOISE 1:9 FANOUT BUFFER  
DC - 8 GHz**

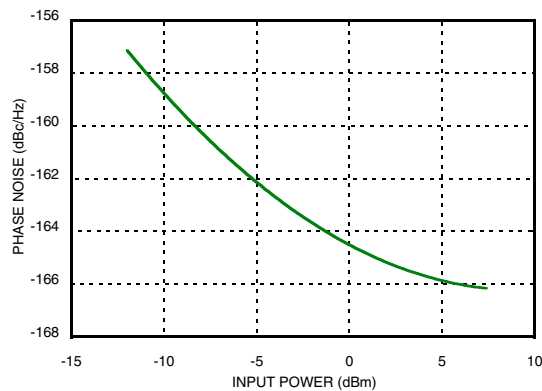
**Figure 13. Phase Noise Performance at 2 GHz (Differential Drive) [9]**



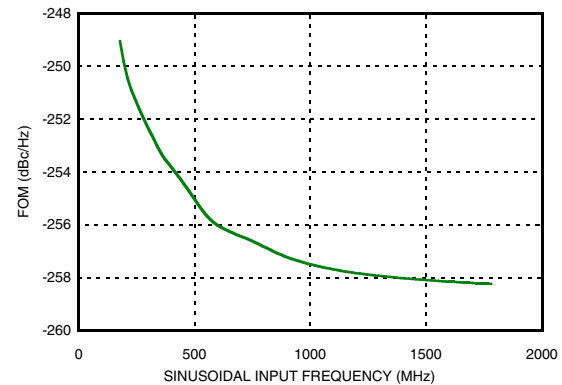
**Figure 14. Phase Noise Floor vs. Slew Rate**



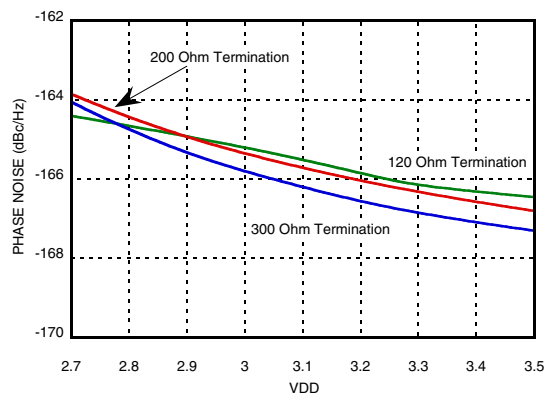
**Figure 15. Phase Noise Floor at 1.6 GHz vs. Input Power**



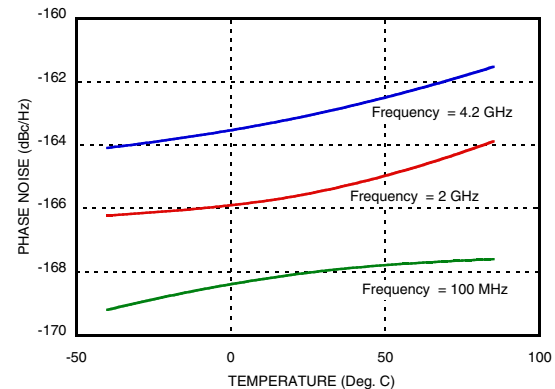
**Figure 16. Phase Noise Performance with Low Frequency Sinusoidal Inputs [8]**



**Figure 17. Phase Noise Floor at 2 GHz vs. VDD and DC Termination**



**Figure 18. Phase Noise Floor vs. Temperature**



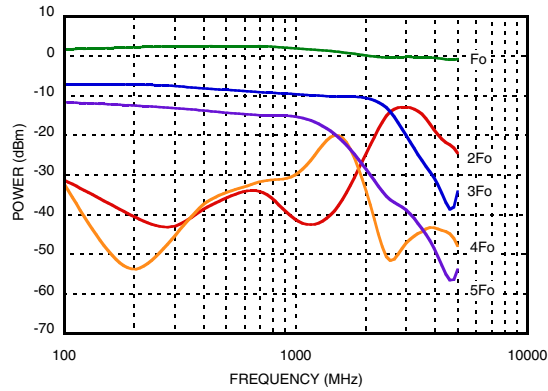
[8] Input power = 10 dBm single-ended. Phase Noise Floor (dBc/Hz) = FOM (dBc/Hz) + 10log(Fout [Hz])

[9] HMC830LP6GE used as signal source, Driving +9 dBm differentially.

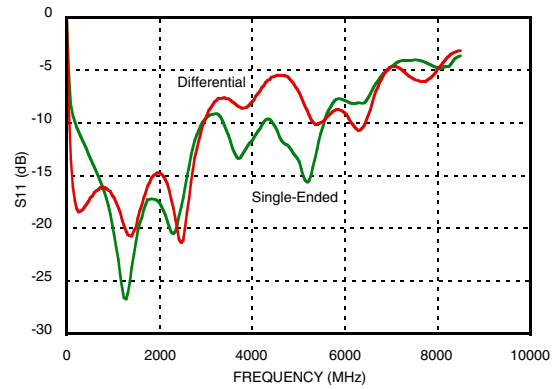


**LOW NOISE 1:9 FANOUT BUFFER  
DC - 8 GHz**

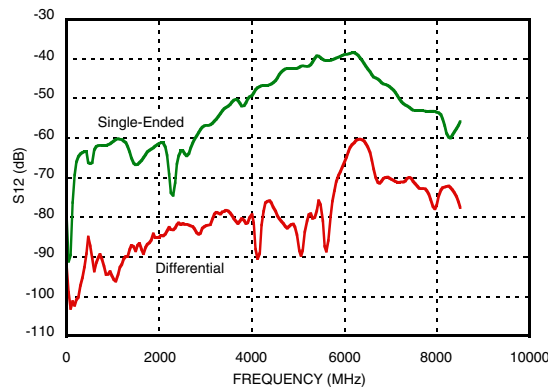
**Figure 19. Harmonic Performance  
(Single-Ended Input & Output) [10]**



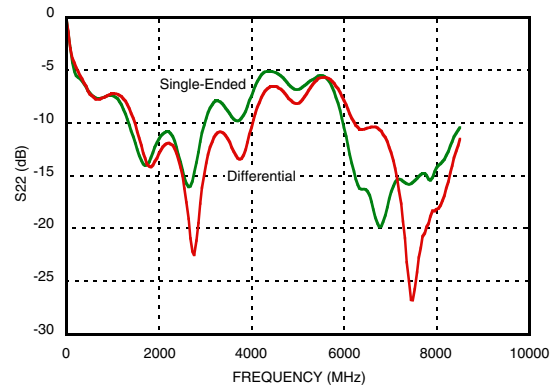
**Figure 20. S-Parameters - S11 [11]**



**Figure 21. S-Parameters - S12 [11]**



**Figure 22. S-Parameters - S22 [11]**



[10] Not corrected for board/cable loss.

[11] Effects of the customer evaluation board are not corrected. Improvements in S11 and S22 are possible under different evaluation board configurations


**LOW NOISE 1:9 FANOUT BUFFER  
DC - 8 GHz**
**Table 2. Pin Descriptions**

Pin Number	Function	Description
1	VCCHF	Power Supply
2	CLKP	Differential clock inputs
3	CLKN	
4	SDI	Serial port data input
5	SDO	Serial port data output
6	PMODE-SEL	Parallel mode select. If 1, pins (SCLK, SDI, SEN) are interpreted as a control-word which enables different buffers. See section <a href="#">"Parallel Port Control"</a>
7	RFOUTP	Differential signal output
8	RFOUTN	
9	VCCRF	Power supply
10	SCLK	Serial port clock
11	SEN	Serial port latch enable
12	OUTP8	Differential signal output
13	OUTN8	
14	OUTP7	Differential signal output
15	OUTN7	
16	VCCB	Power supply
17	OUTN6	Differential signal output
18	OUTP6	
19	OUTN5	Differential signal output
20	OUTP5	
21	OUTP4	Differential signal output
22	OUTN4	
23	OUTP3	Differential signal output
24	OUTN3	
25	VCCA	Power supply
26	OUTN2	Differential signal output
27	OUTP2	
28	OUTN1	Differential signal output
29	OUTP1	
30	RFBUFEN	Active high RF buffer enable. The polarity of this control input can be swapped via SPI bit <a href="#">Reg03h[4]</a> .
31	CEN	Hardware chip enable. Logic 0=Power Down, Logic 1=Active
32	NC	No Connect


**LOW NOISE 1:9 FANOUT BUFFER  
DC - 8 GHz**
**Table 3. Absolute Maximum Ratings**

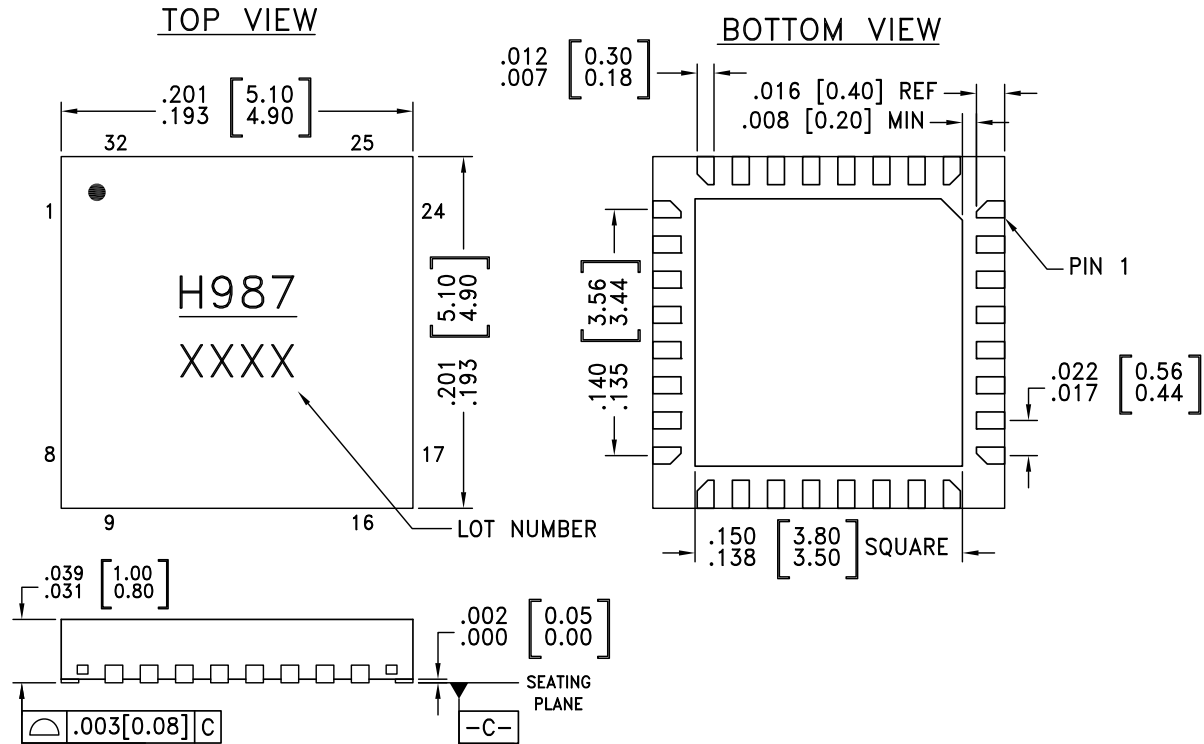
Parameter	Rating
Max Vdc to paddle on supply pins 1, 9, 16, 25	-0.3 V to +4 V
Max RF Power CLKP, CLKN	15 dBm single-ended
CLKP, CLKN	- 0.3 V to 3.6 V
LVPECL Min Output Load Resistor	100 Ohms to GND
LVPECL Output Load Current	40 mA/leg
Digital Load	1 k $\Omega$ min
Digital Input Voltage Range	-0.3 to 3.6 V
Thermal Resistance (junction to ground paddle)	25 $^{\circ}$ C/W
Operating Temperature Range	-40 $^{\circ}$ C to +85 $^{\circ}$ C
Storage Temperature Range	-65 $^{\circ}$ C to + 125 $^{\circ}$ C
Maximum Junction Temperature	+125 $^{\circ}$ C
Reflow Soldering	
Peak Temperature	260 $^{\circ}$ C
Time at Peak Temperature	40 sec
ESD Sensitivity HBM	Class 1B

Stresses above those listed under Absolute Maximum Ratings may cause permanent damage to the device. This is a stress rating only; functional operation of the device at these or any other conditions above those indicated in the operational section of this specification is not implied. Exposure to absolute maximum rating conditions for extended periods may affect device reliability.



## LOW NOISE 1:9 FANOUT BUFFER DC - 8 GHz

### Outline Drawing



#### NOTES:

- [1] PACKAGE BODY MATERIAL: LOW STRESS INJECTION MOLDED PLASTIC SILICA AND SILICON IMPREGNATED.
- [2] LEAD AND GROUND PADDLE MATERIAL: COPPER ALLOY.
- [3] LEAD AND GROUND PADDLE PLATING: 100% MATTE TIN.
- [4] DIMENSIONS ARE IN INCHES [MILLIMETERS].
- [5] LEAD SPACING TOLERANCE IS NON-CUMULATIVE.
- [6] PAD BURR LENGTH SHALL BE 0.15 mm MAX. PAD BURR HEIGHT SHALL BE 0.05 mm MAX.
- [7] PACKAGE WARP SHALL NOT EXCEED 0.05 mm
- [8] ALL GROUND LEADS AND GROUND PADDLE MUST BE SOLDERED TO PCB RF GROUND.
- [9] REFER TO HITTITE APPLICATION NOTE FOR SUGGESTED PCB LAND PATTERN.

**Table 4. Package Information**

Part Number	Package Body Material	Lead Finish	MSL Rating	Package Marking <sup>[1]</sup>
	RoHS-compliant Low Stress Injection Molded Plastic	100% matte Sn	MSL1 <sup>[2]</sup>	H987 XXXX

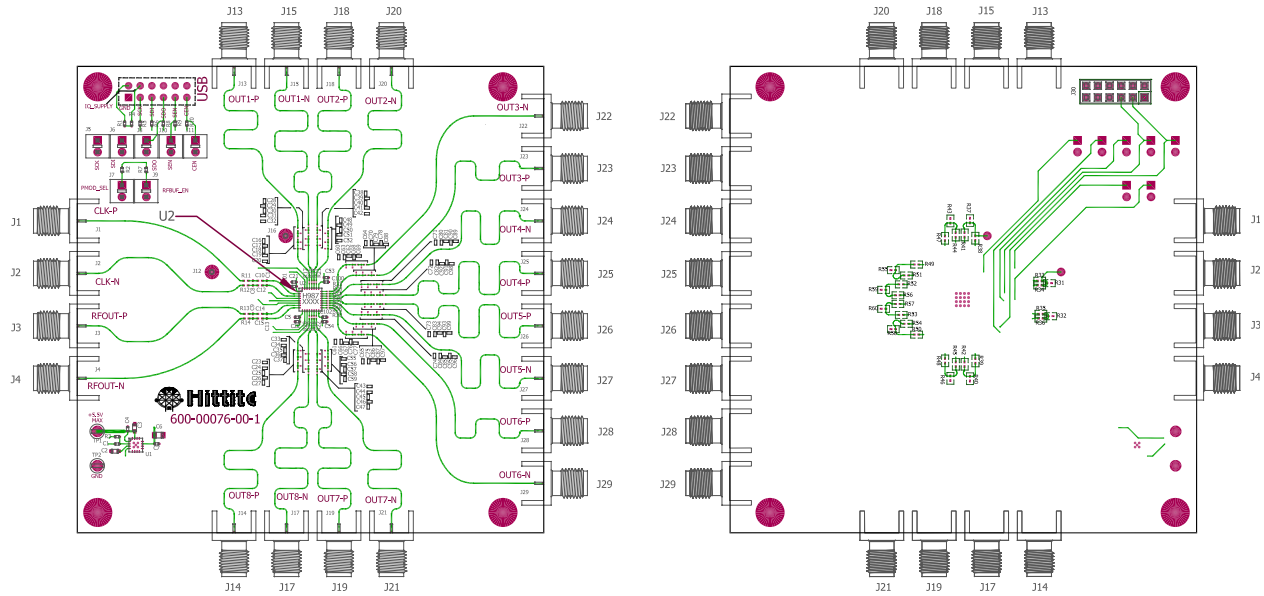
[1] 4-Digit lot number XXXX

[2] Max peak reflow temperature of 260°C



**LOW NOISE 1:9 FANOUT BUFFER  
DC - 8 GHz**

**Evaluation PCB**



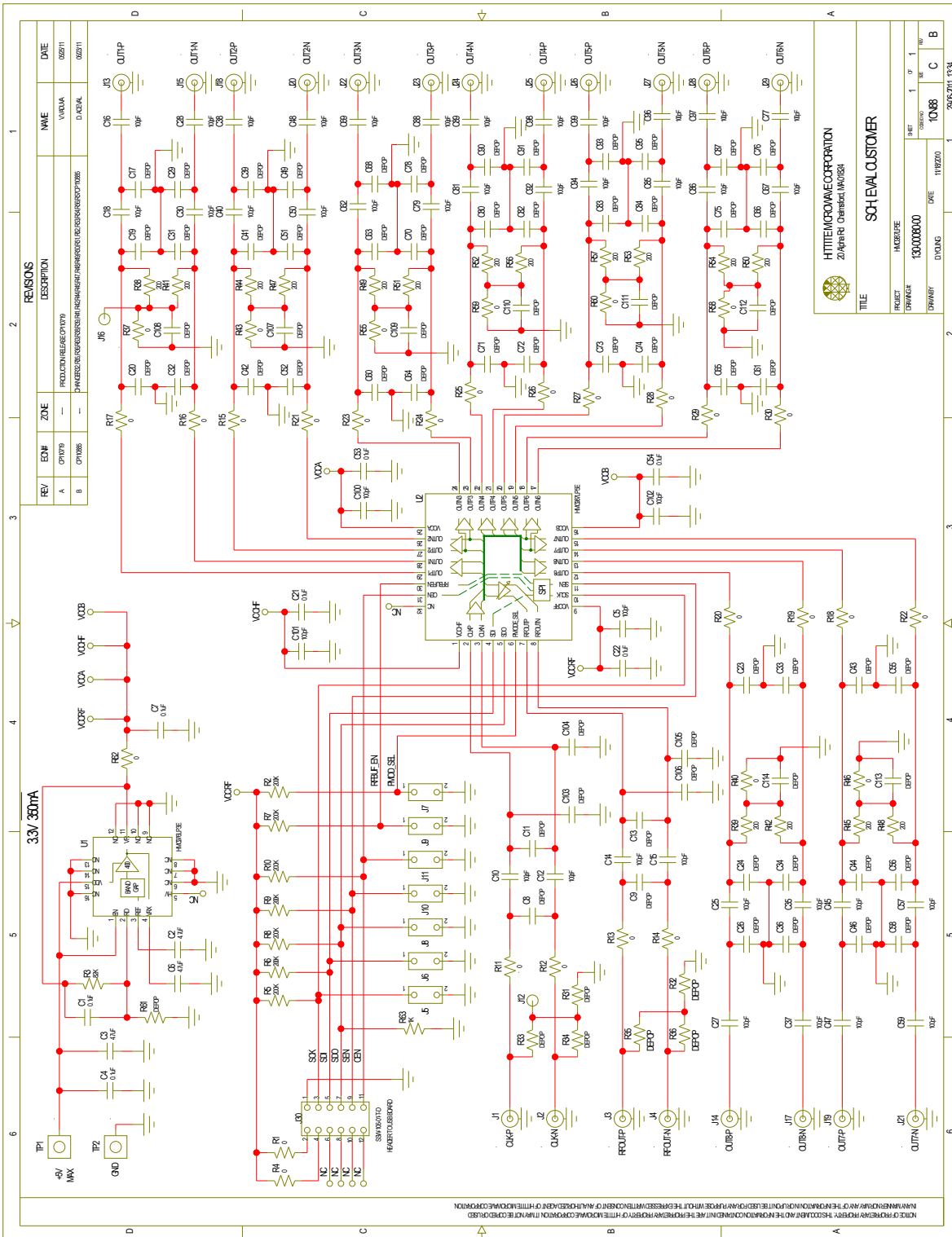
The circuit board used in the application should use RF circuit design techniques. Signal lines should have 50 Ohms impedance while the package ground leads and exposed paddle should be connected directly to the ground plane similar to that shown. A sufficient number of via holes should be used to connect the top and bottom ground planes. The evaluation circuit board shown is available from Hittite upon request.

**Table 5. Evaluation Order Information**

Item	Contents	Part Number
Evaluation PCB	Evaluation PCB	EVAL01-HMC987LP5E
Evaluation Kit	Evaluation PCB USB Interface Board 6' USB A Male to USB B Female Cable CD ROM (Contains User Manual, Evaluation PCB Schematic, Evaluation Software,	EKIT01-HMC987LP5E



**Evaluation PCB Schematic**



Information furnished by Analog Devices is believed to be accurate and reliable. However, no responsibility is assumed by Analog Devices for its use, nor for any infringements of patents or other rights of third parties that may result from its use. Specifications subject to change without notice. No license is granted by implication or otherwise under any patent or patent rights of Analog Devices. Trademarks and registered trademarks are the property of their respective owners.

For price, delivery, and to place orders: Analog Devices, Inc., One Technology Way, P.O. Box 9106, Norwood, MA 02062-9106 Phone: 781-329-4700 • Order online at [www.analog.com](http://www.analog.com) Application Support: Phone: 1-800-ANALOG-D


**LOW NOISE 1:9 FANOUT BUFFER  
DC - 8 GHz**
**Theory of Operation**
**Parallel Port Control**

The various outputs of the can be enabled/disabled by using parallel pin control, or via the SPI. In parallel-mode (PMODE-SEL = 1), the SPI input pins (SCLK, SKI, SEN) are re-interpreted as a 3-bit control bus, and enable the LVPECL drivers according to the following truth table.

SCLK, SDI, SEN

000: OUT2

001: OUT2 + OUT7

010: OUT2 + OUT7 + OUT4

011: OUT2 + OUT7 + OUT4 + OUT6

100: OUT2 + OUT7 + OUT4 + OUT6 + OUT5

101: OUT2 + OUT7 + OUT4 + OUT6 + OUT5 + OUT3

110: OUT2 + OUT7 + OUT4 + OUT6 + OUT5 + OUT3 + OUT8

111: OUT2 + OUT7 + OUT4 + OUT6 + OUT5 + OUT3 + OUT8 + OUT1

Under SPI control (PMODE-SEL = 0, see section [“Register Map”](#) for the register map and SPI protocol details), there is slightly more flexibility in that any combination of buffers can be enabled or disabled via the individual buffer enable bits in [Reg02h](#).

The part features switches on both the input and output signals, so that when the part is disabled (via either the CEN pin, or the SPI control bit [Reg01h\[0\]](#)), the power-down current drops to < 2  $\mu$ A, regardless of the IO termination scheme.

**Input Stage**

The input stage, [Figure 26](#), is flexible. It can be driven single-ended or differential, with LVPECL, LVDS, or CML signals. If driven single-ended, a large AC coupling cap to ground should be used on the undriven input. The input impedance is selectable, via [Reg03h\[3\]](#), between 50  $\Omega$  or 150  $\Omega$  single ended(100  $\Omega$  or 300  $\Omega$  differential). The DC bias level of 2.0 V can be generated internally by programming [Reg03\[1\]=1](#) (default configuration), supplied externally, or generated via an LVPECL termination network inside the part.

**Chip Enable**

The HMC987 has a chip enable feature, CEN, which can be used to power down or deactivate the LVPECL and RF outputs. This can be done by either hardware, pin 31, or a SPI command, Reg01.

For a hardware selection, a logic 0 applied to CEN will power down the HMC987, however, SPI commands can still be written which will be recognized upon when a logic 1 is applied to CEN. Note, there is no internal pull-up or pull-down and this pin must be terminated. To control CEN by SPI command, Reg 01h[0] is set to 1, which is the default mode, and enables the outputs. When Reg01[0]=0 then the outputs are disabled. Either a hardware, pin 31, or a SPI command will disable the outputs.



**LOW NOISE 1:9 FANOUT BUFFER  
DC - 8 GHz**

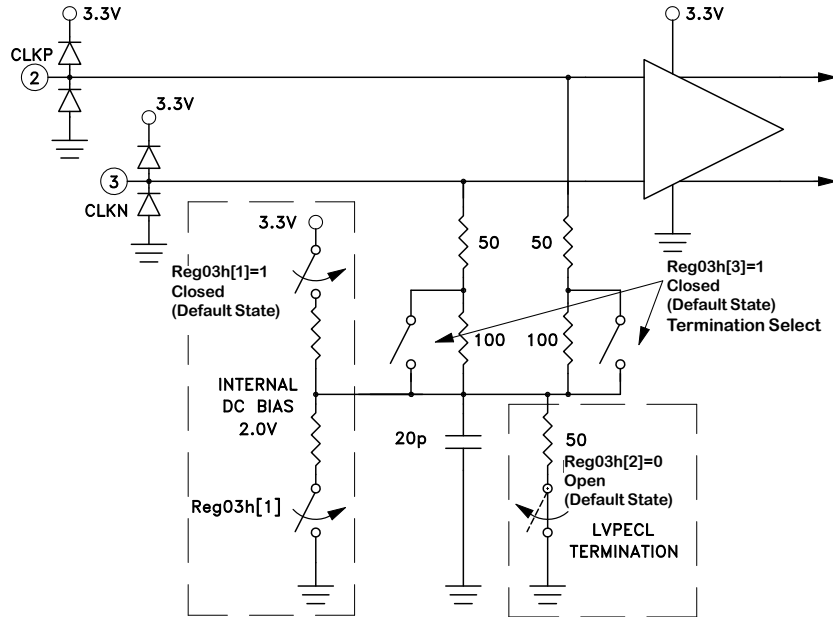


Figure 26. Input Stage

Figures 27 to Figure 31 illustrate common input interface configurations.

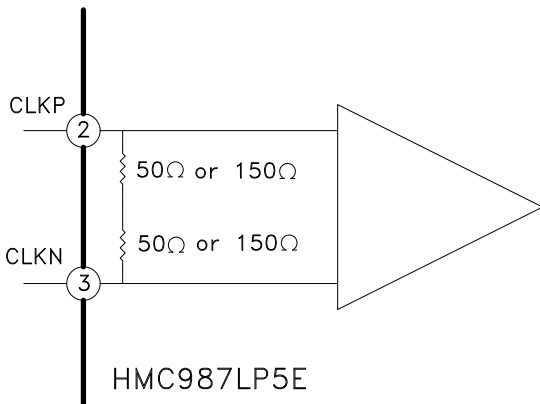


Figure 27. DC Coupled CML Interface

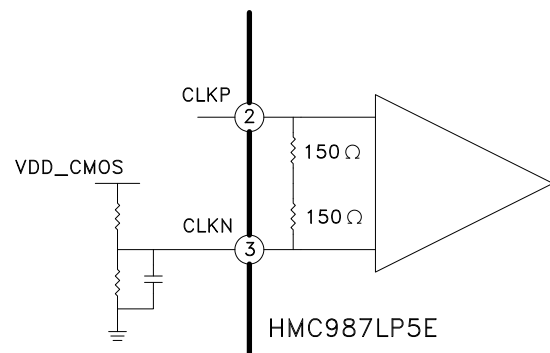


Figure 28. DC Coupled CMOS Interface



**LOW NOISE 1:9 FANOUT BUFFER  
DC - 8 GHz**

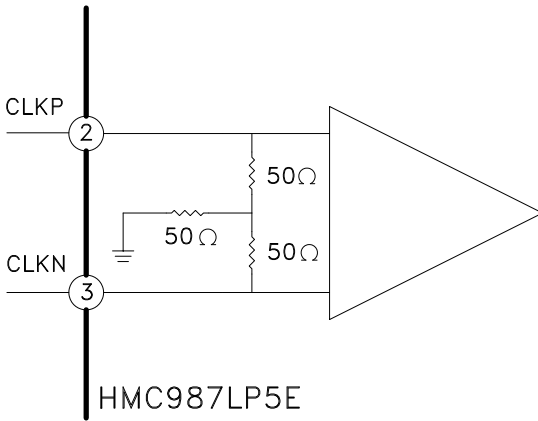


Figure 29. DC Coupled LVPECL Interface

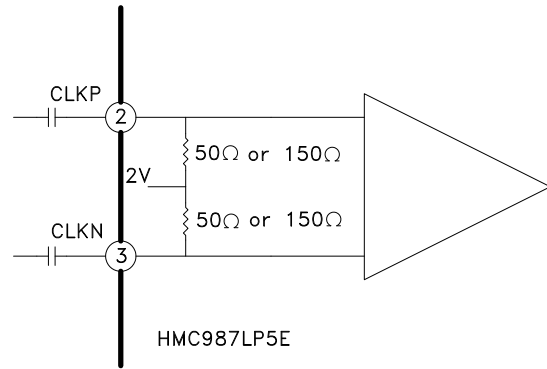


Figure 30. AC Coupled Differential CML / LVPECL / LVDS / CMOS Interface

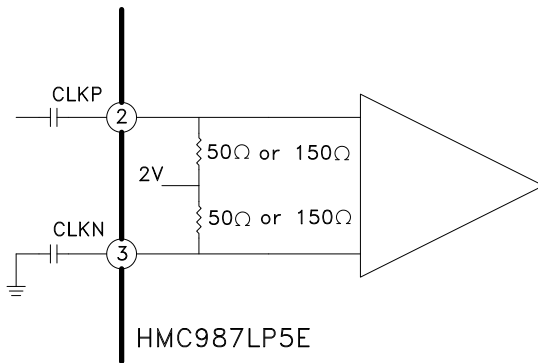


Figure 31. AC Coupled Single-Ended CML / LVPECL / LVDS / CMOS Interface

**LVPECL Output Stage**

The LVPECL output driver produces up to 1.6 Vppd swing into 100 Ω differential loads. LVPECL drivers are terminated with off-chip resistors that provide the DC current through the emitter-follower output stage. The output stage has a switch which disconnects the output driver from the load when not used. The switch series resistor significantly improves the output match when driving into 50 Ω transmission lines. The switch series resistor causes a small DC level shift and swing degradation, depending on the termination current.

If unused, disabled LVPECL outputs can be left floating, terminated, or grounded.



**LOW NOISE 1:9 FANOUT BUFFER  
DC - 8 GHz**

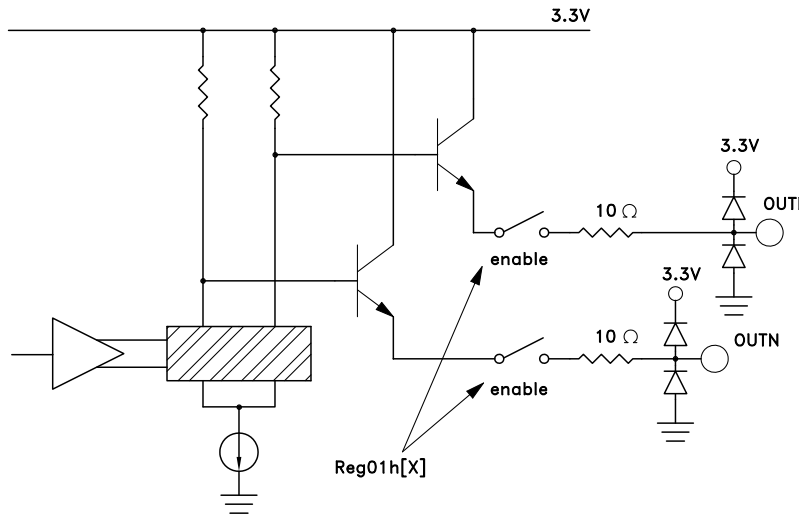


Figure 32. Output Stage

Figures 34 35 36 illustrate common output interface configurations.

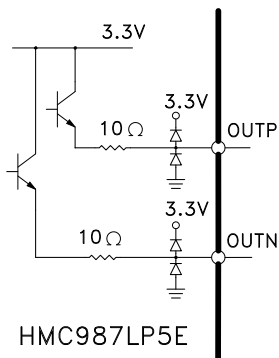


Figure 33. DC Coupled to LVPECL Interface

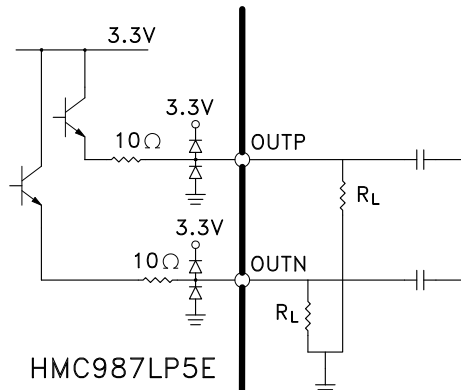


Figure 34. AC coupled to LVDS / CML / LVPECL / CMOS



**LOW NOISE 1:9 FANOUT BUFFER  
DC - 8 GHz**

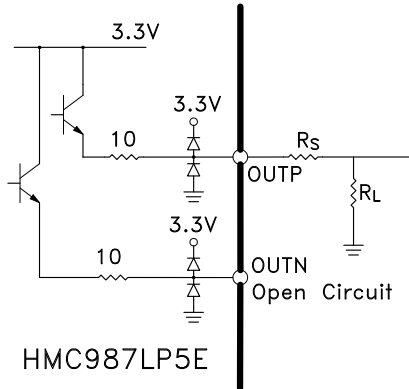


Figure 35. DC Coupled to CMOS Interface

The user has a number of choices in how they connect LVPECL drivers and receivers, and there are great number of resources that deal in detail with this issue. As a quick introduction, there are compromises between matching performance, common mode levels, and signal swing. For clocking applications, the user often has the luxury of using AC coupling, unlike in many data-path situations. Figure 36 shows a simplified interface schematic between an LVPECL output and input stage - where various options and trade-offs for the termination components are provided in Table 6. The Hittite evaluation board has a great deal of flexibility in how the I/Os are configured, and allows the configuration in Figure 34, among many others.

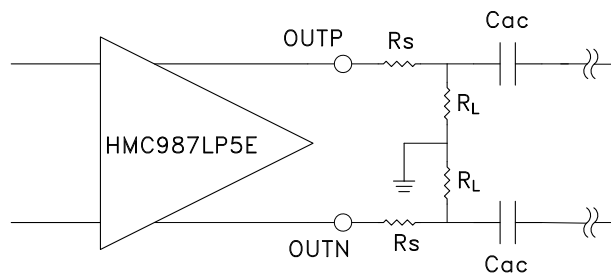


Figure 36. Recommended Interface Diagram

**Table 6. Interface Values**

Rs - Used to increase Ro to match to 50 Ω environment. already has ~ 10 Ω internally.	
0 Ω	Hittite EVB: Largest signal swing, lowest common mode shift
10 Ω	Better S22
RL - DC current termination for LVPECL output stage	
120 Ω	Hittite EVB default: Standard LVPECL termination voltages
200 Ω	Reduced current, no performance degradation
300 Ω	Further reduced current, lower output power but flatter frequency response
OPEN	If using internal DC termination network at the Rx
Cac - AC coupling cap	
BIG CAP	Hittite EVB default: If using AC coupling
SHORT	If using internal DC termination network at the Rx

Information furnished by Analog Devices is believed to be accurate and reliable. However, no responsibility is assumed by Analog Devices for its use, nor for any infringements of patents or other rights of third parties that may result from its use. Specifications subject to change without notice. No license is granted by implication or otherwise under any patent or patent rights of Analog Devices. Trademarks and registered trademarks are the property of their respective owners.

For price, delivery, and to place orders: Analog Devices, Inc., One Technology Way, P.O. Box 9106, Norwood, MA 02062-9106 Phone: 781-329-4700 • Order online at www.analog.com Application Support: Phone: 1-800-ANALOG-D



## LOW NOISE 1:9 FANOUT BUFFER DC - 8 GHz

### RF Output Stage

The RF output buffer is a CML output stage with 50  $\Omega$  impedance (single-ended) and adjustable power. In parallel mode (the PMODE\_SEL pin = 1), it is at max gain (~ +3 dBm single-ended), whereas under SPI control, the gain can be lowered in ~3 dB steps down to -9 dBm single-ended. See [Reg04\(h\)](#) for more information.

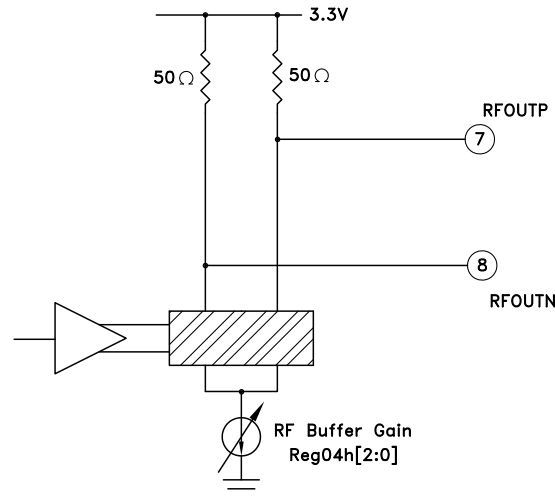


Figure 37. Output Stage

### Serial Port Interface (SPI) Control

The HMC987Lp5E can be controlled via SPI or parallel port control (for more information on parallel control see ["Parallel Port Control"](#)). SPI control offers more flexibility. External pin PMODE-SEL = 1 configures the for parallel port operation, while PMODE-SEL = 0 will enable the SPI control of.

The SPI control is required in order to re-configure the input bias network from its' default state ([Reg03h](#)), to adjust the output power control on the RF/CML buffer, and to individually enable arbitrary LVPECL outputs.

### Operational Modes

Serial Port Interface features:

- a. Compatibility with general serial port protocols that use a shift and strobe approach to communication.
- b. Compatible with HMC multi-Chip solutions, useful to address multiple chips of various types from a single serial port bus.



**LOW NOISE 1:9 FANOUT BUFFER  
DC - 8 GHz**

**Serial Port Write Operation**

**Table 7. SPI Open Mode - Write Timing Characteristics**

Parameter	Conditions	Min.	Typ.	Max.	Units
t <sub>1</sub>	SDI setup time	3			ns
t <sub>2</sub>	SDI hold time	3			ns
t <sub>3</sub>	SEN low duration	10			ns
t <sub>4</sub>	SEN high duration	10			ns
t <sub>5</sub>	SCLK 9 Rising Edge to SEN Rising Edge	10			ns
	Serial port Clock Speed	DC	50		MHz
t <sub>6</sub>	SEN to SCLK Recovery Time	10			ns

A typical WRITE cycle is shown in [Figure 38](#).

- The Master (host) places 9 bit data, d8:d0, MSB first, on SDI on the first 9 falling edges of SCLK.
- The slave ( ) shifts in data on SDI on the first 9 rising edges of SCLK
- Master places 4 bit register address to be written to, r3:r0, MSB first, on the next 4 falling edges of SCLK (10-13)
- Slave shifts the register address bits on the next 4 rising edges of SCLK (10-13).
- Master places 3 bit chip address, a2:a0, MSB first, on the next 3 falling edges of SCLK (14-16). The chip address is fixed at 001.
- Slave shifts the chip address bits on the 3 rising edges of SCLK (14-16).
- Master asserts SEN after the 16th rising edge of SCLK.
- Slave registers the SDI data on the rising edge of SEN.

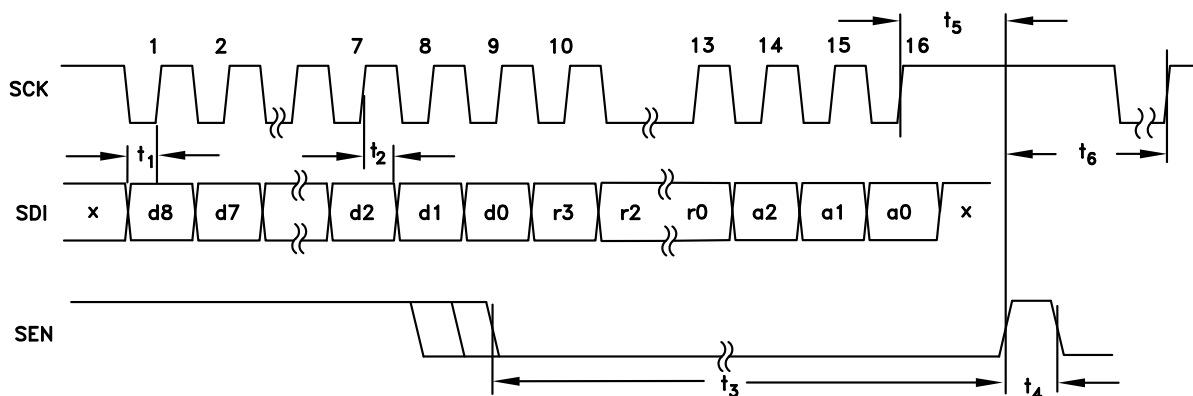


Figure 38. SPI Timing Diagram, Write Operation

**Serial Port Read Operation**

In order ensure correct read operation a pull-down resistor to ground (~1-2kOhm) is recommended on the Serial Data Out line from the part. A typical READ cycle is shown in [Figure 39](#).

In general, SDO line is always active during the WRITE cycle. SDO will contain the data from the addresses pointed to by [Reg00h](#). If [Reg00h](#) is not changed, the same data will always be present on the SDO. If it is desired to READ from a specific address, it is necessary in the first SPI cycle to write the desired address to [Reg00h](#), then in the next SPI cycle the desired data will be available on the SDO.

Information furnished by Analog Devices is believed to be accurate and reliable. However, no responsibility is assumed by Analog Devices for its use, nor for any infringements of patents or other rights of third parties that may result from its use. Specifications subject to change without notice. No license is granted by implication or otherwise under any patent or patent rights of Analog Devices. Trademarks and registered trademarks are the property of their respective owners.

For price, delivery, and to place orders: Analog Devices, Inc., One Technology Way, P.O. Box 9106, Norwood, MA 02062-9106 Phone: 781-329-4700 • Order online at [www.analog.com](http://www.analog.com) Application Support: Phone: 1-800-ANALOG-D

**LOW NOISE 1:9 FANOUT BUFFER  
DC - 8 GHz**

An example of the two cycle procedure to read from any random address is as follows:

The Master (host), on the first 9 falling edges of SCLK places 9 bit data, d8:d0, MSB first, on SDI as shown in [Figure 39](#). d8:d0 should be set to zero. d3:d0 = address of the register to be READ on the next cycle.

- a. The slave () shifts in data on SDI on the first 9 rising edges of SCLK
- b. Master places 4 bit register address , r3:r0, ( the address the WRITE ADDRESS register), MSB first, on the next 4 falling edges of SCLK (10-13). r3:r0=0000.
- c. Slave shifts the register bits on the next 4 rising edges of SCLK (10-13).
- d. Master places 3 bit chip address, a2:a0, MSB first, on the next 3 falling edges of SCLK (14-16). The chip address is fixed at 001.
- e. Slave shifts the chip address bits on the next 3 rising edges of SCLK (14-16).
- f. Master asserts SEN after the 16th rising edge of SCLK.
- g. Slave registers the SDI data on the rising edge of SEN.
- h. Master clears SEN to complete the address transfer of the two part READ cycle.
- i. If we do not wish to write data to the chip at the same time as we do the second cycle , then it is recommended to simply rewrite the same contents on SDI to Register zero on the READ back part of the cycle.
- j. Master places the same SDI data as the previous cycle on the next 16 falling edges of SCLK.
- k. Slave () shifts the SDI data on the next 16 rising edges of SCLK.
- l. Slave places the desired data (i.e. data from address in [Reg00h](#)[3:0]) on SDO on the next 16 rising edges of SCLK.
- m. Master asserts SEN after the 16th rising edge of SCLK to complete the cycle.

Note that if the chip address bits are unrecognized (a2:a0), the slave will tri-state the SDO output to prevent a possible bus contention issue.

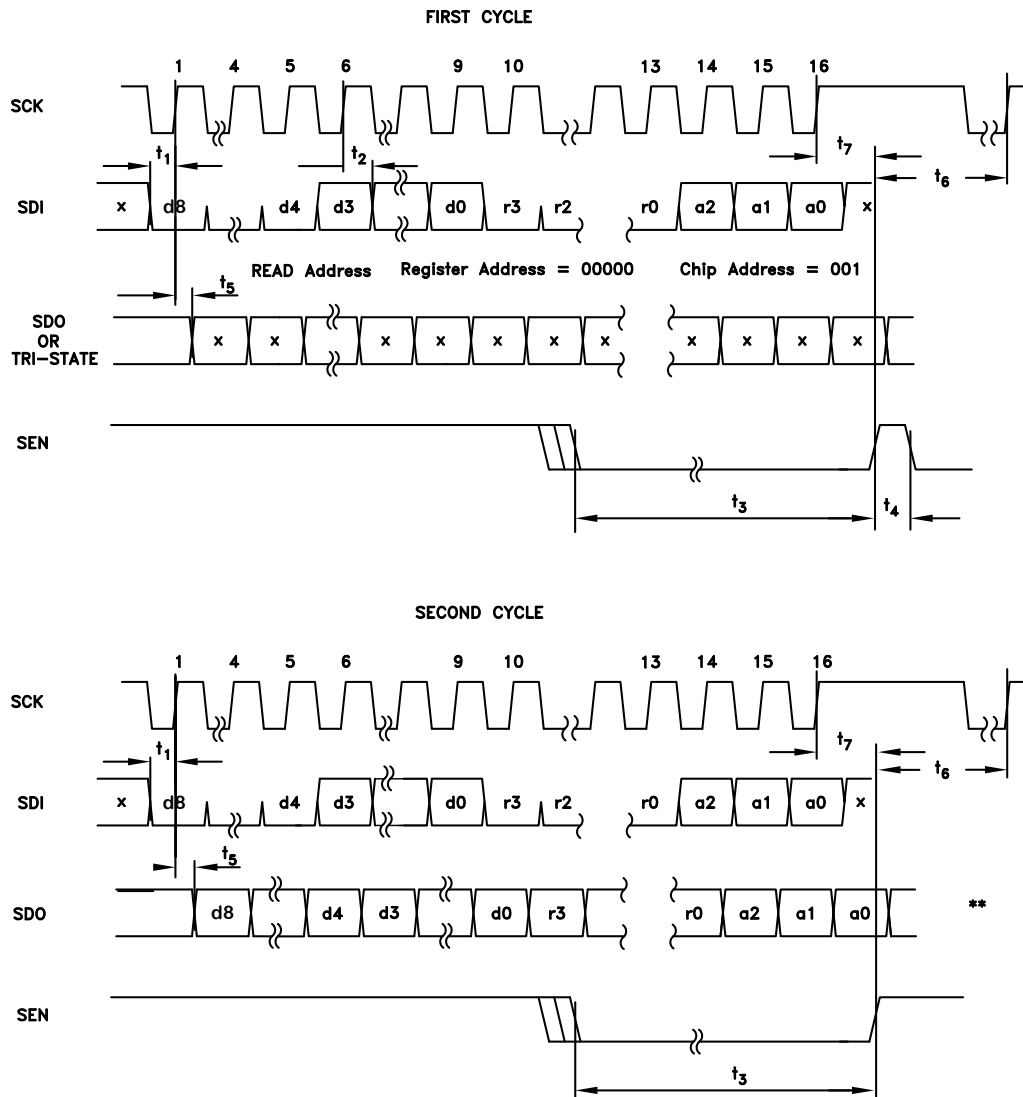


**LOW NOISE 1:9 FANOUT BUFFER  
DC - 8 GHz**

**Table 8. SPI Open Mode - Read Timing Characteristics**

Parameter	Conditions	Min.	Typ.	Max.	Units
t <sub>1</sub>	SDI setup time	3			ns
t <sub>2</sub>	SDI hold time	3			ns
t <sub>3</sub>	SEN low duration	10			ns
t <sub>4</sub>	SEN high duration	10			ns
t <sub>5</sub>	SCLK Rising Edge to SDO time		8.2+0.2ns/pF		ns
t <sub>6</sub>	SEN to SCLK Recovery Time	10			ns
t <sub>7</sub>	SCLK 16 Rising Edge to SEN Rising Edge	10			ns

*Figure 39. SPI Diagram, Read Operation 2- Cycles*



Information furnished by Analog Devices is believed to be accurate and reliable. However, no responsibility is assumed by Analog Devices for its use, nor for any infringements of patents or other rights of third parties that may result from its use. Specifications subject to change without notice. No license is granted by implication or otherwise under any patent or patent rights of Analog Devices. Trademarks and registered trademarks are the property of their respective owners.

For price, delivery, and to place orders: Analog Devices, Inc., One Technology Way, P.O. Box 9106, Norwood, MA 02062-9106 Phone: 781-329-4700 • Order online at [www.analog.com](http://www.analog.com) Application Support: Phone: 1-800-ANALOG-D





### Register Map

**Table 9. Reg00h ID and Read Register**

Bit	Name	Width	Default	Description
[3:0]	Read Control	4		Enter Register Address to be Read From
[4]	Soft Reset	1	0	1: Reset, Registers are set to the Default Condition
[8:0]	Chip ID	9	197hex	Register 00 contains the Chip ID, 197hex

**Table 10. Reg01h Master Enable**

Bit	Name	Width	Default	Description
[0]	Master Chip Enable	1	1	1= Active, 0=Power Down

**Table 11. Reg02h Individual Enables**

Bit	Name	Width	Default	Description
[0]	en1	1	1	Enable Buffer 1
[1]	en2	1	1	Enable Buffer 2
[2]	en3	1	1	Enable Buffer 3
[3]	en4	1	1	Enable Buffer 4
[4]	en5	1	1	Enable Buffer 5
[5]	en6	1	1	Enable Buffer 6
[6]	en7	1	1	Enable Buffer 7
[7]	en8	1	1	Enable Buffer 8

**Table 12. Reg03h Rx Buffer Configuration**

Bit	Name	Width	Default	Description
[0]		1	0	Reserved 0
[1]	DC Internal	1	1	Use internal DC bias string
[2]	DC LVPECL	1	0	Use internal LVPECL Rx termination
[3]	Zin 50	1	1	Input termination select 1 - 50 $\Omega$ single-ended, 100 $\Omega$ differential 0- 150 $\Omega$ single-ended, 300 $\Omega$ differential
[4]	RFBUF XOR	1	0	Toggle (XOR with RFBUFEN pin) the internal RF Buffer on/off
[8:5]		4	0	Reserved 0

**Table 13. Reg04h Gain Select**

Bit	Name	Width	Default	Description
[2:0]	RF Buffer Gain	3	7	0: Disabled 1: -9 dBm single-ended 2: -6 dBm single-ended 3: -3 dBm single-ended 4: 0 dBm single-ended >4: 3 dBm single-ended


**LOW NOISE 1:9 FANOUT BUFFER  
DC - 8 GHz**
**Table 14. Reg05h Biases**

Bit	Name	Width	Default	Description
[1:0]	Reserved	2	2	Reserved - 2
[3:2]	Reserved	2	2	Reserved - 2
[5:4]	Reserved	2	3	Reserved - 3
[8:6]	Reserved	3	0	Reserved - 0