

## 阅读申明

- 1.本站收集的数据手册和产品资料都来自互联网，版权归原作者所有。如读者和版权方有任何异议请及时告之，我们将妥善解决。
- 2.本站提供的中文数据手册是英文数据手册的中文翻译，其目的是协助用户阅读，该译文无法自动跟随原稿更新，同时也可能存在翻译上的不当。建议读者以英文原稿为参考以便获得更精准的信息。
- 3.本站提供的产品资料，来自厂商的技术支持或者使用者的心得体会等，其内容可能存在描述上的差异，建议读者做出适当判断。
- 4.如需与我们联系，请发邮件到marketing@iczoom.com，主题请标有“数据手册”字样。

## Read Statement

1. The datasheets and other product information on the site are all from network reference or other public materials, and the copyright belongs to the original author and original published source. If readers and copyright owners have any objections, please contact us and we will deal with it in a timely manner.
2. The Chinese datasheets provided on the website is a Chinese translation of the English datasheets. Its purpose is for reader's learning exchange only and do not involve commercial purposes. The translation cannot be automatically updated with the original manuscript, and there may also be improper translations. Readers are advised to use the English manuscript as a reference for more accurate information.
3. All product information provided on the website refer to solutions from manufacturers' technical support or users the contents may have differences in description, and readers are advised to take the original article as the standard.
4. If you have any questions, please contact us at marketing@iczoom.com and mark the subject with "Datasheets" .



# 3.3V CMOS 1-TO-10 CLOCK DRIVER

IDT74FCT3807/A

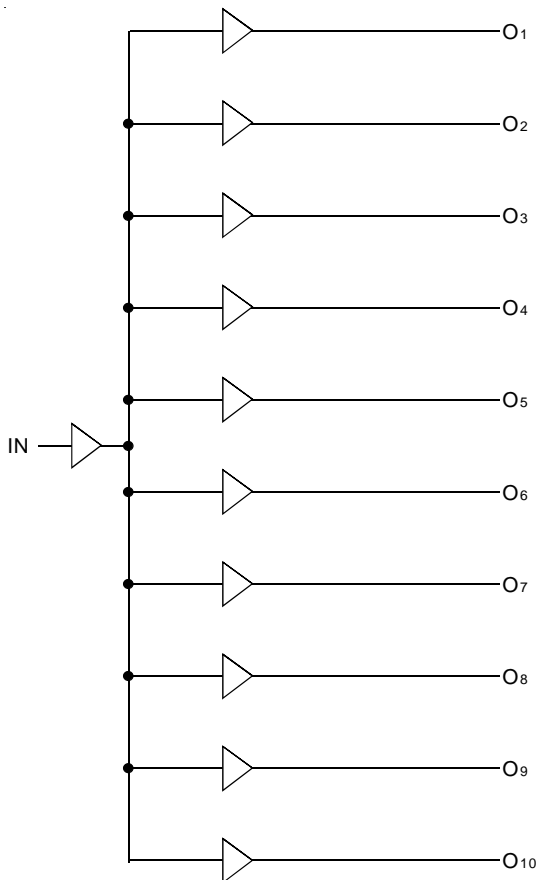
## FEATURES:

- 0.5 MICRON CMOS Technology
- Guaranteed low skew < 350ps (max.)
- Very low duty cycle distortion < 350ps (max.)
- High speed: propagation delay < 3ns (max.)
- Very low CMOS power levels
- TTL compatible inputs and outputs
- 1:10 fanout
- Maximum output rise and fall time < 1.5ns (max.)
- Maximum operating frequency of 133.33MHz
- Low input capacitance: 4.5pF typical
- $V_{CC} = 3.3V \pm 0.3V$
- Inputs can be driven from 3.3V or 5V components
- Available in SSOP, SOIC, and QSOP packages

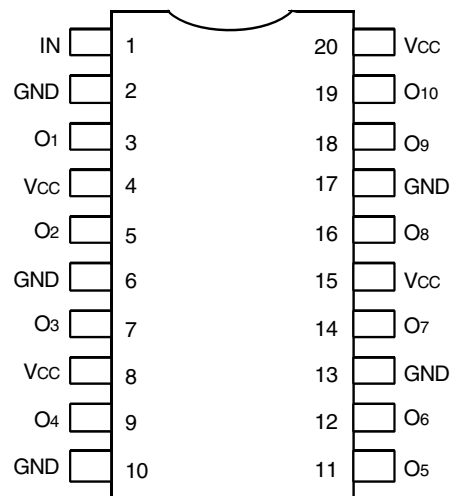
## DESCRIPTION:

The FCT3807/A 3.3V clock driver is built using advanced dual metal CMOS technology. This low skew clock driver offers 1:10 fanout. The large fanout from a single input reduces loading on the preceding driver and provides an efficient clock distribution network. The FCT3807/A offers low capacitance inputs with hysteresis for improved noise margins. Multiple power and grounds reduce noise. Typical applications are clock and signal distribution.

## FUNCTIONAL BLOCK DIAGRAM



## PIN CONFIGURATION



SOIC/ SSOP/ QSOP  
TOP VIEW

The IDT logo is a registered trademark of Integrated Device Technology, Inc.

COMMERCIAL/INDUSTRIAL TEMPERATURE RANGES

OCTOBER 2014

### ABSOLUTE MAXIMUM RATINGS<sup>(1)</sup>

Symbol	Description	Max	Unit
V <sub>TERM</sub> <sup>(2)</sup>	Terminal Voltage with Respect to GND	-0.5 to +4.6	V
V <sub>TERM</sub> <sup>(3)</sup>	Terminal Voltage with Respect to GND	-0.5 to +7	V
V <sub>TERM</sub> <sup>(4)</sup>	Terminal Voltage with Respect to GND	-0.5 to V <sub>CC</sub> +0.5	V
T <sub>STG</sub>	Storage Temperature	-65 to +150	°C
I <sub>OUT</sub>	DC Output Current	-60 to +60	mA

NOTES:

- Stresses greater than those listed under ABSOLUTE MAXIMUM RATINGS may cause permanent damage to the device. This is a stress rating only and functional operation of the device at these or any other conditions above those indicated in the operational sections of this specification is not implied. Exposure to absolute maximum rating conditions for extended periods may affect reliability.
- V<sub>CC</sub> terminals.
- Input terminals.
- Outputs and I/O terminals.

### CAPACITANCE (T<sub>A</sub> = +25°C, f = 1.0MHz)

Symbol	Parameter <sup>(1)</sup>	Conditions	Typ.	Max.	Unit
C <sub>IN</sub>	Input Capacitance	V <sub>IN</sub> = 0V	4.5	6	pF
C <sub>OUT</sub>	Output Capacitance	V <sub>OUT</sub> = 0V	5.5	8	pF

NOTE:

- This parameter is measured at characterization but not tested.

### PIN DESCRIPTION

Pin Names	Description
IN	Clock Inputs
Ox	Clock Outputs

### POWER SUPPLY CHARACTERISTICS

Symbol	Parameter	Test Conditions <sup>(1)</sup>	Min.	Typ. <sup>(2)</sup>	Max.	Unit
ΔI <sub>CC</sub>	Quiescent Power Supply Current TTL Inputs HIGH	V <sub>CC</sub> = Max. V <sub>IN</sub> = V <sub>CC</sub> - 0.6V <sup>(3)</sup>	—	10	30	μA
I <sub>CCD</sub>	Dynamic Power Supply Current <sup>(4)</sup>	V <sub>CC</sub> = Max. Input toggling 50% Duty Cycle Outputs Open	V <sub>IN</sub> = V <sub>CC</sub> V <sub>IN</sub> = GND	—	0.31	0.45 mA/ MHz
I <sub>C</sub>	Total Power Supply Current <sup>(6)</sup>	V <sub>CC</sub> = Max. Input toggling 50% Duty Cycle Outputs Open f <sub>i</sub> = 50MHz	V <sub>IN</sub> = V <sub>CC</sub> V <sub>IN</sub> = GND	—	15.5	22.8 mA
			V <sub>IN</sub> = V <sub>CC</sub> - 0.6V V <sub>IN</sub> = GND	—	15.5	22.8

NOTES:

- For conditions shown as Max. or Min., use appropriate value specified under Electrical Characteristics for the applicable device type.
- Typical values are at V<sub>CC</sub> = 3.3V, +25°C ambient.
- Per TTL driven input (V<sub>IN</sub> = V<sub>CC</sub> - 0.6V); all other inputs at V<sub>CC</sub> or GND.
- This parameter is not directly testable, but is derived for use in Total Power Supply calculations.
- Values for these conditions are examples of the I<sub>C</sub> formula. These limits are guaranteed but not tested.
- I<sub>C</sub> = I<sub>QUIESCENT</sub> + I<sub>INPUTS</sub> + I<sub>DYNAMIC</sub>  
 I<sub>C</sub> = I<sub>CC</sub> + ΔI<sub>CC</sub> D<sub>H</sub>N<sub>T</sub> + I<sub>CCD</sub> (f<sub>i</sub>)  
 I<sub>CC</sub> = Quiescent Current (I<sub>CC1</sub>, I<sub>CC2</sub> and I<sub>CC3</sub>)  
 ΔI<sub>CC</sub> = Power Supply Current for a TTL High Input (V<sub>IN</sub> = V<sub>CC</sub> - 0.6V)  
 D<sub>H</sub> = Duty Cycle for TTL Inputs High  
 N<sub>T</sub> = Number of TTL Inputs at D<sub>H</sub>  
 I<sub>CCD</sub> = Dynamic Current Caused by an Input Transition Pair (HLH or LHL)  
 f<sub>i</sub> = Input Frequency  
 All currents are in milliamps and all frequencies are in megahertz.

## DC ELECTRICAL CHARACTERISTICS OVER OPERATING RANGE

Following Conditions Apply Unless Otherwise Specified

Commercial:  $T_A = 0^\circ\text{C}$  to  $+70^\circ\text{C}$ , Industrial:  $T_A = -40^\circ\text{C}$  to  $+85^\circ\text{C}$ ,  $V_{CC} = 3.3\text{V} \pm 0.3\text{V}$

Symbol	Parameter	Test Conditions <sup>(1)</sup>	Min.	Typ.	Max.	Unit	
$V_{IH}$	Input HIGH Level (Input pins)	Guaranteed Logic HIGH Level	2	—	5.5	V	
	Input HIGH Level (I/O pins)		2	—	$V_{CC} + 0.5$		
$V_{IL}$	Input LOW Level (Input and I/O pins)	Guaranteed Logic LOW Level	-0.5	—	0.8	V	
$I_{IH}$	Input HIGH Current (Input pins)	$V_{CC} = \text{Max.}$	$V_I = 5.5\text{V}$	—	—	$\pm 1$	$\mu\text{A}$
	Input HIGH Current (I/O pins)		$V_I = V_{CC}$	—	—	$\pm 1$	
$I_{IL}$	Input LOW Current (Input pins)	$V_{CC} = \text{Max.}$	$V_I = \text{GND}$	—	—	$\pm 1$	
	Input LOW Current (I/O pins)		$V_I = \text{GND}$	—	—	$\pm 1$	
$I_{OZH}$	High Impedance Output Current (3-State Output Pins)	$V_{CC} = \text{Max.}$	$V_O = V_{CC}$	—	—	$\pm 1$	$\mu\text{A}$
$I_{OZL}$			$V_O = \text{GND}$	—	—	$\pm 1$	
$V_{IK}$	Clamp Diode Voltage	$V_{CC} = \text{Min.}, I_{IN} = -18\text{mA}$	—	-0.7	-1.2	V	
$I_{ODH}$	Output HIGH Current	$V_{CC} = 3.3\text{V}, V_{IN} = V_{IH}$ or $V_{IL}, V_O = 1.5\text{V}^{(3)}$	-36	-60	-110	mA	
$I_{ODL}$	Output LOW Current	$V_{CC} = 3.3\text{V}, V_{IN} = V_{IH}$ or $V_{IL}, V_O = 1.5\text{V}^{(3)}$	50	90	200	mA	
$V_{OH}$	Output HIGH Voltage	$V_{CC} = \text{Min.}$ $V_{IN} = V_{IH}$ or $V_{IL}$	$I_{OH} = -0.1\text{mA}$	$V_{CC} - 0.2$	—	—	V
			$I_{OH} = -8\text{mA}$	$2.4^{(5)}$	3	—	
$V_{OL}$	Output LOW Voltage	$V_{CC} = \text{Min.}$ $V_{IN} = V_{IH}$ or $V_{IL}$	$I_{OL} = 0.1\text{mA}$	—	—	0.2	V
			$I_{OL} = 16\text{mA}$	—	0.2	0.4	
			$I_{OL} = 24\text{mA}$	—	0.3	0.5	
$I_{OFF}$	Input Power Off Leakage	$V_{CC} = 0\text{V}, V_{IN} = 4.5\text{V}$	—	—	$\pm 1$	$\mu\text{A}$	
$I_{OS}$	Short Circuit Current <sup>(4)</sup>	$V_{CC} = \text{Max.}, V_O = \text{GND}^{(3)}$	-60	-135	-240	mA	
$V_H$	Input Hysteresis	—	—	150	—	mV	
$I_{CCL}$	Quiescent Power Supply Current	$V_{CC} = \text{Max.}$ $V_{IN} = \text{GND}$ or $V_{CC}$	—	0.1	10	$\mu\text{A}$	
$I_{CCH}$			—	—	—		
$I_{CCZ}$			—	—	—		

### NOTES:

- For conditions shown as Max. or Min., use appropriate value specified under Electrical Characteristics for the applicable device type.
- Typical values are at  $V_{CC} = 3.3\text{V}, +25^\circ\text{C}$  ambient.
- Not more than one output should be shorted at one time. Duration of the test should not exceed one second.
- This parameter is guaranteed but not tested.
- $V_{OH} = V_{CC} - 0.6\text{V}$  at rated current.

**SWITCHING CHARACTERISTICS OVER OPERATING RANGE - COMMERCIAL<sup>(3,4)</sup>**

Symbol	Parameter	Conditions <sup>(1)</sup>	FCT3807		FCT3807A		Unit
			Min. <sup>(2)</sup>	Max.	Min. <sup>(2)</sup>	Max.	
t <sub>PLH</sub> t <sub>PHL</sub>	Propagation Delay	50Ω to V <sub>CC</sub> /2 C <sub>L</sub> = 10pF	1.5	3.5	1.5	3	ns
t <sub>R</sub>	Output Rise Time (0.8 to 2V)	(See figure 1)	—	1.5	—	1.5	ns
t <sub>F</sub>	Output Fall Time (0.8 to 2V)	or 10Ω AC termination,	—	1.5	—	1.5	ns
tsk(O)	Output skew: skew between outputs of same package (same transition)	C <sub>L</sub> = 50pF	—	0.5	—	0.35	ns
tsk(P)	Pulse skew: skew between opposite transitions of same output ( t <sub>PHL</sub> – t <sub>PLH</sub>  )	(See figure 2) f ≤ 100MHz	—	0.5	—	0.35	ns
tsk(T)	Package skew: skew between outputs of different packages at same power supply voltage, temperature, package type and speed grade	Outputs connected in groups of two	—	0.9	—	0.65	ns

Symbol	Parameter	Conditions <sup>(1)</sup>	FCT3807		FCT3807A		Unit
			Min. <sup>(2)</sup>	Max.	Min. <sup>(2)</sup>	Max.	
t <sub>PLH</sub> t <sub>PHL</sub>	Propagation Delay	C <sub>L</sub> = 30pF f ≤ 67MHz	1.5	4.5	1.5	4	ns
t <sub>R</sub>	Output Rise Time (0.8 to 2V)	(See figure 3)	—	1.5	—	1.5	ns
t <sub>F</sub>	Output Fall Time (0.8 to 2V)		—	1.5	—	1.5	ns
tsk(O)	Output skew: skew between outputs of same package (same transition)		—	0.5	—	0.35	ns
tsk(P)	Pulse skew: skew between opposite transitions of same output ( t <sub>PHL</sub> – t <sub>PLH</sub>  )		—	0.5	—	0.35	ns
tsk(T)	Package skew: skew between outputs of different packages at same power supply voltage, temperature, package type and speed grade		—	1	—	0.75	ns

Symbol	Parameter	Conditions <sup>(1)</sup>	FCT3807		FCT3807A		Unit
			Min. <sup>(2)</sup>	Max.	Min. <sup>(2)</sup>	Max.	
t <sub>PLH</sub> t <sub>PHL</sub>	Propagation Delay	C <sub>L</sub> = 50pF f ≤ 40MHz	1.5	4.8	1.5	4.3	ns
t <sub>R</sub>	Output Rise Time (0.8 to 2V)	(See figure 4)	—	1.5	—	1.5	ns
t <sub>F</sub>	Output Fall Time (0.8 to 2V)		—	1.5	—	1.5	ns
tsk(O)	Output skew: skew between outputs of same package (same transition)		—	0.5	—	0.35	ns
tsk(P)	Pulse skew: skew between opposite transitions of same output ( t <sub>PHL</sub> – t <sub>PLH</sub>  )		—	0.5	—	0.35	ns
tsk(T)	Package skew: skew between outputs of different packages at same power supply voltage, temperature, package type and speed grade		—	1	—	0.75	ns

NOTES:

1. See test circuits and waveforms.
2. Minimum limits are guaranteed but not tested on Propagation Delays.
3. t<sub>PLH</sub>, t<sub>PHL</sub>, tsk(t) are production tested. All other parameters guaranteed but not production tested.
4. Propagation delay range indicated by Min. and Max. limit is due to V<sub>CC</sub>, operating temperature and process parameters. These propagation delay limits do not imply skew.

**SWITCHING CHARACTERISTICS OVER OPERATING RANGE - INDUSTRIAL (3,4)**

Symbol	Parameter	Conditions <sup>(1)</sup>	FCT3807		FCT3807A		Unit
			Min. <sup>(2)</sup>	Max.	Min. <sup>(2)</sup>	Max.	
t <sub>PLH</sub> t <sub>PHL</sub>	Propagation Delay	50Ω to V <sub>CC</sub> /2 C <sub>L</sub> = 10pF	1.5	3.5	1.5	3	ns
t <sub>R</sub>	Output Rise Time (0.8 to 2V)	(See figure 1)	—	1.5	—	1.5	ns
t <sub>F</sub>	Output Fall Time (0.8 to 2V)	or 50Ω AC termination,	—	1.5	—	1.5	ns
tsk(O)	Output skew: skew between outputs of same package (same transition)	C <sub>L</sub> = 10pF	—	0.6	—	0.45	ns
tsk(P)	Pulse skew: skew between opposite transitions of same output ( t <sub>PHL</sub> – t <sub>PLH</sub>  )	(See figure 2) f ≤ 100MHz	—	0.6	—	0.45	ns
tsk(T)	Package skew: skew between outputs of different packages at same power supply voltage, temperature, package type and speed grade	Outputs connected in groups of two	—	0.9	—	0.65	ns

Symbol	Parameter	Conditions <sup>(1)</sup>	FCT3807		FCT3807A		Unit
			Min. <sup>(2)</sup>	Max.	Min. <sup>(2)</sup>	Max.	
t <sub>PLH</sub> t <sub>PHL</sub>	Propagation Delay	C <sub>L</sub> = 30pF f ≤ 67MHz	1.5	4.5	1.5	4	ns
t <sub>R</sub>	Output Rise Time (0.8 to 2V)	(See figure 3)	—	1.5	—	1.5	ns
t <sub>F</sub>	Output Fall Time (0.8 to 2V)		—	1.5	—	1.5	ns
tsk(O)	Output skew: skew between outputs of same package (same transition)		—	0.6	—	0.45	ns
tsk(P)	Pulse skew: skew between opposite transitions of same output ( t <sub>PHL</sub> – t <sub>PLH</sub>  )		—	0.6	—	0.45	ns
tsk(T)	Package skew: skew between outputs of different packages at same power supply voltage, temperature, package type and speed grade		—	1	—	0.75	ns

Symbol	Parameter	Conditions <sup>(1)</sup>	FCT3807		FCT3807A		Unit
			Min. <sup>(2)</sup>	Max.	Min. <sup>(2)</sup>	Max.	
t <sub>PLH</sub> t <sub>PHL</sub>	Propagation Delay	C <sub>L</sub> = 50pF f ≤ 40MHz	1.5	4.8	1.5	4.3	ns
t <sub>R</sub>	Output Rise Time (0.8 to 2V)	(See figure 4)	—	1.5	—	1.5	ns
t <sub>F</sub>	Output Fall Time (0.8 to 2V)		—	1.5	—	1.5	ns
tsk(O)	Output skew: skew between outputs of same package (same transition)		—	0.6	—	0.45	ns
tsk(P)	Pulse skew: skew between opposite transitions of same output ( t <sub>PHL</sub> – t <sub>PLH</sub>  )		—	0.6	—	0.45	ns
tsk(T)	Package skew: skew between outputs of different packages at same power supply voltage, temperature, package type and speed grade		—	1	—	0.75	ns

NOTES:

1. See test circuits and waveforms.
2. Minimum limits are guaranteed but not tested on Propagation Delays.
3. t<sub>PLH</sub>, t<sub>PHL</sub>, tsk(t) are production tested. All other parameters guaranteed but not production tested.
4. Propagation delay range indicated by Min. and Max. limit is due to V<sub>CC</sub>, operating temperature and process parameters. These propagation delay limits do not imply skew.

TEST CIRCUITS

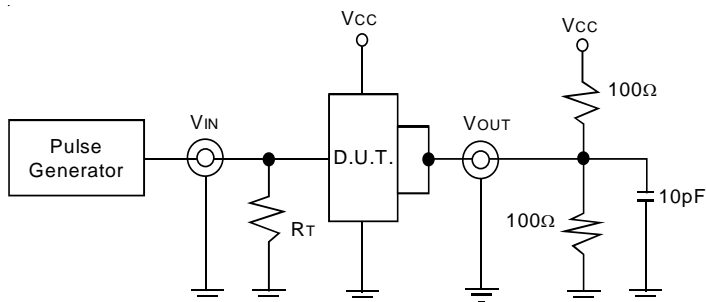


Figure 1.  $Z_o = 50\Omega$  to  $V_{cc}/2$ ,  $C_L = 10pF$

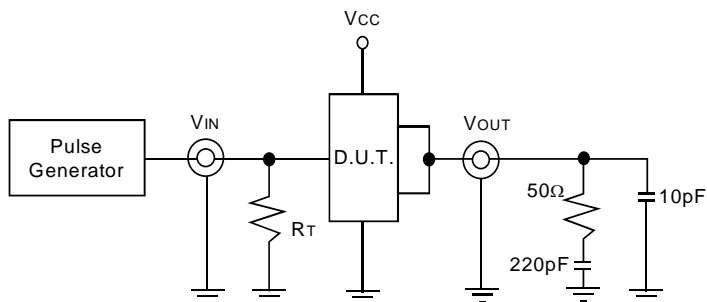


Figure 2.  $Z_o = 50\Omega$  AC Termination,  $C_L = 10pF$

The capacitor value for ac termination is determined by the operating frequency. For very low frequencies a higher capacitor value should be selected.

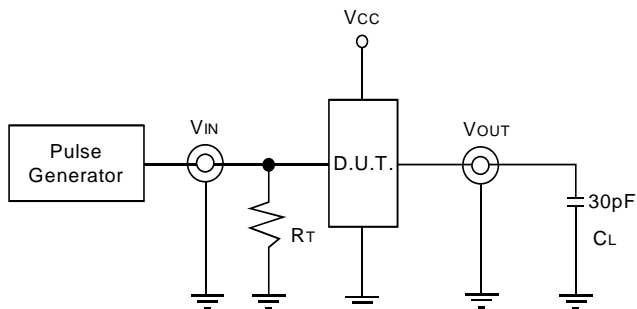


Figure 3.  $C_L = 30pF$  Circuit

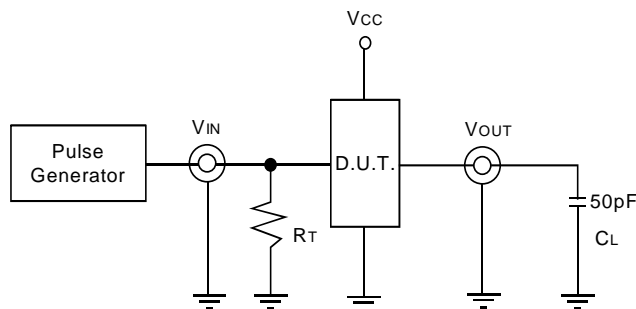


Figure 3.  $C_L = 50pF$  Circuit

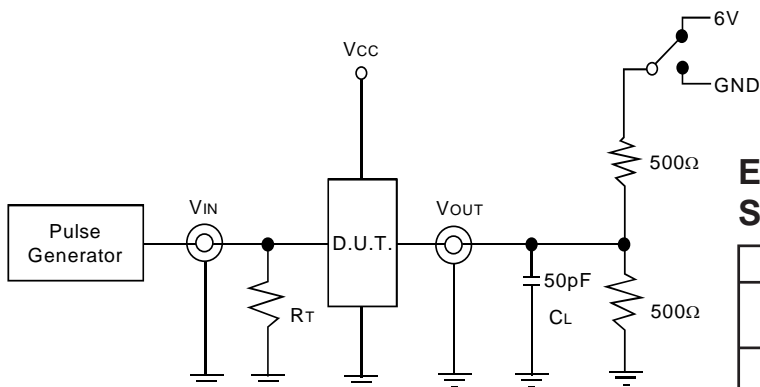


Figure 5. Enable and Disable Time Circuit

ENABLE AND DISABLE TIME SWITCH POSITION

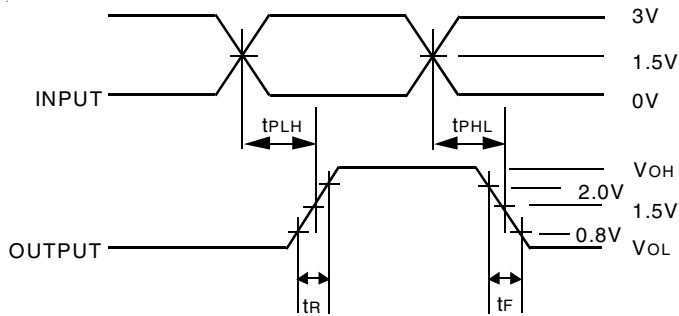
Test	Switch
Disable LOW Enable LOW	6V
Disable HIGH Enable HIGH	GND

DEFINITIONS:

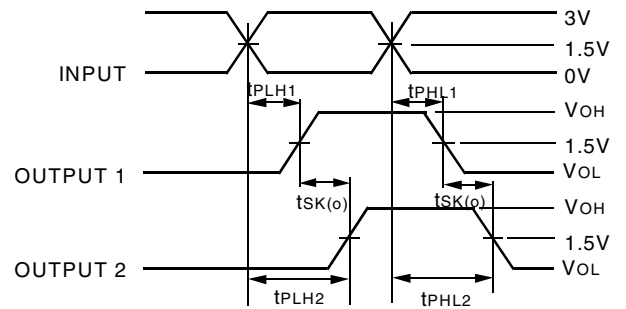
CL = Load capacitance: includes jig and probe capacitance.

RT = Termination resistance: should be equal to  $Z_{OUT}$  of the Pulse Generator.

## TEST WAVEFORMS

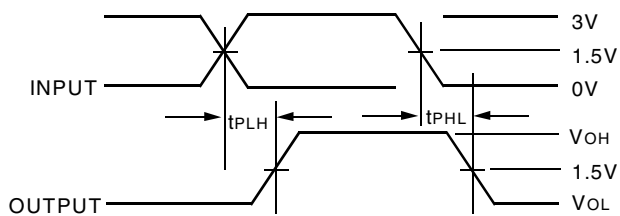


Package Delay



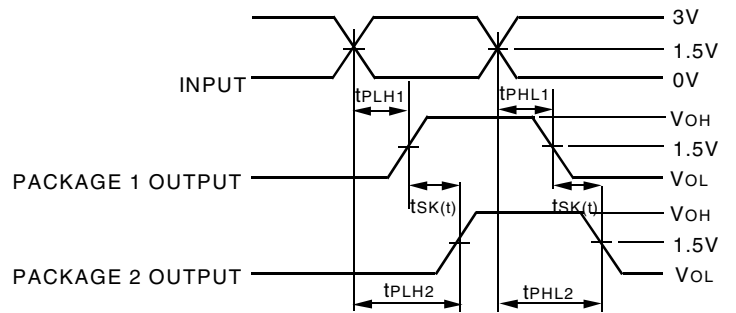
$$t_{SK(O)} = |t_{PLH2} - t_{PLH1}| \text{ or } |t_{PHL2} - t_{PHL1}|$$

Output Skew -  $t_{SK(O)}$



$$t_{SK(P)} = |t_{PHL} - t_{PLH}|$$

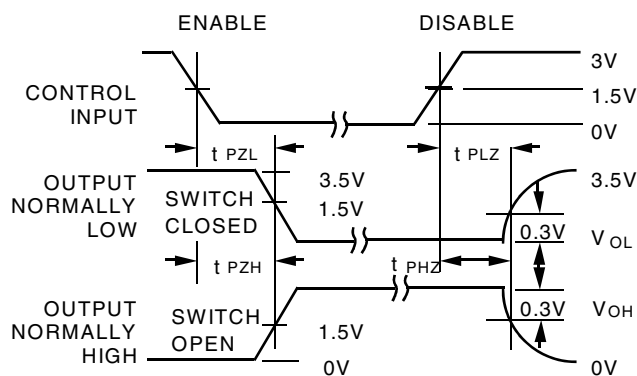
Pulse Skew -  $t_{SK(P)}$



$$t_{SK(T)} = |t_{PLH2} - t_{PLH1}| \text{ or } |t_{PHL2} - t_{PHL1}|$$

Package Skew -  $t_{SK(T)}$

Package 1 and Package 2 are same device type and speed grade



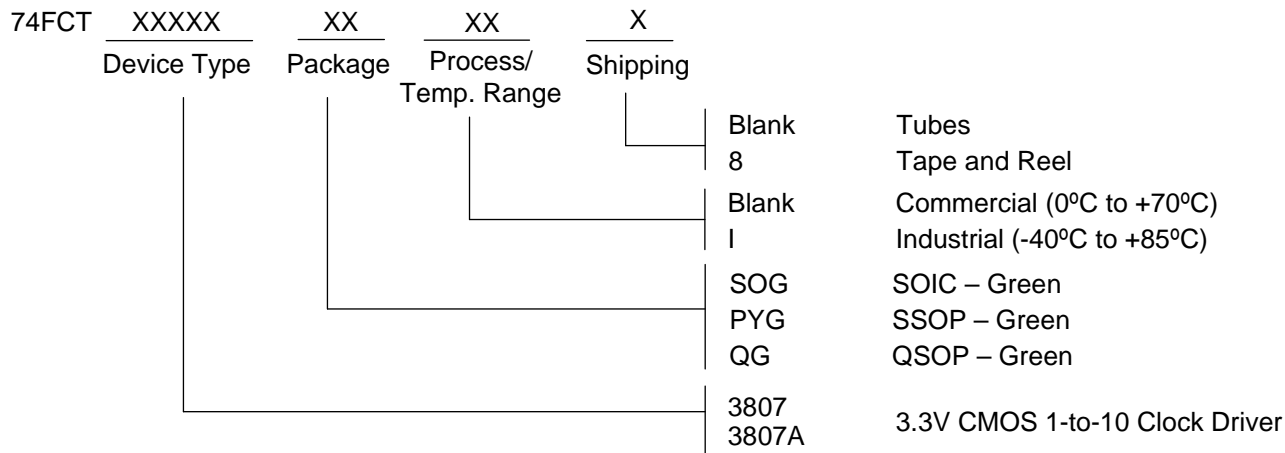
Enable and Disable Times

NOTES:

1. Diagram shown for input Control Enable-LOW and input Control Disable-HIGH
2. Pulse Generator for All Pulses:  $f \leq 1.0\text{MHz}$ ;  $t_r \leq 2.5\text{ns}$ ;  $t_f \leq 2.5\text{ns}$



### ORDERING INFORMATION



### REVISION HISTORY

October 16, 2014 Updated ordering information to include Tubes/Tape and Reel



**CORPORATE HEADQUARTERS**  
 6024 Silver Creek Valley Road  
 San Jose, CA 95138

**for SALES:**  
 800-345-7015 or 408-284-8200  
 fax: 408-284-2775  
 www.idt.com

**for Tech Support:**  
 clockhelp@idt.com