

阅读申明

- 1.本站收集的数据手册和产品资料都来自互联网，版权归原作者所有。如读者和版权方有任何异议请及时告之，我们将妥善解决。
- 2.本站提供的中文数据手册是英文数据手册的中文翻译，其目的是协助用户阅读，该译文无法自动跟随原稿更新，同时也可能存在翻译上的不当。建议读者以英文原稿为参考以便获得更精准的信息。
- 3.本站提供的产品资料，来自厂商的技术支持或者使用者的心得体会等，其内容可能存在描述上的差异，建议读者做出适当判断。
- 4.如需与我们联系，请发邮件到marketing@iczoom.com，主题请标有“数据手册”字样。

Read Statement

1. The datasheets and other product information on the site are all from network reference or other public materials, and the copyright belongs to the original author and original published source. If readers and copyright owners have any objections, please contact us and we will deal with it in a timely manner.
2. The Chinese datasheets provided on the website is a Chinese translation of the English datasheets. Its purpose is for reader's learning exchange only and do not involve commercial purposes. The translation cannot be automatically updated with the original manuscript, and there may also be improper translations. Readers are advised to use the English manuscript as a reference for more accurate information.
3. All product information provided on the website refer to solutions from manufacturers' technical support or users the contents may have differences in description, and readers are advised to take the original article as the standard.
4. If you have any questions, please contact us at marketing@iczoom.com and mark the subject with "Datasheets" .



2.5V CMOS DUAL 1-TO-5 CLOCK DRIVER

IDT49FCT20805

FEATURES:

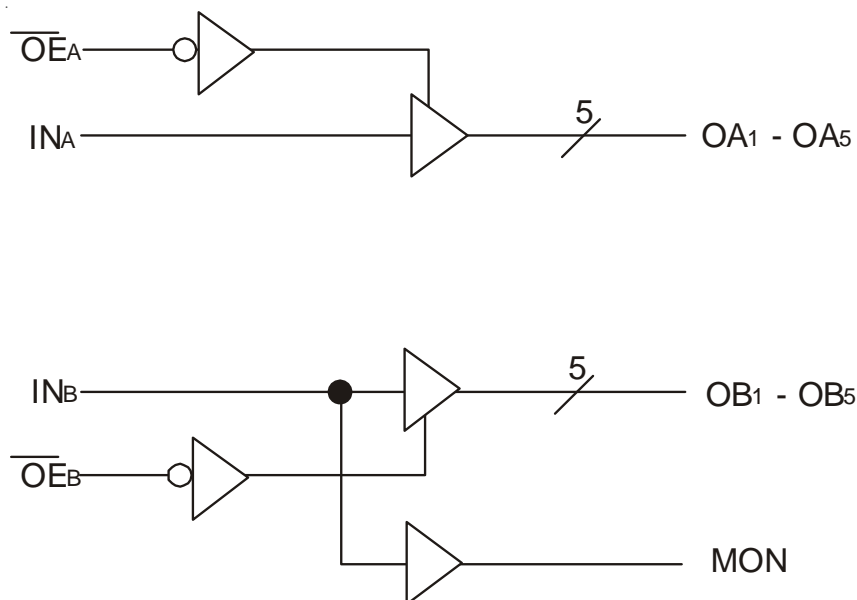
- Advanced CMOS Technology
- Guaranteed low skew < 200ps (max.)
- Very low propagation delay < 2.5ns (max)
- Very low duty cycle distortion < 270ps (max)
- Very low CMOS power levels
- Operating frequency up to 166MHz
- TTL compatible inputs and outputs
- Two independent output banks with 3-state control
- 1:5 fanout per bank
- "Heartbeat" monitor output
- $V_{CC} = 2.5V \pm 0.2V$
- Available in SSOP and QSOP packages

DESCRIPTION:

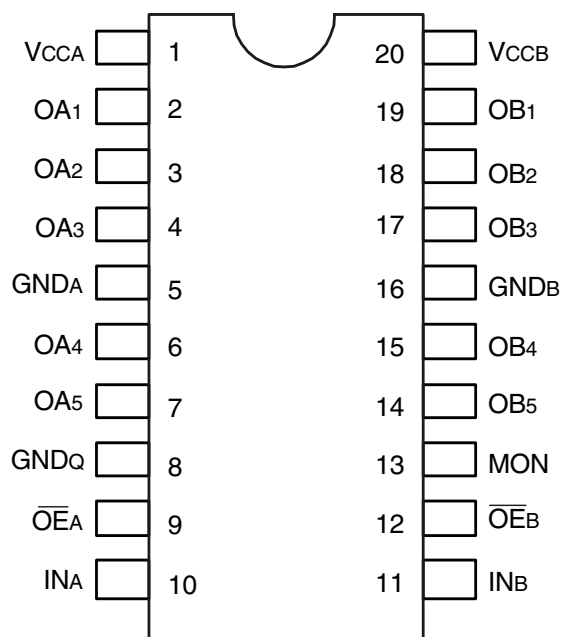
The FCT20805 is a 2.5 volt clock driver built using advanced CMOS technology. The device consists of two banks of drivers, each with a 1:5 fanout and its own output enable control. The device has a "heartbeat" monitor for diagnostics and PLL driving. The MON output is identical to all other outputs and complies with the output specifications in this document. The FCT20805 offers low capacitance inputs.

The FCT20805 is designed for high speed clock distribution where signal quality and skew are critical. The FCT20805 also allows single point-to-point transmission line driving in applications such as address distribution, where one signal must be distributed to multiple receivers with low skew and high signal quality.

FUNCTIONAL BLOCK DIAGRAM



PIN CONFIGURATIONS



SSOP/ QSOP
TOP VIEW

ABSOLUTE MAXIMUM RATINGS⁽¹⁾

Symbol	Description	Max	Unit
V _{CC}	Input Power Supply Voltage	-0.5 to +4.6	V
V _I	Input Voltage	-0.5 to +5.5	V
V _O	Output Voltage	-0.5 to V _{CC} +0.5	V
T _J	Junction Temperature	150	°C
T _{STG}	Storage Temperature	-65 to +165	°C

NOTE:

- Stresses greater than those listed under ABSOLUTE MAXIMUM RATINGS may cause permanent damage to the device. This is a stress rating only and functional operation of the device at these or any other conditions above those indicated in the operational sections of this specification is not implied. Exposure to absolute maximum rating conditions for extended periods may affect reliability.

CAPACITANCE (T_A = +25°C, f = 1.0MHz)

Symbol	Parameter ⁽¹⁾	Conditions	Typ.	Max.	Unit
C _{IN}	Input Capacitance	V _{IN} = 0V	3	4	pF
C _{OUT}	Output Capacitance	V _{OUT} = 0V	—	6	pF

NOTE:

- This parameter is measured at characterization but not tested.

PIN DESCRIPTION

Pin Names	Description
OEA, OEB	3-State Output Enable Inputs (Active LOW)
INA, INB	Clock Inputs
OAn, OBn	Clock Outputs
MON	Monitor Output

FUNCTION TABLE⁽¹⁾

Inputs		Outputs	
OEA, OEB	INA, INB	OAn, OBn	MON
L	L	L	L
L	H	H	H
H	L	Z	L
H	H	Z	H

NOTE:

- H = HIGH
L = LOW
Z = High-Impedance

DC ELECTRICAL CHARACTERISTICS OVER OPERATING RANGE

Following Conditions Apply Unless Otherwise Specified

Industrial: $T_A = -40^{\circ}\text{C}$ to $+85^{\circ}\text{C}$, $V_{CC} = 2.5\text{V} \pm 0.2\text{V}$

Symbol	Parameter	Test Conditions ⁽¹⁾		Min.	Typ. ⁽²⁾	Max.	Unit
V_{IH}	Input HIGH Level			1.7	—	5.5	V
V_{IL}	Input LOW Level			-0.5	—	0.7	V
I_{IH}	Input HIGH Current	$V_{CC} = \text{Max.}$	$V_I = 5.5\text{V}$	—	—	± 1	μA
I_{IL}	Input LOW Current	$V_{CC} = \text{Max.}$	$V_I = \text{GND}$	—	—	± 1	
I_{OZH}	High Impedance Output Current	$V_{CC} = \text{Max.}$	$V_O = V_{CC}$	—	—	± 1	
I_{OZL}	(3-State Outputs Pins)		$V_O = \text{GND}$	—	—	± 1	
V_{IK}	Clamp Diode Voltage	$V_{CC} = \text{Min.}, I_{IN} = -18\text{mA}$		—	-0.7	-1.2	V
I_{ODH}	Output HIGH Current	$V_{CC} = 2.5\text{V}, V_{IN} = V_{IH}$ or $V_{IL}, V_O = 1.25\text{V}^{(3,4)}$		-15	-35	-90	mA
I_{ODL}	Output LOW Current	$V_{CC} = 2.5\text{V}, V_{IN} = V_{IH}$ or $V_{IL}, V_O = 1.25\text{V}^{(3,4)}$		25	55	100	mA
I_{OS}	Short Circuit Current	$V_{CC} = \text{Max.}, V_O = \text{GND}^{(3,4)}$		-30	-50	-120	mA
V_{OH}	Output HIGH Voltage	$V_{CC} = \text{Min.}$ $V_{IN} = V_{IH}$ or V_{IL}	$I_{OH} = -8\text{mA}$	1.7 ⁽⁵⁾	—	—	V
			$I_{OH} = -100\mu\text{A}$	$V_{CC} - 0.2$	—	—	
V_{OL}	Output LOW Voltage	$V_{CC} = \text{Min.}$ $V_{IN} = V_{IH}$ or V_{IL}	$I_{OL} = 8\text{mA}$	—	0.2	0.4	V
			$I_{OL} = 100\mu\text{A}$	—	—	0.2	

NOTES:

1. For conditions shown as Max. or Min., use appropriate value specified under Electrical Characteristics for the applicable device type.
2. Typical values are at $V_{CC} = 2.5\text{V}$, 25°C ambient.
3. Not more than one output should be shorted at one time. Duration of the test should not exceed one second.
4. This parameter is guaranteed but not tested.
5. $V_{OH} = V_{CC} - 0.6\text{V}$ at rated current.

POWER SUPPLY CHARACTERISTICS

Symbol	Parameter	Test Conditions ⁽¹⁾		Min.	Typ. ⁽²⁾	Max.	Unit
I _{CC} I _{CC} H I _{CC} Z	Quiescent Power Supply Current	V _{CC} = Max. V _{IN} = GND or V _{CC}		—	0.1	20	μA
ΔI _{CC}	Power Supply Current per Input HIGH	V _{CC} = Max. V _{IN} = V _{CC} - 0.6V		—	35	250	μA
I _{CCD}	Dynamic Power Supply Current per Output ⁽³⁾	V _{CC} = Max. C _L = 15pF All Outputs Toggling	V _{IN} = V _{CC} V _{IN} = GND	—	65	100	μA/MHz
I _C	Total Power Supply Current ⁽⁴⁾	V _{CC} = Max. C _L = 15pF All Outputs Toggling f _i = 133MHz	V _{IN} = V _{CC} V _{IN} = GND V _{IN} = V _{CC} - 0.6V V _{IN} = GND	—	100	125	mA
		V _{CC} = Max. C _L = 15pF All Outputs Toggling f _i = 166MHz	V _{IN} = V _{CC} V _{IN} = GND V _{IN} = V _{CC} - 0.6V V _{IN} = GND	—	115	150	
		V _{CC} = Max. C _L = 15pF All Outputs Toggling f _i = 133MHz	V _{IN} = V _{CC} V _{IN} = GND V _{IN} = V _{CC} - 0.6V V _{IN} = GND	—	100	125	
		V _{CC} = Max. C _L = 15pF All Outputs Toggling f _i = 166MHz	V _{IN} = V _{CC} V _{IN} = GND V _{IN} = V _{CC} - 0.6V V _{IN} = GND	—	115	150	

NOTES:

1. For conditions shown as Max. or Min., use appropriate value specified under Electrical Characteristics for the applicable device type.

2. Typical values are at V_{CC} = 2.5V, +25°C ambient.

3. This parameter is not directly testable, but is derived for use in Total Power Supply calculations.

4. I_C = I_{QUIESCENT} + I_{INPUTS} + I_{DYNAMIC}

I_C = I_{CC} + ΔI_{CC} D_HN_T + I_{CCD} (f_oN_o)

I_{CC} = Quiescent Current (I_{CC}L, I_{CC}H and I_{CC}Z)

ΔI_{CC} = Power Supply Current for a TTL High Input (V_{IN} = V_{CC} - 0.6V)

D_H = Duty Cycle for TTL Inputs High

N_T = Number of TTL Inputs at D_H

I_{CCD} = Dynamic Current Caused by an Input Transition Pair (HLH or LHL)

f_o = Output Frequency

N_o = Number of Outputs at f_o

SWITCHING CHARACTERISTICS OVER OPERATING RANGE^(3,4)

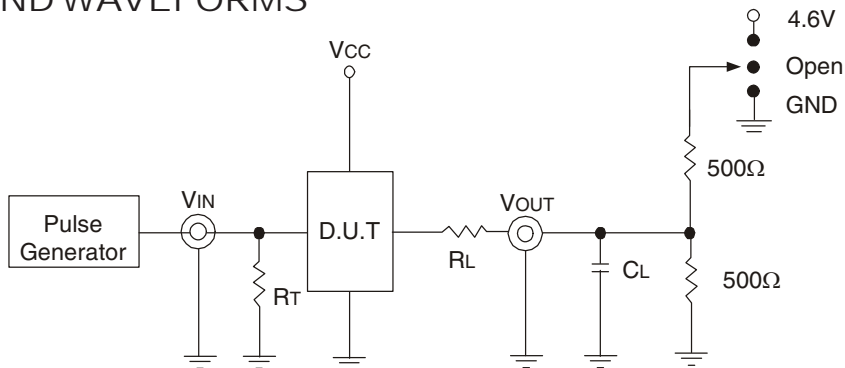
Symbol	Parameter	Conditions ⁽¹⁾	Min. ⁽²⁾	Max.	Unit
t _{PLH}	Propagation Delay	CL = 15pF f ≤ 133MHz	1	3	ns
t _{PHL}	INA to OAn, INb to OBn				
t _R	Output Rise Time (0.8V to 2V)		—	1.5	ns
t _F	Output Fall Time (2V to 0.8V)		—	1.5	ns
t _{SK(O)}	Same device output pin to pin skew ⁽⁵⁾		—	270	ps
t _{SK(P)}	Pulse skew ^(6,9)		—	270	ps
t _{SK(PP)}	Part to part skew ⁽⁷⁾		—	550	ps
t _{PZL}	Output Enable Time		—	5.2	ns
t _{PZH}	OEA to OAn, OEB to OBn				
t _{PLZ}	Output Disable Time		—	5.2	ns
t _{PHZ}	OEA to OAn, OEB to OBn				
f _{MAX}	Input Frequency		—	133	MHz

Symbol	Parameter	Conditions ^(1,8)	Min. ⁽²⁾	Max.	Unit
t _{PLH}	Propagation Delay	CL = 15pF 133MHz ≤ f ≤ 166MHz	0.5	2.5	ns
t _{PHL}	INA to OAn, INb to OBn				
t _R	Output Rise Time (0.7V to 1.7V)		—	1.25	ns
t _F	Output Fall Time (1.7V to 0.7V)		—	1.25	ns
t _{SK(O)}	Same device output pin to pin skew ⁽⁵⁾		—	200	ps
t _{SK(P)}	Pulse skew ^(6,9)		—	270	ps
t _{SK(PP)}	Part to part skew ⁽⁷⁾		—	550	ps
t _{PZL}	Output Enable Time		—	5.2	ns
t _{PZH}	OEA to OAn, OEB to OBn				
t _{PLZ}	Output Disable Time		—	5.2	ns
t _{PHZ}	OEA to OAn, OEB to OBn				
f _{MAX}	Input Frequency		—	166	MHz

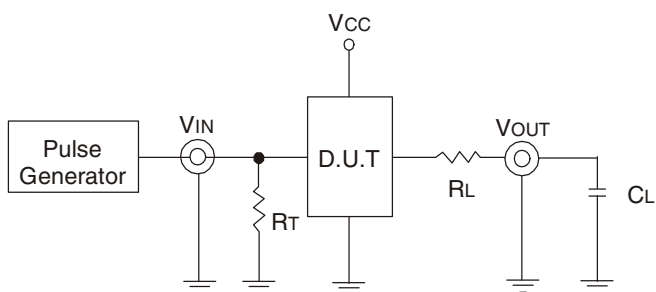
NOTES:

- See test circuits and waveforms.
- Minimum limits are guaranteed but not tested on Propagation Delays.
- t_{PLH} and t_{PHL} are production tested. All other parameters guaranteed but not production tested.
- Propagation delay range indicated by Min. and Max. limit is due to V_{CC}, operating temperature and process parameters. These propagation delay limits do not imply skew.
- Skew measured between all outputs under identical transitions and load conditions.
- Skew measured is difference between propagation delay times t_{PHL} and t_{PLH} of same outputs under identical load conditions.
- Part to part skew for all outputs given identical transitions and load conditions at identical V_{CC} levels and temperature.
- Airflow of 1m/s is recommended for frequencies above 133MHz.
- This parameter is measured using f = 1MHz.

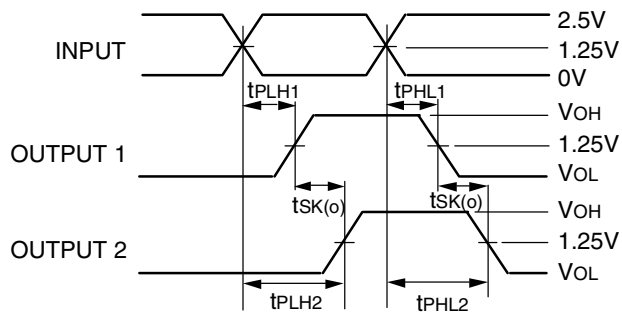
TEST CIRCUITS AND WAVEFORMS



Enable and Disable Time Circuit



CL = 15pF Test Circuit



$$t_{SK(o)} = |t_{PLH2} - t_{PLH1}| \text{ or } |t_{PHL2} - t_{PHL1}|$$

Output Skew - $t_{SK(O)}$

SWITCH POSITION

Test	Switch
Disable Low Enable Low	4.6V
Disable High Enable High	GND

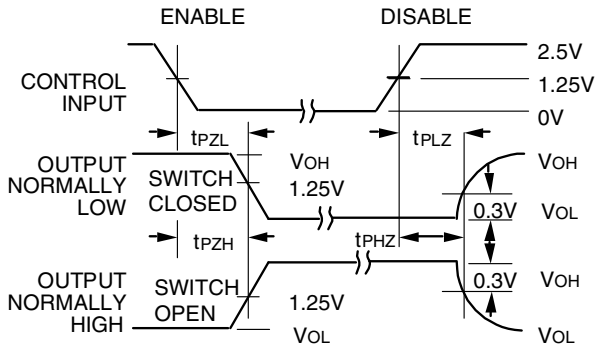
TEST CONDITIONS

Symbol	VCC = 2.5V ±0.2V	Unit
CL	15	pF
RT	Zout of pulse generator	Ω
RL	33	Ω
tr / tf	1 (0V to 2.5V or 2.5V to 0V)	ns

DEFINITIONS:

CL = Load capacitance: includes jig and probe capacitance.
 RT = Termination resistance: should be equal to Zout of the Pulse Generator.
 tr / tf = Rise/Fall time of the input stimulus from the Pulse Generator.

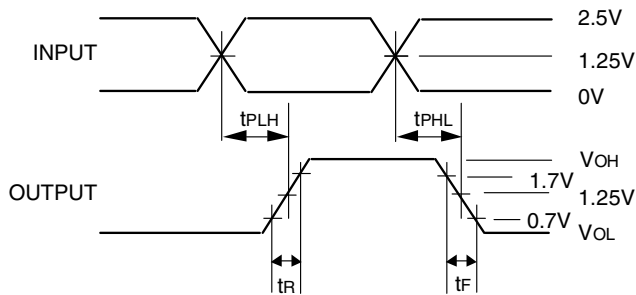
TEST CIRCUITS AND WAVEFORMS



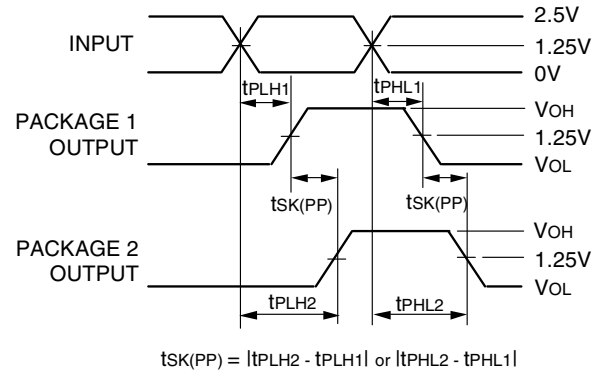
Enable and Disable Times

NOTE:

1. Diagram shown for input Control Enable-LOW and input Control Disable-HIGH

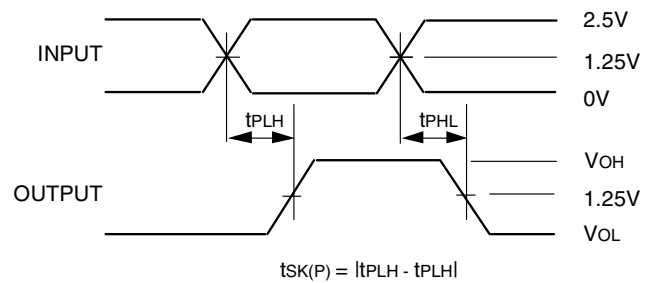


Propagation Delay



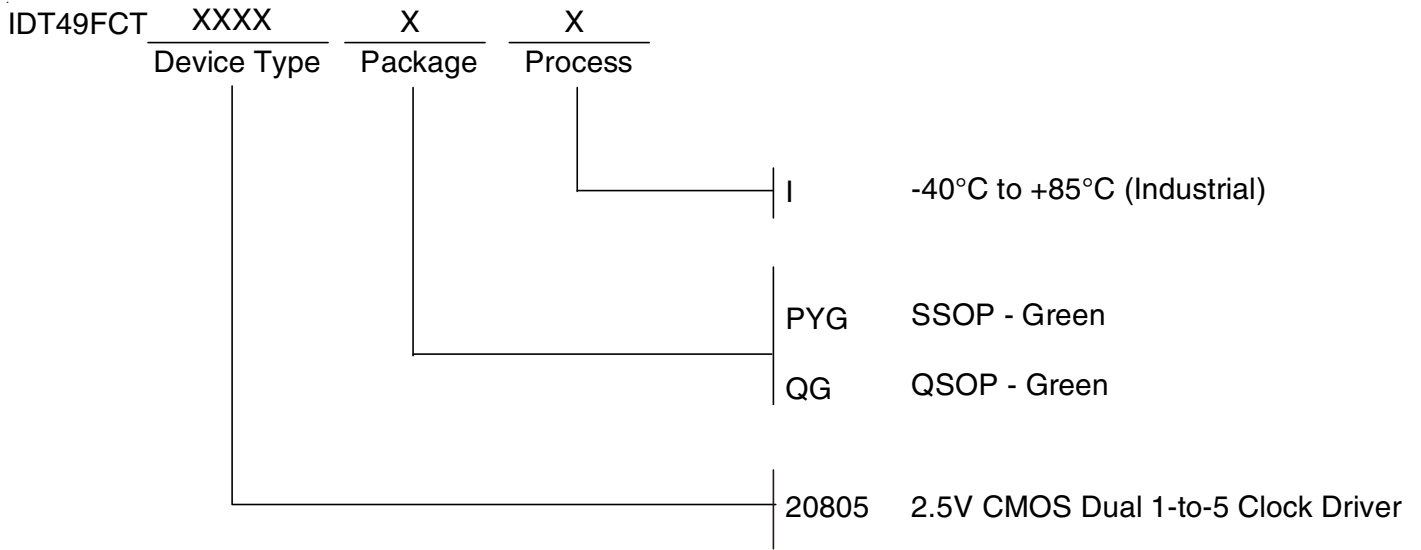
Part-to-Part Skew - tsk(PP)

Part-to-Part Skew is for the same package and speed grade.



Pulse Skew

ORDERING INFORMATION



CORPORATE HEADQUARTERS
6024 Silver Creek Valley Road
San Jose, CA 95138

for SALES:
800-345-7015 or 408-284-8200
fax: 408-284-2775
www.idt.com

for Tech Support:
clockhelp@idt.com