

阅读申明

- 1.本站收集的数据手册和产品资料都来自互联网，版权归原作者所有。如读者和版权方有任何异议请及时告之，我们将妥善解决。
- 2.本站提供的中文数据手册是英文数据手册的中文翻译，其目的是协助用户阅读，该译文无法自动跟随原稿更新，同时也可能存在翻译上的不当。建议读者以英文原稿为参考以便获得更精准的信息。
- 3.本站提供的产品资料，来自厂商的技术支持或者使用者的心得体会等，其内容可能存在描述上的差异，建议读者做出适当判断。
- 4.如需与我们联系，请发邮件到marketing@iczoom.com，主题请标有“数据手册”字样。

Read Statement

1. The datasheets and other product information on the site are all from network reference or other public materials, and the copyright belongs to the original author and original published source. If readers and copyright owners have any objections, please contact us and we will deal with it in a timely manner.
2. The Chinese datasheets provided on the website is a Chinese translation of the English datasheets. Its purpose is for reader's learning exchange only and do not involve commercial purposes. The translation cannot be automatically updated with the original manuscript, and there may also be improper translations. Readers are advised to use the English manuscript as a reference for more accurate information.
3. All product information provided on the website refer to solutions from manufacturers' technical support or users the contents may have differences in description, and readers are advised to take the original article as the standard.
4. If you have any questions, please contact us at marketing@iczoom.com and mark the subject with "Datasheets" .



2.5V Single Data Rate 1:10 Clock Buffer Terabuffer™

5T907

PRODUCT DISCONTINUATION NOTICE - LAST TIME BUY EXPIRES SEPTEMBER 7, 2016 DATASHEET

FEATURES:

- Guaranteed Low Skew < 125ps (max)
- Very low duty cycle distortion
- High speed propagation delay < 2.5ns. (max)
- Up to 250MHz operation
- Very low CMOS power levels
- 1.5V V_{DDQ} for HSTL interface
- Hot insertable and over-voltage tolerant inputs
- 3-level inputs for selectable interface
- Selectable HSTL, eHSTL, 1.8V / 2.5V LVTTTL, or LVEPECL input interface
- Selectable differential or single-ended inputs and ten single-ended outputs
- 2.5V V_{DD}
- Available in TSSOP package
- **NOT RECOMMENDED FOR NEW DESIGNS**
- *For new designs use functional replacement 8T39S11*

APPLICATIONS:

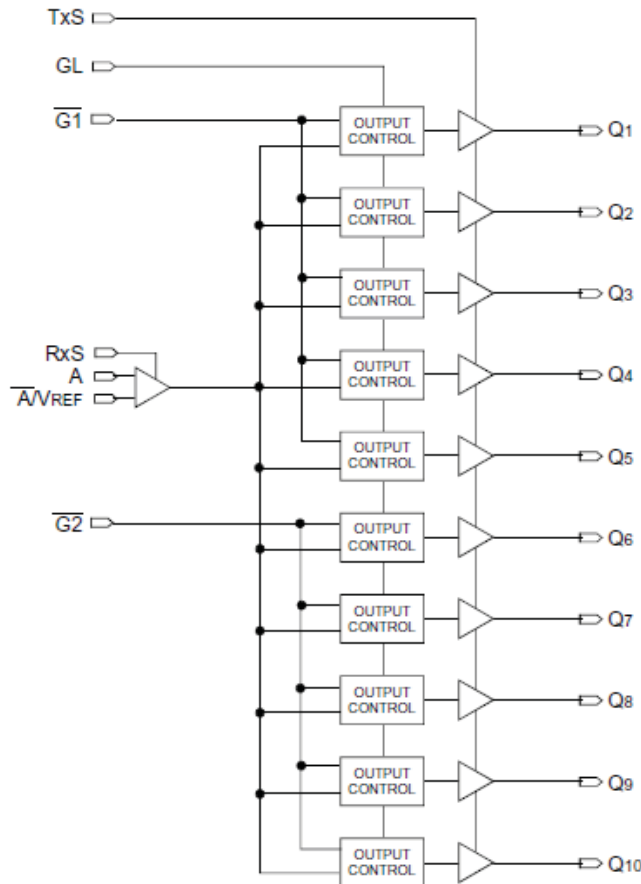
- Clock and signal distribution

DESCRIPTION:

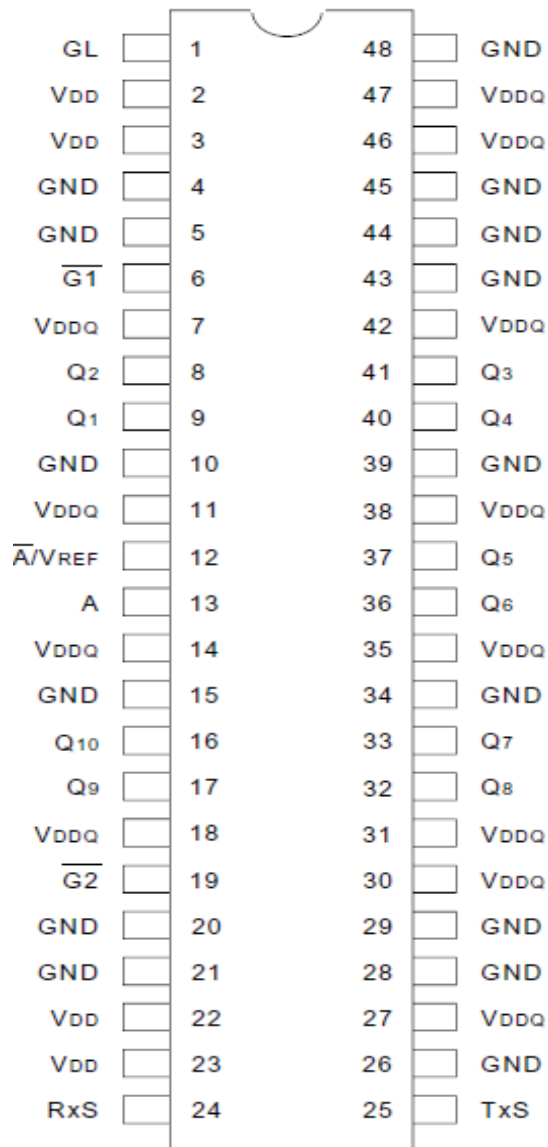
The 5T907 2.5V single data rate (SDR) clock buffer is a user-selectable single-ended or differential input to ten single-ended outputs buffer built on advanced metal CMOS technology. The SDR clock buffer fanout from a single or differential input to ten single-ended outputs reduces the loading on the preceding driver and provides an efficient clock distribution network. The 5T907 can act as a translator from a differential HSTL, eHSTL, 1.8V/2.5V LVTTTL, LVEPECL, or single-ended 1.8V/2.5V LVTTTL input to HSTL, eHSTL, 1.8V/2.5V LVTTTL outputs. Selectable interface is controlled by 3-level input signals that may be hard-wired to appropriate high-mid-low levels.

The 5T907 has two output banks that can be asynchronously enabled/disabled. Multiple power and grounds reduce noise.

FUNCTIONAL BLOCK DIAGRAM



PIN CONFIGURATION

TSSOP
TOP VIEWABSOLUTE MAXIMUM RATINGS⁽¹⁾

| Symbol | Description | Max | Unit |
|------------------|-------------------------------------|-------------------------------|------|
| V _{DD} | Power Supply Voltage ⁽²⁾ | -0.5 to +3.6 | V |
| V _{DDO} | Output Power Supply ⁽²⁾ | -0.5 to +3.6 | V |
| V _I | Input Voltage | -0.5 to +3.6 | V |
| V _O | Output Voltage ⁽³⁾ | -0.5 to V _{DDO} +0.5 | V |
| V _{REF} | Reference Voltage ⁽³⁾ | -0.5 to +3.6 | V |
| T _{STG} | Storage Temperature | -65 to +165 | °C |
| T _J | Junction Temperature | 150 | °C |

NOTES:

- Stresses greater than those listed under ABSOLUTE MAXIMUM RATINGS may cause permanent damage to the device. This is a stress rating only and functional operation of the device at these or any other conditions above those indicated in the operational sections of this specification is not implied. Exposure to absolute maximum rating conditions for extended periods may affect reliability.
- V_{DDO} and V_{DD} internally operate independently. No power sequencing requirements need to be met.
- Not to exceed 3.6V.

CAPACITANCE⁽¹⁾ (T_A = +25°C, F = 1.0MHz)

| Symbol | Parameter | Min | Typ. | Max. | Unit |
|-----------------|-------------------|-----|------|------|------|
| C _{IN} | Input Capacitance | — | 3.5 | — | pF |

NOTE:

- This parameter is measured at characterization but not tested. Capacitance applies to all inputs except RxS and TxS.

RECOMMENDED OPERATING RANGE

| Symbol | Description | Min. | Typ. | Max. | Unit |
|---------------------------------|---|------|----------------------|------|------|
| T _A | Ambient Operating Temperature | -40 | +25 | +85 | °C |
| V _{DD} ⁽¹⁾ | Internal Power Supply Voltage | 2.4 | 2.5 | 2.6 | V |
| V _{DDO} ⁽¹⁾ | HSTL Output Power Supply Voltage | 1.4 | 1.5 | 1.6 | V |
| | Extended HSTL and 1.8V LVTTTL Output Power Supply Voltage | 1.65 | 1.8 | 1.95 | V |
| | 2.5V LVTTTL Output Power Supply Voltage | | V _{DD} | | V |
| V _T | Termination Voltage | | V _{DDO} / 2 | | V |

NOTE:

- All power supplies should operate in tandem; if V_{DD} or V_{DDO} is at a maximum, then V_{DDO} or V_{DD} (respectively) should be at a maximum, and vice-versa.

PIN DESCRIPTION

| Symbol | I/O | Type | Description |
|-------------------|-----|---------------------------|---|
| A | I | Adjustable ⁽¹⁾ | Clock input. A is the "true" side of the differential clock input. If operating in single-ended mode, A is the clock input. |
| \bar{A}/V_{REF} | I | Adjustable ⁽¹⁾ | Complementary clock input. \bar{A}/V_{REF} is the "complementary" side of A if the input is in differential mode. If operating in single-ended mode, \bar{A}/V_{REF} is connected to GND. For single-ended operation in differential mode, \bar{A}/V_{REF} should be set to the desired toggle voltage for A: 2.5V LVTTTL $V_{REF} = 1250mV$ 1.8V LVTTTL, eHSTL $V_{REF} = 900mV$ HSTL $V_{REF} = 750mV$ LVEPECL $V_{REF} = 1082mV$ |
| $\bar{G1}$ | I | LVTTTL ⁽⁵⁾ | Gate for outputs Q1 through Q5. When $\bar{G1}$ is LOW, these outputs are enabled. When $\bar{G1}$ is HIGH, these outputs are asynchronously disabled to the level designated by GL ⁽⁴⁾ . |
| $\bar{G2}$ | I | LVTTTL ⁽⁵⁾ | Gate for outputs Q6 through Q10. When $\bar{G2}$ is LOW, these outputs are enabled. When $\bar{G2}$ is HIGH, these outputs are asynchronously disabled to the level designated by GL ⁽⁴⁾ . |
| GL | I | LVTTTL ⁽⁵⁾ | Specifies output disable level. If HIGH, the outputs disable HIGH. If LOW, the outputs disable LOW. |
| Qn | O | Adjustable ⁽²⁾ | Clock outputs |
| RxS | I | 3 Level ⁽³⁾ | Selects single-ended 2.5V LVTTTL (HIGH), 1.8V LVTTTL (MID) clock input or differential (LOW) clock input |
| TxS | I | 3 Level ⁽³⁾ | Sets the drive strength of the output drivers to be 2.5V LVTTTL (HIGH), 1.8V LVTTTL (MID) or HSTL (LOW) compatible. Used in conjunction with V_{DD0} to set the interface levels. |
| V_{DD} | | PWR | Power supply for the device core and inputs |
| V_{DD0} | | PWR | Power supply for the device outputs. When utilizing 2.5V LVTTTL outputs, V_{DD0} should be connected to V_{DD} . |
| GND | | PWR | Power supply return for all power |

NOTES:

- Inputs are capable of translating the following interface standards. User can select between:
 Single-ended 2.5V LVTTTL levels
 Single-ended 1.8V LVTTTL levels
 or
 Differential 2.5V/1.8V LVTTTL levels
 Differential HSTL and eHSTL levels
 Differential LVEPECL levels
- Outputs are user selectable to drive 2.5V, 1.8V LVTTTL, eHSTL, or HSTL interface levels when used with the appropriate V_{DD0} voltage.
- 3 level inputs are static inputs and must be tied to V_{DD} or GND or left floating. These inputs are not hot-insertable or over-voltage tolerant.
- Because the gate controls are asynchronous, runt pulses are possible. It is the user's responsibility to either time the gate control signals to minimize the possibility of runt pulses or be able to tolerate them in down stream circuitry.
- Pins listed as LVTTTL inputs will accept 2.5V signals when RxS = HIGH or 1.8V signals when RxS = LOW or MID.

INPUT/OUTPUT SELECTION⁽¹⁾

| Input | Output | Input | Output | | |
|-----------------|-----------------|-----------------|--------|----------------|------|
| 2.5V LVTTTL SE | 2.5V LVTTTL | 2.5V LVTTTL SE | eHSTL | | |
| 1.8V LVTTTL SE | | 1.8V LVTTTL SE | | | |
| 2.5V LVTTTL DSE | | 2.5V LVTTTL DSE | | | |
| 1.8V LVTTTL DSE | | 1.8V LVTTTL DSE | | | |
| LVEPECL DSE | | LVEPECL DSE | | | |
| eHSTL DSE | | eHSTL DSE | | | |
| HSTL DSE | | HSTL DSE | | | |
| 2.5V LVTTTL DIF | | 2.5V LVTTTL DIF | | | |
| 1.8V LVTTTL DIF | | 1.8V LVTTTL DIF | | | |
| LVEPECL DIF | | LVEPECL DIF | | | |
| eHSTL DIF | | eHSTL DIF | | | |
| HSTL DIF | | HSTL DIF | | | |
| 2.5V LVTTTL SE | | 1.8V LVTTTL | | 2.5V LVTTTL SE | HSTL |
| 1.8V LVTTTL SE | | | | 1.8V LVTTTL SE | |
| 2.5V LVTTTL DSE | 2.5V LVTTTL DSE | | | | |
| 1.8V LVTTTL DSE | 1.8V LVTTTL DSE | | | | |
| LVEPECL DSE | LVEPECL DSE | | | | |
| eHSTL DSE | eHSTL DSE | | | | |
| HSTL DSE | HSTL DSE | | | | |
| 2.5V LVTTTL DIF | 2.5V LVTTTL DIF | | | | |
| 1.8V LVTTTL DIF | 1.8V LVTTTL DIF | | | | |
| LVEPECL DIF | LVEPECL DIF | | | | |
| eHSTL DIF | eHSTL DIF | | | | |
| HSTL DIF | HSTL DIF | | | | |

NOTE:

- The INPUT/OUTPUT SELECTION Table describes the total possible combinations of input and output interfaces. Single-Ended (SE) inputs in a single-ended mode require the \bar{A}/V_{REF} pin to be connected to GND. Differential Single-Ended (DSE) is for single-ended operation in differential mode, requiring a V_{REF} . Differential (DIF) inputs are used only in differential mode.

DC ELECTRICAL CHARACTERISTICS OVER OPERATING RANGE

| Symbol | Parameter | Test Conditions | Min. | Max. | Unit |
|-----------|---|---------------------------------|------------------|------------------|---------|
| V_{IH} | Input HIGH Voltage Level ⁽¹⁾ | 3-Level Inputs Only | $V_{DD} - 0.4$ | — | V |
| V_{IMM} | Input MID Voltage Level ⁽¹⁾ | 3-Level Inputs Only | $V_{DD}/2 - 0.2$ | $V_{DD}/2 + 0.2$ | V |
| V_{IL} | Input LOW Voltage Level ⁽¹⁾ | 3-Level Inputs Only | — | 0.4 | V |
| I_3 | 3-Level Input DC Current (RxS, TxS) | $V_{IN} = V_{DD}$ HIGH Level | — | 200 | μA |
| | | $V_{IN} = V_{DD}/2$ MID Level | -50 | +50 | |
| | | $V_{IN} = GND$ LOW Level | -200 | — | |

NOTE:

- These inputs are normally wired to V_{DD} , GND, or left floating. Internal termination resistors bias unconnected inputs to $V_{DD}/2$.

DC ELECTRICAL CHARACTERISTICS OVER OPERATING RANGE FOR HSTL⁽¹⁾

| Symbol | Parameter | Test Conditions | Min. | Typ. ⁽⁷⁾ | Max | Unit |
|-------------------------------|---|---|------------------------|---------------------|------------------------|------|
| Input Characteristics | | | | | | |
| I _{IH} | Input HIGH Current ⁽⁹⁾ | V _{DD} = 2.6V V _I = V _{DDQ} /GND | — | — | +5 | μA |
| I _{IL} | Input LOW Current ⁽⁹⁾ | V _{DD} = 2.6V V _I = GND/V _{DDQ} | — | — | +5 | μA |
| V _{IK} | Clamp Diode Voltage | V _{DD} = 2.4V, I _{IN} = -18mA | — | -0.7 | -1.2 | V |
| V _{IN} | DC Input Voltage | | -0.3 | | +3.6 | V |
| V _{DIF} | DC Differential Voltage ^(2,8) | | 0.2 | | — | V |
| V _{CM} | DC Common Mode Input Voltage ^(3,8) | | 680 | 750 | 900 | mV |
| V _{IH} | DC Input HIGH ^(4,5,8) | | V _{REF} + 100 | | — | mV |
| V _{IL} | DC Input LOW ^(4,6,8) | | — | | V _{REF} - 100 | mV |
| V _{REF} | Single-Ended Reference Voltage ^(4,8) | | — | 750 | — | mV |
| Output Characteristics | | | | | | |
| V _{OH} | Output HIGH Voltage | I _{OH} = -8mA | V _{DDQ} - 0.4 | | — | V |
| | | I _{OH} = -100μA | V _{DDQ} - 0.1 | | — | V |
| V _{OL} | Output LOW Voltage | I _{OL} = 8mA | — | | 0.4 | V |
| | | I _{OL} = 100μA | — | | 0.1 | V |

NOTES:

- See RECOMMENDED OPERATING RANGE table.
- V_{DIF} specifies the minimum input differential voltage (V_{TR} - V_{CP}) required for switching where V_{TR} is the "true" input level and V_{CP} is the "complement" input level. Differential mode only. The DC differential voltage must be maintained to guarantee retaining the existing HIGH or LOW input. The AC differential voltage must be achieved to guarantee switching to a new state.
- V_{CM} specifies the maximum allowable range of (V_{TR} + V_{CP}) / 2. Differential mode only.
- For single-ended operation, in differential mode, \bar{A}/V_{REF} is tied to the DC voltage V_{REF}.
- Voltage required to maintain a logic HIGH, single-ended operation in differential mode.
- Voltage required to maintain a logic LOW, single-ended operation in differential mode.
- Typical values are at V_{DD} = 2.5V, V_{DDQ} = 1.5V, +25°C ambient.
- The reference clock input is capable of HSTL, eHSTL, LVEPECL, 1.8V or 2.5V LVTTTL operation independent of the device output. The correct input interface table should be referenced.
- For differential mode (R_XS = LOW), A and \bar{A}/V_{REF} must be at the opposite rail.

POWER SUPPLY CHARACTERISTICS FOR HSTL OUTPUTS⁽¹⁾

| Symbol | Parameter | Test Conditions ⁽²⁾ | Typ. | Max | Unit |
|-------------------|--|--|------|-----|--------|
| I _{DDQ} | Quiescent V _{DD} Power Supply Current | V _{DDQ} = Max., Reference Clock = LOW ⁽³⁾ Outputs enabled. All outputs unloaded | 20 | 30 | mA |
| I _{DDOQ} | Quiescent V _{DDQ} Power Supply Current | V _{DDQ} = Max., Reference Clock = LOW ⁽³⁾ Outputs enabled. All outputs unloaded | 0.1 | 0.3 | mA |
| I _{DD} | Dynamic V _{DD} Power Supply Current per Output | V _{DD} = Max., V _{DDQ} = Max., C _L = 0pF | 20 | 30 | μA/MHz |
| I _{DDO} | Dynamic V _{DDQ} Power Supply Current per Output | V _{DD} = Max., V _{DDQ} = Max., C _L = 0pF | 30 | 50 | μA/MHz |
| I _{TOT} | Total Power V _{DD} Supply Current | V _{DDQ} = 1.5V, F _{REFERENCE CLOCK} = 100MHz, C _L = 15pF | 20 | 40 | mA |
| | | V _{DDQ} = 1.5V, F _{REFERENCE CLOCK} = 250MHz, C _L = 15pF | 35 | 50 | mA |
| I _{TOTO} | Total Power V _{DDQ} Supply Current | V _{DDQ} = 1.5V, F _{REFERENCE CLOCK} = 100MHz, C _L = 15pF | 35 | 70 | mA |
| | | V _{DDQ} = 1.5V, F _{REFERENCE CLOCK} = 250MHz, C _L = 15pF | 50 | 100 | mA |

NOTES:

- These power consumption characteristics are for all the valid input interfaces and cover the worst case input and output interface combinations.
- The termination resistors are excluded from these measurements.
- If the differential input interface is used, the true input is held LOW and the complementary input is held HIGH.

DIFFERENTIAL INPUT AC TEST CONDITIONS FOR HSTL

| Symbol | Parameter | Value | Units |
|------------|---|----------------|-------|
| V_{DIF} | Input Signal Swing ⁽¹⁾ | 1 | V |
| V_X | Differential Input Signal Crossing Point ⁽²⁾ | 750 | mV |
| V_{THI} | Input Timing Measurement Reference Level ⁽³⁾ | Crossing Point | V |
| t_R, t_F | Input Signal Edge Rate ⁽⁴⁾ | 1 | V/ns |

NOTES:

- The 1V peak-to-peak input pulse level is specified to allow consistent, repeatable results in an automatic test equipment (ATE) environment. Compliant devices must meet the V_{DIF} (AC) specification under actual use conditions.
- A 750mV crossing point level is specified to allow consistent, repeatable results in an automatic test equipment (ATE) environment. Compliant devices must meet the V_X specification under actual use conditions.
- In all cases, input waveform timing is marked at the differential cross-point of the input signals.
- The input signal edge rate of 1V/ns or greater is to be maintained in the 20% to 80% range of the input waveform.

DC ELECTRICAL CHARACTERISTICS OVER OPERATING RANGE FOR eHSTL⁽¹⁾

| Symbol | Parameter | Test Conditions | Min. | Typ. ⁽⁷⁾ | Max | Unit |
|-------------------------------|---|-------------------------------------|-----------------|---------------------|-----------------|---------|
| Input Characteristics | | | | | | |
| I_{IH} | Input HIGH Current ⁽⁹⁾ | $V_{DD} = 2.6V$ $V_I = V_{DDO}/GND$ | — | — | +5 | μA |
| I_{IL} | Input LOW Current ⁽⁹⁾ | $V_{DD} = 2.6V$ $V_I = GND/V_{DDO}$ | — | — | +5 | |
| V_{IK} | Clamp Diode Voltage | $V_{DD} = 2.4V, I_{IN} = -18mA$ | — | -0.7 | -1.2 | V |
| V_{IN} | DC Input Voltage | | -0.3 | | +3.6 | V |
| V_{DIF} | DC Differential Voltage ^(2,8) | | 0.2 | | — | V |
| V_{CM} | DC Common Mode Input Voltage ^(3,8) | | 800 | 900 | 1000 | mV |
| V_{IH} | DC Input HIGH ^(4,5,8) | | $V_{REF} + 100$ | | — | mV |
| V_{IL} | DC Input LOW ^(4,6,8) | | — | | $V_{REF} - 100$ | mV |
| V_{REF} | Single-Ended Reference Voltage ^(4,8) | | — | 900 | — | mV |
| Output Characteristics | | | | | | |
| V_{OH} | Output HIGH Voltage | $I_{OH} = -8mA$ | $V_{DDO} - 0.4$ | | — | V |
| | | $I_{OH} = -100\mu A$ | $V_{DDO} - 0.1$ | | — | V |
| V_{OL} | Output LOW Voltage | $I_{OL} = 8mA$ | — | | 0.4 | V |
| | | $I_{OL} = 100\mu A$ | — | | 0.1 | V |

NOTES:

- See RECOMMENDED OPERATING RANGE table.
- V_{DIF} specifies the minimum input differential voltage ($V_{TR} - V_{CP}$) required for switching where V_{TR} is the "true" input level and V_{CP} is the "complement" input level. Differential mode only. The DC differential voltage must be maintained to guarantee retaining the existing HIGH or LOW input. The AC differential voltage must be achieved to guarantee switching to a new state.
- V_{CM} specifies the maximum allowable range of $(V_{TR} + V_{CP}) / 2$. Differential mode only.
- For single-ended operation, in a differential mode, \bar{A}/V_{REF} is tied to the DC voltage V_{REF} .
- Voltage required to maintain a logic HIGH, single-ended operation in differential mode.
- Voltage required to maintain a logic LOW, single-ended operation in differential mode.
- Typical values are at $V_{DD} = 2.5V, V_{DDO} = 1.8V, +25^\circ C$ ambient.
- The reference clock input is capable of HSTL, eHSTL, LVEPECL, 1.8V or 2.5V LVTTTL operation independent of the device output. The correct input interface table should be referenced.
- For differential mode ($RxS = LOW$), A and \bar{A}/V_{REF} must be at the opposite rail.

POWER SUPPLY CHARACTERISTICS FOR eHSTL OUTPUTS⁽¹⁾

| Symbol | Parameter | Test Conditions ⁽²⁾ | Typ. | Max | Unit |
|-------------------|--|--|------|-----|--------|
| I _{DDQ} | Quiescent V _{DD} Power Supply Current | V _{DDQ} = Max., Reference Clock = LOW ⁽³⁾ Outputs enabled. All outputs unloaded | 20 | 30 | mA |
| I _{DDOQ} | Quiescent V _{DDO} Power Supply Current | V _{DDO} = Max., Reference Clock = LOW ⁽³⁾ Outputs enabled. All outputs unloaded | 0.1 | 0.3 | mA |
| I _{DD} | Dynamic V _{DD} Power Supply Current per Output | V _{DD} = Max., V _{DDO} = Max., C _L = 0pF | 20 | 30 | μA/MHz |
| I _{DDO} | Dynamic V _{DDO} Power Supply Current per Output | V _{DD} = Max., V _{DDO} = Max., C _L = 0pF | 40 | 60 | μA/MHz |
| I _{TOT} | Total Power V _{DD} Supply Current | V _{DDO} = 1.8V, F _{REFERENCE CLOCK} = 100MHz, C _L = 15pF | 20 | 40 | mA |
| | | V _{DDO} = 1.8V, F _{REFERENCE CLOCK} = 250MHz, C _L = 15pF | 35 | 50 | |
| I _{TOTO} | Total Power V _{DDO} Supply Current | V _{DDO} = 1.8V, F _{REFERENCE CLOCK} = 100MHz, C _L = 15pF | 40 | 80 | mA |
| | | V _{DDO} = 1.8V, F _{REFERENCE CLOCK} = 250MHz, C _L = 15pF | 80 | 160 | |

NOTES:

1. These power consumption characteristics are for all the valid input interfaces and cover the worst case input and output interface combinations.
2. The termination resistors are excluded from these measurements.
3. If the differential input interface is used, the true input is held LOW and the complementary input is held HIGH.

DIFFERENTIAL INPUT AC TEST CONDITIONS FOR eHSTL

| Symbol | Parameter | Value | Units |
|---------------------------------|---|----------------|-------|
| V _{DIF} | Input Signal Swing ⁽¹⁾ | 1 | V |
| V _X | Differential Input Signal Crossing Point ⁽²⁾ | 900 | mV |
| V _{THI} | Input Timing Measurement Reference Level ⁽³⁾ | Crossing Point | V |
| t _R , t _F | Input Signal Edge Rate ⁽⁴⁾ | 1 | V/ns |

NOTES:

1. The 1V peak-to-peak input pulse level is specified to allow consistent, repeatable results in an automatic test equipment (ATE) environment. Compliant devices must meet the V_{DIF} (AC) specification under actual use conditions.
2. A 900mV crossing point level is specified to allow consistent, repeatable results in an automatic test equipment (ATE) environment. Compliant devices must meet the V_X specification under actual use conditions.
3. In all cases, input waveform timing is marked at the differential cross-point of the input signals.
4. The input signal edge rate of 1V/ns or greater is to be maintained in the 20% to 80% range of the input waveform.

DC ELECTRICAL CHARACTERISTICS OVER OPERATING RANGE FOR LVEPE-CL⁽¹⁾

| Symbol | Parameter | Test Conditions | Min. | Typ. ⁽²⁾ | Max | Unit |
|------------------------------|---|---|------|---------------------|------|------|
| Input Characteristics | | | | | | |
| I _{IH} | Input HIGH Current ⁽⁶⁾ | V _{DD} = 2.6V V _I = V _{DDO} /GND | — | — | +5 | μA |
| I _{IL} | Input LOW Current ⁽⁶⁾ | V _{DD} = 2.6V V _I = GND/V _{DDO} | — | — | +5 | μA |
| V _{IK} | Clamp Diode Voltage | V _{DD} = 2.4V, I _{IIN} = -18mA | — | -0.7 | -1.2 | V |
| V _{IN} | DC Input Voltage | | -0.3 | — | 3.6 | V |
| V _{CM} | DC Common Mode Input Voltage ^(3,5) | | 915 | 1082 | 1248 | mV |
| V _{REF} | Single-Ended Reference Voltage ^(4,5) | | — | 1082 | — | mV |
| V _{IH} | DC Input HIGH | | 1275 | — | 1620 | mV |
| V _{IL} | DC Input LOW | | 555 | — | 875 | mV |

NOTES:

1. See RECOMMENDED OPERATING RANGE table.
2. Typical values are at V_{DD} = 2.5V, +25°C ambient.
3. V_{CM} specifies the maximum allowable range of (V_{TR} + V_{CP}) / 2. Differential mode only.
4. For single-ended operation while in differential mode, \bar{A}/V_{REF} is tied to the DC voltage V_{REF}.
5. The reference clock input is capable of HSTL, eHSTL, LVEPECL, 1.8V or 2.5V LVTTTL operation independent of the device output. The correct input interface table should be referenced.
6. For differential mode (R_XS = LOW), A and \bar{A}/V_{REF} must be at the opposite rail.

DIFFERENTIAL INPUT AC TEST CONDITIONS FOR LVEPECL

| Symbol | Parameter | Value | Units |
|---------------------------------|---|----------------|-------|
| V _{DIF} | Input Signal Swing ⁽¹⁾ | 732 | mV |
| V _X | Differential Input Signal Crossing Point ⁽²⁾ | 1082 | mV |
| V _{THI} | Input Timing Measurement Reference Level ⁽³⁾ | Crossing Point | V |
| t _R , t _F | Input Signal Edge Rate ⁽⁴⁾ | 1 | V/ns |

NOTES:

- The 732mV peak-to-peak input pulse level is specified to allow consistent, repeatable results in an automatic test equipment (ATE) environment. Compliant devices must meet the V_{DIF} (AC) specification under actual use conditions.
- A 1082mV crossing point level is specified to allow consistent, repeatable results in an automatic test equipment (ATE) environment. Compliant devices must meet the V_X specification under actual use conditions.
- In all cases, input waveform timing is marked at the differential cross-point of the input signals.
- The input signal edge rate of 1V/ns or greater is to be maintained in the 20% to 80% range of the input waveform.

DC ELECTRICAL CHARACTERISTICS OVER OPERATING RANGE FOR 2.5V LVTTL⁽¹⁾

| Symbol | Parameter | Test Conditions | Min. | Typ. ⁽⁸⁾ | Max | Unit |
|--|---|---|------------------------|---------------------|------------------------|------|
| Input Characteristics | | | | | | |
| I _{IH} | Input HIGH Current ⁽¹⁰⁾ | V _{DD} = 2.6V V _I = V _{DDO} /GND | — | — | +5 | μA |
| I _{IL} | Input LOW Current ⁽¹⁰⁾ | V _{DD} = 2.6V V _I = GND/V _{DDO} | — | — | +5 | μA |
| V _{IK} | Clamp Diode Voltage | V _{DD} = 2.4V, I _{IIN} = -18mA | — | -0.7 | -1.2 | V |
| V _{IN} | DC Input Voltage | | -0.3 | | +3.6 | V |
| Single-Ended Inputs⁽²⁾ | | | | | | |
| V _{IH} | DC Input HIGH | | 1.7 | | — | V |
| V _{IL} | DC Input LOW | | — | | 0.7 | V |
| Differential Inputs | | | | | | |
| V _{DIF} | DC Differential Voltage ^(5,9) | | 0.2 | | — | V |
| V _{CM} | DC Common Mode Input Voltage ^(4,9) | | 1150 | 1250 | 1350 | mV |
| V _{IH} | DC Input HIGH ^(5,6,9) | | V _{REF} + 100 | | — | mV |
| V _{IL} | DC Input LOW ^(5,7,9) | | — | | V _{REF} - 100 | mV |
| V _{REF} | Single-Ended Reference Voltage ^(5,9) | | — | 1250 | — | mV |
| Output Characteristics | | | | | | |
| V _{OH} | Output HIGH Voltage | I _{OH} = -12mA | V _{DDO} - 0.4 | | — | V |
| | | I _{OH} = -100μA | V _{DDO} - 0.1 | | — | V |
| V _{OL} | Output LOW Voltage | I _{OL} = 12mA | — | | 0.4 | V |
| | | I _{OL} = 100μA | — | | 0.1 | V |

NOTES:

- See RECOMMENDED OPERATING RANGE table.
- For 2.5V LVTTL single-ended operation, the R_XS pin is tied HIGH and \bar{A}/V_{REF} is tied to GND.
- V_{DIF} specifies the minimum input differential voltage (V_{TR} - V_{CP}) required for switching where V_{TR} is the "true" input level and V_{CP} is the "complement" input level. Differential mode only. The DC differential voltage must be maintained to guarantee retaining the existing HIGH or LOW input. The AC differential voltage must be achieved to guarantee switching to a new state.
- V_{CM} specifies the maximum allowable range of (V_{TR} + V_{CP}) / 2. Differential mode only.
- For single-ended operation, in differential mode, \bar{A}/V_{REF} is tied to the DC voltage V_{REF}.
- Voltage required to maintain a logic HIGH, single-ended operation in differential mode.
- Voltage required to maintain a logic LOW, single-ended operation in differential mode.
- Typical values are at V_{DD} = 2.5V, V_{DDO} = V_{DD}, +25°C ambient.
- The reference clock input is capable of HSTL, eHSTL, LVEPECL, 1.8V or 2.5V LVTTL operation independent of the device output. The correct input interface table should be referenced.
- For differential mode (R_XS = LOW), A and \bar{A}/V_{REF} must be at the opposite rail.

POWER SUPPLY CHARACTERISTICS FOR 2.5V LVTTTL OUTPUTS⁽¹⁾

| Symbol | Parameter | Test Conditions ⁽²⁾ | Typ. | Max | Unit |
|-------------------|--|--|-----------|-----------|--------|
| I _{DDQ} | Quiescent V _{DD} Power Supply Current | V _{DDQ} = Max., Reference Clock = LOW ⁽³⁾ Outputs enabled. All outputs unloaded | 20 | 30 | mA |
| I _{DDOQ} | Quiescent V _{DDO} Power Supply Current | V _{DDO} = Max., Reference Clock = LOW ⁽³⁾ Outputs enabled. All outputs unloaded | 0.1 | 0.3 | mA |
| I _{DD} | Dynamic V _{DD} Power Supply Current per Output | V _{DD} = Max., V _{DDO} = Max., C _L = 0pF | 25 | 40 | μA/MHz |
| I _{DDO} | Dynamic V _{DDO} Power Supply Current per Output | V _{DD} = Max., V _{DDO} = Max., C _L = 0pF | 40 | 70 | μA/MHz |
| I _{TOT} | Total Power V _{DD} Supply Current | V _{DDO} = 2.5V, F _{REFERENCE CLOCK} = 100MHz, C _L = 15pF V _{DDO} = 2.5V, F _{REFERENCE CLOCK} = 200MHz, C _L = 15pF | 25 40 | 40 70 | mA |
| I _{TOTO} | Total Power V _{DDO} Supply Current | V _{DDO} = 2.5V, F _{REFERENCE CLOCK} = 100MHz, C _L = 15pF V _{DDO} = 2.5V, F _{REFERENCE CLOCK} = 200MHz, C _L = 15pF | 40 100 | 80 200 | mA |

NOTES:

1. These power consumption characteristics are for all the valid input interfaces and cover the worst case input and output interface combinations.
2. The termination resistors are excluded from these measurements.
3. If the differential input interface is used, the true input is held LOW and the complementary input is held HIGH.

DIFFERENTIAL INPUT AC TEST CONDITIONS FOR 2.5V LVTTTL

| Symbol | Parameter | Value | Units |
|---------------------------------|---|--------------------|-------|
| V _{DIF} | Input Signal Swing ⁽¹⁾ | V _{DD} | V |
| V _X | Differential Input Signal Crossing Point ⁽²⁾ | V _{DD} /2 | V |
| V _{THI} | Input Timing Measurement Reference Level ⁽³⁾ | Crossing Point | V |
| t _R , t _F | Input Signal Edge Rate ⁽⁴⁾ | 2.5 | V/ns |

NOTES:

1. A nominal 2.5V peak-to-peak input pulse level is specified to allow consistent, repeatable results in an automatic test equipment (ATE) environment. Compliant devices must meet the V_{DIF} (AC) specification under actual use conditions.
2. A nominal 1.25V crossing point level is specified to allow consistent, repeatable results in an automatic test equipment (ATE) environment. Compliant devices must meet the V_X specification under actual use conditions.
3. In all cases, input waveform timing is marked at the differential cross-point of the input signals.
4. The input signal edge rate of 2.5V/ns or greater is to be maintained in the 20% to 80% range of the input waveform.

SINGLE-ENDED INPUT AC TEST CONDITIONS FOR 2.5V LVTTTL

| Symbol | Parameter | Value | Units |
|---------------------------------|---|--------------------|-------|
| V _{IH} | Input HIGH Voltage | V _{DD} | V |
| V _{IL} | Input LOW Voltage | 0 | V |
| V _{THI} | Input Timing Measurement Reference Level ⁽¹⁾ | V _{DD} /2 | V |
| t _R , t _F | Input Signal Edge Rate ⁽²⁾ | 2 | V/ns |

NOTES:

1. A nominal 1.25V timing measurement reference level is specified to allow constant, repeatable results in an automatic test equipment (ATE) environment.
2. The input signal edge rate of 2V/ns or greater is to be maintained in the 10% to 90% range of the input waveform.

DC ELECTRICAL CHARACTERISTICS OVER OPERATING RANGE FOR 1.8V LVTTTL⁽¹⁾

| Symbol | Parameter | Test Conditions | Min. | Typ. ⁽⁸⁾ | Max | Unit |
|--|---|-------------------------------------|-----------------------|---------------------|-----------------------|---------|
| Input Characteristics | | | | | | |
| I_{IH} | Input HIGH Current ⁽¹²⁾ | $V_{DD} = 2.6V$ $V_I = V_{DD0}/GND$ | — | — | +5 | μA |
| I_{IL} | Input LOW Current ⁽¹²⁾ | $V_{DD} = 2.6V$ $V_I = GND/V_{DD0}$ | — | — | +5 | μA |
| V_{IK} | Clamp Diode Voltage | $V_{DD} = 2.4V$, $I_{IN} = -18mA$ | — | -0.7 | -1.2 | V |
| V_{IN} | DC Input Voltage | | -0.3 | | $V_{DD0} + 0.3$ | V |
| Single-Ended Inputs⁽²⁾ | | | | | | |
| V_{IH} | DC Input HIGH | | 1.073 ⁽¹⁰⁾ | | — | V |
| V_{IL} | DC Input LOW | | — | | 0.683 ⁽¹¹⁾ | V |
| Differential Inputs | | | | | | |
| V_{DIF} | DC Differential Voltage ^(5,9) | | 0.2 | | — | V |
| V_{CM} | DC Common Mode Input Voltage ^(4,9) | | 825 | 900 | 975 | mV |
| V_{IH} | DC Input HIGH ^(5,6,9) | | $V_{REF} + 100$ | | — | mV |
| V_{IL} | DC Input LOW ^(5,7,9) | | — | | $V_{REF} - 100$ | mV |
| V_{REF} | Single-Ended Reference Voltage ^(5,9) | | — | 900 | — | mV |
| Output Characteristics | | | | | | |
| V_{OH} | Output HIGH Voltage | $I_{OH} = -6mA$ | $V_{DD0} - 0.4$ | | — | V |
| V_{OL} | Output LOW Voltage | $I_{OH} = -100\mu A$ | $V_{DD0} - 0.1$ | | — | V |
| | | $I_{OL} = 6mA$ | — | | 0.4 | V |
| | | $I_{OL} = 100\mu A$ | — | | 0.1 | V |

NOTES:

- See RECOMMENDED OPERATING RANGE table.
- For 1.8V LVTTTL single-ended operation, the RxS pin is allowed to float or tied to $V_{DD}/2$ and \bar{A}/V_{REF} is tied to GND.
- V_{DIF} specifies the minimum input differential voltage ($V_{TR} - V_{CP}$) required for switching where V_{TR} is the "true" input level and V_{CP} is the "complement" input level. Differential mode only. The DC differential voltage must be maintained to guarantee retaining the existing HIGH or LOW input. The AC differential voltage must be achieved to guarantee switching to a new state.
- V_{CM} specifies the maximum allowable range of $(V_{TR} + V_{CP})/2$. Differential mode only.
- For single-ended operation in differential mode, \bar{A}/V_{REF} is tied to the DC voltage V_{REF} . The input is guaranteed to toggle within $\pm 200mV$ of V_{REF} when V_{REF} is constrained within $+600mV$ and $V_{DDI}-600mV$, where V_{DDI} is the nominal 1.8V power supply of the device driving the A input. To guarantee switching in voltage range specified in the JEDEC 1.8V LVTTTL interface specification, V_{REF} must be maintained at 900mV with appropriate tolerances.
- Voltage required to maintain a logic HIGH, single-ended operation in differential mode.
- Voltage required to maintain a logic LOW, single-ended operation in differential mode.
- Typical values are at $V_{DD} = 2.5V$, $V_{DD0} = 1.8V$, $+25^{\circ}C$ ambient.
- The reference clock input is capable of HSTL, eHSTL, LVEPECL, 1.8V or 2.5V LVTTTL operation independent of the device output. The correct input interface table should be referenced.
- This value is the worst case minimum V_{IH} over the specification range of the 1.8V power supply. The 1.8V LVTTTL specification is $V_{IH} = 0.65 \cdot V_{DD}$ where V_{DD} is $1.8V \pm 0.15V$. However, the LVTTTL translator is supplied by a 2.5V nominal supply on this part. To ensure compliance with the specification, the translator was designed to accept the calculated worst case value ($V_{IH} = 0.65 \cdot [1.8 - 0.15V]$) rather than reference against a nominal 1.8V supply.
- This value is the worst case maximum V_{IL} over the specification range of the 1.8V power supply. The 1.8V LVTTTL specification is $V_{IL} = 0.35 \cdot V_{DD}$ where V_{DD} is $1.8V \pm 0.15V$. However, the LVTTTL translator is supplied by a 2.5V nominal supply on this part. To ensure compliance with the specification, the translator was designed to accept the calculated worst case value ($V_{IL} = 0.35 \cdot [1.8 + 0.15V]$) rather than reference against a nominal 1.8V supply.
- For differential mode (RxS = LOW), A and \bar{A}/V_{REF} must be at the opposite rail.

POWER SUPPLY CHARACTERISTICS FOR 1.8V LVTTTL OUTPUTS⁽¹⁾

| Symbol | Parameter | Test Conditions ⁽²⁾ | Typ. | Max | Unit |
|-------------------|--|--|------|-----|--------|
| I _{DDO} | Quiescent V _{DD} Power Supply Current | V _{DDO} = Max., Reference Clock = LOW ⁽³⁾ Outputs enabled. All outputs unloaded | 20 | 30 | mA |
| I _{DDOQ} | Quiescent V _{DDO} Power Supply Current | V _{DDO} = Max., Reference Clock = LOW ⁽³⁾ Outputs enabled. All outputs unloaded | 0.1 | 0.3 | mA |
| I _{DD} | Dynamic V _{DD} Power Supply Current per Output | V _{DD} = Max., V _{DDO} = Max., C _L = 0pF | 20 | 40 | μA/MHz |
| I _{DDQ} | Dynamic V _{DDO} Power Supply Current per Output | V _{DD} = Max., V _{DDO} = Max., C _L = 0pF | 55 | 80 | μA/MHz |
| I _{TOT} | Total Power V _{DD} Supply Current | V _{DDO} = 1.8V, F _{REFERENCE CLOCK} = 100MHz, C _L = 15pF | 25 | 40 | mA |
| | | V _{DDO} = 1.8V, F _{REFERENCE CLOCK} = 200MHz, C _L = 15pF | 40 | 60 | |
| I _{TOTQ} | Total Power V _{DDO} Supply Current | V _{DDO} = 1.8V, F _{REFERENCE CLOCK} = 100MHz, C _L = 15pF | 55 | 110 | mA |
| | | V _{DDO} = 1.8V, F _{REFERENCE CLOCK} = 200MHz, C _L = 15pF | 130 | 260 | |

NOTES:

1. These power consumption characteristics are for all the valid input interfaces and cover the worst case input and output interface combinations.
2. The termination resistors are excluded from these measurements.
3. If the differential input interface is used, the true input is held LOW and the complementary input is held HIGH.

DIFFERENTIAL INPUT AC TEST CONDITIONS FOR 1.8V LVTTTL

| Symbol | Parameter | Value | Units |
|---------------------------------|---|---------------------|-------|
| V _{DIF} | Input Signal Swing ⁽¹⁾ | V _{DDI} | V |
| V _X | Differential Input Signal Crossing Point ⁽²⁾ | V _{DDI} /2 | mV |
| V _{THI} | Input Timing Measurement Reference Level ⁽³⁾ | Crossing Point | V |
| t _R , t _F | Input Signal Edge Rate ⁽⁴⁾ | 1.8 | V/ns |

NOTES:

1. V_{DDI} is the nominal 1.8V supply (1.8V ± 0.15V) of the part or source driving the input. A nominal 1.8V peak-to-peak input pulse level is specified to allow consistent, repeatable results in an automatic test equipment (ATE) environment. Compliant devices must meet the V_{DIF} (AC) specification under actual use conditions.
2. A nominal 900mV crossing point level is specified to allow consistent, repeatable results in an automatic test equipment (ATE) environment. Compliant devices must meet the V_X specification under actual use conditions.
3. In all cases, input waveform timing is marked at the differential cross-point of the input signals.
4. The input signal edge rate of 1.8V/ns or greater is to be maintained in the 20% to 80% range of the input waveform.

SINGLE-ENDED INPUT AC TEST CONDITIONS FOR 1.8V LVTTTL

| Symbol | Parameter | Value | Units |
|---------------------------------|---|---------------------|-------|
| V _{IH} | Input HIGH Voltage ⁽¹⁾ | V _{DDI} | V |
| V _{IL} | Input LOW Voltage | 0 | V |
| V _{THI} | Input Timing Measurement Reference Level ⁽²⁾ | V _{DDI} /2 | mV |
| t _R , t _F | Input Signal Edge Rate ⁽³⁾ | 2 | V/ns |

NOTES:

1. V_{DDI} is the nominal 1.8V supply (1.8V ± 0.15V) of the part or source driving the input.
2. A nominal 900mV timing measurement reference level is specified to allow constant, repeatable results in an automatic test equipment (ATE) environment.
3. The input signal edge rate of 2V/ns or greater is to be maintained in the 10% to 90% range of the input waveform.

AC ELECTRICAL CHARACTERISTICS OVER OPERATING RANGE⁽⁷⁾

| Symbol | Parameter | Min. | Typ. | Max | Unit | |
|---|--|---|------|-----|------|----|
| Skew Parameters | | | | | | |
| t _{sk(o)} | Same Device Output Pin-to-Pin Skew ⁽¹⁾ | Single-Ended and Differential Modes | — | — | 125 | ps |
| | | Single-Ended in Differential Mode (DSE) | — | 125 | — | |
| t _{sk(p)} ⁽²⁾ | Pulse Skew ⁽³⁾ | Single-Ended and Differential Modes | — | — | 300 | ps |
| | | Single-Ended in Differential Mode (DSE) | — | 300 | — | |
| t _{sk(p)} ⁽⁴⁾ | Pulse Skew ⁽³⁾ | Single-Ended and Differential Modes | — | — | 350 | ps |
| | | Single-Ended in Differential Mode (DSE) | — | 350 | — | |
| d _T ⁽⁵⁾ | Duty Cycle | 40 | — | 60 | % | |
| t _{sk(pp)} | Part-to-Part Skew ⁽⁶⁾ | Single-Ended and Differential Modes | — | — | 300 | ps |
| | | Single-Ended in Differential Mode (DSE) | — | 300 | — | |
| Propagation Delay | | | | | | |
| t _{PLH} | Propagation Delay A to Qn | — | — | 2.5 | ns | |
| t _{PHL} | Propagation Delay A to Qn | — | — | 2.5 | ns | |
| t _r | Output Rise Time (20% to 80%) | 2.5V / 1.8V LVTTTL Outputs | 350 | — | 1050 | ps |
| | | HSTL / eHSTL Outputs | 350 | — | 1350 | |
| t _f | Output Fall Time (20% to 80%) | 2.5V / 1.8V LVTTTL Outputs | 350 | — | 1050 | ps |
| | | HSTL / eHSTL Outputs | 350 | — | 1350 | |
| f _o | Frequency Range (HSTL/eHSTL outputs) | — | — | 250 | MHz | |
| | Frequency Range (2.5V/1.8V LVTTTL outputs) | — | — | 200 | | |
| Output Gate Enable/Disable Delay | | | | | | |
| t _{PGE} | Output Gate Enable to Qn | — | — | 3.5 | ns | |
| t _{PGD} | Output Gate Enable to Qn Driven to GL Designated Level | — | — | 3 | ns | |

NOTES:

- Skew measured between all outputs under identical input and output interfaces, transitions, and load conditions on any one device.
- For 1.8V LVTTTL and eHSTL outputs only.
- Skew measured is difference between propagation times t_{PLH} and t_{PHL} of any output under identical input and output interfaces, transitions, and load conditions on any one device.
- For 2.5V LVTTTL outputs only.
- For HSTL outputs only.
- Skew measured is the magnitude of the difference in propagation times between any outputs of two devices, given identical transitions and load conditions at identical V_{DD}/V_{DDQ} levels and temperature.
- Guaranteed by design.

AC DIFFERENTIAL INPUT SPECIFICATIONS⁽¹⁾

| Symbol | Parameter | Min. | Typ. | Max | Unit |
|----------------|---|------|------|-----|------|
| t _w | Reference Clock Pulse Width HIGH or LOW (HSTL/eHSTL outputs) ⁽²⁾ | 1.73 | — | — | ns |
| | Reference Clock Pulse Width HIGH or LOW (2.5V / 1.8V LVTTTL outputs) ⁽²⁾ | 2.17 | — | — | |

HSTL/eHSTL/1.8V LVTTTL/2.5V LVTTTL

| | | | | | |
|------------------|--|----------------------|---|----------------------|----|
| V _{DIF} | AC Differential Voltage ⁽³⁾ | 400 | — | — | mV |
| V _{IH} | AC Input HIGH ^(4,5) | V _X + 200 | — | — | mV |
| V _{IL} | AC Input LOW ^(4,6) | — | — | V _X - 200 | mV |

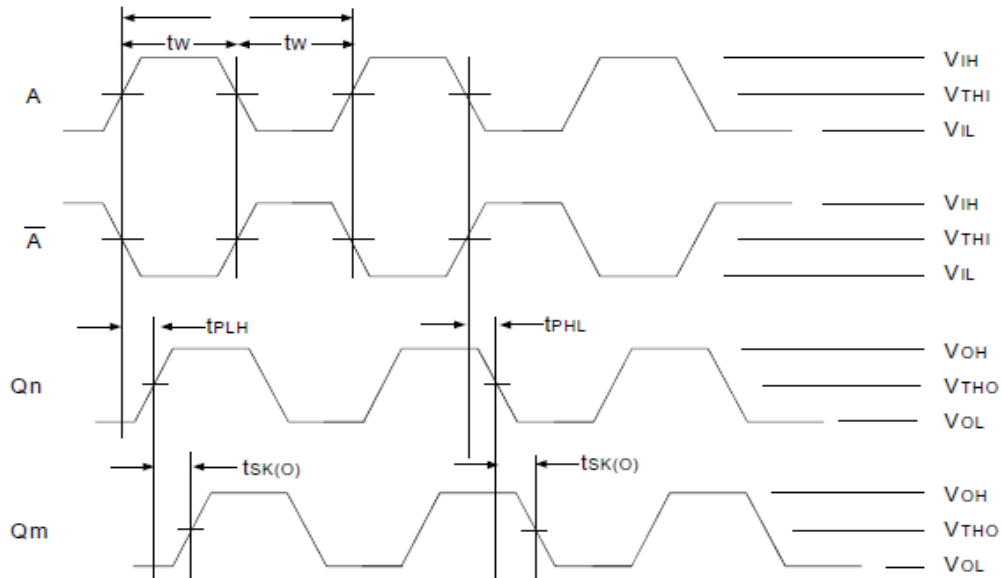
LVEPECL

| | | | | | |
|------------------|--|------|---|-----|----|
| V _{DIF} | AC Differential Voltage ⁽³⁾ | 400 | — | — | mV |
| V _{IH} | AC Input HIGH ⁽⁴⁾ | 1275 | — | — | mV |
| V _{IL} | AC Input LOW ⁽⁴⁾ | — | — | 875 | mV |

NOTES:

- For differential input mode, RxS is tied to GND.
- Both differential input signals should not be driven to the same level simultaneously. The input will not change state until the inputs have crossed and the voltage range defined by V_{DIF} has been met or exceeded.
- Differential mode only. V_{DIF} specifies the minimum input voltage (V_{TR} - V_{CP}) required for switching where V_{TR} is the "true" input level and V_{CP} is the "complement" input level. The AC differential voltage must be achieved to guarantee switching to a new state.
- For single-ended operation, \bar{A}/V_{REF} is tied to DC voltage (V_{REF}). Refer to each input interface's DC specification for the correct V_{REF} range.
- Voltage required to switch to a logic HIGH, single-ended operation only.
- Voltage required to switch to a logic LOW, single-ended operation only.

AC TIMING WAVEFORMS



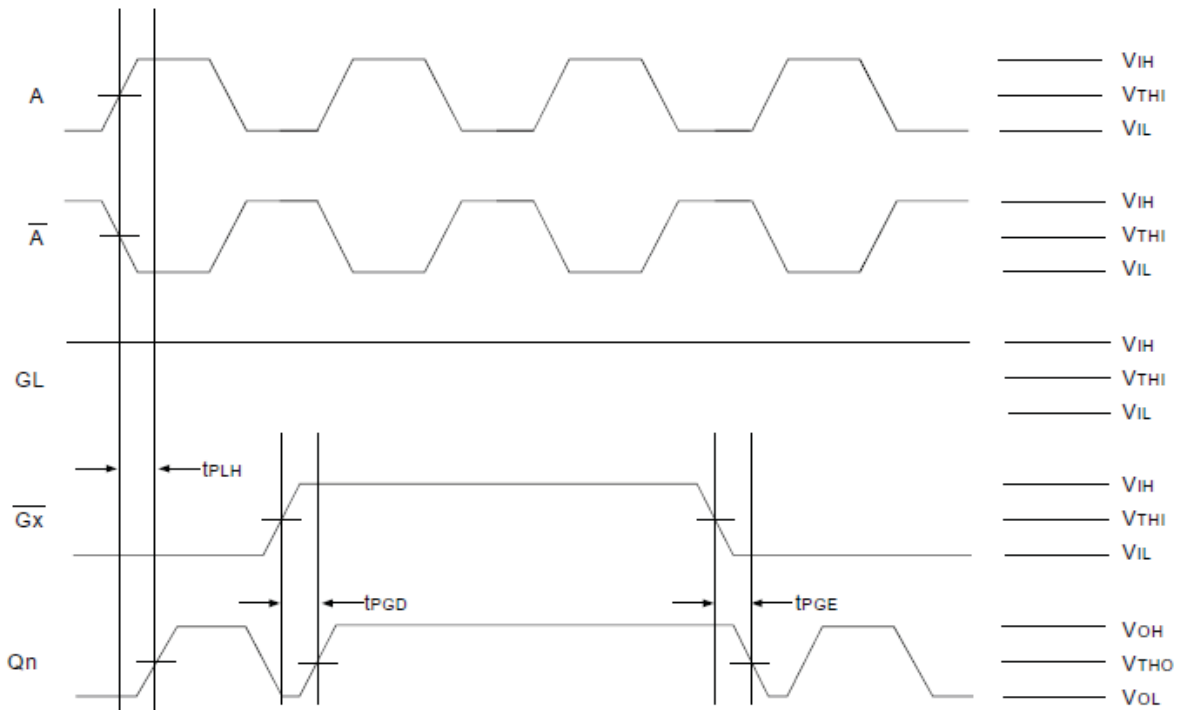
Propagation and Skew Waveforms

NOTES:

1. t_{PHL} and t_{PLH} signals are measured from the input passing through V_{THI} or input pair crossing to Q_n passing through V_{THO} .
2. Pulse Skew is calculated using the following expression:

$$tsk(P) = | t_{PHL} - t_{PLH} |$$

where t_{PHL} and t_{PLH} are measured on the controlled edges of any one output from rising and falling edges of a single pulse. Please note that the t_{PHL} and t_{PLH} shown are not valid measurements for this calculation because they are not taken from the same pulse.

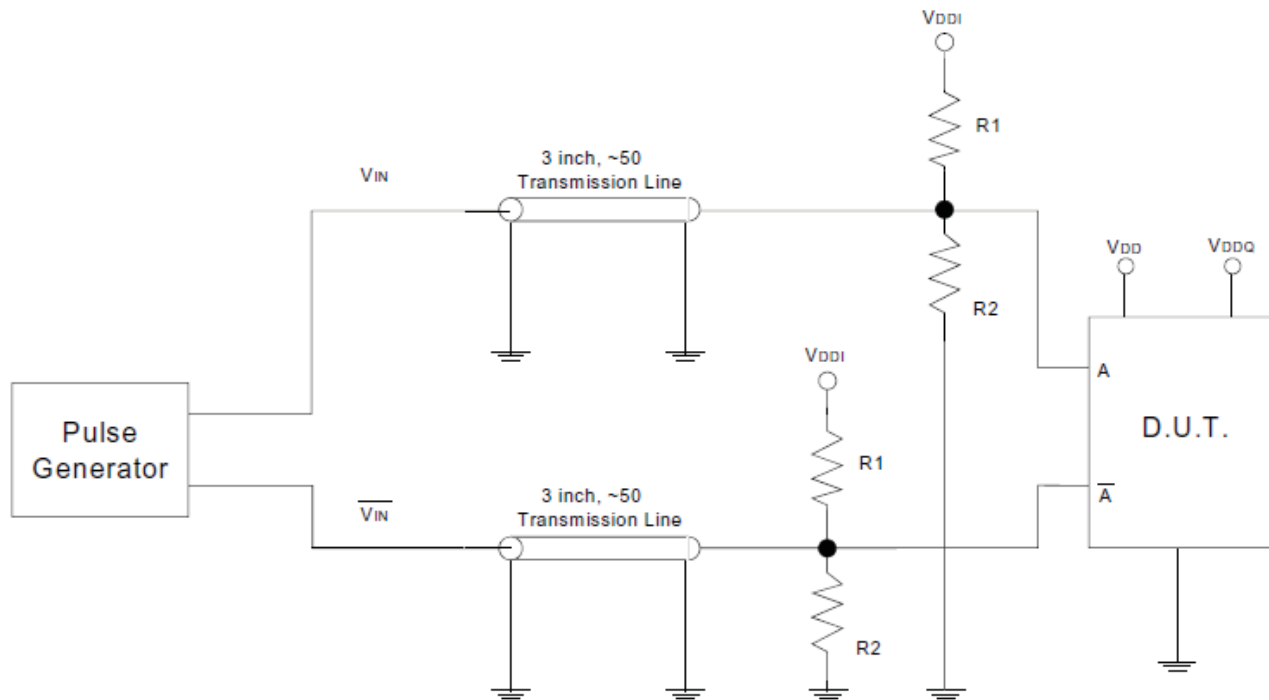


Gate Disable/Enable Showing Runt Pulse Generation

NOTE:

As shown, it is possible to generate runt pulses on gate disable and enable of the outputs. It is the user's responsibility to time their \overline{Gx} signals to avoid this problem.

TEST CIRCUITS AND CONDITIONS



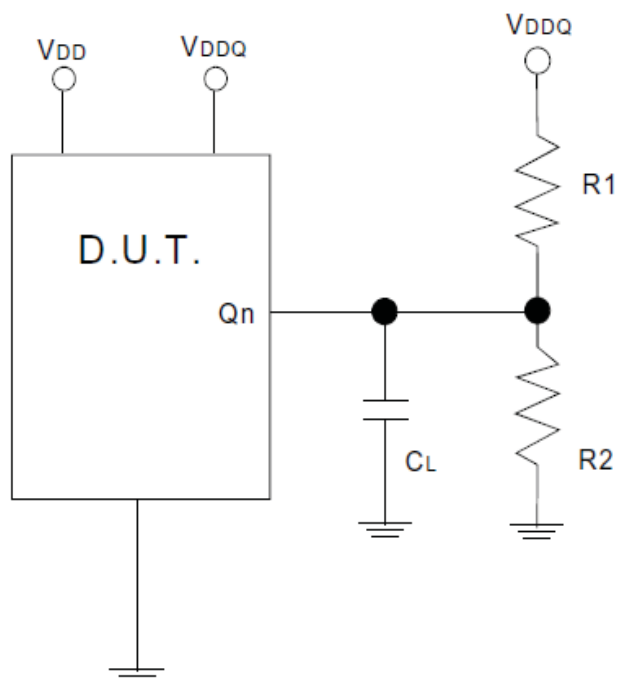
Test Circuit for Differential Input⁽¹⁾

DIFFERENTIAL INPUT TEST CONDITIONS

| Symbol | $V_{DD} = 2.5V + 0.1V$ | Unit |
|-----------|--|----------|
| R1 | 100 | Ω |
| R2 | 100 | Ω |
| V_{DDI} | $V_{CM} \times 2$ | V |
| V_{THI} | HSTL: Crossing of A and \bar{A} eHSTL: Crossing of A and \bar{A} LVEPECL: Crossing of A and \bar{A} 1.8V LVTTTL: $V_{DDI}/2$ 2.5V LVTTTL: $V_{DD}/2$ | V |

NOTE:

1. This input configuration is used for all input interfaces. For single-ended testing, the V_{IN} inputs are tied to GND. For testing single-ended in differential input mode, the V_{IN} is left floating.

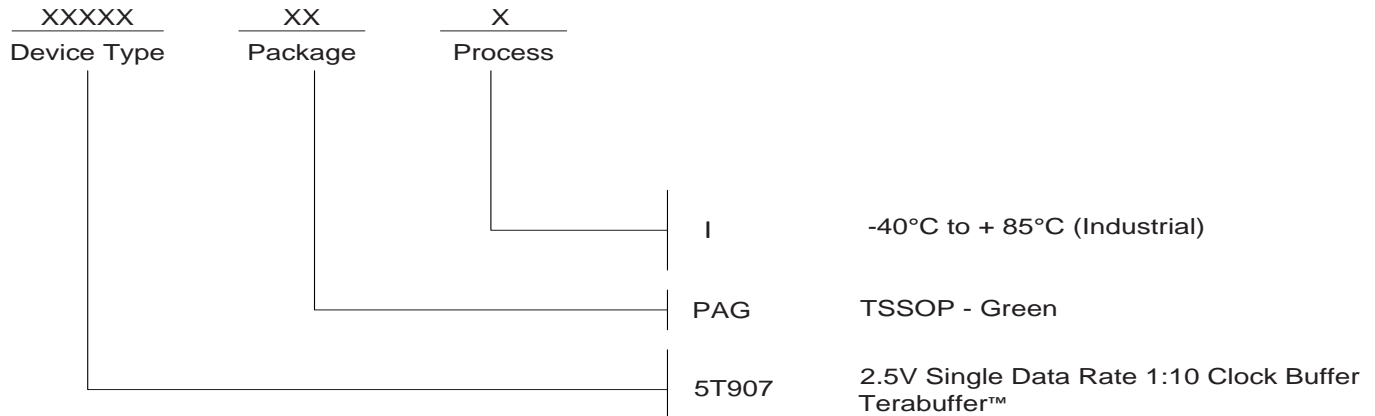


Test Circuit for SDR Outputs

SDR OUTPUT TEST CONDITIONS

| Symbol | $V_{DD} = 2.5V \pm 0.1V$ $V_{DDQ} = \text{Interface Specified}$ | Unit |
|-----------|--|----------|
| C_L | 15 | pF |
| R1 | 100 | Ω |
| R2 | 100 | Ω |
| V_{TH0} | $V_{DDQ} / 2$ | V |

ORDERING INFORMATION



REVISION HISTORY

| Rev | Table | Page | Description of Change | Date |
|-----|-------|------|---|---------|
| A | | 1 | NRND - Not Recommended for New Designs | 5/20/13 |
| A | | 17 | Ordering Information - Removed PA leaded device. Updated data sheet format. | 4/14/15 |
| A | | 1 | Product discontinuation notice - last time buy expires September 7, 2016. PDN# N-16-02 | |



Corporate Headquarters

6024 Silver Creek Valley Road
San Jose, California 95138

Sales

800-345-7015 or +408-284-8200
Fax: 408-284-2775
www.IDT.com

Technical Support

email: clocks@idt.com

DISCLAIMER Integrated Device Technology, Inc. (IDT) and its subsidiaries reserve the right to modify the products and/or specifications described herein at any time and at IDT's sole discretion. All information in this document, including descriptions of product features and performance, is subject to change without notice. Performance specifications and the operating parameters of the described products are determined in the independent state and are not guaranteed to perform the same way when installed in customer products. The information contained herein is provided without representation or warranty of any kind, whether express or implied, including, but not limited to, the suitability of IDT's products for any particular purpose, an implied warranty of merchantability, or non-infringement of the intellectual property rights of others. This document is presented only as a guide and does not convey any license under intellectual property rights of IDT or any third parties.

IDT's products are not intended for use in applications involving extreme environmental conditions or in life support systems or similar devices where the failure or malfunction of an IDT product can be reasonably expected to significantly affect the health or safety of users. Anyone using an IDT product in such a manner does so at their own risk, absent an express, written agreement by IDT.

Integrated Device Technology, IDT and the IDT logo are registered trademarks of IDT. Other trademarks and service marks used herein, including protected names, logos and designs, are the property of IDT or their respective third party owners.

Copyright 2015. All rights reserved.