

## 阅读申明

- 1.本站收集的数据手册和产品资料都来自互联网，版权归原作者所有。如读者和版权方有任何异议请及时告之，我们将妥善解决。
- 2.本站提供的中文数据手册是英文数据手册的中文翻译，其目的是协助用户阅读，该译文无法自动跟随原稿更新，同时也可能存在翻译上的不当。建议读者以英文原稿为参考以便获得更精准的信息。
- 3.本站提供的产品资料，来自厂商的技术支持或者使用者的心得体会等，其内容可能存在描述上的差异，建议读者做出适当判断。
- 4.如需与我们联系，请发邮件到marketing@iczoom.com，主题请标有“数据手册”字样。

## Read Statement

1. The datasheets and other product information on the site are all from network reference or other public materials, and the copyright belongs to the original author and original published source. If readers and copyright owners have any objections, please contact us and we will deal with it in a timely manner.
2. The Chinese datasheets provided on the website is a Chinese translation of the English datasheets. Its purpose is for reader's learning exchange only and do not involve commercial purposes. The translation cannot be automatically updated with the original manuscript, and there may also be improper translations. Readers are advised to use the English manuscript as a reference for more accurate information.
3. All product information provided on the website refer to solutions from manufacturers' technical support or users the contents may have differences in description, and readers are advised to take the original article as the standard.
4. If you have any questions, please contact us at marketing@iczoom.com and mark the subject with "Datasheets" .

# NB7L11M

## 2.5 V/3.3 V Differential 1:2 Clock/Data Fanout Buffer/Translator with CML Outputs and Internal Termination

### Description

The NB7L11M is a differential 1-to-2 clock/data distribution chip with internal source termination and CML output structure, optimized for low skew and minimal jitter. The device is functionally equivalent to the EP11, LVEP11, or SG11 devices. Device produces two identical output copies of clock or data operating up to 8 GHz or 12 Gb/s, respectively. As such, NB7L11M is ideal for SONET, GigE, Fiber Channel, Backplane and other clock/data distribution applications.

Inputs incorporate internal 50 Ω termination resistors and accept LVPECL, CML, LVCMOS, LVTTTL, or LVDS (See Table 6). Differential 16 mA CML output provides matching internal 50 Ω terminations, and 400 mV output swings when externally terminated, 50 Ω to V<sub>CC</sub> (See Figure 14).

The device is offered in a low profile 3x3 mm 16-pin QFN package. Application notes, models, and support documentation are available at [www.onsemi.com](http://www.onsemi.com).

### Features

- Maximum Input Clock Frequency up to 8 GHz Typical
- Maximum Input Data Rate up to 12 Gb/s Typical
- < 0.5 ps of RMS Clock Jitter
- < 10 ps of Data Dependent Jitter
- 30 ps Typical Rise and Fall Times
- 110 ps Typical Propagation Delay
- 3 ps Typical Within Device Skew
- Operating Range: V<sub>CC</sub> = 2.375 V to 3.465 V with V<sub>EE</sub> = 0 V
- CML Output Level (400 mV Peak-to-Peak Output) Differential Output Only
- 50 Ω Internal Input and Output Termination Resistors
- Functionally Compatible with Existing 2.5 V/3.3 V LVEL, LVEP, EP and SG Devices
- These Devices are Pb-Free, Halogen Free and are RoHS Compliant

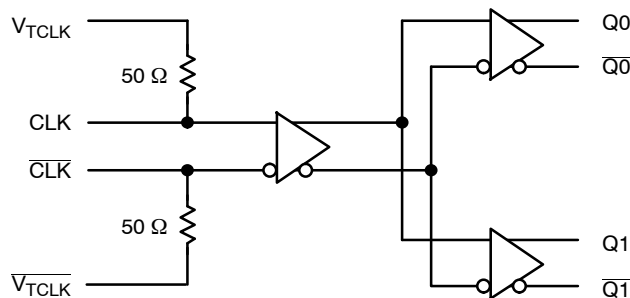


Figure 1. Logic Diagram



ON Semiconductor®

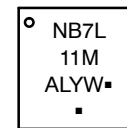
[www.onsemi.com](http://www.onsemi.com)



1

QFN-16  
MN SUFFIX  
CASE  
485G-01

### MARKING DIAGRAM\*



- A = Assembly Location
- L = Wafer Lot
- Y = Year
- W = Work Week
- = Pb-Free Package

(Note: Microdot may be in either location)

\*For additional marking information, refer to Application Note [AND8002/D](http://www.onsemi.com).

### ORDERING INFORMATION

Device	Package	Shipping†
NB7L11MMNG	QFN-16 (Pb-Free)	123 Units/Tube
NB7L11MMNR2G	QFN-16 (Pb-Free)	3000/Tape & Reel

†For information on tape and reel specifications, including part orientation and tape sizes, please refer to our Tape and Reel Packaging Specifications Brochure, [BRD8011/D](http://www.onsemi.com).

# NB7L11M

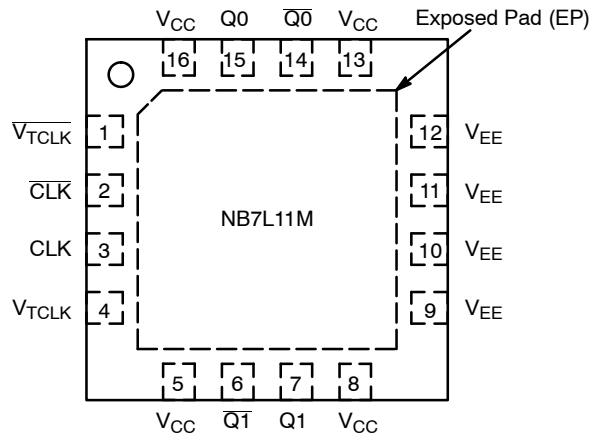


Figure 2. QFN-16 Pinout (Top View)

Table 1. PIN DESCRIPTION

Pin	Name	I/O	Description
1	$\overline{V_{TCLK}}$	-	Internal 50 $\Omega$ Termination Pin for $\overline{CLK}$
2	$\overline{CLK}$	LVPECL, CML, LVCMOS, LVTTTL, LVDS	Inverted Differential Clock/Data Input. (Note 1)
3	CLK	LVPECL, CML, LVCMOS, LVTTTL, LVDS	Non-inverted Differential Clock/Data Input. (Note 1)
4	$V_{TCLK}$	-	Internal 50 $\Omega$ Termination Pin for CLK
5,8,13,16	$V_{CC}$	-	Positive Supply Voltage. All $V_{CC}$ pins must be externally connected to a Power Supply to guarantee proper operation.
6	$\overline{Q_T}$	CML Output	Inverted $\overline{CLK}$ output 1 with internal 50 $\Omega$ source termination resistor. (Note 2)
7	Q1	CML Output	Non-inverted CLK output 1 with internal 50 $\Omega$ source termination resistor. (Note 2)
9,10,11,12	$V_{EE}$	-	Negative Supply Voltage. All $V_{EE}$ pins must be externally connected to a Power Supply to guarantee proper operation.
14	$\overline{Q_0}$	CML Output	Inverted $\overline{CLK}$ output 0 with internal 50 $\Omega$ source termination resistor. (Note 2)
15	Q0	CML Output	Non-inverted CLK output 0 with internal 50 $\Omega$ source termination resistor. (Note 2)
-	EP	-	Exposed Pad. The thermally exposed pad on package bottom (see case drawing) must be attached to a heatsinking conduit. It is recommended to connect the EP to the lower potential ( $V_{EE}$ ).

1. In the differential configuration when the input termination pins ( $V_{TCLK}$ ,  $\overline{V_{TCLK}}$ ) are connected to a common termination voltage or left open, and if no signal is applied on CLK and  $\overline{CLK}$  then the device will be susceptible to self-oscillation.
2. CML outputs require 50  $\Omega$  receiver termination resistor to  $V_{CC}$  for proper operation.

# NB7L11M

**Table 2. ATTRIBUTES**

Characteristics	Value
ESD Protection Human Body Model Machine Model Charged Device Model	> 1500 V > 50 V > 500 V
Moisture Sensitivity (Note 1)	Pb-Free Pkg
QFN-16	Level 1
Flammability Rating Oxygen Index: 28 to 34	UL 94 V-0 @ 0.125 in
Transistor Count	285
Meets or exceeds JEDEC Spec EIA/JESD78 IC Latchup Test	

1. For additional information, see Application Note [AND8003/D](#).

**Table 3. MAXIMUM RATINGS**

Symbol	Parameter	Condition 1	Condition 2	Rating	Unit
$V_{CC}$	Positive Power Supply	$V_{EE} = 0\text{ V}$		3.6	V
$V_I$	Input Voltage	$V_{EE} = 0\text{ V}$	$V_{EE} \pm V_I \pm V_{CC}$	3.6	V
$V_{INPP}$	Differential Input Voltage  CLK - $\overline{\text{CLK}}$	$V_{CC} - V_{EE} \geq 2.8\text{ V}$ $V_{CC} - V_{EE} < 2.8\text{ V}$		2.8   $V_{CC} - V_{EE}$	V
$I_{IN}$	Input Current Through $R_T$ (50 $\Omega$ Resistor)	Static Surge		45 80	mA
$I_{out}$	Output Current	Continuous Surge		25 50	mA
$T_A$	Operating Temperature Range	QFN-16		-40 to +85	$^{\circ}\text{C}$
$T_{stg}$	Storage Temperature Range			-65 to +150	$^{\circ}\text{C}$
$\theta_{JA}$	Thermal Resistance (Junction-to-Ambient) (Note 1)	0 lfpm 500 lfpm	QFN-16	42 36	$^{\circ}\text{C}/\text{W}$
$\theta_{JC}$	Thermal Resistance (Junction-to-Case)	2S2P (Note 1)	QFN-16	3 to 4	$^{\circ}\text{C}/\text{W}$
$T_{sol}$	Wave Solder (Pb-Free)			265	$^{\circ}\text{C}$

Stresses exceeding those listed in the Maximum Ratings table may damage the device. If any of these limits are exceeded, device functionality should not be assumed, damage may occur and reliability may be affected.

1. JEDEC standard multilayer board – 2S2P (2 signal, 2 power).

# NB7L11M

**Table 4. DC CHARACTERISTICS, CLOCK Inputs, CML Outputs**

( $V_{CC} = 2.375\text{ V to }3.465\text{ V}$ ,  $V_{EE} = 0\text{ V}$ ,  $T_A = -40^\circ\text{C to }+85^\circ\text{C}$ ) (Note 1)

Symbol	Characteristic	Min	Typ	Max	Unit
$I_{CC}$	Power Supply Current (Input and Outputs open)		85	105	mA
$V_{OH}$	Output HIGH Voltage (Note 2)	$V_{CC} - 60$	$V_{CC} - 20$	$V_{CC}$	mV
$V_{OL}$	Output LOW Voltage (Note 2)	$V_{CC} - 530$	$V_{CC} - 420$	$V_{CC} - 360$	mV

**Differential Input Driven Single-Ended** (see Figures 10 & 12) (Note 4)

$V_{th}$	Input Threshold Reference Voltage Range (Note 3)	1125		$V_{CC} - 75$	mV
$V_{IH}$	Single-ended Input HIGH Voltage (Note 4)	$V_{th} + 75$		$V_{CC}$	mV
$V_{IL}$	Single-ended Input LOW Voltage (Note 4)	$V_{EE}$		$V_{th} - 75$	mV

**Differential Inputs Driven Differentially** (see Figures 11 & 13) (Note 4)

$V_{IHCLK}$	Differential Input HIGH Voltage	1200		$V_{CC}$	mV
$V_{ILCLK}$	Differential Input LOW Voltage	$V_{EE}$		$V_{CC} - 75$	mV
$V_{CMR}$	Input Common Mode Range (Differential Configuration)	1163		$V_{CC} - 38$	mV
$V_{ID}$	Differential Input Voltage ( $V_{IHCLK} - V_{ILCLK}$ )	75		2500	mV
$I_{IH}$	Input HIGH Current CLK / $\overline{CLK}$ ( $V_{TCLK}/\sqrt{V_{TCLK}}$ Open)	0	25	100	$\mu\text{A}$
$I_{IL}$	Input LOW Current CLK / $\overline{CLK}$ ( $V_{TCLK}/\sqrt{V_{TCLK}}$ Open)	-10	0	10	$\mu\text{A}$
$R_{TIN}$	Internal Input Termination Resistor	45	50	55	$\Omega$
$R_{TOUT}$	Internal Output Termination Resistor	45	50	55	$\Omega$
$R_{Temp\ Coef}$	Internal I/O Termination Resistor Temperature Coefficient		6.38		$\text{m}\Omega/^\circ\text{C}$

NOTE: Device will meet the specifications after thermal equilibrium has been established when mounted in a test socket or printed circuit board with maintained transverse airflow greater than 500 lfm. Electrical parameters are guaranteed only over the declared operating temperature range. Functional operation of the device exceeding these conditions is not implied. Device specification limit values are applied individually under normal operating conditions and not valid simultaneously.

1. Input and output parameters vary 1:1 with  $V_{CC}$ .
2. CML outputs require  $50\ \Omega$  receiver termination resistors to  $V_{CC}$  for proper operation.
3.  $V_{th}$  is applied to the complementary input when operating in single-ended mode.
4.  $V_{CMR}$  min varies 1:1 with  $V_{EE}$ ,  $V_{CMR}$  max varies 1:1 with  $V_{CC}$ .

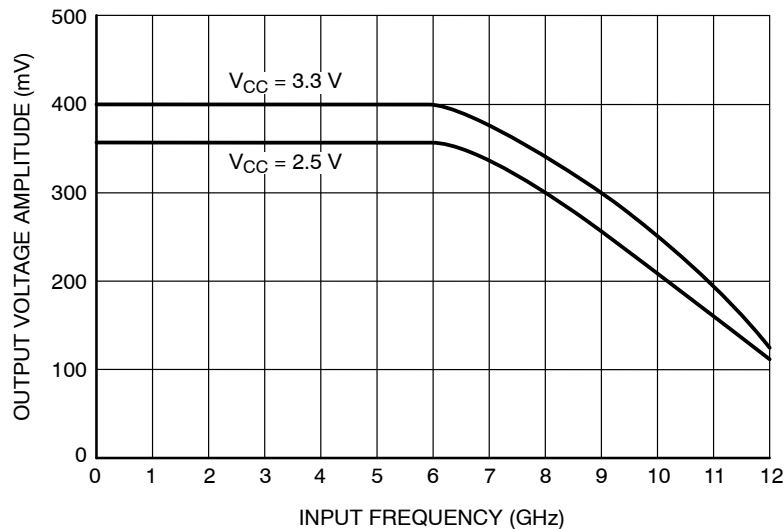
# NB7L11M

**Table 5. AC CHARACTERISTICS** ( $V_{CC} = 2.375\text{ V}$  to  $3.465\text{ V}$ ,  $V_{EE} = 0\text{ V}$ ; Note 1)

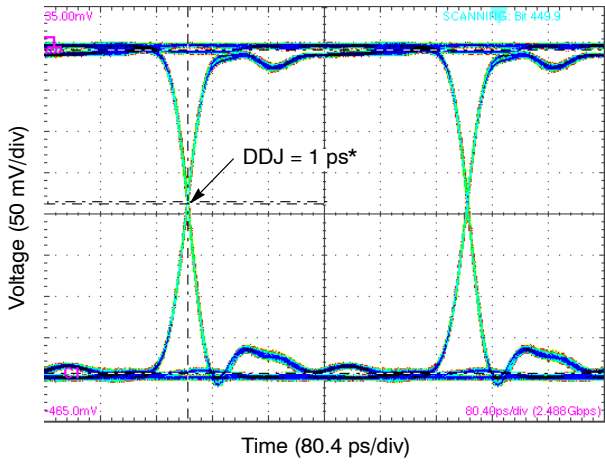
Symbol	Characteristic	-40°C			25°C			85°C			Unit
		Min	Typ	Max	Min	Typ	Max	Min	Typ	Max	
$V_{OUTPP}$	Output Voltage Amplitude (@ $V_{INPPmin}$ ) (See Figure 3) $f_{in} \leq 6\text{ GHz}$ $f_{in} \leq 8\text{ GHz}$	280 140	400 300		280 140	400 300		280 140	400 300		mV
$f_{data}$	Maximum Operating Data Rate	10	12		10	12		10	12		Gb/s
$t_{PLH}$ , $t_{PHL}$	Propagation Delay to Output Differential	70	110	150	70	110	150	70	110	150	ps
$t_{SKEW}$	Duty Cycle Skew (Note 2) Within-Device Skew Device-to-Device Skew (Note 3)		2.0 3.0 20	5.0 15 50		2.0 3.0 20	5.0 15 50		2.0 3.0 20	5.0 15 50	ps
$t_{JITTER}$	RMS Random Clock Jitter (Note 4) $f_{in} = 6\text{ GHz}$ $f_{in} = 8\text{ GHz}$ Peak/Peak Data Dependent Jitter (Note 5) $f_{in} = 2.488\text{ Gb/s}$ $f_{data} = 5\text{ Gb/s}$ $f_{data} = 10\text{ Gb/s}$		0.2 0.2	0.5 0.5		0.2 0.2	0.5 0.5		0.2 0.2	0.5 0.5	ps
$V_{INPP}$	Input Voltage Swing/Sensitivity (Differential Configuration) (Note 6)	75	400	2500	75	400	2500	75	400	2500	mV
$t_r$ $t_f$	Output Rise/Fall Times @ 1 GHz (20% – 80%) Q, Q		30	60		30	60		30	60	ps

NOTE: Device will meet the specifications after thermal equilibrium has been established when mounted in a test socket or printed circuit board with maintained transverse airflow greater than 500 lfm. Electrical parameters are guaranteed only over the declared operating temperature range. Functional operation of the device exceeding these conditions is not implied. Device specification limit values are applied individually under normal operating conditions and not valid simultaneously.

1. Measured by forcing  $V_{INPP}$  (TYP) from a 50% duty cycle clock source. All loading with an external  $R_L = 50\ \Omega$  to  $V_{CC}$ . Input edge rates 40 ps (20% – 80%).
2. Duty cycle skew is measured between differential outputs using the deviations of the sum of  $T_{pw-}$  and  $T_{pw+}$  @1 GHz.
3. Device to device skew is measured between outputs under identical transition @ 1 GHz.
4. Additive RMS jitter with 50% duty cycle clock signal at 8 GHz & 10 GHz.
5. Additive peak-to-peak data dependent jitter with input NRZ data at PRBS  $2^{23}-1$ .
6.  $V_{INPP}$  (MAX) cannot exceed  $V_{CC} - V_{EE}$ . Input voltage swing is a single-ended measurement operating in differential mode.

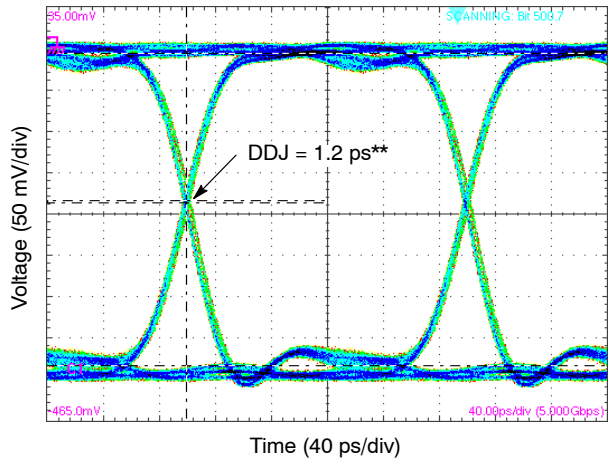


**Figure 3. Output Voltage Amplitude ( $V_{OUTPP}$ ) Versus Input Clock Frequency ( $f_{in}$ ) at Ambient Temperature (Typical) ( $V_{INPP} = 400\text{ mV}$ )**



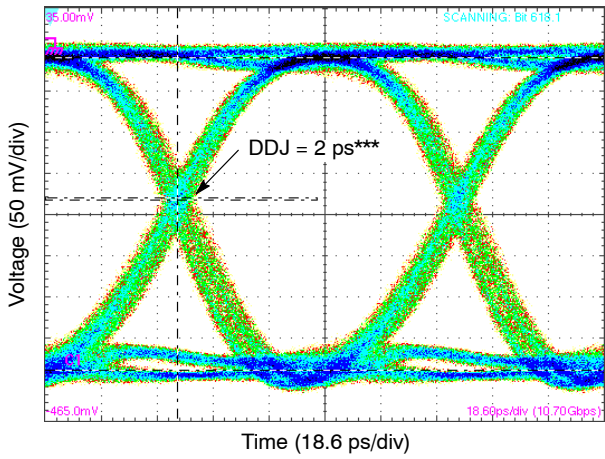
**Figure 4. Typical Output Waveform at 2.488 Gb/s with PRBS  $2^{23}-1$  ( $V_{inpp} = 75$  mV)**

\*Input signal DDJ = 6.4 ps



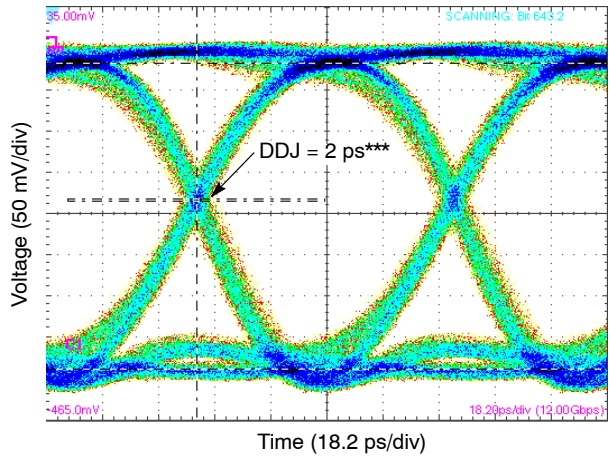
**Figure 5. Typical Output Waveform at 5 Gb/s with PRBS  $2^{23}-1$  ( $V_{inpp} = 75$  mV)**

\*\*Input signal DDJ = 7.2 ps



**Figure 6. Typical Output Waveform at 10.7 Gb/s with PRBS  $2^{23}-1$  ( $V_{inpp} = 75$  mV)**

\*\*\*Input signal DDJ = 11 ps



**Figure 7. Typical Output Waveform at 12 Gb/s with PRBS  $2^{23}-1$  ( $V_{inpp} = 75$  mV)**

\*\*\*Input signal DDJ = 13 ps

# NB7L11M

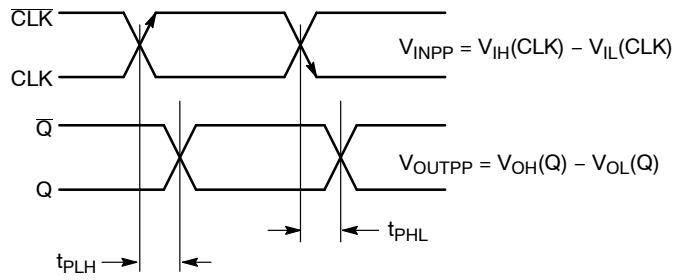


Figure 8. AC Reference Measurement

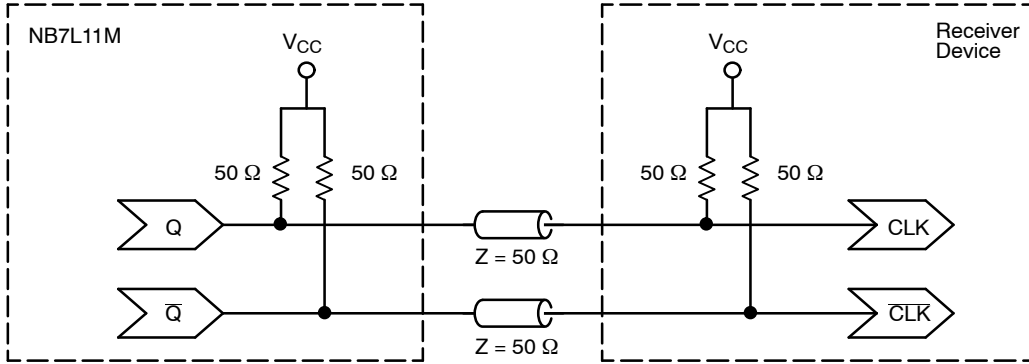


Figure 9. Typical Termination for Output Driver Using External Termination Resistor (Refer to Application Notes [AND8020/D](#) and [AND8173/D](#))

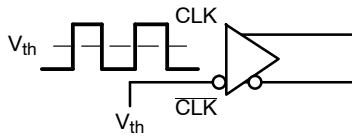


Figure 10. Differential Input Driven Single-Ended

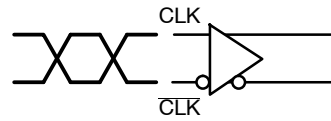


Figure 11. Differential Inputs Driven Differentially

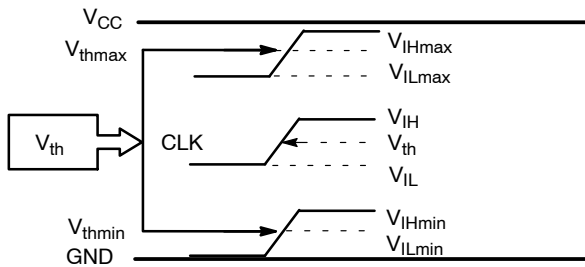


Figure 12.  $V_{th}$  Diagram

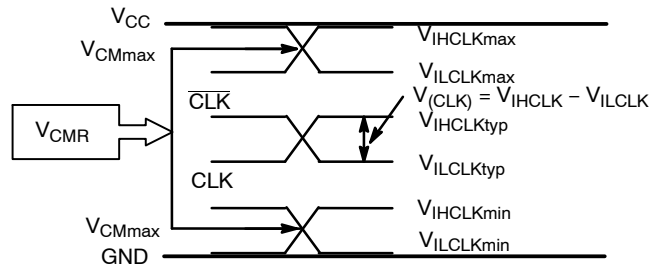


Figure 13.  $V_{CMR}$  Diagram



## NB7L11M

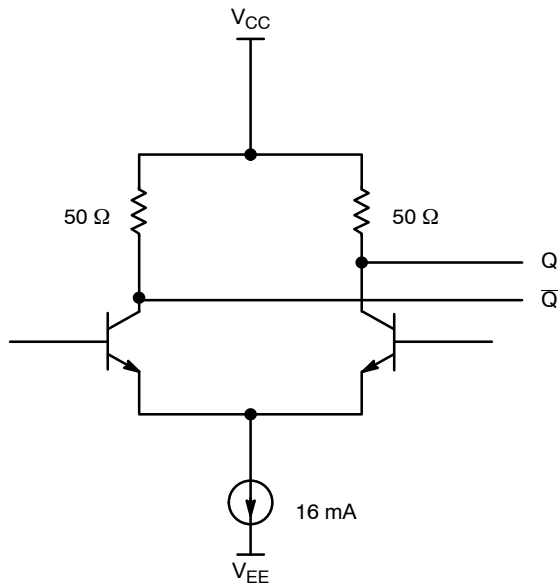


Figure 14. CML Output Structure

Table 6. INTERFACING OPTIONS

INTERFACING OPTIONS	CONNECTIONS
CML	Connect $V_{TCLK}$ , $\overline{V_{TCLK}}$ to $V_{CC}$
LVDS	Connect $V_{TCLK}$ , $\overline{V_{TCLK}}$ together CLK input
AC-COUPLED	Bias $V_{TCLK}$ , $\overline{V_{TCLK}}$ Inputs within ( $V_{CMR}$ ) Common Mode Range
RSECL, LVPECL	Standard ECL Termination Techniques. See AND8020/D.
LVTTTL, LVCMOS	An external voltage should be applied to the unused complementary differential input. Nominal voltage is 1.5 V for LVTTTL and $V_{CC}/2$ for LVCMOS inputs.

# NB7L11M

## Application Information

All NB7L11M inputs can accept PECL, CML, LVTTTL, LVC MOS and LVDS signal levels. The limitations for differential input signal (LVDS, PECL, or CML) are

minimum input swing of 75 mV and the maximum input swing of 2500 mV. Within these conditions, the input voltage can range from  $V_{CC}$  to 1.2 V. Examples interfaces are illustrated below in a 50  $\Omega$  environment ( $Z = 50 \Omega$ ).

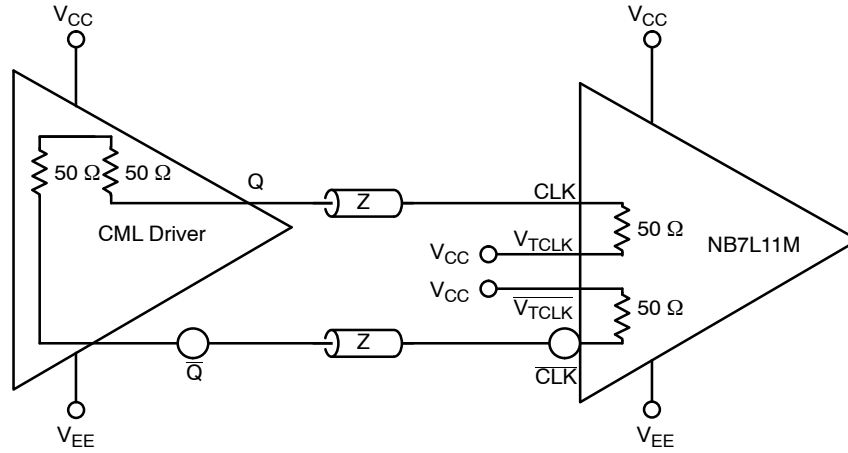


Figure 15. CML to CML Interface

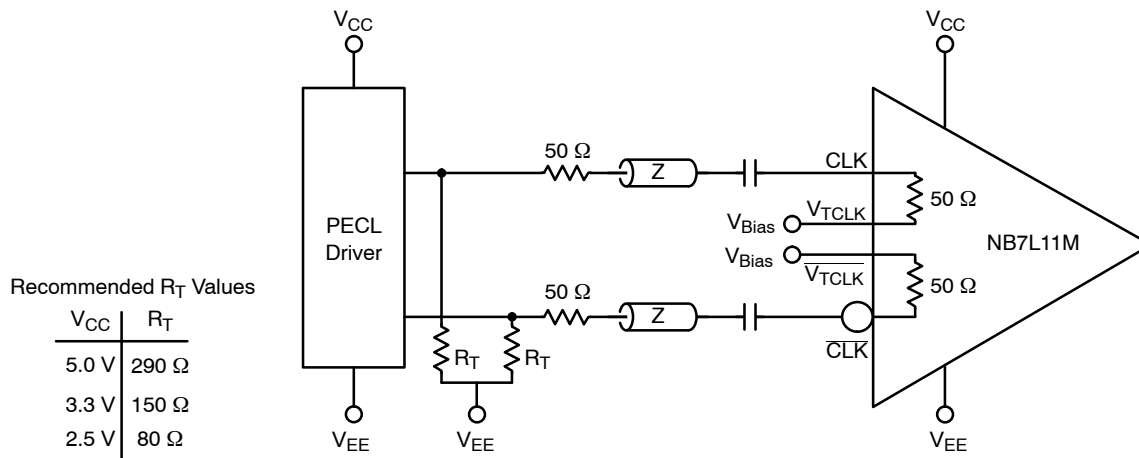


Figure 16. PECL to CML Receiver Interface

# NB7L11M

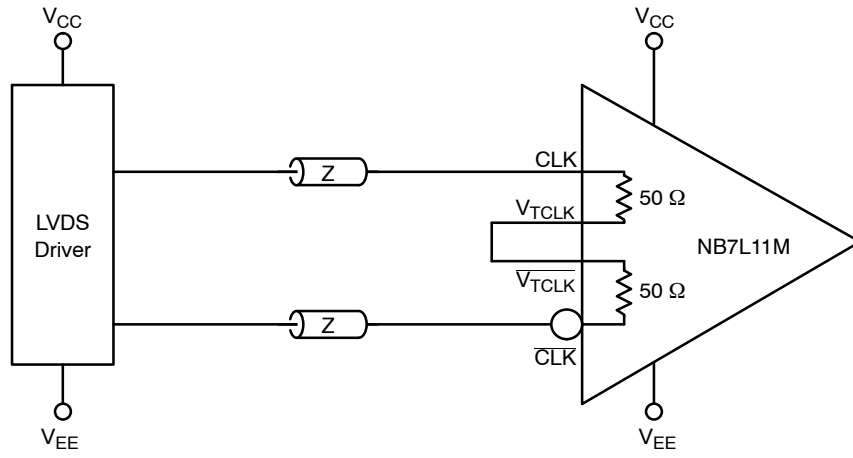


Figure 17. LVDS to CML Receiver Interface

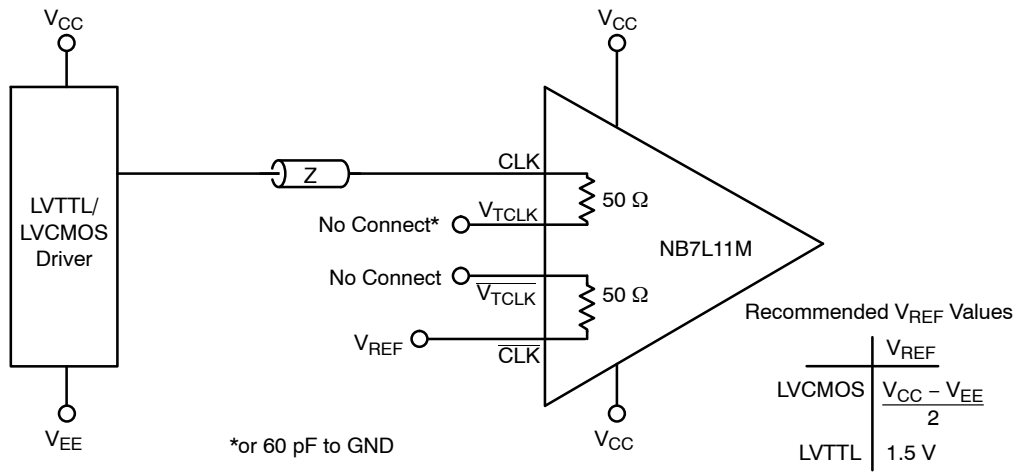
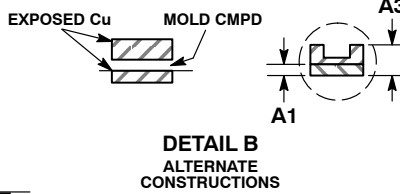
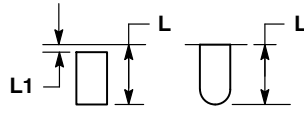
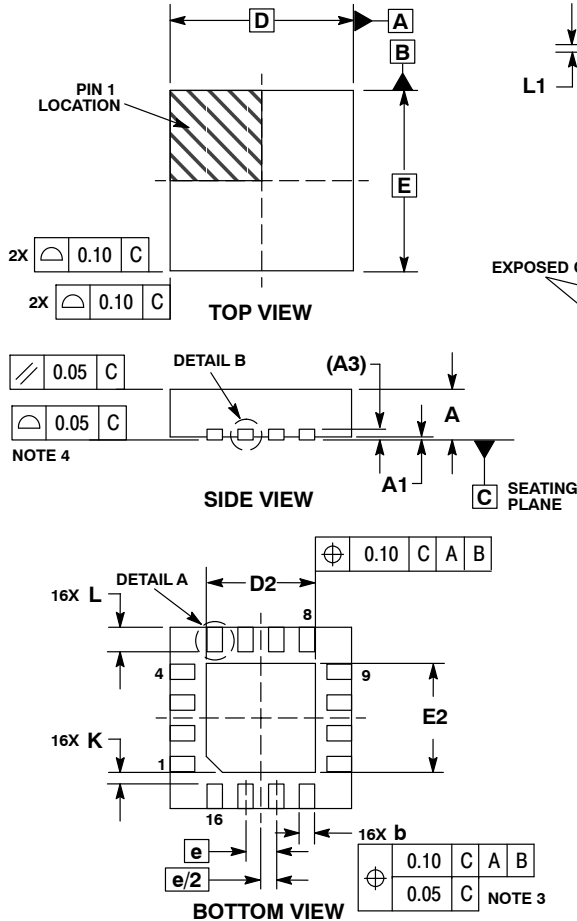


Figure 18. LVCMOS/LVTTL to CML Receiver Interface

# NB7L11M

## PACKAGE DIMENSIONS

QFN16 3x3, 0.5P  
CASE 485G-01  
ISSUE F

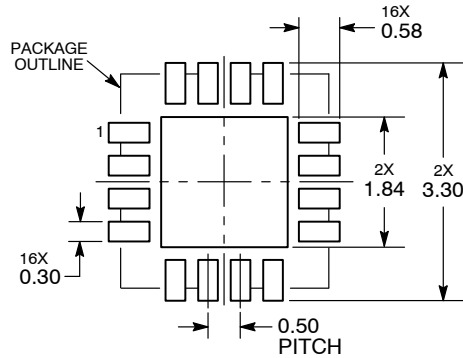


**NOTES:**

1. DIMENSIONING AND TOLERANCING PER ASME Y14.5M, 1994.
2. CONTROLLING DIMENSION: MILLIMETERS.
3. DIMENSION b APPLIES TO PLATED TERMINAL AND IS MEASURED BETWEEN 0.25 AND 0.30 MM FROM TERMINAL.
4. COPLANARITY APPLIES TO THE EXPOSED PAD AS WELL AS THE TERMINALS.

DIM	MILLIMETERS		
	MIN	NOM	MAX
A	0.80	0.90	1.00
A1	0.00	0.03	0.05
A3	0.20 REF		
b	0.18	0.24	0.30
D	3.00 BSC		
D2	1.65	1.75	1.85
E	3.00 BSC		
E2	1.65	1.75	1.85
e	0.50 BSC		
K	0.18 TYP		
L	0.30	0.40	0.50
L1	0.00	0.08	0.15

### RECOMMENDED SOLDERING FOOTPRINT\*



DIMENSIONS: MILLIMETERS

\*For additional information on our Pb-Free strategy and soldering details, please download the ON Semiconductor Soldering and Mounting Techniques Reference Manual, [SOLDDRRM/D](#).

ECLinPS is a registered trademark of Semiconductor Components Industries, LLC (SCILLC) or its subsidiaries in the United States and/or other countries.

ON Semiconductor and are trademarks of Semiconductor Components Industries, LLC dba ON Semiconductor or its subsidiaries in the United States and/or other countries. ON Semiconductor owns the rights to a number of patents, trademarks, copyrights, trade secrets, and other intellectual property. A listing of ON Semiconductor's product/patent coverage may be accessed at [www.onsemi.com/site/pdf/Patent-Marking.pdf](http://www.onsemi.com/site/pdf/Patent-Marking.pdf). ON Semiconductor reserves the right to make changes without further notice to any products herein. ON Semiconductor makes no warranty, representation or guarantee regarding the suitability of its products for any particular purpose, nor does ON Semiconductor assume any liability arising out of the application or use of any product or circuit, and specifically disclaims any and all liability, including without limitation special, consequential or incidental damages. Buyer is responsible for its products and applications using ON Semiconductor products, including compliance with all laws, regulations and safety requirements or standards, regardless of any support or applications information provided by ON Semiconductor. "Typical" parameters which may be provided in ON Semiconductor data sheets and/or specifications can and do vary in different applications and actual performance may vary over time. All operating parameters, including "Typicals" must be validated for each customer application by customer's technical experts. ON Semiconductor does not convey any license under its patent rights nor the rights of others. ON Semiconductor products are not designed, intended, or authorized for use as a critical component in life support systems or any FDA Class 3 medical devices or medical devices with a same or similar classification in a foreign jurisdiction or any devices intended for implantation in the human body. Should Buyer purchase or use ON Semiconductor products for any such unintended or unauthorized application, Buyer shall indemnify and hold ON Semiconductor and its officers, employees, subsidiaries, affiliates, and distributors harmless against all claims, costs, damages, and expenses, and reasonable attorney fees arising out of, directly or indirectly, any claim of personal injury or death associated with such unintended or unauthorized use, even if such claim alleges that ON Semiconductor was negligent regarding the design or manufacture of the part. ON Semiconductor is an Equal Opportunity/Affirmative Action Employer. This literature is subject to all applicable copyright laws and is not for resale in any manner.

### PUBLICATION ORDERING INFORMATION

**LITERATURE FULFILLMENT:**  
Literature Distribution Center for ON Semiconductor  
19521 E. 32nd Pkwy, Aurora, Colorado 80011 USA  
**Phone:** 303-675-2175 or 800-344-3860 Toll Free USA/Canada  
**Fax:** 303-675-2176 or 800-344-3867 Toll Free USA/Canada  
**Email:** [orderlit@onsemi.com](mailto:orderlit@onsemi.com)

**N. American Technical Support:** 800-282-9855 Toll Free  
USA/Canada  
**Europe, Middle East and Africa Technical Support:**  
Phone: 421 33 790 2910  
**Japan Customer Focus Center**  
Phone: 81-3-5817-1050

**ON Semiconductor Website:** [www.onsemi.com](http://www.onsemi.com)  
**Order Literature:** <http://www.onsemi.com/orderlit>  
For additional information, please contact your local Sales Representative