

## 阅读申明

- 1.本站收集的数据手册和产品资料都来自互联网，版权归原作者所有。如读者和版权方有任何异议请及时告之，我们将妥善解决。
- 2.本站提供的中文数据手册是英文数据手册的中文翻译，其目的是协助用户阅读，该译文无法自动跟随原稿更新，同时也可能存在翻译上的不当。建议读者以英文原稿为参考以便获得更精准的信息。
- 3.本站提供的产品资料，来自厂商的技术支持或者使用者的心得体会等，其内容可能存在描述上的差异，建议读者做出适当判断。
- 4.如需与我们联系，请发邮件到marketing@iczoom.com，主题请标有“数据手册”字样。

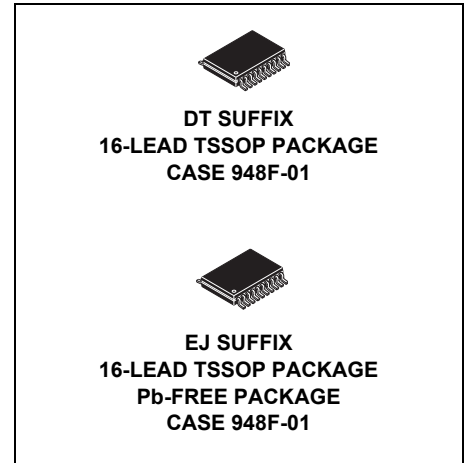
## Read Statement

1. The datasheets and other product information on the site are all from network reference or other public materials, and the copyright belongs to the original author and original published source. If readers and copyright owners have any objections, please contact us and we will deal with it in a timely manner.
2. The Chinese datasheets provided on the website is a Chinese translation of the English datasheets. Its purpose is for reader's learning exchange only and do not involve commercial purposes. The translation cannot be automatically updated with the original manuscript, and there may also be improper translations. Readers are advised to use the English manuscript as a reference for more accurate information.
3. All product information provided on the website refer to solutions from manufacturers' technical support or users the contents may have differences in description, and readers are advised to take the original article as the standard.
4. If you have any questions, please contact us at marketing@iczoom.com and mark the subject with "Datasheets" .

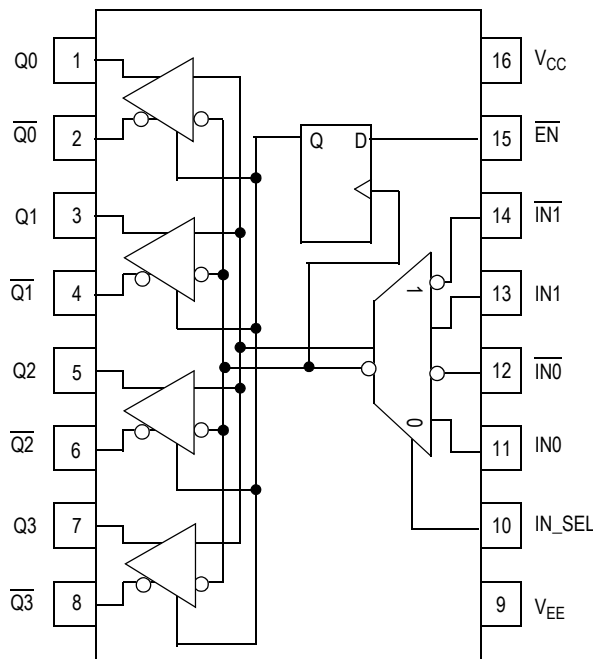
The MC100ES6130 is a 2.5 GHz differential PECL 1:4 fanout buffer. The ES6130 offers a wide operating range of 2.5 V and 3.3 V and also features a 2:1 input MUX which is ideal for redundant clock switchover applications. This device also includes a synchronous enable pin that forces the outputs into a fixed logic state. Enable or disable state is initiated only after the outputs are in a LOW state to eliminate the possibility of a runt clock pulse.

**Features**

- 2 GHz maximum output frequency
- 25 ps maximum output-to-output skew
- 150 ps part-to-part skew
- 350 ps typical propagation delay
- 2:1 differential MUX input
- 2.5 / 3.3 V operating range
- LVPECL and HSTL input compatible
- 16-lead TSSOP package
- Temperature range -40°C to +85°C
- 16-lead Pb-free package available



ORDERING INFORMATION	
Device	Package
MC100ES6130DT	TSSOP-16
MC100ES6130DTR2	TSSOP-16
MC100ES6130EJ	TSSOP-16 (Pb-Free)
MC100ES6130EJR2	TSSOP-16 (Pb-Free)



**Figure 1. 16-Lead Pinout (Top View) and Logic Diagram**

**Table 1. Pin Description**

Number	Name	Description
1, 2, 3, 4, 5, 6, 7, 8	$\overline{Q0}$ to $\overline{Q3}$ $Q0$ to $Q3$	LVPECL differential outputs: Terminate with $50\Omega$ to $V_{CC} - 2V$ . For single-ended applications, terminate the unused output with $50\Omega$ to $V_{CC} - 2V$ .
9	$V_{EE}$	Negative power supply: For LVPECL applications, connect to GND.
10	IN_SEL	LVPECL compatible 2:1 mux input signal select: When IN_SEL is LOW, the IN0 input pair is selected. When IN_SEL is HIGH, the IN1 input pair is selected. Includes a $75k\Omega$ pulldown. Default state is LOW and IN0 is selected.
11, 12, 13, 14	IN0, $\overline{IN0}$ IN1, $\overline{IN1}$	LVPECL, HSTL clock or data inputs. Internal $75k\Omega$ pulldown resistors on IN0 and IN1. Internal $75k\Omega$ pullup and $75k\Omega$ pulldown resistors on $\overline{IN0}$ , $\overline{IN1}$ . $\overline{IN0}$ , $\overline{IN1}$ default condition is $V_{CC}/2$ when left floating. IN0, IN1 default condition is LOW when left floating.
15	$\overline{EN}$	LVPECL compatible synchronous enable: When $\overline{EN}$ goes HIGH, $Q_{OUT}$ will go LOW and $\overline{Q}_{OUT}$ will go HIGH on the next LOW input clock transition. Includes a $75k\Omega$ pulldown. Default state is LOW when left floating. The internal latch is clocked on the falling edge of the input (IN0, IN1).
16	$V_{CC}$	Positive power supply: Bypass with $0.1\mu F/0.01\mu F$ low ESR capacitors.

**Table 2. Truth Table<sup>(1)</sup>**

IN0	IN1	IN_SEL	$\overline{EN}$	Q
L	X	L	L	L
H	X	L	L	H
X	L	H	L	L
X	H	H	L	H
Z	X	L	H	L
X	Z	H	H	L

1. Z = HIGH to LOW Transition  
X = Don't Care

**Table 3. General Specifications**

Characteristics		Value
Internal Input Pulldown Resistor		$75k\Omega$
Internal Input Pullup Resistor		$75k\Omega$
ESD Protection	Human Body Model	$> 2000V$
	Machine Model	$> 200V$
	Charged Device Model	$> 1500V$
$\theta_{JA}$ Thermal Resistance (Junction-to-Ambient)	0 LFPM, 16 TSSOP	$138^{\circ}C/W$
	500 LFPM, 16 TSSOP	$108^{\circ}C/W$

Meets or exceeds JEDEC Spec EIA/JESD78 IC Latchup Test

**Table 4. Absolute Maximum Ratings<sup>(1)</sup>**

Symbol	Rating	Conditions	Rating	Units
V <sub>SUPPLY</sub>	Power Supply Voltage	Difference between V <sub>CC</sub> & V <sub>EE</sub>	3.9	V
V <sub>IN</sub>	Input Voltage	V <sub>CC</sub> - V <sub>EE</sub> ≤ 3.6 V	V <sub>CC</sub> + 0.3 V <sub>EE</sub> - 0.3	V V
I <sub>out</sub>	Output Current	Continuous Surge	50 100	mA mA
T <sub>A</sub>	Operating Temperature Range		-40 to +85	°C
T <sub>STG</sub>	Storage Temperature Range		-65 to +150	°C

1. Absolute maximum continuous ratings are those maximum values beyond which damage to the device may occur. Exposure to these conditions or conditions beyond those indicated may adversely affect device reliability. Functional operation at absolute-maximum-rated conditions is not implied.

**Table 5. DC Characteristics** (V<sub>CC</sub> = 0 V, V<sub>EE</sub> = -2.5 V ±5% or V<sub>CC</sub> = 2.5 V ±5%, V<sub>EE</sub> = 0 V)

Symbol	Characteristic	-40°C			0°C to 85°C			Unit
		Min	Typ	Max	Min	Typ	Max	
I <sub>EE</sub>	Power Supply Current		45	70		45	70	mA
V <sub>OH</sub>	Output HIGH Voltage <sup>(1)</sup>	V <sub>CC</sub> - 1250	V <sub>CC</sub> - 990	V <sub>CC</sub> - 800	V <sub>CC</sub> - 1200	V <sub>CC</sub> - 960	V <sub>CC</sub> - 750	mV
V <sub>OL</sub>	Output LOW Voltage <sup>(1)</sup>	V <sub>CC</sub> - 2000	V <sub>CC</sub> - 1550	V <sub>CC</sub> - 1150	V <sub>CC</sub> - 1925	V <sub>CC</sub> - 1630	V <sub>CC</sub> - 1200	mV
V <sub>outPP</sub>	Output Peak-to-Peak Voltage	200			200			mV
V <sub>IH</sub>	Input HIGH Voltage	V <sub>CC</sub> - 1165		V <sub>CC</sub> - 880	V <sub>CC</sub> - 1165		V <sub>CC</sub> - 880	mV
V <sub>IL</sub>	Input LOW Voltage	V <sub>CC</sub> - 1810		V <sub>CC</sub> - 1475	V <sub>CC</sub> - 1810		V <sub>CC</sub> - 1475	mV
V <sub>PP</sub>	Differential Input Voltage <sup>(2)</sup>	0.12		1.3	0.12		1.3	V
V <sub>CMR</sub>	Differential Cross Point Voltage <sup>(3)</sup>	V <sub>EE</sub> + 0.2		V <sub>CC</sub> - 1.0	V <sub>EE</sub> + 0.2		V <sub>CC</sub> - 1.0	V
I <sub>IN</sub>	Input Current			±150			±150	μA

1. Output termination voltage V<sub>TT</sub> = 0 V for V<sub>CC</sub> = 2.5 V operation is supported but the power consumption of the device will increase.
2. V<sub>PP</sub> (DC) is the minimum differential input voltage swing required to maintain device functionality.
3. V<sub>CMR</sub> (DC) is the cross point of the differential input signal. Functional operation is obtained when the cross point is within the V<sub>CMR</sub> (DC) range and the input swing lies within the V<sub>PP</sub> (DC) specification.

**Table 6. DC Characteristics** (V<sub>CC</sub> = 0 V, V<sub>EE</sub> = -3.8 to 3.135 V or V<sub>CC</sub> = 3.135 to 3.8 V, V<sub>EE</sub> = 0 V)

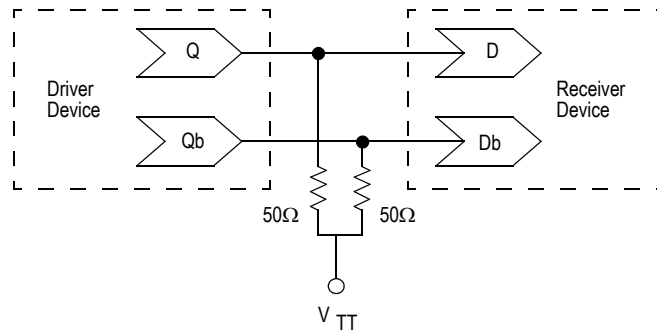
Symbol	Characteristic	-40°C			0°C to 85°C			Unit
		Min	Typ	Max	Min	Typ	Max	
I <sub>EE</sub>	Power Supply Current		48	70		48	70	mA
V <sub>OH</sub>	Output HIGH Voltage <sup>(1)</sup>	V <sub>CC</sub> - 1150	V <sub>CC</sub> - 1020	V <sub>CC</sub> - 800	V <sub>CC</sub> - 1200	V <sub>CC</sub> - 970	V <sub>CC</sub> - 750	mV
V <sub>OL</sub>	Output LOW Voltage <sup>(1)</sup>	V <sub>CC</sub> - 1950	V <sub>CC</sub> - 1620	V <sub>CC</sub> - 1250	V <sub>CC</sub> - 2000	V <sub>CC</sub> - 1680	V <sub>CC</sub> - 1300	mV
V <sub>outPP</sub>	Output Peak-to-Peak Voltage	200			200			mV
V <sub>IH</sub>	Input HIGH Voltage	V <sub>CC</sub> - 1165		V <sub>CC</sub> - 880	V <sub>CC</sub> - 1165		V <sub>CC</sub> - 880	mV
V <sub>IL</sub>	Input LOW Voltage	V <sub>CC</sub> - 1810		V <sub>CC</sub> - 1475	V <sub>CC</sub> - 1810		V <sub>CC</sub> - 1475	mV
V <sub>PP</sub>	Differential Input Voltage <sup>(2)</sup>	0.12		1.3	0.12		1.3	V
V <sub>CMR</sub>	Differential Cross Point Voltage <sup>(3)</sup>	V <sub>EE</sub> + 0.2		V <sub>CC</sub> - 1.1	V <sub>EE</sub> + 0.2		V <sub>CC</sub> - 1.1	V
I <sub>IN</sub>	Input Current			±150			±150	μA

1. Output termination voltage V<sub>TT</sub> = 0 V for V<sub>CC</sub> = 2.5 V operation is supported but the power consumption of the device will increase.
2. V<sub>PP</sub> (DC) is the minimum differential input voltage swing required to maintain device functionality.
3. V<sub>CMR</sub> (DC) is the crosspoint of the differential input signal. Functional operation is obtained when the crosspoint is within the V<sub>CMR</sub> (DC) range and the input swing lies within the V<sub>PP</sub> (DC) specification.

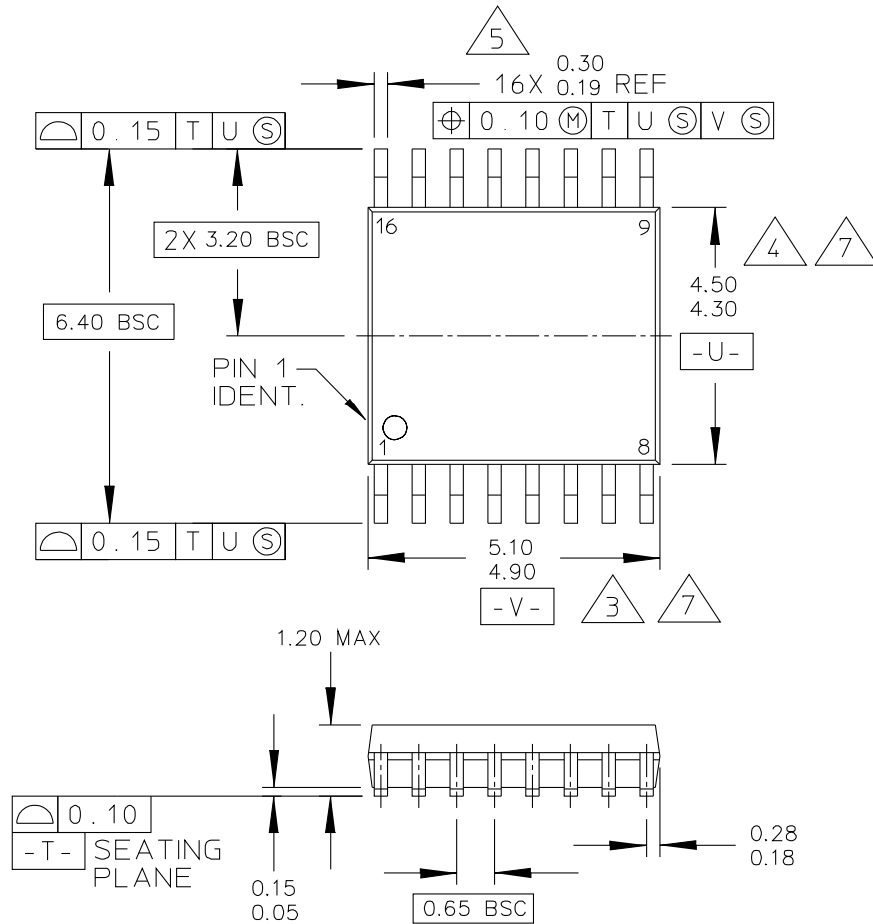
**Table 7. AC Characteristics** ( $V_{CC} = 0\text{ V}$ ,  $V_{EE} = -3.8\text{ V}$  to  $-2.375\text{ V}$ ;  $V_{CC} = 2.375$  to  $3.8\text{ V}$ ,  $V_{EE} = 0\text{ V}$ )<sup>(1)</sup>

Symbol	Characteristic	-40°C			25°C			85°C			Unit
		Min	Typ	Max	Min	Typ	Max	Min	Typ	Max	
$f_{\max}$	Maximum Frequency	2			2			2			GHz
$t_{\text{PLH}} / t_{\text{PHL}}$	Propagation Delay to Output Differential CLK to Q, $\bar{Q}$	300	340	450	300	350	450	300	350	475	ps
$t_{\text{SKEW}}$	Skew <sup>(2)</sup> output-to-output part-to-part		15	25 125		15	25 150		15	25 150	ps ps
$t_{\text{JITTER}}$	Cycle-to-Cycle Jitter RMS ( $1\sigma$ )			1			1			1	ps
$V_{\text{PP}}$	Minimum Input Swing	200		1200	200		1200	200		1200	mV
$V_{\text{CMR}}$	Differential Cross Point Voltage	$V_{\text{EE}} + 0.2$		$V_{\text{CC}} - 1.2$	$V_{\text{EE}} + 0.2$		$V_{\text{CC}} - 1.2$	$V_{\text{EE}} + 0.2$		$V_{\text{CC}} - 1.2$	V
$t_r / t_f$	Output Rise/Fall Times (20% – 80% @ 50 MHz)	70		225	70		250	70		275	ps

1. Measured using a 750 mV source, 50% Duty Cycle clock source. All loading with 50 ohms to  $V_{CC} - 2.0\text{ V}$ .
2. Skew is measured between outputs under identical transitions.

**Figure 2. Typical Termination for Output Driver and Device Evaluation**

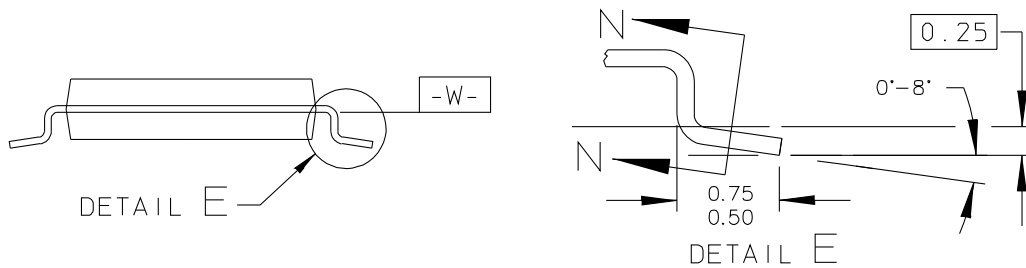
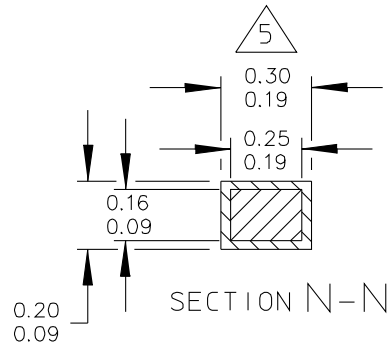
**PACKAGE DIMENSIONS**



© FREESCALE SEMICONDUCTOR, INC. ALL RIGHTS RESERVED.	MECHANICAL OUTLINE	PRINT VERSION NOT TO SCALE	
TITLE:  16 LD TSSOP, PITCH 0.65MM	DOCUMENT NO: 98ASH70247A	REV: B	
	CASE NUMBER: 948F-01	19 MAY 2005	
	STANDARD: JEDEC		

**CASE 948F-01  
 ISSUE B  
 16-LEAD TSSOP PACKAGE**

**PACKAGE DIMENSIONS**



© FREESCALE SEMICONDUCTOR, INC. ALL RIGHTS RESERVED.	MECHANICAL OUTLINE	PRINT VERSION NOT TO SCALE	
TITLE:  16 LD TSSOP, PITCH 0.65MM	DOCUMENT NO: 98ASH70247A	REV: B	
	CASE NUMBER: 948F-01	19 MAY 2005	
	STANDARD: JEDEC		

**CASE 948F-01  
ISSUE B  
16-LEAD TSSOP PACKAGE**

**PACKAGE DIMENSIONS**

## NOTES:

1. CONTROLLING DIMENSION: MILLIMETER
2. DIMENSIONS AND TOLERANCES PER ANSI Y14.5M-1982.
3. DIMENSION DOES NOT INCLUDE MOLD FLASH, PROTRUSIONS OR GATE BURRS. MOLD FLASH OR GATE BURRS SHALL NOT EXCEED 0.15 PER SIDE.
4. DIMENSION DOES NOT INCLUDE INTERLEAD FLASH OR PROTRUSION. INTERLEAD FLASH OR PROTRUSION SHALL NOT EXCEED 0.25 PER SIDE.
5. DIMENSION DOES NOT INCLUDE DAMBAR PROTRUSION. ALLOWABLE DAMBAR PROTRUSION SHALL BE 0.08 TOTAL IN EXCESS OF THE DIMENSION AT MAXIMUM MATERIAL CONDITION.
6. TERMINAL NUMBERS ARE SHOWN FOR REFERENCE ONLY.
7. DIMENSIONS ARE TO BE DETERMINED AT DATUM PLANE -W-.

© FREESCALE SEMICONDUCTOR, INC. ALL RIGHTS RESERVED.	MECHANICAL OUTLINE	PRINT VERSION NOT TO SCALE	
TITLE:  16 LD TSSOP, PITCH 0.65MM	DOCUMENT NO: 98ASH70247A	REV: B	
	CASE NUMBER: 948F-01	19 MAY 2005	
	STANDARD: JEDEC		

PAGE 3 OF 3

**CASE 948F-01  
ISSUE B  
16-LEAD TSSOP PACKAGE**



## Revision History Sheet

Rev	Table	Page	Description of Change	Date
4		1	Product Discontinuance Notice – Last Time Buy Expires on (12/7/2013)	12/19/12

## We've Got Your Timing Solution



6024 Silver Creek Valley Road  
San Jose, California 95138

**Sales**  
800-345-7015 (inside USA)  
+408-284-8200 (outside USA)  
Fax: 408-284-2775  
[www.IDT.com/go/contactIDT](http://www.IDT.com/go/contactIDT)

**Technical Support**  
[netcom@idt.com](mailto:netcom@idt.com)  
+480-763-2056

DISCLAIMER Integrated Device Technology, Inc. (IDT) and its subsidiaries reserve the right to modify the products and/or specifications described herein at any time and at IDT's sole discretion. All information in this document, including descriptions of product features and performance, is subject to change without notice. Performance specifications and the operating parameters of the described products are determined in the independent state and are not guaranteed to perform the same way when installed in customer products. The information contained herein is provided without representation or warranty of any kind, whether express or implied, including, but not limited to, the suitability of IDT's products for any particular purpose, an implied warranty of merchantability, or non-infringement of the intellectual property rights of others. This document is presented only as a guide and does not convey any license under intellectual property rights of IDT or any third parties.

IDT's products are not intended for use in applications involving extreme environmental conditions or in life support systems or similar devices where the failure or malfunction of an IDT product can be reasonably expected to significantly affect the health or safety of users. Anyone using an IDT product in such a manner does so at their own risk, absent an express, written agreement by IDT.

Integrated Device Technology, IDT and the IDT logo are registered trademarks of IDT. Other trademarks and service marks used herein, including protected names, logos and designs, are the property of IDT or their respective third party owners.

Copyright 2012. All rights reserved.