

阅读申明

- 1.本站收集的数据手册和产品资料都来自互联网，版权归原作者所有。如读者和版权方有任何异议请及时告之，我们将妥善解决。
- 2.本站提供的中文数据手册是英文数据手册的中文翻译，其目的是协助用户阅读，该译文无法自动跟随原稿更新，同时也可能存在翻译上的不当。建议读者以英文原稿为参考以便获得更精准的信息。
- 3.本站提供的产品资料，来自厂商的技术支持或者使用者的心得体会等，其内容可能存在描述上的差异，建议读者做出适当判断。
- 4.如需与我们联系，请发邮件到marketing@iczoom.com，主题请标有“数据手册”字样。

Read Statement

1. The datasheets and other product information on the site are all from network reference or other public materials, and the copyright belongs to the original author and original published source. If readers and copyright owners have any objections, please contact us and we will deal with it in a timely manner.
2. The Chinese datasheets provided on the website is a Chinese translation of the English datasheets. Its purpose is for reader's learning exchange only and do not involve commercial purposes. The translation cannot be automatically updated with the original manuscript, and there may also be improper translations. Readers are advised to use the English manuscript as a reference for more accurate information.
3. All product information provided on the website refer to solutions from manufacturers' technical support or users the contents may have differences in description, and readers are advised to take the original article as the standard.
4. If you have any questions, please contact us at marketing@iczoom.com and mark the subject with "Datasheets" .

PLL Clock Generator ICs with Built-In Divider/Multiplier Circuits (For Low Frequency Range)

GENERAL DESCRIPTION

The XC25BS5 series are high frequency, low power consumption PLL clock generator ICs with divider circuit & multiplier PLL circuit.

Laser trimming gives the option of being able to select from divider ratios (M) of 1,3 to 2047 and multiplier ratios (N) of 6 to 2047.

Output frequency (Q0) is equal to reference oscillation (fCLKin) multiplied by N/M, within a range of 3MHz to 30MHz. Q1 output is selectable from input reference frequency (f0), input reference frequency/2 (f0/2), ground (GND), and comparative frequency (f0/M). Further, comparative frequencies, within a range of 12KHz to 500KHz, can be obtained by dividing the reference oscillation. By halting operation via the CE pin, consumption current can be controlled and output will be one of high-impedance.

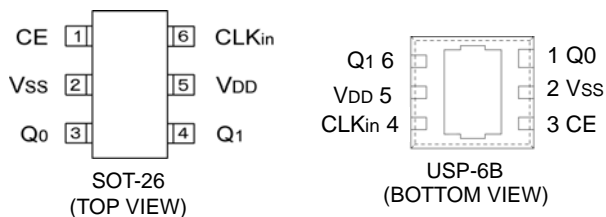
APPLICATIONS

- Crystal oscillation modules
- Personal computers
- PDA's
- Portable audio systems
- Various system clocks

FEATURES

- Output Frequency** : 3MHz ~ 30MHz (Q0=fCLKin x N/M)
- Input Frequency (fCLKin)** : 12kHz ~ 35MHz
- Divider Ratio (M)** : Selectable from divisions of 1, 3~2047
- Multiplier Ratio (N)** : Selectable from multiplications of 6~2047
- Output** : 3-State
Q1 output selectable from input reference oscillation, input reference oscillation/2, GND, comparative frequency.
- Operating Voltage Range** : 2.97V ~ 5.5V
- Low Power Consumption** : CMOS (stand-by function included)*1
- Comparative Frequency** : 12kHz~500kHz
- Package** : SOT-26, USP-6B
- *1 High output impedance during standby
- Environmentally Friendly:** EU RoHS Compliant, Pb Free

PIN CONFIGURATION



*The dissipation pad for the USP-6B package should be solder-plated in recommended mount pattern and metal masking so as to enhance mounting strength and heat release. If the pad needs to be connected to other pins, it should be connected to the VDD pin.

PIN ASSIGNMENT

PIN NUMBER		PIN NAME	FUNCTION
SOT-26	USP-6B		
1	3	CE	Chip Enable
2	2	Vss	GND
3	1	Q0	PLL Output
4	6	Q1	Reference Oscillation, Reference Oscillation/2, GND, or Comparative Frequency Output
5	5	VDD	Power Supply
6	4	CLKin	Reference Clock Input

FUNCTION LIST

C E	FUNCTION
"H"	Q0, Q1 Clock Output
"L"	Stand-by. Output Pin = High Impedance
Open	Stand-by. Output Pin = High Impedance (Vss Pin Pull-Down Due to IC's Internal Resistor)

"H" = High level
"L" = Low level

PRODUCT CLASSIFICATION

Ordering Information

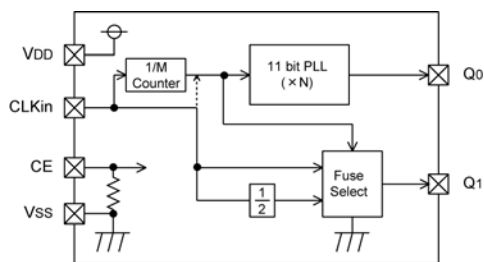
XC25BS5 - (*)

DESIGNATOR	DESCRIPTION	SYMBOL	DESCRIPTION
	Product Number	Integer	Based on internal standards e.g. Product number 001 = 001
	Packages Taping Type (*)	MR	SOT-26
		MR-G	SOT-26
		DR	USP-6B
		DR-G	USP-6B

(*) The "-G" suffix indicates that the products are Halogen and Antimony free as well as being fully RoHS compliant.

(*) The device orientation is fixed in its embossed tape pocket. For reverse orientation, please contact your local Torex sales office or representative. (Standard orientation: R- , Reverse orientation: L-)

BLOCK DIAGRAM



ABSOLUTE MAXIMUM RATINGS

Ta = 25

PARAMETER	SYMBOL	CONDITIONS	UNITS
Supply Voltage	VDD	VSS-0.3 ~ VSS+7.0	V
CLKIn Pin Voltage	VCK	VSS-0.3 ~ VDD+0.3	V
CE Pin Voltage	VCE	VSS-0.3 ~ VDD+0.3	V
Q0 Pin Voltage	VQ0	VSS-0.3 ~ VDD+0.3	V
Q1 Pin Voltage	VQ1	VSS-0.3 ~ VDD+0.3	V
Q0 Output Current	Iq0	±50	mA
Q1 Output Current	Iq1	±50	mA
Power Dissipation	SOT-26	Pd	150
	USP-6B		100
Operating Temperature Range	Topr	- 30 ~ + 80	°C
Storage Temperature Range	Tstg	- 40 ~ +125	°C

FREQUENCY CONFIGURATION: EXAMPLE 1

XC25BS51XXMR

PARAMETER	SYMBOL	MIN.	TYP.	MAX.	UNITS
Input Frequency	f CLKin	11.0000	-	16.9344	MHz
Multiplier/Divider Ratio	N/M	-	1.594	-	-
PLL Output Frequency	fQ0	17.5383	-	27.0000	MHz
Q1 Output Frequency	Q1	GND			-

Electrical Characteristics (DC)

XC25BS51xxMR

fCLKin = 16.9344MHz, Multiplier/Divider Ratio = 1.594, Ta = 25 °C, No Load

PARAMETER	SYMBOL	CONDITIONS	MIN.	TYP.	MAX.	UNITS
Supply Voltage	VDD		2.97	3.30	3.63	V
Input Voltage "High"	VIH		2.7	-	-	V
Input Voltage "Low"	VIL		-	-	0.6	V
Input Current "High"	IiH	VCK = 3.3V	-	-	3.0	μA
Input Current "Low"	IiL	VCK = 0V	-3.0	-	-	μA
Output Voltage "High"	VOH	VDD = 2.97V, IOH = -8mA	2.5	-	-	V
Output Voltage "Low"	VOL	VDD = 2.97V, IOL = 8mA	-	-	0.4	V
Supply Current 1	IDD1	CE = 3.3V	-	3.0	6.0	mA
Supply Current 2	IDD2	CE = 0V	-	-	5.0	μA
CE "High" Voltage	VCEH		2.7	-	-	V
CE "Low" Voltage	VCEL		-	-	0.45	V
CE Pull-Down Resistance 1	Rp1	CE = 3.3V	0.5	1.5	2.5	M
CE Pull-Down Resistance 2	Rp2	CE = 0.3V	20.0	50.0	80.0	k

Electrical Characteristics (AC)

XC25BS51xxMR

fCLKin=16.9344MHz, Multiplier/Divider Ratio=1.594, Ta=25 °C, CL=15pF

PARAMETER	SYMBOL	CONDITIONS	MIN.	TYP.	MAX.	UNITS
Output Rise Time	TTLH	VDD=3.3V(20% to 80%) (*1)	-	5.0	-	ns
Output Fall Time	TTHL	VDD=3.3V(20% to 80%) (*1)	-	5.0	-	ns
Duty Ratio	DUTY		40	50	60	%
Output Start Time	Ton	(*1)	-	-	20	ms
PLL Output Jitter	Tj	1 (*1)	-	40	-	ps

*1 R&D guarantee

FREQUENCY CONFIGURATION: EXAMPLE 2

XC25BS51XXMX

PARAMETER	SYMBOL	MIN.	TYP.	MAX.	UNITS
Input Frequency	f CLKin	52.0000	-	78.0000	kHz
Multiplier/Divider Ratio	N/M	-	256.000	-	-
PLL Output Frequency	fQ0	13.312	-	19.968	MHz
Q1 Output Frequency	Q1	GND			-

Electrical Characteristics (DC)

XC25BS51xxMR

fCLKin=78kHz, Multiplier/Divider Ratio=256, Ta=25 , No Load

PARAMETER	SYMBOL	CONDITIONS	MIN.	TYP.	MAX.	UNITS
Supply Voltage	VDD		2.97	3.30	3.63	V
Input Voltage "High"	VIH		2.7	-	-	V
Input Voltage "Low"	VIL		-	-	0.6	V
Input Current "High"	IiH	VCK=3.3V	-	-	3.0	μA
Input Current "Low"	IiL	VCK=0V	-3.0	-	-	μA
Output Voltage "High"	VOH	VDD=2.97V, IOH= - 8mA	2.5	-	-	V
Output Voltage "Low"	VOL	VDD=2.97V, IOL=8mA	-	-	0.4	V
Supply Current 1	IDD1	CE=0.3V	-	2.0	4.0	mA
Supply Current 2	IDD2	CE=0V	-	-	5.0	μA
CE " High " Voltage	VCEH		2.7	-	-	V
CE "Low" Voltage	VCEL		-	-	0.45	V
CE Pull-Down Resistance 1	Rp1	CE=3.3V	0.5	1.5	2.5	M
CE Pull-Down Resistance 2	Rp2	CE=0.3V	20.0	50.0	80.0	K

Electrical Characteristics (AC)

XC25BS51xxMR

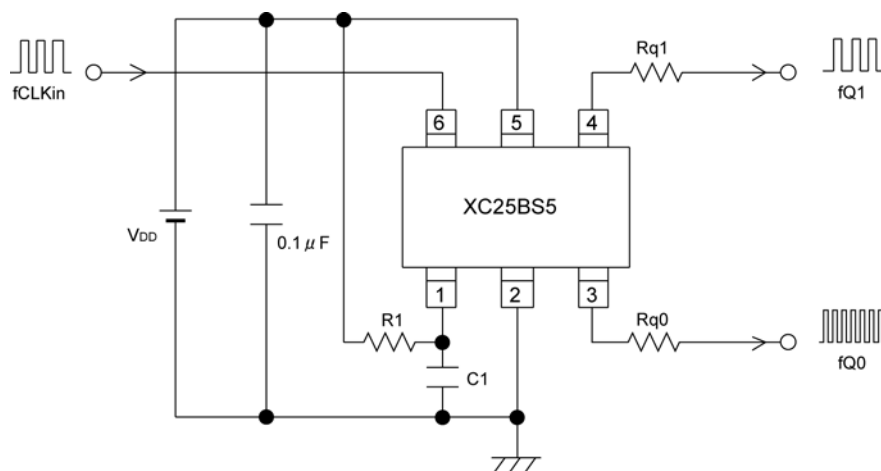
fCLKin=78kHz, Multiplier/Divider Ratio=256, Ta=25 , CL=15pF

PARAMETER	SYMBOL	CONDITIONS	MIN.	TYP.	MAX.	UNITS
Output Rise Time	TTLH	VDD=3.3V(20% to 80%) (*1)	-	5.0	-	ns
Output Fall Time	TTHL	VDD=3.3V(20% to 80%) (*1)	-	5.0	-	ns
Duty Ratio	DUTY		40	50	60	%
Output Start Time	Ton	(*1)	-	-	20	ms
PLL Output Jitter	Tj	1 (*1)	-	20	-	ps

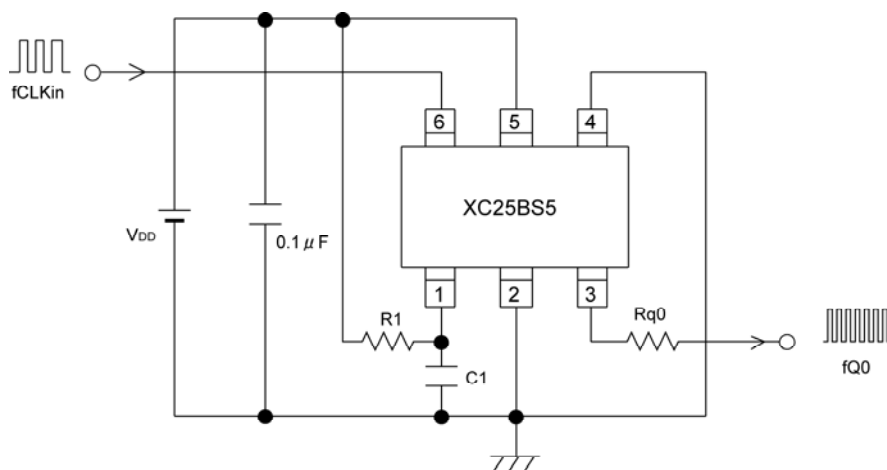
*1 R&D guarantee

TYPICAL APPLICATION CIRCUITS

Q1 Pin - reference oscillation, reference oscillation/2, comparative frequency



Q1 Pin - GND

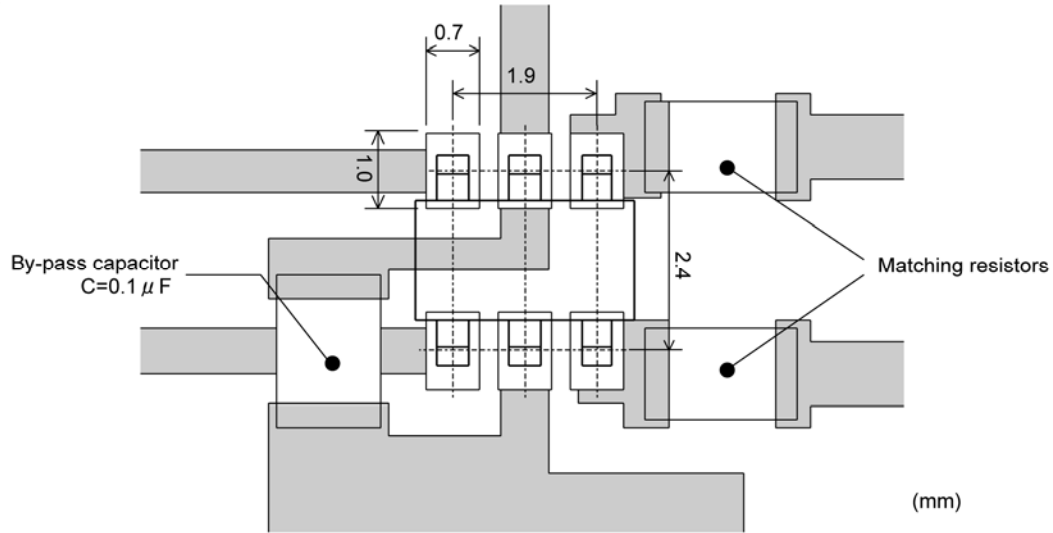


NOTE

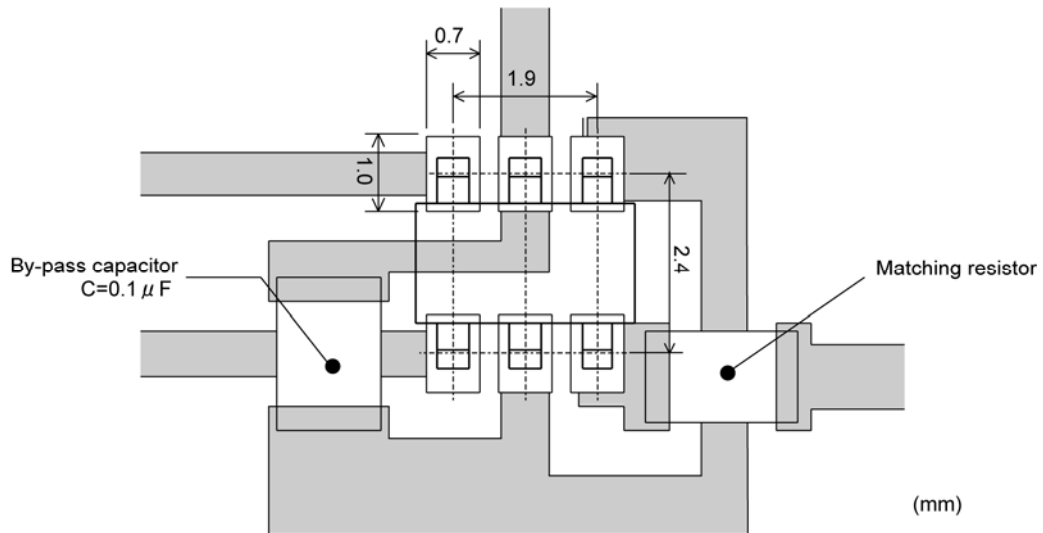
- (1) Please insert a by-pass capacitor of 0.1 μ F.
- (2) Rq0 and Rq1 are matching resistors. Their use is recommended in order to counter unwanted radiations.
- (3) Please place a by-pass capacitor and matching resistors as close to the IC as possible. It may be that the output cannot be locked if the by-pass capacitor is not close enough to the IC. Further, there is a possibility of unwanted radiation occurrence between the resistor and the IC pin if the matching resistor is not close enough to the IC.
- (4) When selecting GND for the Q1 pin, although the output of Q1 pin is GND level, it is also recommended that the Q1 pin be connected to GND pattern on the PCB.
- (5) When the CE pin is not controlled by external signals, it is recommended that a time constant circuit of $R1=1k \times C1 = 0.1 \mu F$ be added for stability.
- (6) With this IC, output is achieved by dividing and multiplying the reference oscillation by means of the PLL circuit. In cases where this output is further used as a reference oscillation of another PLL circuit, it may be that the final output signal's jitter increases, so all necessary precautions should be taken to avoid this.
- (7) It is recommended that a low noise power supply, such as a series regulator, be used for the supply voltage. Using a power supply such as a switching regulator might lead to a larger jitter, which in turn may lead to an inability to lock due to the ripple of the switching regulator.
- (8) As for this IC, synchronization of input and output signal's edge is not guaranteed though the input frequency operates to the output frequency multiply.

REFERENCE LAND PATTERN

Q1 Pin - reference oscillation, reference oscillation/2, comparative frequency

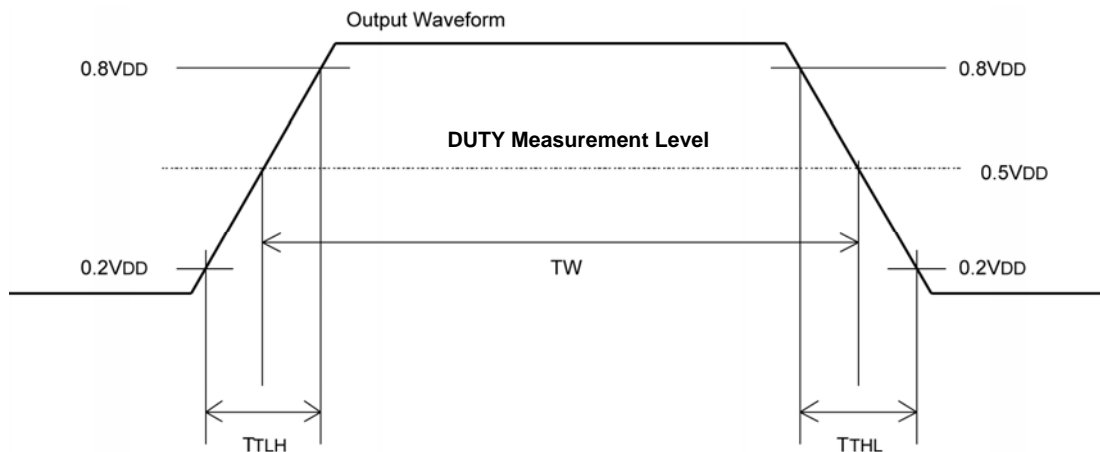


Q1 Pin - GND

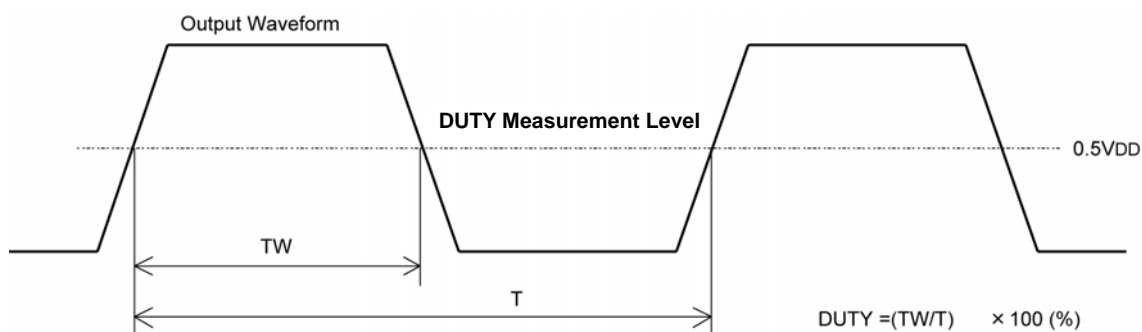


AC CHARACTERISTIC WAVEFORMS

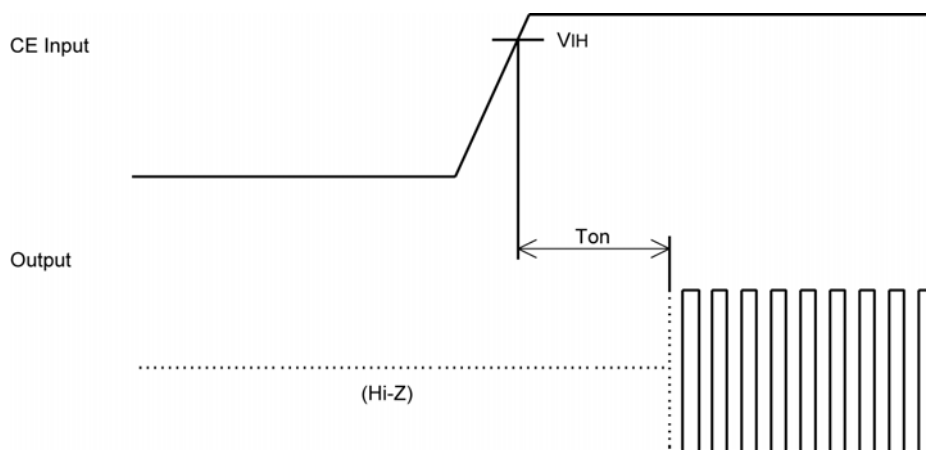
1) Output Rise Time / Output Fall Time



2) Duty Ratio

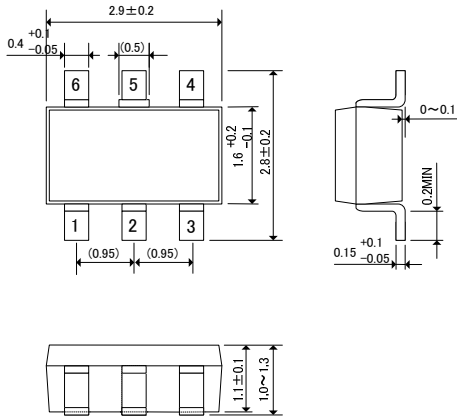


3) Output Start Time

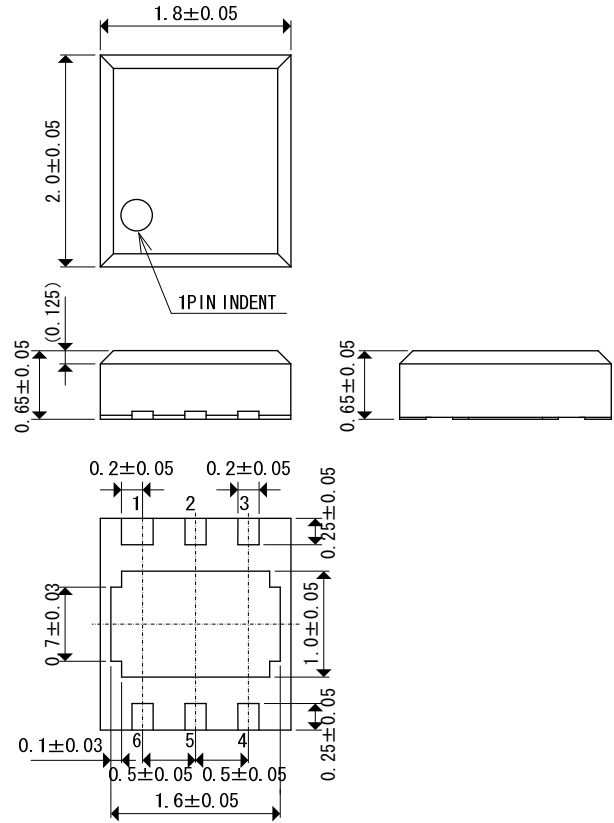


PACKAGING INFORMATION

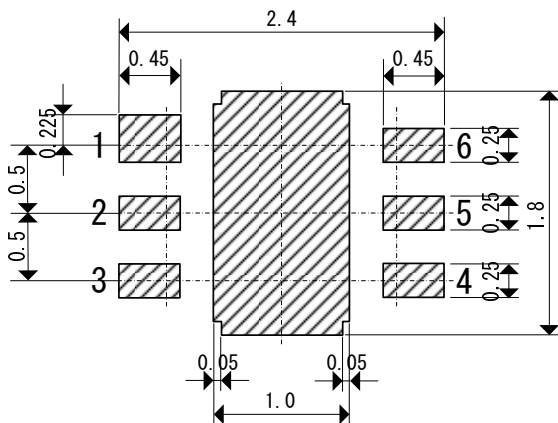
SOT-26



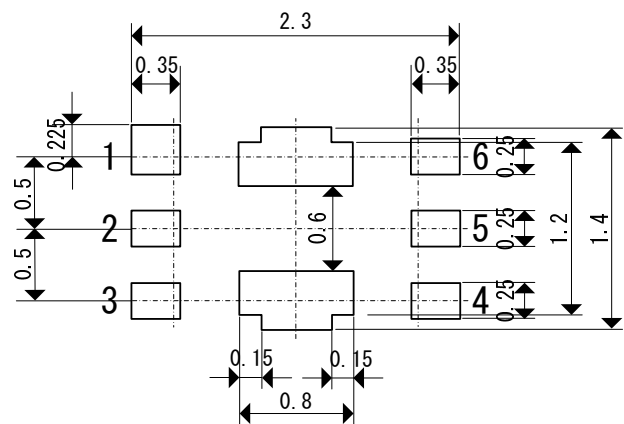
USP-6B



USP-6B Reference Pattern Layout

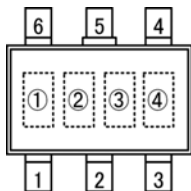


USP-6B Reference Metal Mask Design



MARKING RULE

SOT-26



SOT-26
(TOP VIEW)

XC25BS50

represents product series

MARK		PRODUCT SERIES
①	②	
B	5	XC25BS50**M*

represents the 10th digit of product part number

MARK	PRODUCT SERIES
1	XC25BS5001M*
5	XC25BS5005M*
6	XC25BS5006M*

XC25BS51

represents product series

MARK	PRODUCT SERIES
5	XC25BS51**M*

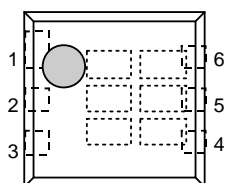
represents the 9th and 10th digits of product part number

MARK		PRODUCT SERIES
②	③	
0	7	XC25BS5107M*

represents production lot number

0 to 9,A to Z reversed character 0 to 9,A to Z repeated (G, I, J, O, Q, W excluded)

USP-6B



USP-6B
(TOP VIEW)

, , represents product series

MARK			PRODUCT SERIES
①	②	③	
B	S	0	XC25BS50**D*
B	S	1	XC25BS51**D*

represents the 9th and 10th digit of product part number

Ex)

MARK		PRODUCT SERIES
④	⑤	
0	7	XC25BS5*07D*

represents production lot number

0 to 9,A to Z repeated (G, I, J, O, Q, W excluded)

Note: No character inversion used.

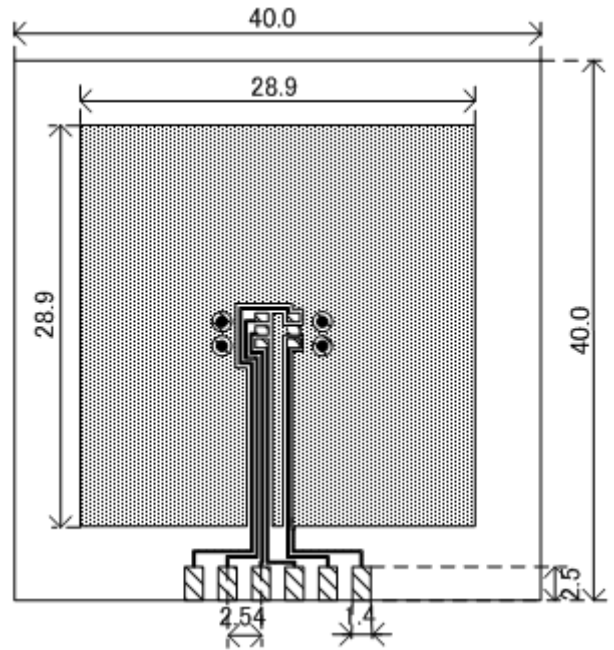
PACKAGING INFORMATION (Continued)

SOT-26 Power Dissipation

Power dissipation data for the SOT-26 is shown in this page.
 The value of power dissipation varies with the mount board conditions.
 Please use this data as one of reference data taken in the described condition.

1. Measurement Condition (Reference data)

- Condition: Mount on a board
- Ambient: Natural convection
- Soldering: Lead (Pb) free
- Board: Dimensions 40 x 40 mm (1600 mm² in one side)
- Copper (Cu) traces occupy 50% of the board area
- In top and back faces
- Package heat-sink is tied to the copper traces
- Material: Glass Epoxy (FR-4)
- Thickness: 1.6 mm
- Through-hole: 4 x 0.8 Diameter

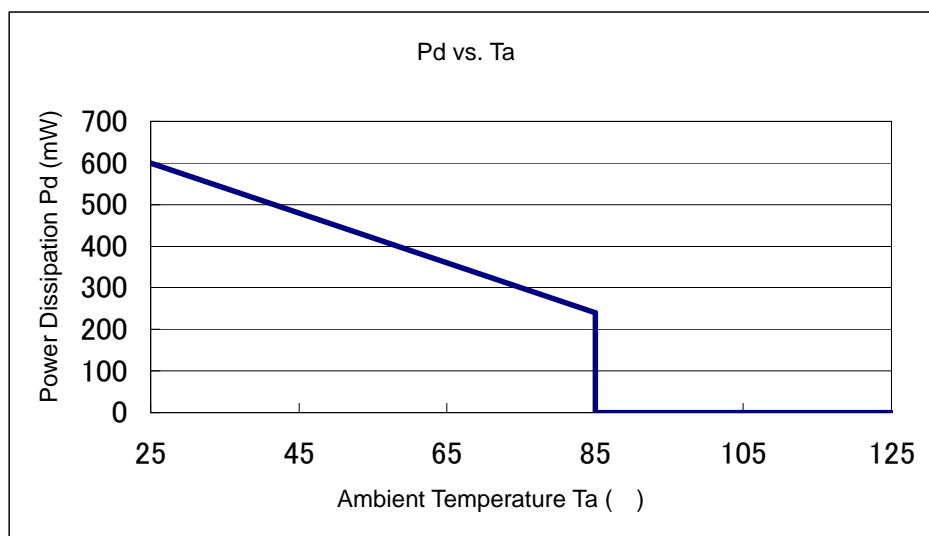


Evaluation Board (Unit: mm)

2. Power Dissipation vs. Ambient Temperature

Board Mount ($T_j \text{ max} = 125$)

Ambient Temperature (°C)	Power Dissipation Pd (mW)	Thermal Resistance (°C/W)
25	600	166.67
85	240	



PACKAGING INFORMATION (Continued)

USP-6B Power Dissipation

Power dissipation data for the USP-6B is shown in this page.

The value of power dissipation varies with the mount board conditions.

Please use this data as one of reference data taken in the described condition.

1. Measurement Condition (Reference data)

Condition: Mount on a board

Ambient: Natural convection

Soldering: Lead (Pb) free

Board: Dimensions 40 x 40 mm (1600 mm² in one side)

Copper (Cu) traces occupy 50% of the board area

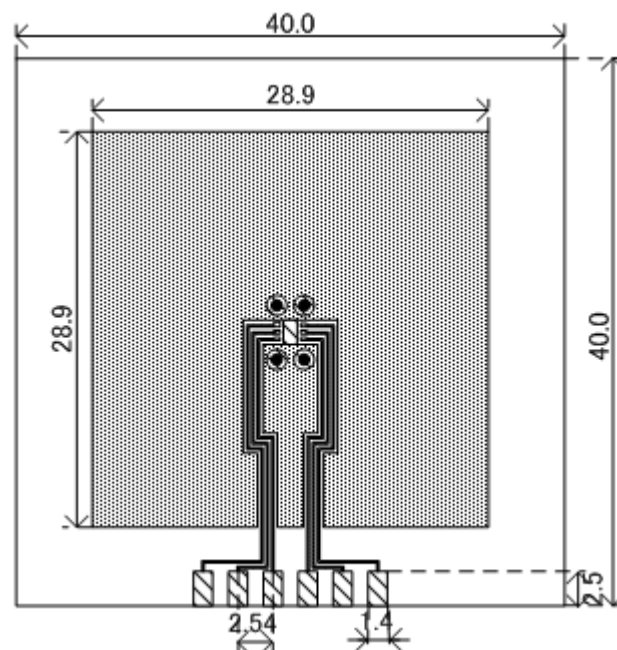
In top and back faces

Package heat-sink is tied to the copper traces

Material: Glass Epoxy (FR-4)

Thickness: 1.6 mm

Through-hole: 4 x 0.8 Diameter

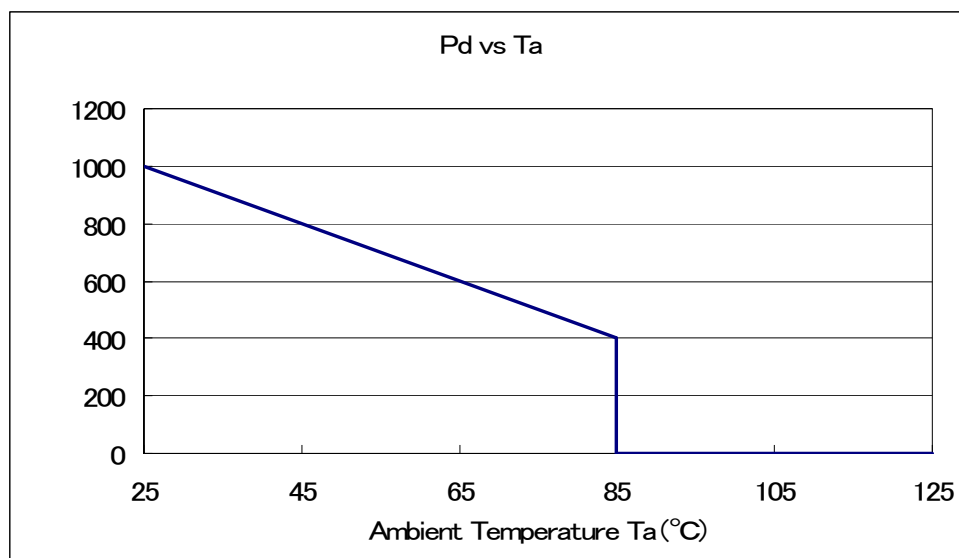


Evaluation Board (Unit: mm)

2. Power Dissipation vs. Ambient Temperature

Board Mount ($T_j \text{ max} = 125$)

Ambient Temperature (°C)	Power Dissipation Pd (mW)	Thermal Resistance (°C/W)
25	1000	100.00
85	400	



1. The products and product specifications contained herein are subject to change without notice to improve performance characteristics. Consult us, or our representatives before use, to confirm that the information in this datasheet is up to date.
2. We assume no responsibility for any infringement of patents, patent rights, or other rights arising from the use of any information and circuitry in this datasheet.
3. Please ensure suitable shipping controls (including fail-safe designs and aging protection) are in force for equipment employing products listed in this datasheet.
4. The products in this datasheet are not developed, designed, or approved for use with such equipment whose failure or malfunction can be reasonably expected to directly endanger the life of, or cause significant injury to, the user.
(e.g. Atomic energy; aerospace; transport; combustion and associated safety equipment thereof.)
5. Please use the products listed in this datasheet within the specified ranges.
Should you wish to use the products under conditions exceeding the specifications, please consult us or our representatives.
6. We assume no responsibility for damage or loss due to abnormal use.
7. All rights reserved. No part of this datasheet may be copied or reproduced without the prior permission of TOREX SEMICONDUCTOR LTD.

TOREX SEMICONDUCTOR LTD.