

阅读申明

- 1.本站收集的数据手册和产品资料都来自互联网，版权归原作者所有。如读者和版权方有任何异议请及时告之，我们将妥善解决。
- 2.本站提供的中文数据手册是英文数据手册的中文翻译，其目的是协助用户阅读，该译文无法自动跟随原稿更新，同时也可能存在翻译上的不当。建议读者以英文原稿为参考以便获得更精准的信息。
- 3.本站提供的产品资料，来自厂商的技术支持或者使用者的心得体会等，其内容可能存在描述上的差异，建议读者做出适当判断。
- 4.如需与我们联系，请发邮件到marketing@iczoom.com，主题请标有“数据手册”字样。

Read Statement

1. The datasheets and other product information on the site are all from network reference or other public materials, and the copyright belongs to the original author and original published source. If readers and copyright owners have any objections, please contact us and we will deal with it in a timely manner.
2. The Chinese datasheets provided on the website is a Chinese translation of the English datasheets. Its purpose is for reader's learning exchange only and do not involve commercial purposes. The translation cannot be automatically updated with the original manuscript, and there may also be improper translations. Readers are advised to use the English manuscript as a reference for more accurate information.
3. All product information provided on the website refer to solutions from manufacturers' technical support or users the contents may have differences in description, and readers are advised to take the original article as the standard.
4. If you have any questions, please contact us at marketing@iczoom.com and mark the subject with "Datasheets" .

SPREAD SPECTRUM CLOCK GENERATOR

MK5818

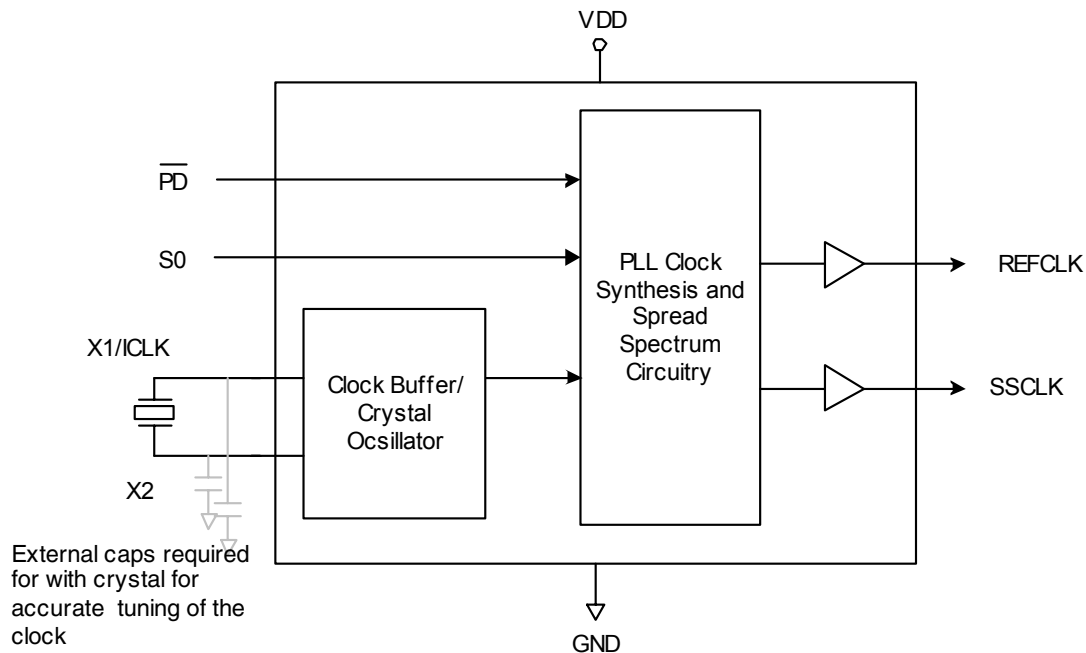
Description

The MK5818 generates a low EMI output clock and a reference clock from a clock or crystal input. The part is designed to lower EMI through the application of spreading a clock. Using IDT's proprietary mix of analog and digital Phase Locked Loop (PLL) technology, the device spreads the frequency spectrum of the output, reducing the frequency amplitude peaks by several dB depending on spread range. The MK5818 offers a range of down spread from a high speed clock or crystal input. The MK5818 generates one modulated (SSCLK) and unmodulated (REFCLK) clock and is compatible with Cypress CY25818. The modulated clock is controlled by the select pin, and the unmodulated clock has the same frequency as the input clock or crystal.

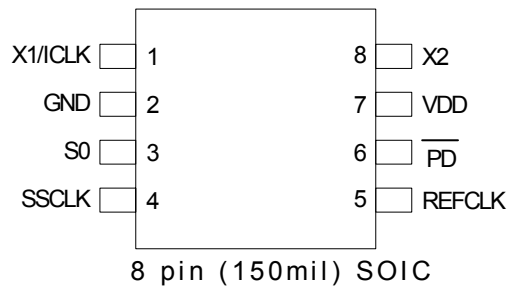
Features

- Packaged in 8-pin SOIC
- Input frequency range 8 to 16 MHz
- Provides modulated and unmodulated clocks
- Accepts a clock or crystal input
- Provides down spread modulation
- Provides power down function
- Reduce electromagnetic interference (EMI) by 8 to 16 db
- Operating voltage of 3.3 V
- Advanced, low-power CMOS process
- Pb (lead) free package, RoHS compliant

Block Diagram



Pin Assignment



Spread Percentage Select Table

S0	Spread Direction	Spread Percentage (%)
0	Down	-1.7
1	Down	-2.3
M	Down	-0.5

0 = connect to GND

M= unconnected

1 = connect directly to VDD

Pin Descriptions

Pin Number	Pin Name	Pin Type	Pin Description
1	X1/CLK	Input	Connect to 8-16 MHz crystal or clock.
2	GND	Power	Connect to ground.
3	S0	Input	Select spread percentage per table above. Tri-level input. Default = M.
4	SSCLK	Output	Spread spectrum clock output per table above.
5	REFCLK	Output	Unmodulated reference clock output.
6	$\overline{\text{PD}}$	Input	Power down tri-state. This pin powers down entire chip and tri-state the outputs when low. Internal pull-up.
7	VDD	Power	Connect to 3.3 V.
8	X2	Input	Connect to 8-16 MHz crystal or leave unconnected.

External Components

The MK5818 requires a minimum number of external components for proper operation.

Decoupling Capacitor

A decoupling capacitor of 0.01 μ F must be connected between VDD and GND, as close to these pins as possible. For optimum device performance, the decoupling capacitor should be mounted on the component side of the PCB. Avoid the use of vias in the decoupling circuit.

PCB Layout Recommendations

For optimum device performance and lowest output phase noise, the following guidelines should be observed.

- 1) The 0.01 μ F decoupling capacitor should be mounted on the component side of the board as close to the VDD pin as possible. No vias should be used between the decoupling capacitor and VDD pin. The PCB trace to VDD pin should be kept as short as possible, as should the PCB trace to the ground via.
- 2) An optimum layout is one with all components on the same side of the board, minimizing vias through other signal layers. Other signal traces should be routed away from the MK5818. This includes signal traces just underneath the device, or on layers adjacent to the ground plane layer used by the device.

Crystal Information

The crystal used should be a fundamental mode (do not use third overtone), parallel resonant. Crystal capacitors should be connected from pins X1 to ground and X2 to ground to optimize the initial accuracy. The value of these capacitors is given by the following equation:

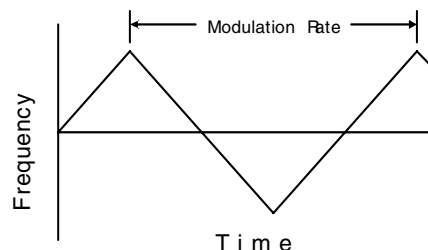
$$\text{Crystal caps (pF)} = (C_L - 6) \times 2$$

In the equation, C_L is the crystal load capacitance. So, for a crystal with a 16pF load capacitance, two 20 pF [(16-6) x 2] capacitors should be used.

Spread Spectrum Profile

The MK5818 low EMI clock generator uses an optimized frequency slew rate algorithm to facilitate down stream tracking of zero delay buffers and other PLL devices. The

frequency modulation amplitude is constant with variations of the input frequency.



Modulation Rate

The time required to transition from f_{MIN} (minimum frequency of the clock) to f_{MAX} (maximum frequency of the clock) and back to f_{MIN} is the period of the modulation rate, T_{MOD} . The modulation rates of spread spectrum clock generators are generally referred to in terms of frequency, and $f_{\text{MOD}} = 1/T_{\text{MOD}}$.

The input clock frequency (f_{IN}) and the internal divider determine the modulation rate.

The spread spectrum modulation rate (f_{MOD}) is given by the formula $f_{\text{MOD}} = f_{\text{IN}}/\text{DR}$, where:

f_{MOD} is the modulation rate, f_{IN} is the input frequency, and DR is the divider ratio (see table below).

Input Frequency Range	Divider Ratio (DR)
8 to 16 MHz	256

Absolute Maximum Ratings

Stresses above the ratings listed below can cause permanent damage to the MK5818. These ratings, which are standard values for IDT commercially rated parts, are stress ratings only. Functional operation of the device at these or any other conditions above those indicated in the operational sections of the specifications is not implied. Exposure to absolute maximum rating conditions for extended periods can affect product reliability. Electrical parameters are guaranteed only over the recommended operating temperature range.

Item	Rating
Supply Voltage, VDD	7 V
All Inputs and Outputs	-0.5 V to VDD+0.5 V
Ambient Operating Temperature	0 to +70° C
Storage Temperature	-65 to +150° C
Junction Temperature	125° C
Soldering Temperature	260° C

Recommended Operation Conditions

Parameter	Min.	Typ.	Max.	Units
Ambient Operating Temperature	0		+70	°C
Power Supply Voltage (measured in respect to GND)	+2.97		3.63	V

DC Electrical Characteristics

Unless stated otherwise, VDD = 3.3 V \pm 10%, Ambient Temperature 0 to +70° C

Parameter	Symbol	Conditions	Min.	Typ.	Max.	Units
Power Supply Range	V _{DD}		2.97	3.3	3.63	V
Input High Voltage	V _{INH}	S0 Input	0.85 V _{DD}	V _{DD}	V _{DD}	V
Input Middle Voltage	V _{INM}	S0 Input	0.40 V _{DD}	0.50 V _{DD}	0.60 V _{DD}	V
Input Low Voltage	V _{INL}	S0 Input	0.0	0.0	0.15 V _{DD}	V
Output High Voltage	V _{OH1}	I _{OH} =4 ma, SSCLK and REFCLK	2.4			V
Output High Voltage	V _{OH2}	I _{OH} =6 ma, SSCLK and REFCLK	2.0			V
Output Low Voltage	V _{OL1}	I _{OL} =4 ma, SSCLK			0.4	V
Output Low Voltage	V _{OL2}	I _{OL} =10 ma, SSCLK			1.2	V
Power Supply Current	I _{DD2}	F _{IN} = 8MHz, no load		10.0	12.5	mA
Power Supply Current	I _{DD3}	$\overline{\text{PD}}$ = GND		150	250	uA
Input Capacitance	C _{IN}			5		pF
Internal pull-up resistor	R _{PU}	SEL		360		k Ω

AC Electrical Characteristics

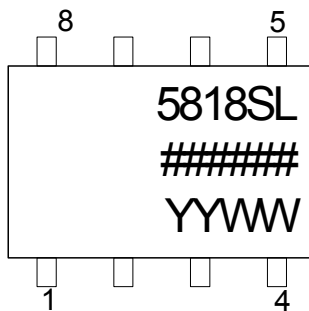
Unless stated otherwise, $V_{DD} = 3.3\text{ V} \pm 10\%$, Ambient Temperature 0 to $+70^{\circ}\text{ C}$ and $C_L = 15\text{ pF}$

Parameter	Symbol	Conditions	Min.	Typ.	Max.	Units
Input Clock Frequency			8		16	MHz
Output Clock Frequency			8		16	MHz
Clock Rise Time	trise1	SSCLK and REFCLK, 0.4 V to 2.4 V,	2.0	3.0	4.0	ns
Clock Fall Time	tfall1	SSCLK and REFCLK, 0.4 V to 2.4 V	2.0	3.0	4.0	ns
Input Clock Duty Cycle		X_1	20	50	80	%
Output Clock Duty Cycle		SSCLK and REFCLK @ 1.5V	45	50	55	%
Cycle to cycle Jitter		SSCLK, $F_{in} = F_{out} = 8\text{-}16\text{ MHz}$		250	350	ps
Cycle to cycle Jitter		REFCLK, $F_{in} = F_{out} = 8\text{-}16\text{ MHz}$		275	375	ps
EMI Peak Frequency Reduction				8 to 16		dB

Thermal Characteristics

Parameter	Symbol	Conditions	Min.	Typ.	Max.	Units
Thermal Resistance Junction to Ambient	θ_{JA}	Still air		110		°C/W
	θ_{JA}	1 m/s air flow		100		°C/W
	θ_{JA}	3 m/s air flow		80		°C/W
Thermal Resistance Junction to Case	θ_{JC}			35		°C/W

Marking Diagram (Pb free)

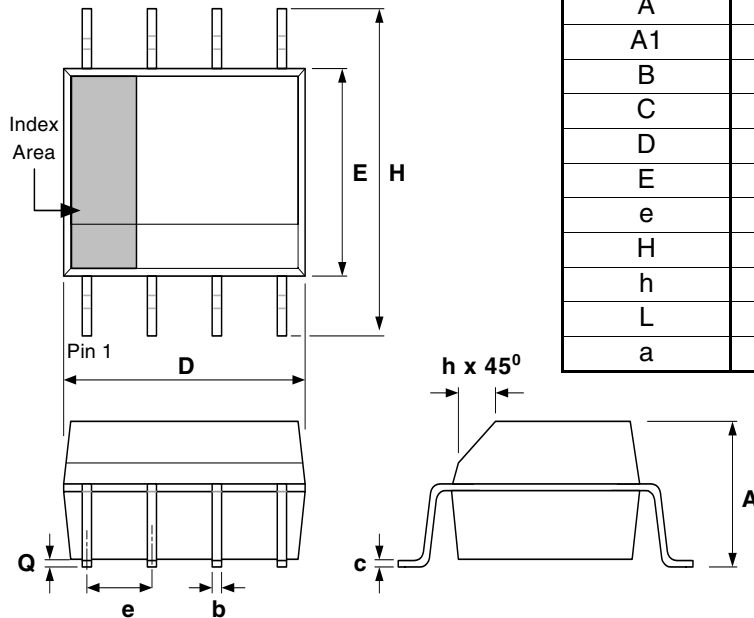


Notes:

1. ##### is the lot code.
2. YYWW is the last two digits of the year, and the week number that the part was assembled.
3. "L" or "LF" denotes Pb (lead) free package.
4. Bottom marking: country of origin if not USA.

Package Outline and Package Dimensions (8 pin SOIC, 150 Mil. Narrow Body)

Package dimensions are kept current with JEDEC Publication No. 95



Symbol	Millimeters		Inches	
	Min	Max	Min	Max
A	1.35	1.75	0.0532	0.0688
A1	1.10	0.25	0.0040	0.0098
B	0.33	0.51	0.013	0.020
C	0.19	0.25	0.0075	0.0098
D	4.80	5.00	.1890	.1968
E	3.80	4.00	0.1497	0.1574
e	1.27 Basic		0.050 Basic	
H	5.80	6.20	0.2284	0.2440
h	0.25	0.50	0.010	0.020
L	0.40	1.27	0.016	0.050
a	0°	8°	0°	8°

Ordering Information

Part / Order Number	Marking	Shipping Packaging	Package	Temperature
MK5818SLF	see page 6	Tubes	8-pin SOIC	0 to +70° C
MK5818SLFTR		Tape and Reel	8-pin SOIC	0 to +70° C

"LF" suffix to the part number are the Pb-Free configuration and are RoHS compliant.

While the information presented herein has been checked for both accuracy and reliability, Integrated Device Technology (IDT) assumes no responsibility for either its use or for the infringement of any patents or other rights of third parties, which would result from its use. No other circuits, patents, or licenses are implied. This product is intended for use in normal commercial applications. Any other applications such as those requiring extended temperature range, high reliability, or other extraordinary environmental requirements are not recommended without additional processing by IDT. IDT reserves the right to change any circuitry or specifications without notice. IDT does not authorize or warrant any IDT product for use in life support devices or critical medical instruments.

Innovate with IDT and accelerate your future networks. Contact:

www.IDT.com

For Sales

800-345-7015
408-284-8200
Fax: 408-284-2775

For Tech Support

www.idt.com/go/clockhelp

Corporate Headquarters

Integrated Device Technology, Inc.
www.idt.com



www.IDT.com