

阅读申明

- 1.本站收集的数据手册和产品资料都来自互联网，版权归原作者所有。如读者和版权方有任何异议请及时告之，我们将妥善解决。
- 2.本站提供的中文数据手册是英文数据手册的中文翻译，其目的是协助用户阅读，该译文无法自动跟随原稿更新，同时也可能存在翻译上的不当。建议读者以英文原稿为参考以便获得更精准的信息。
- 3.本站提供的产品资料，来自厂商的技术支持或者使用者的心得体会等，其内容可能存在描述上的差异，建议读者做出适当判断。
- 4.如需与我们联系，请发邮件到marketing@iczoom.com，主题请标有“数据手册”字样。

Read Statement

1. The datasheets and other product information on the site are all from network reference or other public materials, and the copyright belongs to the original author and original published source. If readers and copyright owners have any objections, please contact us and we will deal with it in a timely manner.
2. The Chinese datasheets provided on the website is a Chinese translation of the English datasheets. Its purpose is for reader's learning exchange only and do not involve commercial purposes. The translation cannot be automatically updated with the original manuscript, and there may also be improper translations. Readers are advised to use the English manuscript as a reference for more accurate information.
3. All product information provided on the website refer to solutions from manufacturers' technical support or users the contents may have differences in description, and readers are advised to take the original article as the standard.
4. If you have any questions, please contact us at marketing@iczoom.com and mark the subject with "Datasheets" .

T1/E1 CLOCK MULTIPLIER

ICS548-05

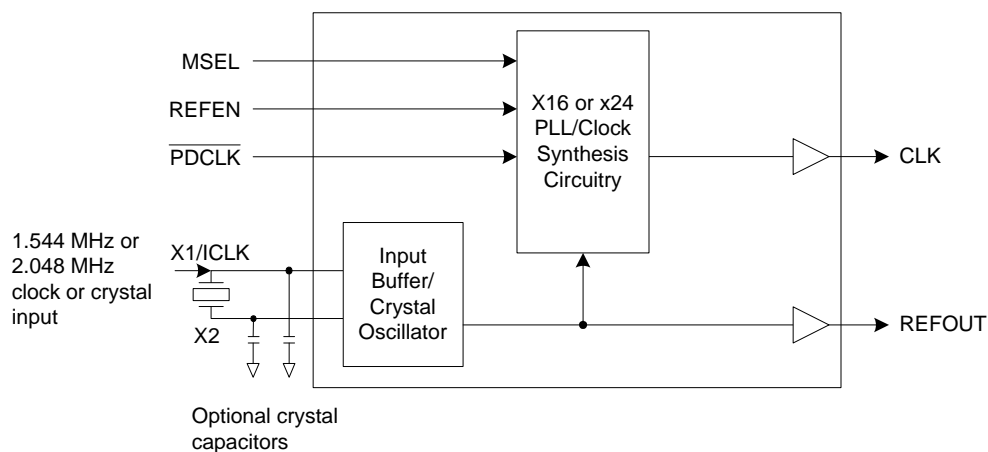
Description

The ICS548-05 is a low-cost, low-jitter, high-performance clock synthesizer designed to produce x16 and x24 clocks from T1 and E1 frequencies. Using IDT's patented analog/digital Phase-Locked Loop (PLL) techniques, the device uses a crystal or clock input to synthesize popular communications frequencies. Power down modes allow the chip to turn off completely, or the PLL and clock output to be turned off separately.

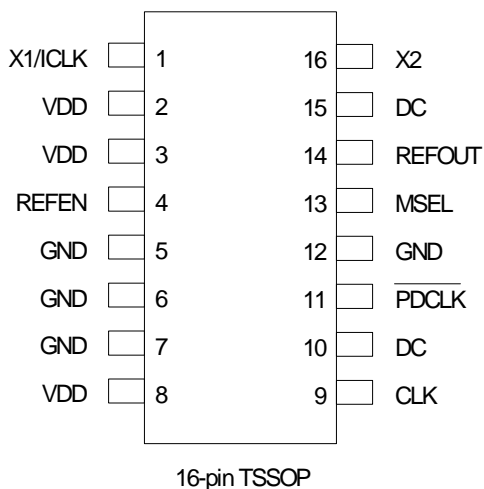
IDT manufactures the largest variety of communications clock synthesizers for all applications. Consult IDT to eliminate VCXO's, crystals, and oscillators from your board.

Features

- Packaged in 16-pin TSSOP
- Available in Pb (lead) free package
- Ideal for telecom/datacom chips
- Replaces oscillators
- 3.3 V or 5 V operation
- Uses a crystal or clock input
- Produces 24.704, 37.056, 32.768, or 49.152 MHz
- Includes Power-down features
- Advanced, low-power, sub-micron CMOS process
- See also the MK2049-34 for generating
- Industrial temperature range available

Block Diagram


Pin Assignment



Output Clock Selection Table

MSEL	Input (MHz)	CLK (MHz)
Pin 13	Plns 1, (16)	Pin 9
0	1.544	24.704
1	1.544	37.056
0	2.048	32.768
1	2.048	49.152

Power Down Clock Selection Table

REFEN	PDCLK	Power Down Selection Mode
Pin 4	Pin 11	
0	0	The entire chip is off.
0	1	PLL and clock output run, REFOUT low.
1	0	REFOUT running, PLL off, CLK low.
1	1	All running.

Key: 0 = connect directly to GND; 1 = connect directly to VDD

Pin Descriptions

Pin Number	Pin Name	Pin Type	Pin Description
1	X1/CLK	XI	Crystal connection. Connect this pin to a crystal or clock input.
2, 3, 8	VDD	Power	Connect to +3.3 V or +5 V. All VDD's must be the same.
4	REFEN	Input	Reference Clock Enable. See table above. Connect to GND for best jitter/phase noise.
5, 6, 7, 12	GND	Power	Connect to ground.
9	CLK	Output	Clock output set by input status of MSEL. See table above.
10, 15	DC	—	Don't Connect. Do not connect these pins to anything.
11	PDCLK	Input	Power down clock. See table above.
13	MSEL	Input	Multiplier select pin. Selects x16 when low, x24 when high.
14	REFOUT	Output	Buffered reference output clock. Controlled by REFEN.
16	X2	XO	Crystal connection. Connect this pin to a crystal or leave unconnected for a clock.

Key: XI, XO = crystal connections; the input pin MSEL must be tied directly to VDD or GND.
For a clock input, connect the input X1 and leave X2 unconnected (floating).

Application Information

Series Termination Resistor

Clock output traces should use series termination. To series terminate a 50Ω trace (a commonly used trace impedance), place a 33Ω resistor in series with the clock line, as close to the clock output pin as possible. The nominal impedance of the clock output is 20Ω.

Decoupling Capacitors

As with any high performance mixed-signal IC, the ICS548-05 must be isolated from system power supply noise to perform optimally.

Decoupling capacitors of 0.01μF should be connected between each VDD and GND on pins 3 and 5, as close to the device as possible. Other VDD's can be connected to pin 3. If reFOUT is not used, then REFEN should be connected directly to ground.

Crystal Load Capacitors

If a crystal is used, the device crystal connections should include pads for capacitors from X1 to ground and from X2 to ground. These capacitors are used to adjust the stray capacitance of the board to match the nominally required crystal load capacitance. To reduce possible noise pickup, use very short PCB traces (and no vias) between the crystal and device.

The value of the load capacitors can be roughly determined by the formula $C = 2(C_L - 6)$ where C is the load capacitor connected to X1 and X2, and C_L is the specified value of the load capacitance for the crystal. A typical crystal C_L is 18pF, so $C = 2(18 - 6) = 24$ pF. Because these capacitors adjust the stray capacitance of the PCB, check the output frequency using your final layout to see if the value of C should be changed. For a clock input, leave X2 unconnected (floating).

PCB Layout Recommendations

For optimum device performance and lowest output phase noise, the following guidelines should be observed.

- 1) Each 0.01μF decoupling capacitor should be mounted on the component side of the board as close to the VDD pin as possible. No vias should be used between decoupling capacitor and VDD pin. The PCB trace to VDD pin should be kept as short as possible, as should the PCB trace to the ground via. Distance of the ferrite bead and bulk decoupling from the device is less critical.
- 2) The external crystal should be mounted next to the device with short traces. The X1 and X2 traces should not be routed next to each other with minimum spaces, instead they should be separated and away from other traces.
- 3) To minimize EMI and obtain the best signal integrity, the 33Ω series termination resistor should be placed close to the clock output.
- 4) An optimum layout is one with all components on the same side of the board, minimizing vias through other signal layers (the ferrite bead and bulk decoupling capacitor can be mounted on the back). Other signal traces should be routed away from the ICS548-05. This includes signal traces just underneath the device, or on layers adjacent to the ground plane layer used by the device.

Absolute Maximum Ratings

Stresses above the ratings listed below can cause permanent damage to the ICS548-05. These ratings, which are standard values for IDT commercially rated parts, are stress ratings only. Functional operation of the device at these or any other conditions above those indicated in the operational sections of the specifications is not implied. Exposure to absolute maximum rating conditions for extended periods can affect product reliability. Electrical parameters are guaranteed only over the recommended operating temperature range.

Item	Rating
Supply Voltage, VDD	7 V
All Inputs and Outputs	-0.5 V to VDD+0.5 V
Ambient Operating Temperature (commercial)	0 to +70° C
Ambient Operating Temperature (industrial)	-40 to +85° C
Storage Temperature	-65 to +150° C
Junction Temperature	125° C
Soldering Temperature	260° C

Recommended Operation Conditions

Parameter	Min.	Typ.	Max.	Units
Ambient Operating Temperature	0		+70	° C
Power Supply Voltage (measured in respect to GND)	+3.15		5.5	V

DC Electrical Characteristics

Unless stated otherwise, VDD = 3.3 V, Ambient Temperature 0 to +70° C

Parameter	Symbol	Conditions	Min.	Typ.	Max.	Units
Core Operating Voltage	VDD		3.15		5.5	V
Input High Voltage	V _{IH}	X1/ICLK pin, clock input only	(VDD/2)+1	VDD/2		V
Input Low Voltage	V _{IL}	X1/ICLK pin, clock input only		VDD/2	(VDD/2)-1	V
Input High Voltage	V _{IH}		2			V
Input Low Voltage	V _{IL}				0.8	V
Output High Voltage	V _{OH}	I _{OH} = -4 mA	2.4			V
Output High Voltage	V _{OH}	CMOS level, I _{OH} = -4 mA	VDD-0.4			V
Output Low Voltage	V _{OL}	I _{OL} = 4 mA			0.4	V
Supply Current	IDD	No Load		5		mA
Power Down Supply Current	IDDPD	No Load		1		µA

Parameter	Symbol	Conditions	Min.	Typ.	Max.	Units
Short Circuit Current	I_{OS}	CLK output		±50		mA
Input Capacitance		MSEL, PDCLK, REFEN		7		pF
Frequency Synthesis Error		Both selections			0	ppm

AC Electrical Characteristics

Unless stated otherwise, VDD = 3.3 V, Ambient Temperature 0 to +70° C

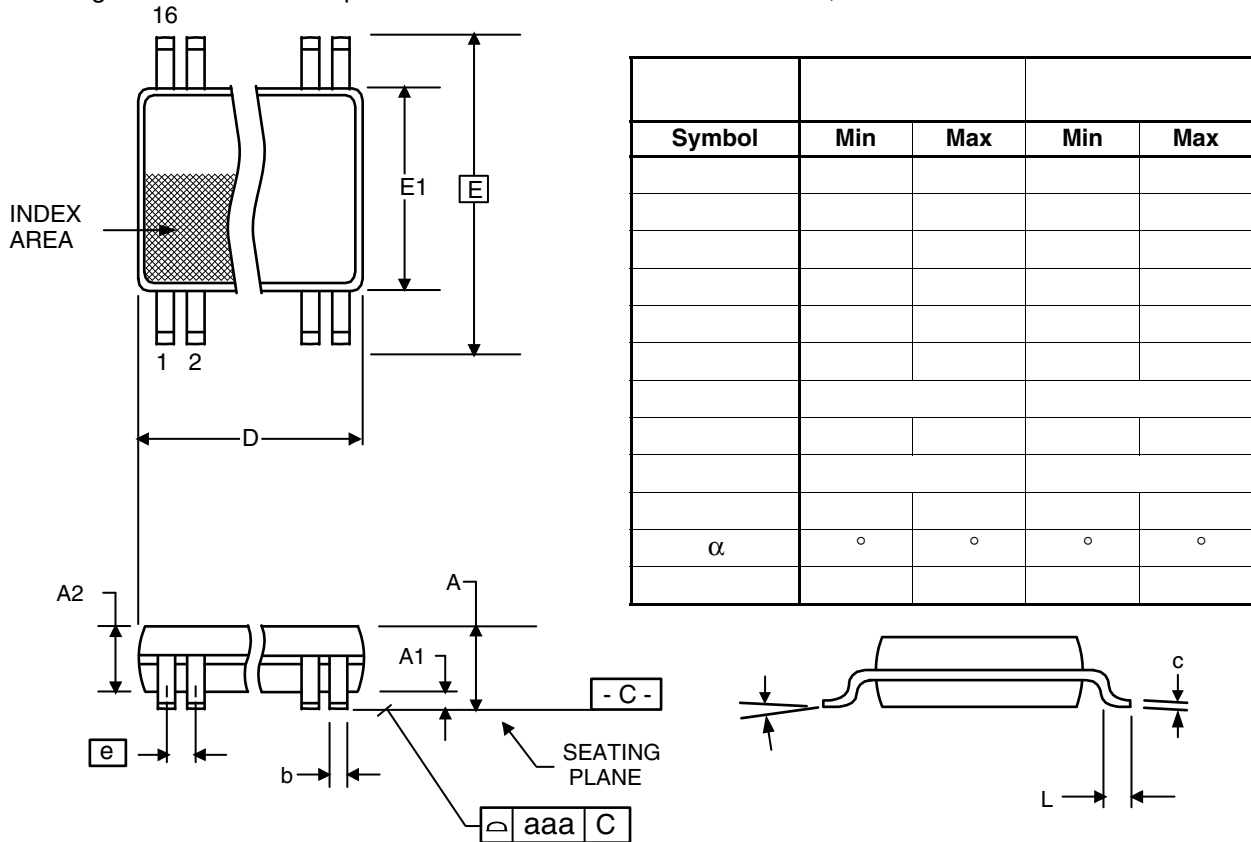
Parameter	Symbol	Conditions	Min.	Typ.	Max.	Units
Input Crystal or Clock Frequency				1.544 or 2.048		MHz
Output Clock Rise Time	t_{OR}	20% to 80%			1.5	ns
Output Clock Fall Time	t_{OF}	80% to 20%			1.5	ns
Output Clock Rise Time	t_{OR}	20% to 80%, TA = -40 to +85° C			1.7	ns
Output Clock Fall Time	t_{OF}	80% to 20%, TA = -40 to +85° C			1.7	ns
Output Clock Duty Cycle	t_{OD}	At VDD/2	40	50	60	%
Start-up Time		VDD = 3.3 V to CLK stable			10	ms
Maximum Absolute Jitter, short term				±100		ps
Maximum Absolute Jitter, short term		TA = -40 to +85° C		±150		ps
One Sigma Jitter				25		ps

Thermal Characteristics

Parameter	Symbol	Conditions	Min.	Typ.	Max.	Units
Thermal Resistance Junction to Ambient	θ_{JA}	Still air		78		°C/W
	θ_{JA}	1 m/s air flow		70		°C/W
	θ_{JA}	3 m/s air flow		68		°C/W
Thermal Resistance Junction to Case	θ_{JC}			37		°C/W

Package Outline and Package Dimensions (16-pin TSSOP)

Package dimensions are kept current with JEDEC Publication No. 95, MO-153



Ordering Information

Part / Order Number	Marking	Shipping Packaging	Package	Temperature
548G-05	548G-05	Tubes	16-pin TSSOP	0 to +70° C
548G-05T	548G-05	Tape and Reel	16-pin TSSOP	0 to +70° C
548G-05LF	548G05LF	Tubes	16-pin TSSOP	0 to +70° C
548G-05LFT	548G05LF	Tape and Reel	16-pin TSSOP	0 to +70° C
548G-05I	548G-05I	Tubes	16-pin TSSOP	-40 to +85° C
548G-05IT	548G-05I	Tape and Reel	16-pin TSSOP	-40 to +85° C
548G-05ILF	548G05IL	Tubes	16-pin TSSOP	-40 to +85° C
548G-05ILFT	548G05IL	Tape and Reel	16-pin TSSOP	-40 to +85° C

"LF" suffix to the part number are the Pb-Free configuration, RoHS compliant.

While the information presented herein has been checked for both accuracy and reliability, IDT assumes no responsibility for either its use or for the infringement of any patents or other rights of third parties, which would result from its use. No other circuits, patents, or licenses are implied. This product is intended for use in normal commercial applications. Any other applications such as those requiring extended temperature range, high reliability, or other extraordinary environmental requirements are not recommended without additional processing by IDT. IDT reserves the right to change any circuitry or specifications without notice. IDT does not authorize or warrant any IDT product for use in life support devices or critical medical instruments.

Innovate with IDT and accelerate your future networks. Contact:

www.IDT.com

For Sales

800-345-7015
408-284-8200
Fax: 408-284-2775

For Tech Support

www.idt.com/go/clockhelp

Corporate Headquarters

Integrated Device Technology, Inc.
6024 Silver Creek Valley Road
San Jose, CA 95138
www.idt.com

