

## 阅读申明

- 1.本站收集的数据手册和产品资料都来自互联网，版权归原作者所有。如读者和版权方有任何异议请及时告之，我们将妥善解决。
- 2.本站提供的中文数据手册是英文数据手册的中文翻译，其目的是协助用户阅读，该译文无法自动跟随原稿更新，同时也可能存在翻译上的不当。建议读者以英文原稿为参考以便获得更精准的信息。
- 3.本站提供的产品资料，来自厂商的技术支持或者使用者的心得体会等，其内容可能存在描述上的差异，建议读者做出适当判断。
- 4.如需与我们联系，请发邮件到marketing@iczoom.com，主题请标有“数据手册”字样。

## Read Statement

1. The datasheets and other product information on the site are all from network reference or other public materials, and the copyright belongs to the original author and original published source. If readers and copyright owners have any objections, please contact us and we will deal with it in a timely manner.
2. The Chinese datasheets provided on the website is a Chinese translation of the English datasheets. Its purpose is for reader's learning exchange only and do not involve commercial purposes. The translation cannot be automatically updated with the original manuscript, and there may also be improper translations. Readers are advised to use the English manuscript as a reference for more accurate information.
3. All product information provided on the website refer to solutions from manufacturers' technical support or users the contents may have differences in description, and readers are advised to take the original article as the standard.
4. If you have any questions, please contact us at marketing@iczoom.com and mark the subject with "Datasheets" .

**PECL INPUT OSCAR™ USER CONFIGURABLE CLOCK**
**ICS525-03**
**Description**

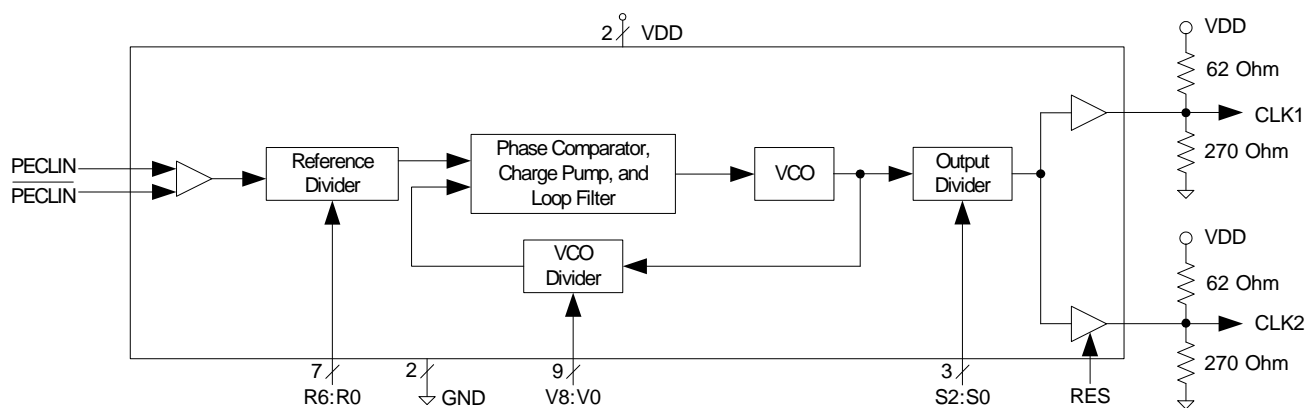
The ICS525-03 are the most flexible way to generate a high-quality, high-accuracy, high-frequency clock output from a PECL input. The name OSCaR stands for OSCillator Replacement, as they are designed to replace crystal oscillators in almost any electronic system. The user can configure the device to produce nearly any output frequency from any input frequency by grounding or floating the select pins. Neither microcontroller, software, nor device programmer are needed to set the frequency. Using Phase-Locked Loop (PLL) techniques, the device accepts a PECL clock to produce output clocks up to 250 MHz, keeping them frequency locked together. Resistors are for PECL outputs only.

For simple multipliers to produce common frequencies, refer to the LOCO™ family of parts, which are smaller and more cost effective.

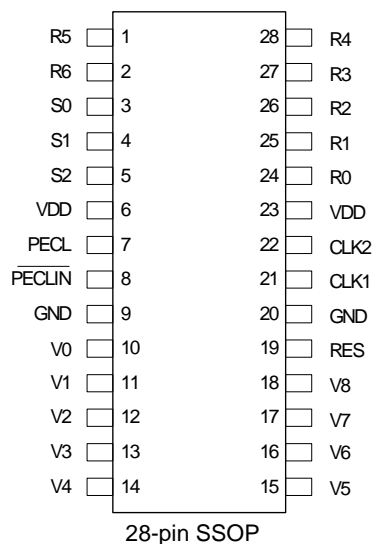
This product is intended for clock generation. It has low output jitter (variation in the output period), but input to output skew and jitter are not defined nor guaranteed.

**Features**

- Packaged as 28-pin SSOP (150 mil body)
- Highly accurate frequency generation
- User determines the output frequency by setting all internal dividers
- Eliminates need for custom oscillators
- No software needed
- Pull-ups on all select inputs
- PECL input clock frequency of 0.5 to 250 MHz
- Output clock frequencies up to 250 MHz
- Very low jitter
- Operating voltage of 3.0 V or 5.5 V
- 25 mA drive capability at TTL levels
- Ideal for oscillator replacement
- Industrial temperature
- Pb (lead) free package
- Advanced, low-power CMOS process

**Block Diagram**


## Pin Assignment



## RES Value Table

RES	CLK1	CLK2	Pre-divide (P)
0	CMOS	CMOS	2
1.1 kΩ Resistor to VDD	PECL	PECL	1

## Output Divider and Maximum Output Frequency Table

S2 pin 5	S1 pin 4	S0 pin 3	CLK Output Divider (OD)	Max. Output Frequency (MHz)			
				VDD = 5 V		VDD = 3.3 V	
				RES = 0	RES = 1.1 kΩ	RES = 0	RES = 1.1 kΩ
0	0	0	6	67	34	40	20
0	0	1	2	200	100	120	60
0	1	0	8	50	25	30	15
0	1	1	4	100	50	60	30
1	0	0	5	80	40	48	24
1	0	1	7	57	29	34	17
1	1	0	1	250	200	200	125
1	1	1	3	133	80	80	40

Note: 0 = connect directly to ground; 1 = connect directly to VDD.

## Pin Descriptions

Pin Number	Pin Name	Pin Type	Pin Description
1, 2, 24-28	R5, R6, R0-R4	I(PU)	Reference divider word input pins determined by user. Forms a binary number from 0 to 127.
3, 4, 5	S0, S1, S2	I(PU)	Select pins for output divider determined by user. See table above.
6, 23	VDD	Power	Connect to VDD.
7	PECLIN	Input	PECL input.
8	PECLIN	Input	Complementary PECL input.
9, 20	GND	Power	Connect to ground.
10 - 18	V0 - V8	I(PU)	VCO divider word input pins determined by user. Forms a binary number from 0 to 511.
19	RES	Input	Select either PECL or CMOS outputs. See table above.
21	CLK1	Output	Output clock. Either PECL or CMOS determined by RES.
22	CLK2	Output	Output clock. Either PECL or CMOS determined by RES.

KEY: I(PU) = Input with internal pull-up resistor.

## Output Clock Selection

If RES is connected directly to ground, CLK1 and CLK2 are low skew, CMOS outputs clocks. They are not complementary. If RES is connected to VDD through a 1.1 k $\Omega$  resistor, then CLK1 and CLK2 become complementary PECL outputs which require the external resistor network shown in the the block diagram. Refer to Application Note MAN09 for additional information.

## External Components/Crystal Selection

### Decoupling Capacitors

The ICS525-03 requires two 0.01µF decoupling capacitors to be connected between VDD and GND, one on each side of the chip. The capacitor must be connected close to the device to minimize lead inductance. No external power supply filtering is required for this device.

### External Resistors

If PECL outputs are desired, RES should be tied to VDD with a 1.1 kΩ resistor. Each output needs a resistive network of 62Ω and 270Ω per the block diagram on page 1. Application note MAN09 gives more information about resistor selection.

### Determining (setting) the Output Frequency

Users have full control in setting the desired output frequency over the range shown in the table on page 2. To replace a standard oscillator, users should connect the divider select input pins directly to ground (or VDD, although this is not required because of internal pull-ups) during Printed Circuit Board layout. The ICS525-03 will automatically produce the correct clock when all components are soldered. It is also possible to connect the inputs to parallel I/O ports to switch frequencies. By choosing dividers carefully, the number of inputs which need to be changed can be minimized. Observe the restrictions on allowed values of VDW and RDW.

The output of the ICS525-03 can be determined by the following simple equation:

$$\text{CLK Frequency} = \text{Input Frequency} \times \text{PX} \frac{(\text{VDW} + 8)}{(\text{RDW} + 2) \cdot \text{OD}}$$

Where:

Reference Divider Word (RDW) = 0 to 127

VCO Divider Word (VDW) = 0 to 511

Output Divider (OD) = values on page 2

Pre-divide (P) = values on page 2 under RES Value Table

Also, the following operating ranges should be observed:

$$10 \text{ MHz} < \text{Input frequency} \times \frac{(\text{VDW} + 8)}{(\text{RDW} + 2)} < 350 \text{ MHz at 5.0 V or} \\ < 250 \text{ MHz at 3.3 V}$$

$$200 \text{ kHz} < \frac{\text{Input Frequency}}{(\text{RDW} + 2)}$$

(See table on page 2 for full details of maximum output)

The dividers are expressed as integers, so that if a 66.66 MHz PECL output is desired from a 14.31818 MHz PECL input, the Reference Divider Word (RDW) should be 59 and the VCO Divider Word (VDW) should be 276, with an Output Divider (OD) of 1. To select PECL outputs, the RES pin should be tied to VDD with a 1.1 kΩ resistor.

In this example, R6:R0 is 100010100, and S2:S0 is 110. Since all of these inputs have pull-up resistors, it is only necessary to ground the zero pins, namely V7, V6, V5, V3, V1, V0, R6, R2 and S0.

To determine the best combination of VCO, reference, and output divide, use the ICS525 Calculator on our web site. The online form is easy to use and quickly shows you up to three options for these settings. Alternately, you may send an e-mail to [cmd-support@idt.com](mailto:cmd-support@idt.com).

## Absolute Maximum Ratings

Stresses above the ratings listed below can cause permanent damage to the ICS525-03. These ratings, which are standard values for IDT commercially rated parts, are stress ratings only. Functional operation of the device at these or any other conditions above those indicated in the operational sections of the specifications is not implied. Exposure to absolute maximum rating conditions for extended periods can affect product reliability. Electrical parameters are guaranteed only over the recommended operating temperature range.

Item	Rating
Supply Voltage, VDD	7 V
All Inputs and Outputs	-0.5 V to VDD+0.5 V
Ambient Operating Temperature, Industrial	-40 to +85° C
Storage Temperature	-65° C to 150° C
Junction Temperature	125° C
Soldering Temperature	260° C (max. of 10 seconds)

## DC Electrical Characteristics

Unless stated otherwise, VDD = 3.3 V

Parameter	Symbol	Conditions	Min.	Typ.	Max.	Units
Operating Voltage	VDD		3.0		5.5	V
Operating Supply Current	IDD	60 MHz out, no load		15		mA
Operating Supply Current, LVPECL mode	IDD	With termination resistors		35		mA
Input High Voltage	V <sub>IH</sub>		2			V
Input Low Voltage	V <sub>IL</sub>				0.8	V
Peak-to-peak Input Voltage		PECLIN, $\overline{\text{PECLIN}}$	0.3		1	V
Common Mode Range		PECLIN, $\overline{\text{PECLIN}}$	VDD-1.4		VDD-0.6	
Output High Voltage	V <sub>OH</sub>	I <sub>OH</sub> = -25 mA, CMOS out	2.4			V
Output Low Voltage	V <sub>OL</sub>	I <sub>OL</sub> = 25 mA, CMOS out			0.4	V
Short Circuit Current		CMOS out		±70		mA
Input Capacitance	C <sub>IN</sub>	V, R, S select pins		4		pF
On-chip Pull-up Resistor	R <sub>PU</sub>	V, R, S select pins		270		kΩ

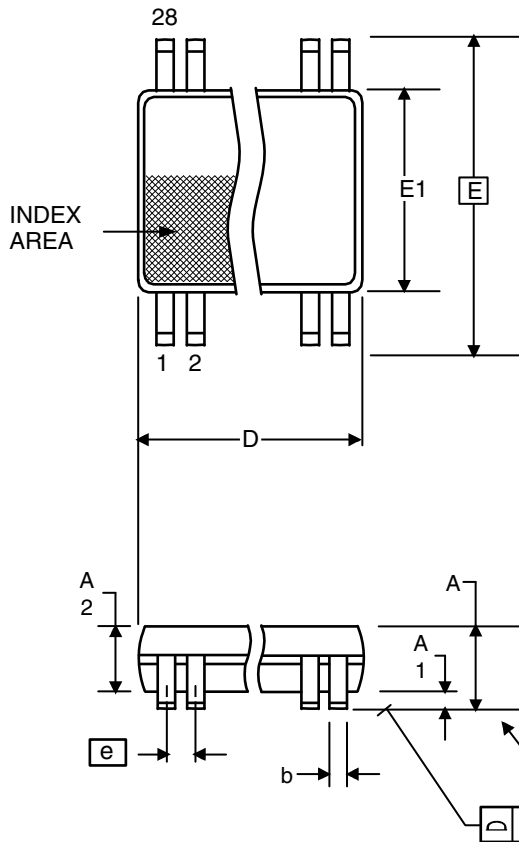
## AC Electrical Characteristics

Unless stated otherwise, VDD = 3.3 V

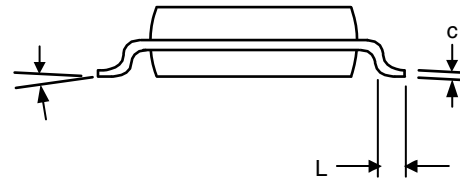
Parameter	Symbol	Conditions	Min.	Typ.	Max.	Units
Input Frequency	$F_{IN}$	Clock input	0.5		250	MHz
Output Frequency, VDD=4.5 to 5 V	$F_{OUT}$	OD = 1	1		250	MHz
Output Frequency, VDD=3.0 to 3.6 V	$F_{OUT}$	OD = 1	1		200	MHz
Output Clock Rise Time, CMOS clock		0.8 to 2.0 V		1		ns
Output Clock Fall Time, CMOS clock		2.0 to 0.8 V		1		ns
Output Clock Duty Cycle, even output dividers		at VDD/2	45		55	%
Output Clock Duty Cycle, odd output dividers		at VDD/2	40		60	%
Absolute Clock Period Jitter	$t_{ja}$	Deviation from mean		±350		ps
One Sigma Clock Period Jitter	$t_{js}$	One Sigma		125		ps

## Package Outline and Package Dimensions (28-pin SSOP, 150 mil Body)

Package dimensions are kept current with JEDEC Publication No. 95, MO-153



Symbol	Millimeters		Inches	
	Min	Max	Min	Max
A	1.35	1.75	.053	.069
A1	0.10	0.25	.0040	.010
A2	--	1.50	--	.059
b	0.20	0.30	.008	.012
C	0.18	0.25	.007	.010
D	9.80	10.00	.386	.394
E	5.80	6.20	.228	.244
E1	3.80	4.00	.150	.157
e	0.635 Basic		0.025 Basic	
L	0.40	1.27	.016	.050
α	0°	8°	0°	8°
aaa	--	0.10	--	0.004



### \*Ordering Information

Part / Order Number	Marking	Shipping Packaging	Package	Temperature
525R-03ILF	ICS525R-03ILF	Tubes	28-pin SSOP	-40 to +85° C
525R-03ILFT	ICS525R-03ILF	Tape and Reel	28-pin SSOP	-40 to +85° C

"LF" suffix to the part number are the Pb-Free configuration and are RoHS compliant.

While the information presented herein has been checked for both accuracy and reliability, Integrated Device Technology (IDT) assumes no responsibility for either its use or for the infringement of any patents or other rights of third parties, which would result from its use. No other circuits, patents, or licenses are implied. This product is intended for use in normal commercial applications. Any other applications such as those requiring extended temperature range, high reliability, or other extraordinary environmental requirements are not recommended without additional processing by IDT. IDT reserves the right to change any circuitry or specifications without notice. IDT does not authorize or warrant any IDT product for use in life support devices or critical medical instruments.



**Innovate with IDT and accelerate your future networks. Contact:**

[www.IDT.com](http://www.IDT.com)

**For Sales**

800-345-7015  
408-284-8200  
Fax: 408-284-2775

**For Tech Support**

[www.idt.com/go/clockhelp](http://www.idt.com/go/clockhelp)

---

**Corporate Headquarters**

Integrated Device Technology, Inc.  
[www.idt.com](http://www.idt.com)

