

阅读申明

- 1.本站收集的数据手册和产品资料都来自互联网，版权归原作者所有。如读者和版权方有任何异议请及时告之，我们将妥善解决。
- 2.本站提供的中文数据手册是英文数据手册的中文翻译，其目的是协助用户阅读，该译文无法自动跟随原稿更新，同时也可能存在翻译上的不当。建议读者以英文原稿为参考以便获得更精准的信息。
- 3.本站提供的产品资料，来自厂商的技术支持或者使用者的心得体会等，其内容可能存在描述上的差异，建议读者做出适当判断。
- 4.如需与我们联系，请发邮件到marketing@iczoom.com，主题请标有“数据手册”字样。

Read Statement

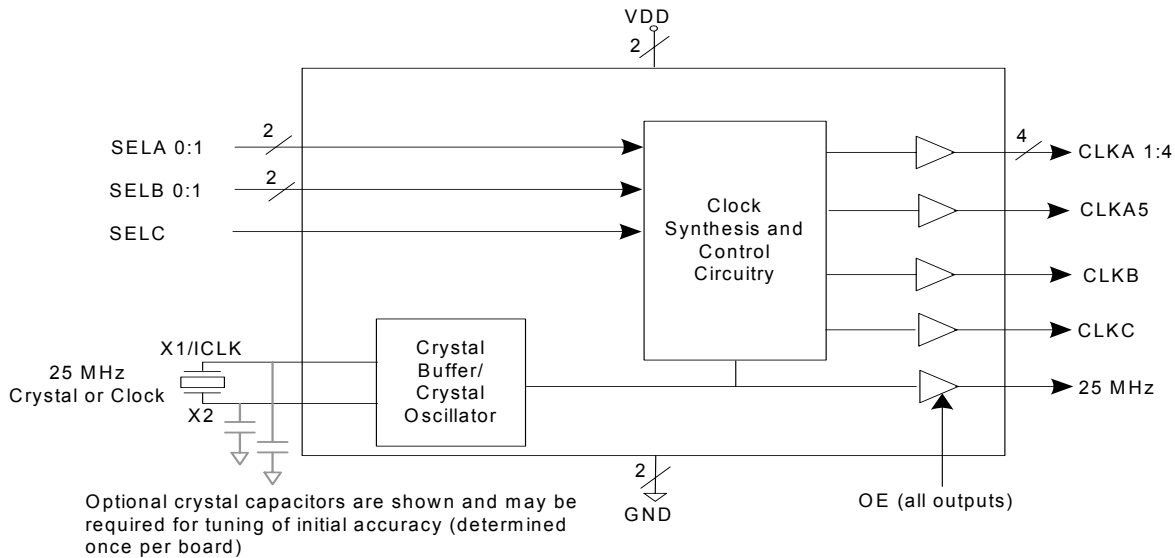
1. The datasheets and other product information on the site are all from network reference or other public materials, and the copyright belongs to the original author and original published source. If readers and copyright owners have any objections, please contact us and we will deal with it in a timely manner.
2. The Chinese datasheets provided on the website is a Chinese translation of the English datasheets. Its purpose is for reader's learning exchange only and do not involve commercial purposes. The translation cannot be automatically updated with the original manuscript, and there may also be improper translations. Readers are advised to use the English manuscript as a reference for more accurate information.
3. All product information provided on the website refer to solutions from manufacturers' technical support or users the contents may have differences in description, and readers are advised to take the original article as the standard.
4. If you have any questions, please contact us at marketing@iczoom.com and mark the subject with "Datasheets" .

NETWORKING SYSTEM CLOCK
ICS650-14
Description

The ICS650-14 is a low-cost, low-jitter, high-performance clock synthesizer customized for networking systems applications. Using analog/digital Phase-Locked Loop (PLL) techniques, the device accepts a 25 MHz clock or fundamental mode crystal input to produce multiple output clocks of one fixed 25 MHz, a four (plus one) frequency selectable bank, and two frequency selectable clocks. All output clocks are frequency locked together. All of the ICS650-14 outputs have zero ppm synthesis error.

Features

- Packaged in 20-pin (150 mil) SSOP (QSOP)
- 25 MHz fundamental crystal clock or clock input
- One fixed output clock of 25 MHz
- One bank of four frequency selectable output clocks
- Three frequency selectable clocks outputs
- Zero ppm synthesis error in all clocks
- Ideal for networking systems
- Full CMOS output swing
- Advanced, low-power sub-micron CMOS process
- Operating voltage of 3.3 V or 5 V
- Industrial temperature range available
- Pb-free, RoHS compliant package

Block Diagram


Pin Assignment

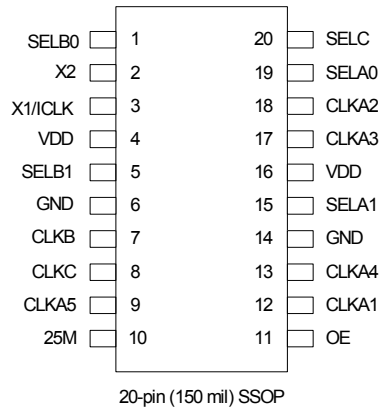


Table 1

SELA1	SELA0	CLKA1:4	CLKA5
0	0	33.33	66.66
0	M	50	75
0	1	66.67	133.33
M	0	100	33.33
M	M	33.33	83.33
M	1	50	125
1	0	33.33	100
1	M	25	75
1	1	66.67	100

Table 2

SELB1	SELB0	CLKB
0	0	30
0	M	27
0	1	48
1	0	83.33
1	M	19.44
1	1	80

Table 3

SELC	CLKC
0	CLKB/4
M	62.5
1	125

0 = connect directly to ground

1 = connect directly to VDD

M = leave unconnected (floating)

Pin Descriptions

Pin Number	Pin Name	Pin Type	Pin Description
1	SELB0	TI	Select pin for CLKB. See table 2.
2	X2	XO	Crystal connection. Connect to a 25 MHz crystal or leave unconnected for clock input.
3	X1/ICLK	XI	Crystal connection. Connect to a 25 MHz fundamental crystal or clock input.
4	VDD	P	Connect to 3.3 V or 5 V. Must be same as other VDDs.
5	SELB1	I(Pu)	Select pin for CLK B. See table 2.
6	GND	P	Connect to ground.
7	CLKB	O	Selectable clock output. See table 2.
8	CLKC	O	Selectable clock output. See table 3.
9	CLKA5	O	Selectable clock output. See table 1.
10	25M	Ou	25 MHz clock output.
11	OE	I(Pu)	Output enable. Tri-states all outputs when low. Internal pull-up.
12	CLKA1	O	Selectable clock output. See table 1.

Pin Number	Pin Name	Pin Type	Pin Description
13	CLKA4	O	Selectable clock output. See table 1.
14	GND	P	Connect to ground.
15	SELA1	TI	Select pin for CLKA1:4 and CLKA5 outputs. See table 1.
16	VDD	P	Connect to 3.3 V or 5 V. Must be same as other VDDs.
17	CLKA3	O	Selectable clock output. See table 1.
18	CLKA2	O	Selectable clock output. See table 1.
19	SELA0	TI	Select pin for CLKA1:4 and CLKA5 outputs. See table 1.
20	SELC	TI	Select pin for CLKC output. See table 3.

Key: XI, XO = crystal connections; I = input; I(Pu) = input with pull-up; O = output; P = power supply connection; TI = tri-level input

External Components

The ICS650-14 requires a minimum number of external components for proper operation.

Decoupling Capacitor

Decoupling capacitors of 0.01µF must be connected between each VDD and GND (pins 4 and 6, pins 16 and 14), as close to the device as possible. For optimum device performance, the decoupling capacitor should be mounted on the component side of the PCB. Avoid the use of vias in the decoupling circuit.

Series Termination Resistor

When the PCB trace between the clock outputs and the loads are over 1 inch, series termination should be used. To series terminate a 50Ω trace (a commonly used trace impedance) place a 33Ω resistor in series with the clock line, as close to the clock output pin as possible. The nominal impedance of the clock output is 20Ω

Crystal Information

The crystal used should be a fundamental mode (do not use third overtone), parallel resonant. Crystal capacitors should be connected from pins X1 to ground and X2 to ground to optimize the initial accuracy. The value of these capacitors is given by the following equation:

$$\text{Crystal caps (pF)} = (C_L - 6) \times 2$$

In the equation, C_L is the crystal load capacitance. For a crystal with a 16 pF load capacitance, two 20 pF [(16-6) x 2] capacitors should be used.

Absolute Maximum Ratings

Stresses above the ratings listed below can cause permanent damage to the ICS650-14. These ratings, which are standard values for IDT commercially rated parts, are stress ratings only. Functional operation of the device at these or any other conditions above those indicated in the operational sections of the specifications is not implied. Exposure to absolute maximum rating conditions for extended periods can affect product reliability. Electrical parameters are guaranteed only over the recommended operating temperature range.

Item	Rating
Supply Voltage, VDD (referenced to GND)	7 V
Inputs and Outputs (referenced to GND)	-0.5 V to VDD+0.5 V
Ambient Operating Temperature	0 to +70° C
Ambient Operating Temperature (industrial "I" version)	-40 to 85° C
Soldering Temperature (max. of 20 seconds)	-65 to +150° C
Storage Temperature	260° C

DC Electrical Characteristics

Unless stated otherwise, **VDD = 3.3 V ±10%**, Ambient Temperature 0 to +70° C

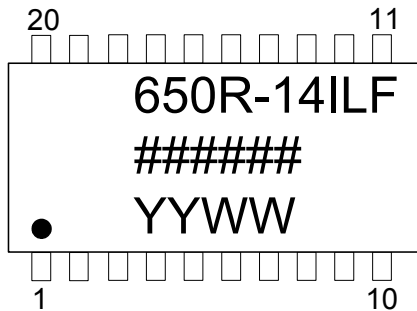
Parameter	Symbol	Conditions	Min.	Typ.	Max.	Units
Operating Voltage	VDD		3.0		5.5	V
Input High Voltage (X1 pin only)	V _{IH}	Clock input	VDD/2+1			V
Input Low Voltage (X1 pin only)	V _{IL}	Clock input			VDD/2-1	V
Input High Voltage (SEL pins only)	V _{IH}		VDD-0.5			V
Input Low Voltage (SEL pins only)	V _{IL}				0.5	V
Input High Voltage (OE pin only)	V _{IH}		2.0			V
Input Low Voltage (OE pin only)	V _{IL}				0.8	V
Output High Voltage	V _{OH}	I _{OH} = -12 mA	2.4			V
Output High Voltage (CMOS level)	V _{OH}	I _{OH} = -8 mA	VDD-0.4			V
Output Low Voltage	V _{OL}	I _{OL} = 12 mA			0.4	V
Operating Supply Current	I _{DD}	No load, VDD = 3.3 V		32		mA
Short Circuit Current		Each output		±50		mA

AC Electrical Characteristics

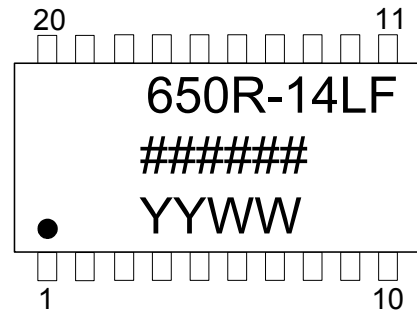
Unless stated otherwise, $V_{DD} = 3.3\text{ V} \pm 10\%$, Ambient Temperature 0 to $+70^{\circ}\text{ C}$

Parameter	Symbol	Conditions	Min.	Typ.	Max.	Units
Input Frequency				25		MHz
Output Clock Rise Time	t_{OR}	0.8 to 2.0 V			1.5	ns
Output Clock Fall Time	t_{OF}	2.0 to 0.8 V			1.5	ns
Output Clock Duty Cycle		At $V_{DD}/2$	45	50	55	%
Frequency Error		All clocks			0	ppm
Absolute Jitter, short term		CLKB = 27M		± 250		ps
		CLKC = 62.5M		± 300		ps
		Other Clocks		± 350		ps

Marking Diagram (ICS650R-14ILF)



Marking Diagram (ICS650R-14LF)

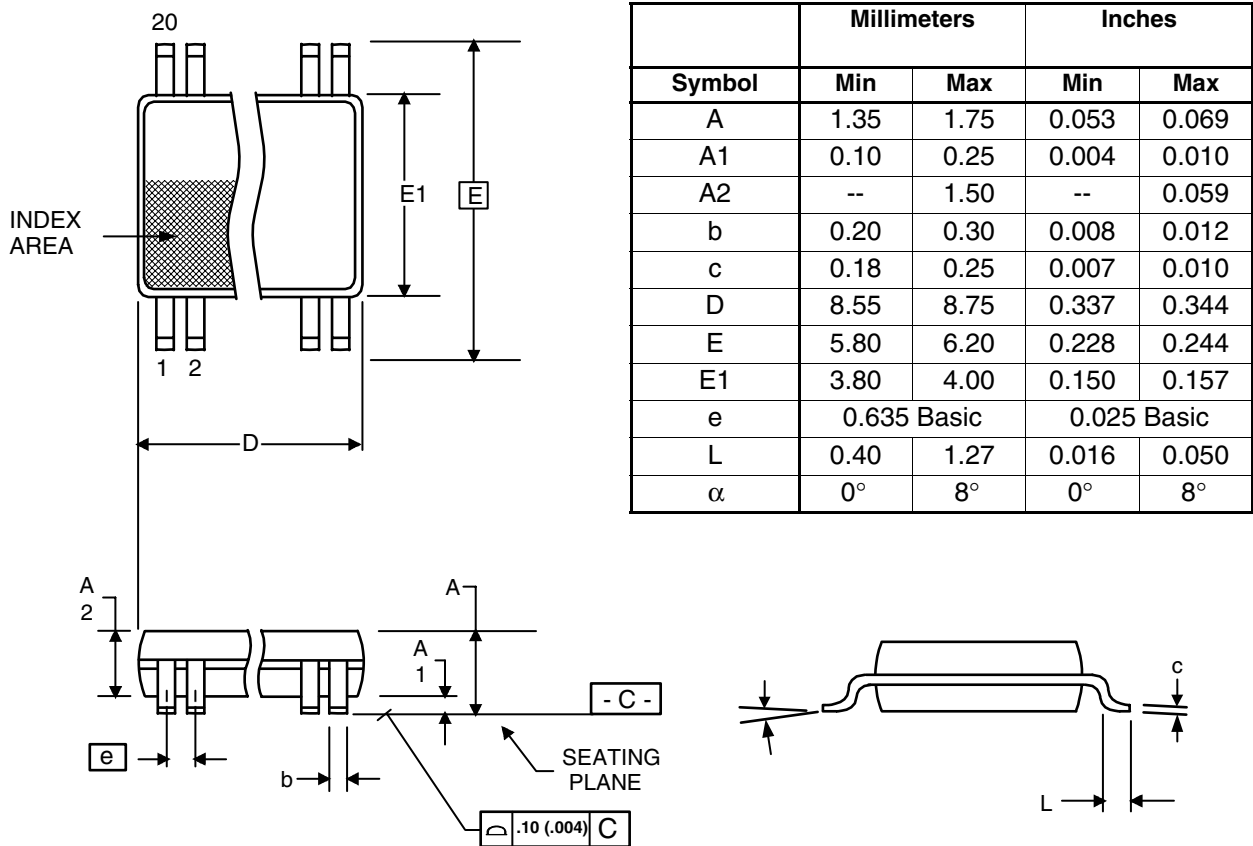


Notes:

- ##### is the lot code.
- YYWW is the last two digits of the year, and the week number that the part was assembled.
- "LF" denotes Pb-free, RoHS compliant package.
- "I" denotes industrial grade device.
- Bottom marking: country of origin.

Package Outline and Package Dimensions (20-pin SSOP, 150 Mil. Body)

Package dimensions are kept current with JEDEC Publication No. 95



Ordering Information

Part / Order Number	Marking	Shipping Packaging	Package	Temperature
650R-14LF	see page 5	Tubes	20-pin SSOP	0 to +70° C
650R-14LFT		Tape and Reel	20-pin SSOP	0 to +70° C
650R-14ILF		Tubes	20-pin SSOP	-40 to 85° C
650R-14ILFT		Tape and Reel	20-pin SSOP	-40 to 85° C

"LF" suffix to the part number are the Pb-Free configuration and are RoHS compliant.

While the information presented herein has been checked for both accuracy and reliability, Integrated Device Technology (IDT) assumes no responsibility for either its use or for the infringement of any patents or other rights of third parties, which would result from its use. No other circuits, patents, or licenses are implied. This product is intended for use in normal commercial applications. Any other applications such as those requiring extended temperature range, high reliability, or other extraordinary environmental requirements are not recommended without additional processing by IDT. IDT reserves the right to change any circuitry or specifications without notice. IDT does not authorize or warrant any IDT product for use in life support devices or critical medical instruments.

Innovate with IDT and accelerate your future networks. Contact:

www.IDT.com

For Sales

800-345-7015
408-284-8200
Fax: 408-284-2775

For Tech Support

www.idt.com/go/clockhelp

Corporate Headquarters

Integrated Device Technology, Inc.
www.idt.com