

## 阅读申明

- 1.本站收集的数据手册和产品资料都来自互联网，版权归原作者所有。如读者和版权方有任何异议请及时告之，我们将妥善解决。
- 2.本站提供的中文数据手册是英文数据手册的中文翻译，其目的是协助用户阅读，该译文无法自动跟随原稿更新，同时也可能存在翻译上的不当。建议读者以英文原稿为参考以便获得更精准的信息。
- 3.本站提供的产品资料，来自厂商的技术支持或者使用者的心得体会等，其内容可能存在描述上的差异，建议读者做出适当判断。
- 4.如需与我们联系，请发邮件到marketing@iczoom.com，主题请标有“数据手册”字样。

## Read Statement

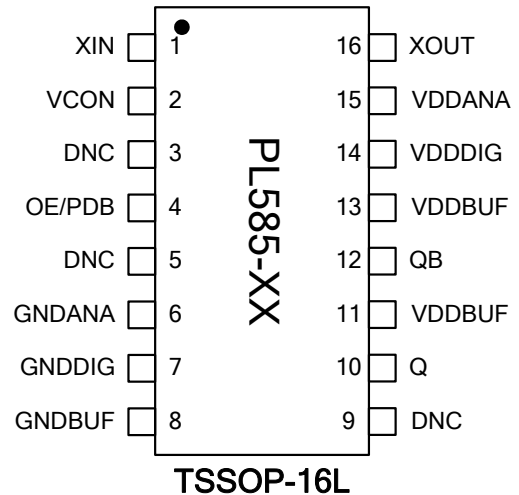
1. The datasheets and other product information on the site are all from network reference or other public materials, and the copyright belongs to the original author and original published source. If readers and copyright owners have any objections, please contact us and we will deal with it in a timely manner.
2. The Chinese datasheets provided on the website is a Chinese translation of the English datasheets. Its purpose is for reader's learning exchange only and do not involve commercial purposes. The translation cannot be automatically updated with the original manuscript, and there may also be improper translations. Readers are advised to use the English manuscript as a reference for more accurate information.
3. All product information provided on the website refer to solutions from manufacturers' technical support or users the contents may have differences in description, and readers are advised to take the original article as the standard.
4. If you have any questions, please contact us at marketing@iczoom.com and mark the subject with "Datasheets" .

**19MHz to 800MHz Low Phase-Noise VCXO**

**FEATURES**

- < 0.5ps RMS phase jitter (12kHz to 20MHz) at 622.08MHz (LVPECL/LVDS)
- 30ps max peak to peak period jitter
- Ultra Low-Power Consumption
  - < 90mA @622MHz PECL output
  - < 10µA at Power Down (PDB) Mode
- Input Frequency:
  - Fundamental Crystal: 19MHz to 44MHz
- Output Frequency:
  - 19MHz to 800MHz output.
- Output types: LVPECL, LVDS, or LVCMOS.
- High Linearity VCXO: <10% linearity
- Pullability: ±150 ppm
- Programmable OE input polarity,
  - o Programmable Hi-Z or Active Low disabled state (CMOS output only)
- Power Supply: 3.3V, ±10%
- Operating Temperature Ranges:
  - Commercial: 0°C to 70°C
  - Industrial: -40°C to 85°C
- Available in TSSOP package

**PIN CONFIGURATION**



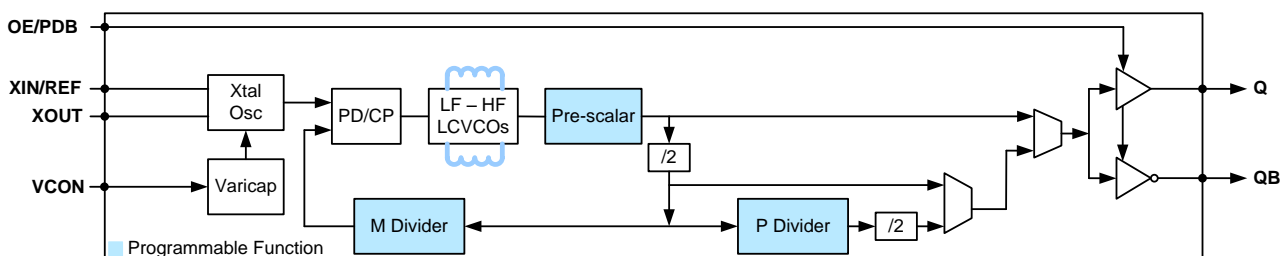
**DESCRIPTION**

The PL585 is a Dual LC core monolithic IC VCXO, capable of maintaining sub-picoseconds RMS phase jitter, while covering a wide frequency output range up to 800MHz, without the use of external components. The high performance and high frequency output is achieved using a low cost fundamental crystal of between 19MHz and 44 MHz. The PL585 is designed to address the demanding requirements of high performance applications such as Fiber Channel, serial ATA, Ethernet, SAN, SONET/SDH, etc.

**OUTPUT ENABLE CONTROL**

OE Options (Programmable)	OE	State
Conventional Polarity	0 (Default)	Output enabled
	1	Tri-state
Reverse Polarity	0	Tri-state
	1 (Default)	Output enabled

**BLOCK DIAGRAM**



**19MHz to 800MHz Low Phase-Noise VCXO**
**PIN ASSIGNMENT**

Name	Pin #	Type	Description
XIN	1	I	Crystal input connection.
VCON	2	I	Analog voltage control pin.
DNC	3, 5, 9	-	Do Not Connect.
OE/PDB	4	I	This pin may be programmed as output enable (OE), or power-down (PDB) pin. This pin incorporates an Internal pull-up resistor of 60KΩ for OE, and PDB, operations.
GND_ANA	6	P	GND connection for analog circuitry.
GND_DIG	7	P	GND connection for digital circuitry.
GND_BUF	8	P	GND connection for buffer circuitry.
Q	10	O	True Output buffer.
QB	12	O	Complementary Output buffer.
VDD_BUF	11, 13	P	VDD connection for buffer circuitry.
VDD_DIG	14	P	VDD connection for digital circuitry.
VDD_ANA	15	P	VDD connection for analog circuitry.
XOUT	16	P	Output connection to crystal.

**OPTION SELECTION TABLE**

PL585 is a fully programmable VCXO IC. However, for ordering convenience, the following part numbers have been created for when simple multiplication is used, for your convenience. When other features of the IC are exercised (i.e. reverse polarity on OE, power down, etc.), another 3-digit code is used to identify the functionality.

Input Crystal Frequency Range (MHz)	Multiplication Factor	Output Frequency Range (MHz)		Part #
		Low Limit	High Limit	
33.750000 ~ 40.000000	X20	675.00	800.00	PL585-P8-020
33.333333 ~ 42.187500	X16	533.33	675.00	PL585-P8-168
32.142857 ~ 38.095238	X14	450.00	533.33	PL585-P8-148
33.333333 ~ 37.500000	X12	400.00	450.00	PL585-P8-128
33.750000 ~ 40.000000	X10	337.50	400.00	PL585-P8-108
33.333333 ~ 42.187500	X8	266.67	337.50	PL585-P8-088
32.142857 ~ 38.095238	X7	225.00	266.67	PL585-P8-078
33.333333 ~ 37.500000	X6	200.00	225.00	PL585-P8-068
33.750000 ~ 40.000000	X5	168.75	200.00	PL585-P8-058
33.333333 ~ 42.187500	X4	133.33	168.75	PL585-P8-048
32.142857 ~ 38.095238	X3.5	112.50	133.33	PL585-P8-358
33.333333 ~ 37.500000	X3	100.00	112.50	PL585-P8-038
33.750000 ~ 40.000000	X2.5	84.375	100.00	PL585-P8-258
32.812500 ~ 42.187500	X2	65.625	84.375	PL585-P8-028

Common functionality for packaged parts in the above table: OE function active high polarity. Please inform your Sales representative for active low OE functionality.

**19MHz to 800MHz Low Phase-Noise VCXO**

**FUNCTIONAL DESCRIPTION**

PL585 family of products is an advanced, programmable LCVCO VCXO IC that is designed to meet the most stringent performance specifications for phase noise, jitter, and power consumption.

There are two main types of VCOs, a) Ring Oscillator, b) LC Tank oscillator. An LCVCO is made up of LC tank oscillator. Although a Ring Oscillator has very good performance, and has a good tuning range, its phase noise and jitter performance, in particular at higher frequencies, degrades.

On the other hand, an LCVCO has an outstanding phase noise and jitter performance, even at higher frequencies. PL585 family of products takes advantage of this state of the art technology, and incorporates the LC tank on-chip, for optimal performance.

PL585 family of products exhibit very low phase noise/phase jitter and peak to peak jitter, wide tuning range, and very low-power. All members of the PL585 family accept a low-cost fundamental crystal input of 19MHz to 44MHz, and its flexible core is capable of producing any output frequency between 19MHz to 800MHz.

**PLL Programming**

The PLL in the PL585 family is fully programmable. Micrel programming software is used to configure and program the IC.

**OE (Output Enable)**

The OE pin in PL585 family, through programming, can be configured to support OE pin activation with a logic '1' or logic '0', to provide you with the desired enable polarity.

OE Options (Programmable)	OE	State
Conventional Polarity	0 (Default)	Output enabled
	1	Tri-state
Reverse Polarity	0	Tri-state
	1 (Default)	Output enabled

In addition, The OE feature can be programmed to allow the output to float (Hi Z), or to operate in the 'Active low' mode, for CMOS outputs. The programming control for the OE options is shown below:

OE Pin	Osc	PLL	Output
0	On	On	Hi Z
	On	On	Active '0' (CMOS Only)
1	Normal Operation (Default)		

Note: Typical enable time is <50ns plus one clock period.

The OE pin incorporates a 60KΩ resistor to either pull-up or pull-down to the default state when the OE pin is left open.

**Power-Down Control (PDB)**

When activated, this programmable feature 'Disables the VCO, the oscillator circuitry, counters, and all other active circuitry. PDB activation disables all outputs and the IC consumes <15µA of power, in the power down mode, to conserve power. The PDB input incorporates a 10MΩ pull up resistor for normal operating condition.

The PDB feature can be programmed to allow the output to float (Hi Z), or to operate in the 'Active low' mode, in CMOS output. The logic for PDB is shown below:

PDB Pin	Osc.	PLL	Output
0	Off	Off	Hi Z
	Off	Off	Active '0' (CMOS Only)
1	Normal Operation (Default)		

Note: Typical enable time is <10ms.

**19 MHz to 800MHz Low Phase-Noise VCXO**
**ELECTRICAL SPECIFICATIONS**
**1. ABSOLUTE MAXIMUM RATINGS**

PARAMETERS	SYMBOL	MIN	MAX	UNITS
Supply Voltage	$V_{DD}$		4.6	V
Input Voltage, dc	$V_I$	-0.5	$V_{DD}+0.5$	V
Output Voltage	$V_O$	-0.5	$V_{DD}+0.5$	V
Storage Temperature	$T_S$	-65	150	°C
Ambient Operating Temperature (industrial temperature)*	$T_{AI}$	-40	85	°C
Ambient Operating Temperature (commercial temperature)	$T_{AC}$	0	70	°C
Junction Temperature	$T_J$		125	°C
ESD Protection, Human Body Model		2		kV

Exposure of the device under conditions beyond the limits specified by Maximum Ratings for extended periods may cause permanent damage to the device and affect product reliability. These conditions represent a stress rating only, and functional operations of the device at these or any other conditions above the operational limits noted in this specification is not implied. \*Operating temperature is guaranteed by design. Parts are tested to commercial grade only.

**2. GENERAL ELECTRICAL SPECIFICATIONS**

PARAMETERS	SYMBOL	CONDITIONS	MIN	TYP	MAX	UNITS
Supply Current, Dynamic	$I_{DDQ}$	LVPECL, 622.08MHz, 3.3V			90	mA
Supply Current, PDB Enabled		PDB = 0, 3.3V			10	uA
Output Enable Time	$t_{OE}$	OE logic 0 to logic 1, $T_a=25^\circ\text{C}$ . Add one clock period to this measurement for a usable clock output.			50	ns
Power Up Time	$T_{PU}$	PDB logic 0 to logic 1, $T_a=25^\circ\text{C}$ .			10	ms
Operating Voltage	$V_{DD}$		2.97	3.3	3.63	V
Power Up Ramp Rate	$t_{PU}$	Time for $V_{DD}$ to reach 90% $V_{DD}$ . Power ramp must be monotonic.	0.1		100	ms
Auto-Calibration Time	$t_{AC}$	At power up			10	ms
Output Clock Duty Cycle		@ 50% of output waveform	45	50	55	%

**19 MHz to 800MHz Low Phase-Noise VCXO**
**3. VOLTAGE CONTROLLED CRYSTAL OSCILLATOR**

PARAMETERS	SYMBOL	CONDITIONS	MIN	TYP	MAX	UNITS
VCXO Pullability		VCON=1.65V, $\pm 1.65V$ XTAL $C_1 > 10fF$ and $C_0/C_1 < 250$		$\pm 150$		ppm
VCXO Tuning Characteristic				100		ppm/V
Pull Range Linearity					10	%
VCON Pin Input Impedance			10			M $\Omega$
VCON Modulation BW		$0V \leq VCON \leq 3.3V$ , -3dB	18			kHz

**4. CRYSTAL SPECIFICATIONS**

PARAMETERS	SYMBOL	CONDITIONS	MIN	TYP	MAX	UNITS
Crystal Resonator Frequency	$F_{XIN}$	Parallel Fundamental Mode	19		44	MHz
Crystal Load	$C_{L\_Crystal}$	$V_{DD} = 3.3V$ , VCON = 1.65V		8.5		
Shunt Capacitance	$C_{0\_Crystal}$				3.5	pF
Crystal Pullability	$C_0/C_1$	AT cut	250			--
Recommended ESR	$R_E$	AT cut , up to 40MHz			45	$\Omega$
		AT cut , up to 44MHz			40	$\Omega$

**5. JITTER SPECIFICATIONS**

PARAMETERS	FREQUENCY	CONDITIONS	MIN	TYP	MAX	UNITS
RMS Phase Jitter	622.08MHz	12kHz to 20MHz, XIN=38.88MHz		0.5		ps
Period Jitter, Pk-to-Pk	622.08MHz	10K cycles, LVPECL (-88) XIN=38.88MHz		25		ps
	212.5MHz	10K cycles, LVCMOS (-27), XIN=26.5625MHz		35		

**6. PHASE NOISE SPECIFICATIONS**

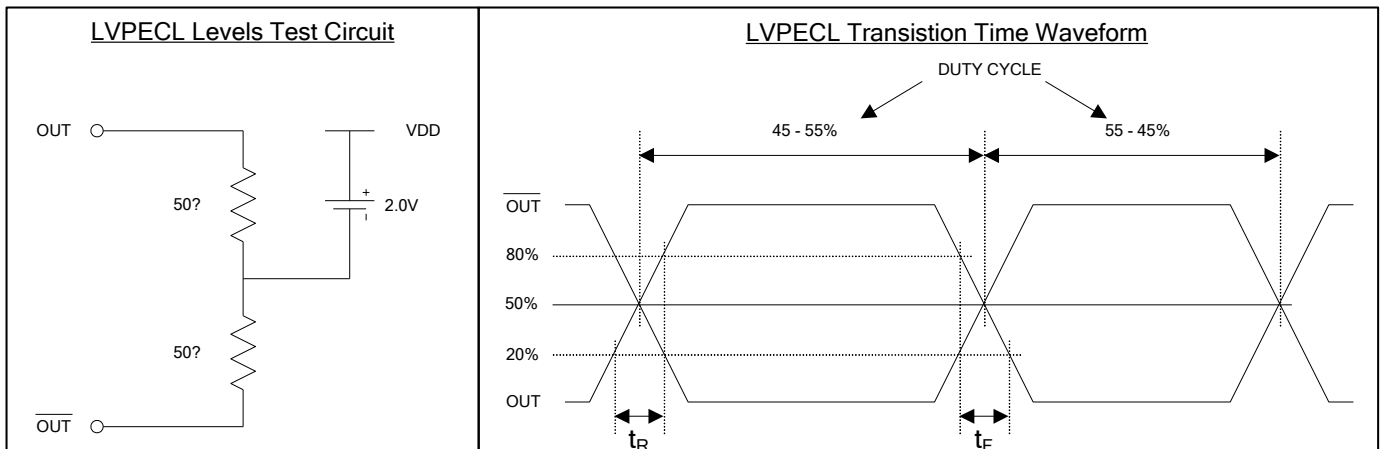
PARAMETERS	Freq. (MHz)	@ 10Hz	@ 100Hz	@ 1KHz	@ 10KHz	@ 100KHz	@ 1MHz	@ 10MHz	UNITS
Phase Noise, relative to carrier (typical)	155.52	-56	-86	-112	-123	-127	136	147	dBc/Hz
	622.08	-47	-77	-101	-111	-114	-127	-145	

Note: Phase Noise measured at VCON = 1.65V

**19MHz to 800MHz Low Phase-Noise VCXO**

**7. LVPECL OUTPUTS (Q, QB)**

PARAMETERS	SYMBOL	CONDITIONS	MIN	TYP	MAX	UNITS
Output High Voltage	$V_{OH}$	Q, QB Standard LVPECL Termination, $V_{DD} = 3.3V$	2.275	2.350	2.420	V
Output Low Voltage	$V_{OL}$		1.490	1.600	1.680	V
Output Frequency	$F_{out}$	3.3V	19		800	MHz
Output Rise, Fall Times	$t_r, t_f$	20% - 80% of output waveform		300	500	ps
Output Voltage Swing	$V_{pp}$	Q, QB	550	800	930	mV



**LAYOUT RECOMMENDATIONS**

The following guidelines are to assist you with a performance optimized PCB design:

**Signal Integrity and Termination Considerations**

- Keep traces short!
- Trace = Inductor. With a capacitive load this equals ringing!
- Long trace = Transmission Line. Without proper termination this will cause reflections (looks like ringing).
- Design long traces (<1 inch) as "striplines" or "microstrips" with defined impedance.
- Match trace at one side to avoid reflections bouncing back and forth.

**Decoupling and Power Supply Considerations**

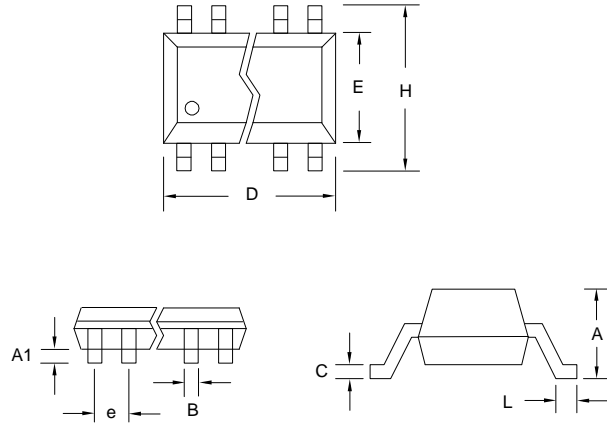
- Place decoupling capacitors as close as possible to the  $V_{DD}$  pin(s) to limit noise from the power supply
- Multiple  $V_{DD}$  pins should be decoupled separately for best performance.
- Addition of a ferrite bead in series with  $V_{DD}$  can help prevent noise from other board sources
- Value of decoupling capacitor is frequency dependant. Typical values to use are  $0.1\mu F$  for designs using frequencies < 50MHz and  $0.01\mu F$  for designs using frequencies > 50MHz.

**19MHz to 800MHz Low Phase-Noise VCXO**

**PACKAGE DRAWINGS (GREEN PACKAGE COMPLIANT)**

**TSSOP-16L**

Symbol	Dimension in MM	
	Min.	Max.
A	-	1.20
A1	0.05	0.15
b	0.19	0.30
C	0.09	0.20
D	4.90	5.10
E	4.30	4.50
H	6.20	6.60
L	0.45	0.75
e	0.65 BSC	



**ORDERING INFORMATION**

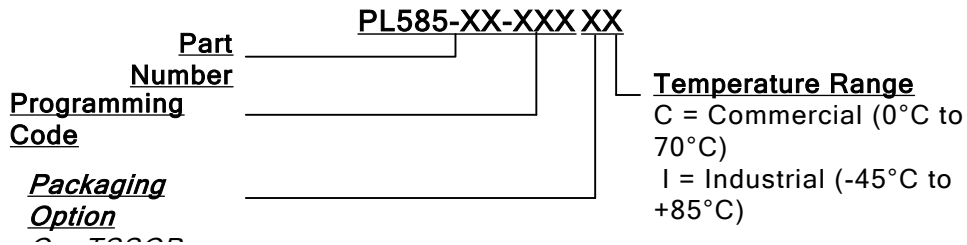
**For part ordering, please contact our Sales Department:**

2180 Fortune Drive, San Jose, CA 95131, USA

Tel: (408) 944-0800 Fax: (408) 474-1000

**PART NUMBER**

The order number for this device is a combination of the following:  
Part number, Package type, Thickness and Operating temperature range



Part Number/Order Number	Marking†	Package Option
PL585-XX-XXXOC	P585-XX XXX(I)	16-Pin TSSOP (Tube)
PL585-XX-XXOC-R	LLLLL	16-Pin TSSOP (Tape and Reel)

† **Marking Notes:**

1) The "I" after the 3 digit programming code will be marked for Industrial Temperature grade products only. Commercial grade products will not have a character in this position.

Micrel Inc., reserves the right to make changes in its products or specifications, or both at any time without notice. The information furnished by Micrel is believed to be accurate and reliable. However, Micrel makes no guarantee or warranty concerning the accuracy of said information and shall not be responsible for any loss or damage of whatever nature resulting from the use of, or reliance upon this product.

**LIFE SUPPORT POLICY:** Micrel's products are not authorized for use as critical components in life support devices or systems without the express written approval of the President of Micrel Inc.