

## 阅读申明

- 1.本站收集的数据手册和产品资料都来自互联网，版权归原作者所有。如读者和版权方有任何异议请及时告之，我们将妥善解决。
- 2.本站提供的中文数据手册是英文数据手册的中文翻译，其目的是协助用户阅读，该译文无法自动跟随原稿更新，同时也可能存在翻译上的不当。建议读者以英文原稿为参考以便获得更精准的信息。
- 3.本站提供的产品资料，来自厂商的技术支持或者使用者的心得体会等，其内容可能存在描述上的差异，建议读者做出适当判断。
- 4.如需与我们联系，请发邮件到marketing@iczoom.com，主题请标有“数据手册”字样。

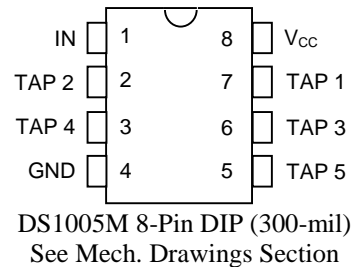
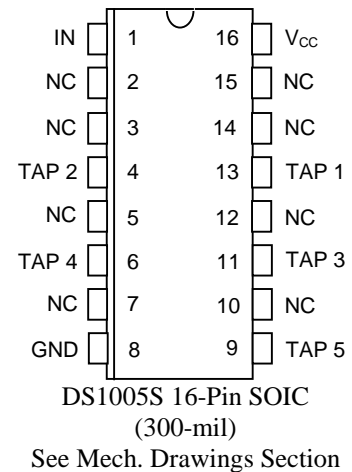
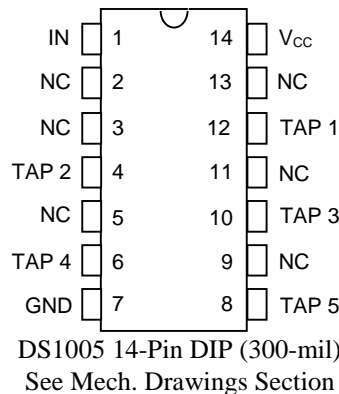
## Read Statement

1. The datasheets and other product information on the site are all from network reference or other public materials, and the copyright belongs to the original author and original published source. If readers and copyright owners have any objections, please contact us and we will deal with it in a timely manner.
2. The Chinese datasheets provided on the website is a Chinese translation of the English datasheets. Its purpose is for reader's learning exchange only and do not involve commercial purposes. The translation cannot be automatically updated with the original manuscript, and there may also be improper translations. Readers are advised to use the English manuscript as a reference for more accurate information.
3. All product information provided on the website refer to solutions from manufacturers' technical support or users the contents may have differences in description, and readers are advised to take the original article as the standard.
4. If you have any questions, please contact us at marketing@iczoom.com and mark the subject with "Datasheets" .

### FEATURES

- All-silicon time delay
- 5 taps equally spaced
- Delay tolerance  $\pm 2$  ns or  $\pm 3\%$ , whichever is greater
- Stable and precise over temperature and voltage range
- Leading and trailing edge accuracy
- Economical
- Auto-insertable, low profile
- Standard 14-pin DIP, 8-pin DIP, or 16-pin SOIC
- Tape and reel available for surface-mount
- Low-power CMOS
- TTL/CMOS compatible
- Vapor phase, IR and wave solderability
- Custom delays available
- Quick turn prototypes
- Extended temperature range available

### PIN ASSIGNMENT

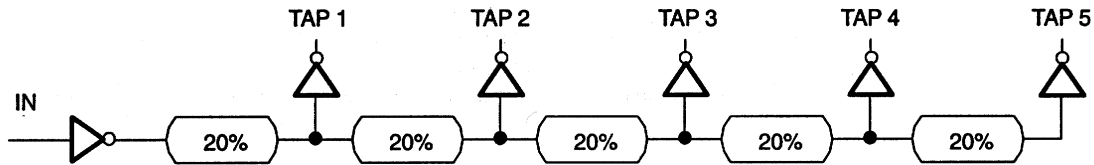


### PIN DESCRIPTION

- TAP 1-TAP 5 - TAP Output Number  
 V<sub>CC</sub> - +5 Volts  
 GND - Ground  
 NC - No Connection  
 IN - Input

### DESCRIPTION

The DS1005 5-Tap Silicon Delay Line provides five equally spaced taps with delays ranging from 12 ns to 250 ns, with an accuracy of  $\pm 2$  ns or  $\pm 3\%$ , whichever is greater. This device is offered in a standard 14-pin DIP, making it compatible with existing delay line products. Space-saving 8-pin DIPs and 16-pin SOICs are also available. Both enhanced performance and superior reliability over hybrid technology is achieved by the combination of a 100% silicon delay line and industry standard DIP and SOIC packaging. In order to maintain complete pin compatibility, DIP packages are available with hybrid lead configurations. The DS1005 reproduces the input logic level at each tap after the fixed delay specified by the dash number in Table 1. The device is designed with both leading and trailing edge accuracy. Each tap is capable of driving up to ten 74LS loads. Dallas Semiconductor can customize standard products to meet special needs. For special requests and rapid delivery, call (972) 371-4348.

**LOGIC DIAGRAM Figure 1****PART NUMBER DELAY TABLE ( $t_{PHL}$ ,  $t_{PLH}$ ) Table 1**

| PART NO.   | TAP 1 | TAP 2  | TAP 3  | TAP 4  | TAP 5  |
|------------|-------|--------|--------|--------|--------|
| DS1005-60  | 12 ns | 24 ns  | 36 ns  | 48 ns  | 60 ns  |
| DS1005-75  | 15 ns | 30 ns  | 45 ns  | 60 ns  | 75 ns  |
| DS1005-100 | 20 ns | 40 ns  | 60 ns  | 80 ns  | 100 ns |
| DS1005-125 | 25 ns | 50 ns  | 75 ns  | 100 ns | 125 ns |
| DS1005-150 | 30 ns | 60 ns  | 90 ns  | 120 ns | 150 ns |
| DS1005-175 | 35 ns | 70 ns  | 105 ns | 140 ns | 175 ns |
| DS1005-200 | 40 ns | 80 ns  | 120 ns | 160 ns | 200 ns |
| DS1005-250 | 50 ns | 100 ns | 150 ns | 200 ns | 250 ns |

Custom delays available

**ABSOLUTE MAXIMUM RATINGS\***

|                                       |                      |
|---------------------------------------|----------------------|
| Voltage on Any Pin Relative to Ground | -1.0V to +7.0V       |
| Operating Temperature                 | 0°C to 70°C          |
| Storage Temperature                   | -55°C to +125°C      |
| Soldering Temperature                 | 260°C for 10 seconds |
| Short Circuit Output Current          | 50 mA for 1 second   |

\* This is a stress rating only and functional operation of the device at these or any other conditions above those indicated in the operation sections of this specification is not implied. Exposure to absolute maximum rating conditions for extended periods of time may affect reliability.

**DC ELECTRICAL CHARACTERISTICS** (0°C to 70°C;  $V_{CC} = 5.0V \pm 5\%$ )

| PARAMETER                 | SYM      | TEST CONDITION                       | MIN  | TYP  | MAX            | UNITS   | NOTES |
|---------------------------|----------|--------------------------------------|------|------|----------------|---------|-------|
| Supply Voltage            | $V_{CC}$ |                                      | 4.75 | 5.00 | 5.25           | V       | 1     |
| High Level Input Voltage  | $V_{IH}$ |                                      | 2.2  |      | $V_{CC} + 0.5$ | V       | 1     |
| Low Level Input Voltage   | $V_{IL}$ |                                      | -0.5 |      | 0.8            | V       | 1     |
| Input Leakage Current     | $I_I$    | $0.0V \leq V_I \leq V_{CC}$          | -1.0 |      | 1.0            | $\mu A$ |       |
| Active Current            | $I_{CC}$ | $V_{CC}=\text{Max};$<br>Period=Min.  |      | 40   | 70             | mA      | 2     |
| High Level Output Current | $I_{OH}$ | $V_{CC}=\text{Min.}$<br>$V_{OH}=4$   |      |      | -1.0           | mA      |       |
| Low Level Output Current  | $I_{OL}$ | $V_{CC}=\text{Min.}$<br>$V_{OL}=0.5$ | 12   |      |                | mA      |       |

**AC ELECTRICAL CHARACTERISTICS** ( $T_A = 25^\circ C$ ;  $V_{CC} = 5V \pm 5\%$ )

| PARAMETER                          | SYMBOL    | MIN                    | TYP     | MAX | UNITS | NOTES      |
|------------------------------------|-----------|------------------------|---------|-----|-------|------------|
| Input Pulse Width                  | $t_{WI}$  | 40% of Tap 5 $t_{PLH}$ |         |     | ns    | 7          |
| Input to Tap Delay (leading edge)  | $t_{PLH}$ |                        | Table 1 |     | ns    | 3, 4, 5, 6 |
| Input to Tap Delay (trailing edge) | $t_{PHL}$ |                        | Table 1 |     | ns    | 3, 4, 5, 6 |
| Power-up Time                      | $t_{PU}$  |                        |         | 100 | ms    |            |
|                                    | Period    | 4 ( $t_{WI}$ )         |         |     | ns    | 7          |

**CAPACITANCE** ( $T_A = 25^\circ C$ )

| PARAMETER         | SYMBOL   | MIN | TYP | MAX | UNITS | NOTES |
|-------------------|----------|-----|-----|-----|-------|-------|
| Input Capacitance | $C_{IN}$ |     | 5   | 10  | pF    |       |

**NOTES:**

1. All voltages are referenced to ground.
2. Measured with outputs open.
3.  $V_{CC} = 5V @ 25^{\circ}C$ . Delays accurate on both rising and falling edges within  $\pm 2$  ns or  $\pm 3\%$ , whichever is greater.
4. See Test Conditions.
5. The combination of temperature variations from  $25^{\circ}C$  to  $0^{\circ}C$  or  $25^{\circ}C$  to  $70^{\circ}C$  and voltage variations from  $5.0V$  to  $4.75V$  or  $5.0V$  to  $5.25V$  may produce an additional input-to-tap delay shift of  $\pm 1.5$  ns or  $\pm 4\%$ , whichever is greater.
6. All tap delays tend to vary unidirectionally with temperature or voltage. For example, if TAP 1 slows down, all other taps will also slow down; TAP 3 can never be faster than TAP 2.
7. Pulse width and duty cycle specifications may be exceeded; however, accuracy will be application-sensitive (decoupling, layout, etc.).

**TERMINOLOGY**

**Period:** The time elapsed between the leading edge of the first pulse and the leading edge of the following pulse.

**$t_{WI}$  (Pulse Width):** The elapsed time on the pulse between the 1.5V point on the leading edge and the 1.5V point on the trailing edge, or the 1.5V point on the trailing edge and the 1.5V point on the leading edge.

**$t_{RISE}$  (Input Rise Time):** The elapsed time between the 20% and the 80% point on the leading edge of the input pulse.

**$t_{FALL}$  (Input Fall Time):** The elapsed time between the 80% and the 20% point on the trailing edge of the input pulse.

**$t_{PLH}$  (Time Delay, Rising):** The elapsed time between the 1.5V point on the leading edge of the input pulse and the 1.5V point on the leading edge of any tap output pulse.

**$t_{PHL}$  (Time Delay, Falling):** The elapsed time between the 1.5V point on the trailing edge of the input pulse and the 1.5V point on the trailing edge of any tap output pulse.

## TEST SETUP DESCRIPTION

Figure 3 illustrates the hardware configuration used for measuring the timing parameters on the DS1005. The input waveform is produced by a precision pulse generator under software control. Time delays are measured by a time interval counter (20 ps resolution) connected between the input and each tap. Each tap is selected and connected to the counter by a VHF switch control unit. All measurements are fully automated, with each instrument controlled by a central computer over an IEEE 488 bus.

## TEST CONDITIONS

### INPUT:

|                             |                                                                             |
|-----------------------------|-----------------------------------------------------------------------------|
| Ambient Temperature         | $25^{\circ}\text{C} \pm 3^{\circ}\text{C}$                                  |
| Supply Voltage ( $V_{CC}$ ) | $5.0\text{V} \pm 0.1\text{V}$                                               |
| Input Pulse                 | High = $3.0\text{V} \pm 0.1\text{V}$<br>Low = $0.0\text{V} \pm 0.1\text{V}$ |

|                    |                 |
|--------------------|-----------------|
| Source Impedance   | 50 ohm maximum  |
| Rise and Fall Time | 3.0 ns maximum  |
| Pulse Width        | 500 ns          |
| Period             | 1 $\mu\text{s}$ |

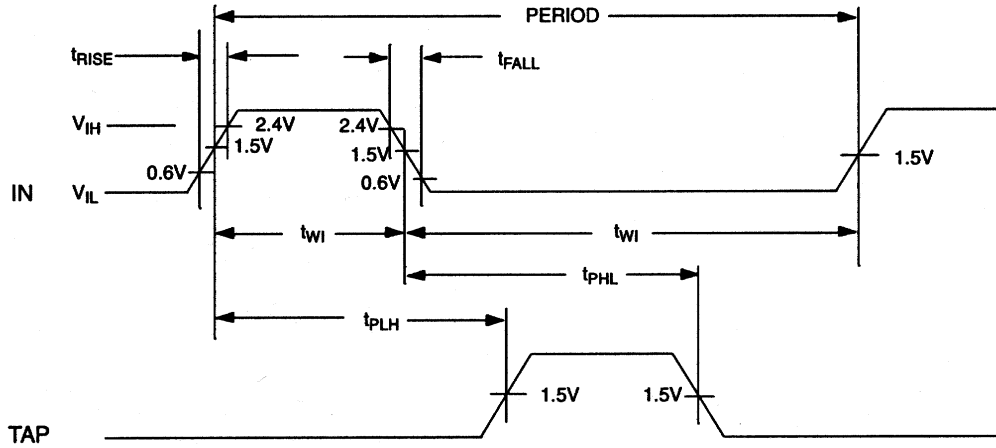
### OUTPUT:

Each output is loaded with the equivalent of a 74F04 input gate. Delay is measured at the 1.5V level on the rising and falling edge.

### NOTE:

Above conditions are for test only and do not restrict the operation of the device under other data sheet conditions.

**TIMING DIAGRAM: SILICON DELAY LINE Figure 2**



**DALLAS SEMICONDUCTOR TEST CIRCUIT Figure 3**

