

## 阅读申明

- 1.本站收集的数据手册和产品资料都来自互联网，版权归原作者所有。如读者和版权方有任何异议请及时告之，我们将妥善解决。
- 2.本站提供的中文数据手册是英文数据手册的中文翻译，其目的是协助用户阅读，该译文无法自动跟随原稿更新，同时也可能存在翻译上的不当。建议读者以英文原稿为参考以便获得更精准的信息。
- 3.本站提供的产品资料，来自厂商的技术支持或者使用者的心得体会等，其内容可能存在描述上的差异，建议读者做出适当判断。
- 4.如需与我们联系，请发邮件到marketing@iczoom.com，主题请标有“数据手册”字样。

## Read Statement

1. The datasheets and other product information on the site are all from network reference or other public materials, and the copyright belongs to the original author and original published source. If readers and copyright owners have any objections, please contact us and we will deal with it in a timely manner.
2. The Chinese datasheets provided on the website is a Chinese translation of the English datasheets. Its purpose is for reader's learning exchange only and do not involve commercial purposes. The translation cannot be automatically updated with the original manuscript, and there may also be improper translations. Readers are advised to use the English manuscript as a reference for more accurate information.
3. All product information provided on the website refer to solutions from manufacturers' technical support or users the contents may have differences in description, and readers are advised to take the original article as the standard.
4. If you have any questions, please contact us at marketing@iczoom.com and mark the subject with "Datasheets" .

**CMOS Serial Real-Time Clock With RAM and Power Sense/Control**

The CDP68HC68T1 Real-Time Clock provides a time/calendar function, a 32 byte static RAM, and a 3 wire Serial Peripheral Interface (SPI Bus). The primary function of the clock is to divide down a frequency input that can be supplied by the on-board oscillator in conjunction with an external crystal or by an external clock source. The internal oscillator can operate with a 32kHz, 1MHz, 2MHz, or 4MHz crystal. An external clock source with a 32kHz, 1MHz, 2MHz, 4MHz, 50Hz or 60Hz frequency can be used to drive the CDP68HC68T1. The time registers hold seconds, minutes, and hours, while the calendar registers hold day-of-week, date, month, and year information. The data is stored in BCD format. In addition, 12 or 24 hour operation can be selected. In 12 hour mode, an AM/PM indicator is provided. The T1 has a programmable output which can provide one of seven outputs for use elsewhere in the system.

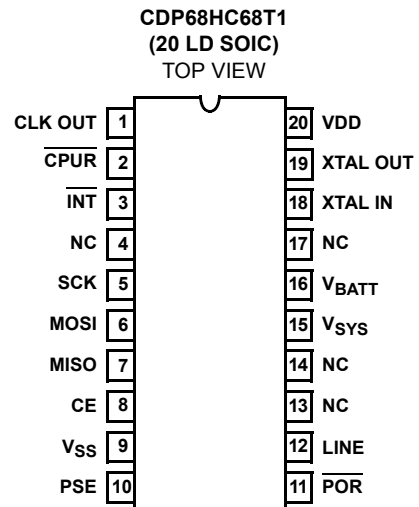
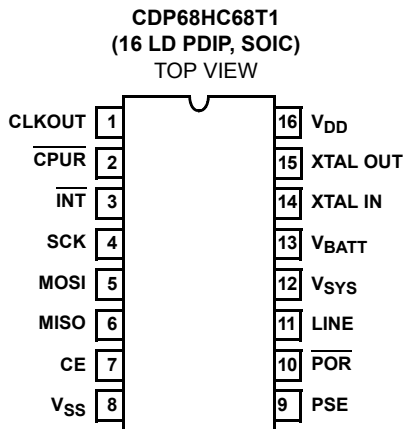
Computer handshaking is controlled with a “wired-OR” interrupt output. The interrupt can be programmed to provide a signal as the result of:

1. An alarm programmed to occur at a predetermined combination of seconds, minutes, and hours.
2. One of 15 periodic interrupts ranging from sub-second to once per day frequency.
3. A power fail detect. The PSE output and the V<sub>SS</sub> input are used for external power control. The CPUR output is available to reset the processor under power-down conditions. CPUR is enabled under software control and can also be activated via the CDP68HC68T1’s watchdog. If enabled, the watchdog requires a periodic toggle of the CE pin without a serial transfer.

**Features**

- SPI (Serial Peripheral Interface)
- Full Clock Features
  - Seconds, Minutes, Hours (12/24, AM/PM), Day of Week, Date, Month, Year (0 to 99), Automatic Leap Year
- 32 Wordx8-Bit RAM
- Seconds, Minutes, Hours Alarm
- Automatic Power Loss Detection
- Low Minimum Standby (Timekeeping) Voltage . . . . . 2.2V
- Selectable Crystal or 50/60Hz Line Input
- Buffered Clock Output
- Battery Input Pin that Powers Oscillator and also Connects to V<sub>DD</sub> Pin When Power Fails
- Three Independent Interrupt Modes
  - Alarm
  - Periodic
  - Power-Down Sense
- Pb-Free Available (RoHS Compliant)

**Pinouts**



## CDP68HC68T1

### Ordering Information

| PART NUMBER   | PART MARKING  | TEMP RANGE (°C) | PACKAGE                               | PKG DWG. # |
|---|---------------|-----------------|---------------------------------------|------------|
| CDP68HC68T1E<br><b>(No longer available, recommended replacement: CDP68HC68T1EZ)</b>    | CDP68HC68T1E  | -40 to +85      | 16 Ld PDIP                            | E16.3      |
| CDP68HC68T1EZ (Note)  | CDP68HC68T1EZ | -40 to +85      | 16 Ld PDIP**<br>(Pb-free)             | E16.3      |
| CDP68HC68T1M*<br><b>(No longer available, recommended replacement: CDP68HC68T1MZ)</b>   | 68HC68T1M     | -40 to +85      | 20 Ld SOIC<br>Tape and Reel           | M20.3      |
| CDP68HC68T1MZ* (Note)   | 68HC68T1MZ    | -40 to +85      | 20 Ld SOIC (Pb-free)<br>Tape and Reel | M20.3      |
| CDP68HC68T1M2*<br><b>(No longer available, recommended replacement: CDP68HC68T1M2Z)</b> | HC68T1M2      | -40 to +85      | 16 Ld SOIC<br>Tape and Reel           | M16.3      |
| CDP68HC68T1M2Z* (Note)  | HC68T1M2Z     | -40 to +85      | 16 Ld SOIC (Pb-free)<br>Tape and Reel | M16.3      |

\*Add "96" suffix for tape and reel. Please refer to TB347 for details on reel specifications.

\*\*Pb-free PDIPs can be used for through hole wave solder processing only. They are not intended for use in Reflow solder processing applications.  
NOTE: These Intersil Pb-free plastic packaged products employ special Pb-free material sets; molding compounds/die attach materials and 100% matte tin plate PLUS ANNEAL - e3 termination finish, which is RoHS compliant and compatible with both SnPb and Pb-free soldering operations. Intersil Pb-free products are MSL classified at Pb-free peak reflow temperatures that meet or exceed the Pb-free requirements of IPC/JEDEC J STD-020.

**Absolute Maximum Ratings**

|   |  |
|---|--|
| Supply Voltage (V <sub>DD</sub> )   | -0.5V to +7V                                   |
| Input Voltage (V <sub>IN</sub> )  | V <sub>SS</sub> -0.3V to V <sub>DD</sub> +0.3V |
| Current Drain Per Input Pin (Excluding V <sub>DD</sub> and V <sub>SS</sub> I) | 10mA   |
| Current Drain Per Output Pin I  | 40mA   |

**Operating Conditions**

|  |   |
|--|---|
| Voltage Range                              | +3.0V to +6.0V                              |
| Standby (Timekeeping) Voltage              | +2.2V to +6.0V                              |
| Temperature Range                          |   |
| CDP68HC68T1E (PDIP Package)                | -40°C to +85°C                              |
| CDP68HC68T1M/M2 (SOIC Packages)            | -40°C to +85°C                              |
| Input Voltage                              |   |
| Input High                                 | (0.7 x V <sub>DD</sub> ) to V <sub>DD</sub> |
| Input Low                                  | 0V to (0.3 x V <sub>DD</sub> )              |
| Serial Clock Frequency (f <sub>SCK</sub> ) | +3.0V to +6.0V                              |

**Thermal Information**

|   |                           |                        |
|---|---------------------------|------------------------|
| Thermal Resistance (Typical)                          | θ <sub>JA</sub> (°C/W)    | θ <sub>JC</sub> (°C/W) |
| 16 Ld PDIP* (Notes 1, 3)                              | 85                        | 35                     |
| 16 Ld SOIC (Notes 2, 3)                               | 65                        | 26                     |
| 20 Ld SOIC (Notes 2, 3)                               | 60                        | 26                     |
| Maximum Junction Temperature (Plastic)                | +150°C                    |                        |
| Maximum Storage Temperature Range (T <sub>STG</sub> ) | -65°C to +150°C           |                        |
| Pb-free Reflow Profile                                | see <a href="#">TB493</a> |                        |

\*Pb-free PDIPs can be used for through hole wave solder processing only. They are not intended for use in Reflow solder processing applications.

CAUTION: Do not operate at or near the maximum ratings listed for extended periods of time. Exposure to such conditions may adversely impact product reliability and result in failures not covered by warranty.

NOTES:

1. θ<sub>JA</sub> is measured with the component mounted on a low effective thermal conductivity test board in free air. See Tech Brief [TB379](#) for details.
2. θ<sub>JA</sub> is measured with the component mounted on a high effective thermal conductivity test board in free air. See Tech Brief [TB379](#) for details.
3. For θ<sub>JC</sub>, the "case temp" location is taken at the package top center.

**Static Electrical Specifications** At T<sub>A</sub> = -40°C to +85°C, V<sub>DD</sub> = V<sub>BATT</sub> = 5V ±5%, Unless Otherwise Specified.

| PARAMETER   | SYMBOL           | TEST CONDITIONS                                  | CDP68HC68T1 |              |       | UNITS |
|---|------------------|--|-------------|--------------|-------|-------|
|   |                  |  | MIN         | TYP (Note 4) | MAX   |       |
| Quiescent Device Current  | I <sub>DD</sub>  |  | -           | 1            | 10    | µA    |
| Output Voltage High Level   | V <sub>OH</sub>  | I <sub>OH</sub> = -1.6mA, V <sub>DD</sub> = 4.5V | 3.7         | -            | -     | V     |
| Output Voltage Low Level  | V <sub>OL</sub>  | I <sub>OL</sub> = 1.6mA, V <sub>DD</sub> = 4.5V  | -           | -            | 0.4   | V     |
| Output Voltage High Level   | V <sub>OH</sub>  | I <sub>OH</sub> ≤ 10µA, V <sub>DD</sub> = 4.5V   | 4.4         | -            | -     | V     |
| Output Voltage Low Level  | V <sub>OL</sub>  | I <sub>OL</sub> ≤ 10µA, V <sub>DD</sub> = 4.5V   | -           | -            | 0.1   | V     |
| Input Leakage Current   | I <sub>IN</sub>  |  | -           | -            | ±1    | µA    |
| Three-State Output Leakage Current  | I <sub>OUT</sub> |  | -           | -            | ±10   | µA    |
| Operating Current (Note 5)<br>(I <sub>D</sub> + I <sub>B</sub> ) V <sub>DD</sub> = V <sub>B</sub> = 5V<br>Crystal Operation |                  | 32kHz  | -           | 0.08         | -     | mA    |
|   |                  | 1MHz   | -           | 0.5          | -     | mA    |
|   |                  | 2MHz   | -           | 0.7          | -     | mA    |
|   |                  | 4MHz   | -           | 1            | -     | mA    |
| XTAL IN Clock (Squarewave) (Note 5)<br>(I <sub>D</sub> + I <sub>B</sub> ) V <sub>DD</sub> = V <sub>S</sub> = 5V             |                  | 32kHz  | -           | 0.02         | 0.024 | mA    |
|   |                  | 1MHz   | -           | 0.1          | 0.12  | mA    |
|   |                  | 2MHz   | -           | 0.2          | 0.24  | mA    |
|   |                  | 4MHz   | -           | 0.4          | 0.5   | mA    |
| Standby Current (Note 5)<br>V <sub>S</sub> = 3V<br>Crystal Operation  | I <sub>B</sub>   | 32kHz  | -           | 20           | -     | µA    |
|   |                  | 1MHz   | -           | 200          | -     | µA    |
|   |                  | 2MHz   | -           | 300          | -     | µA    |
|   |                  | 4MHz   | -           | 500          | -     | µA    |

# CDP68HC68T1

## Static Electrical Specifications At $T_A = -40^\circ\text{C}$ to $+85^\circ\text{C}$ , $V_{DD} = V_{BATT} = 5V \pm 5\%$ , Unless Otherwise Specified. (Continued)

| PARAMETER   | SYMBOL        | TEST CONDITIONS                          | CDP68HC68T1 |                 |       | UNITS |               |
|---|---------------|--|-------------|-----------------|-------|-------|---------------|
|   |               |  | MIN         | TYP<br>(Note 4) | MAX   |       |               |
| Operating Current (Note 5)<br>$V_{DD} = 5V$ , $V_B = 3V$<br>Crystal Operation         |               |  |             | $I_D$           | $I_B$ | -     | mA            |
|   |               | 32kHz                                    | -           | 0.025           | 0.015 | -     | mA            |
|   |               | 1MHz                                     | -           | 0.08            | 0.15  | -     | mA            |
|   |               | 2MHz                                     | -           | 0.15            | 0.25  | -     | mA            |
|   |               | 4MHz                                     | -           | 0.3             | 0.4   | -     | mA            |
| Standby Current (Note 5)<br>$V_B = 2.2V$<br>Crystal Operation                         | $I_B$         | 32kHz                                    | -           | 10              | -     | -     | $\mu\text{A}$ |
| Input Capacitance   | $C_{IN}$      | $V_{IN} = 0$ , $T_A = +25^\circ\text{C}$ | -           | -               | 2     | -     | pF            |
| Maximum Rise and Fall Times<br>(Except XTAL Input and $\overline{\text{POR}}$ Pin 10) | $t_r$ , $t_f$ |  | -           | -               | 2     | -     | $\mu\text{s}$ |
|   |               |  |             |                 | -     | -     | $\mu\text{s}$ |
| Input Voltage (Line Input Pin Only, Power Sense Mode)                                 |               |  | 0           | 10              | 12    | -     | V             |
| $V_{SYS} > V_{BVT}$<br>(For $V_B$ Not Internally Connected to $V_{DD}$ )              |               |  | -           | 1.0             | -     | -     | V             |
| Power-On Reset ( $\overline{\text{POR}}$ ) Pulse Width                                |               |  | 100         | 75              | -     | -     | ns            |

### NOTES:

4. Typical values are for  $T_A = +25^\circ\text{C}$  and nominal  $V_{DD}$ .
5. Clock out (Pin 1) disabled, outputs open circuited. No serial access cycles.

## Dynamic Electrical Specifications Bus Timing $V_{DD} \pm 10\%$ , $V_{SS} = 0V_{DC}$ , $T_A = -40^\circ\text{C}$ to $+85^\circ\text{C}$

| IDENTIFICATION NUMBER | PARAMETER                         | SYMBOL     | LIMITS (ALL TYPES) |     |               |     | UNITS |
|-----------------------|-----------------------------------|------------|--------------------|-----|---------------|-----|-------|
|                       |                                   |            | $V_{DD} = 3.3V$    |     | $V_{DD} = 5V$ |     |       |
|                       |                                   |            | MIN                | MAX | MIN           | MAX |       |
| 1                     | Chip Enable Setup Time            | $t_{EVCV}$ | 200                | -   | 100           | -   | ns    |
| 2                     | Chip Enable After Clock Hold Time | $t_{CVEX}$ | 250                | -   | 125           | -   | ns    |
| 3                     | Clock Width High                  | $t_{WH}$   | 400                | -   | 200           | -   | ns    |
| 4                     | Clock Width Low                   | $t_{WL}$   | 400                | -   | 200           | -   | ns    |
| 5                     | Data In to Clock Setup Time       | $t_{DVCV}$ | 200                | -   | 100           | -   | ns    |
| 7                     | Clock to Data Propagation Delay   | $t_{CVDV}$ | -                  | 200 | -             | 100 | ns    |
| 8                     | Chip Disable to Output High Z     | $t_{EXQZ}$ | -                  | 200 | -             | 100 | ns    |
| 11                    | Output Rise Time                  | $t_r$      | -                  | 200 | -             | 100 | ns    |
| 12                    | Output Fall Time                  | $t_f$      | -                  | 200 | -             | 100 | ns    |
| A                     | Data in After Clock Hold Time     | $t_{CVDX}$ | 200                | -   | 100           | -   | ns    |
| B                     | Clock to Data Out Active          | $t_{CVQX}$ | -                  | 200 | -             | 100 | ns    |
| C                     | Clock Recovery Time               | $t_{REC}$  | 200                | -   | 200           | -   | ns    |

# Functional Block Diagram

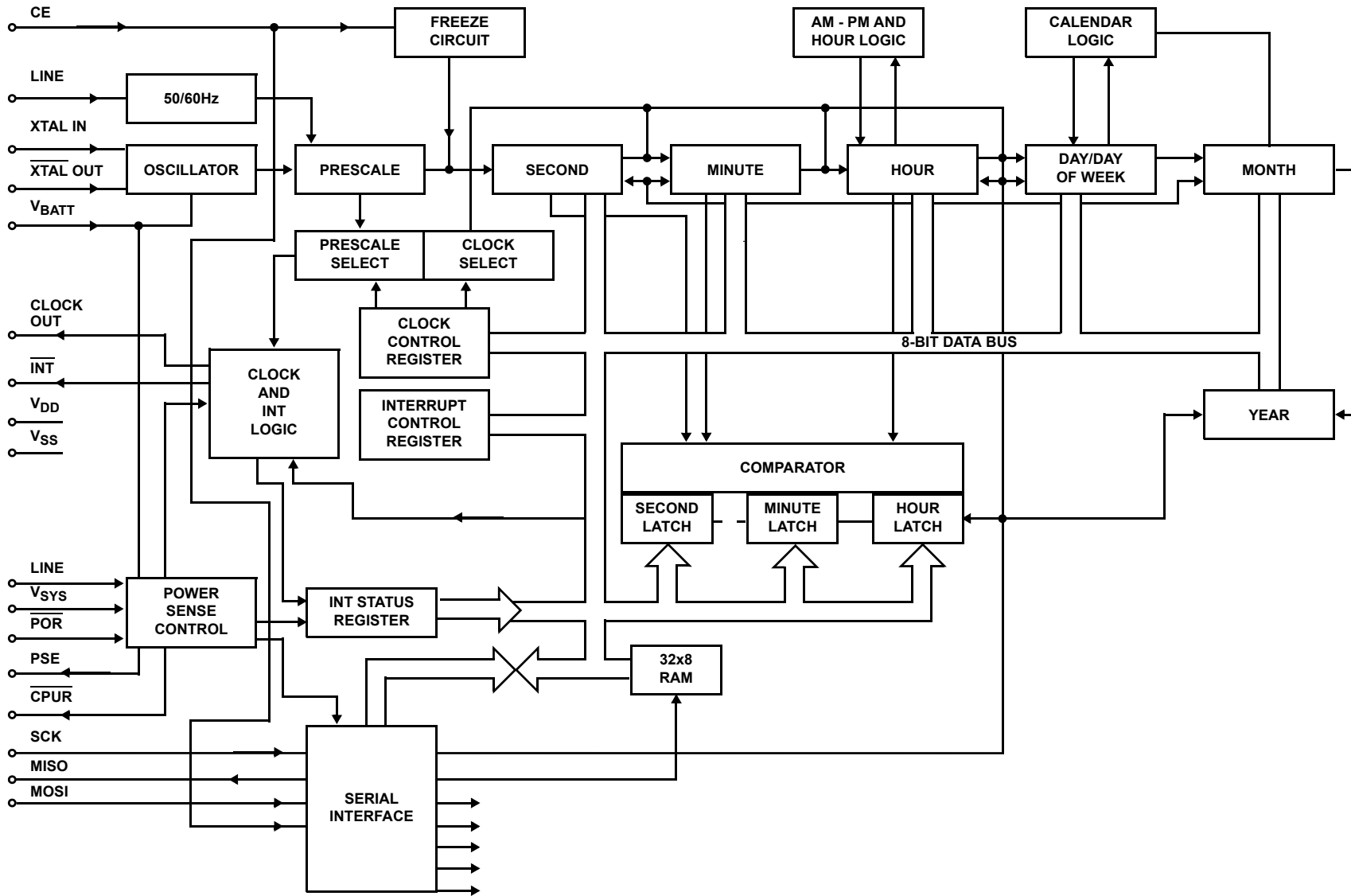
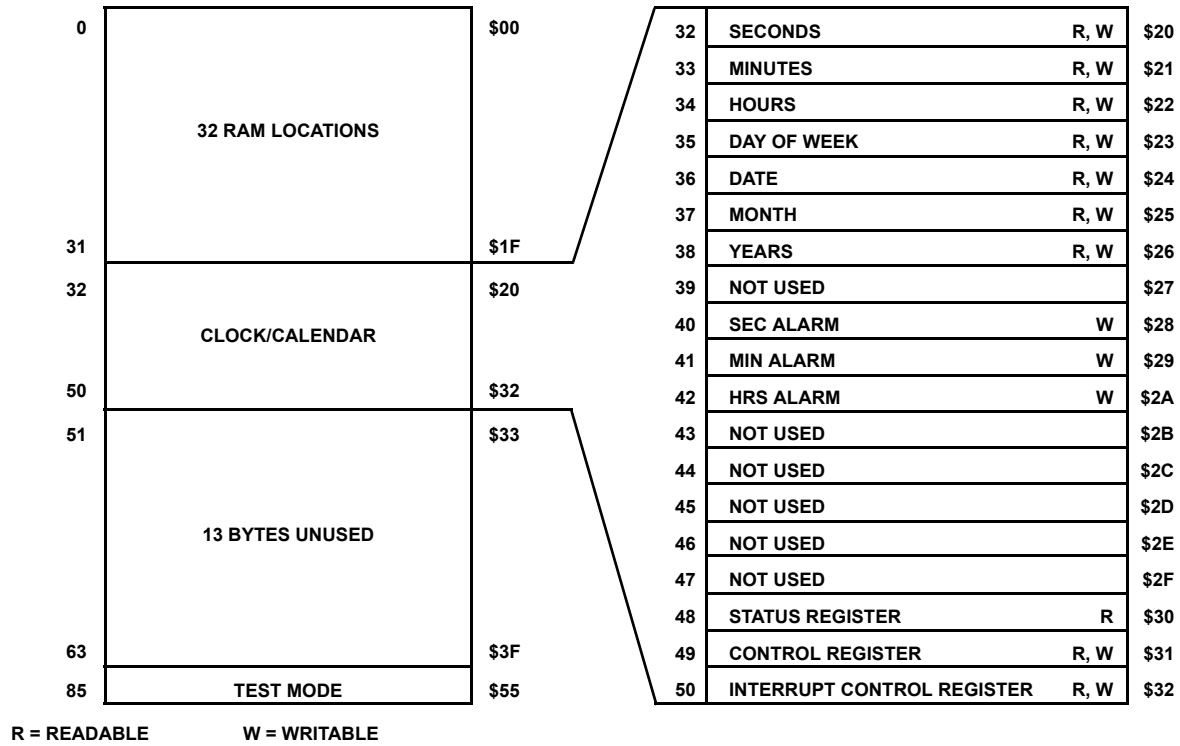


FIGURE 1. REAL TIME CLOCK FUNCTIONAL DIAGRAM

# CDP68HC68T1



**FIGURE 2. ADDRESS MAP**

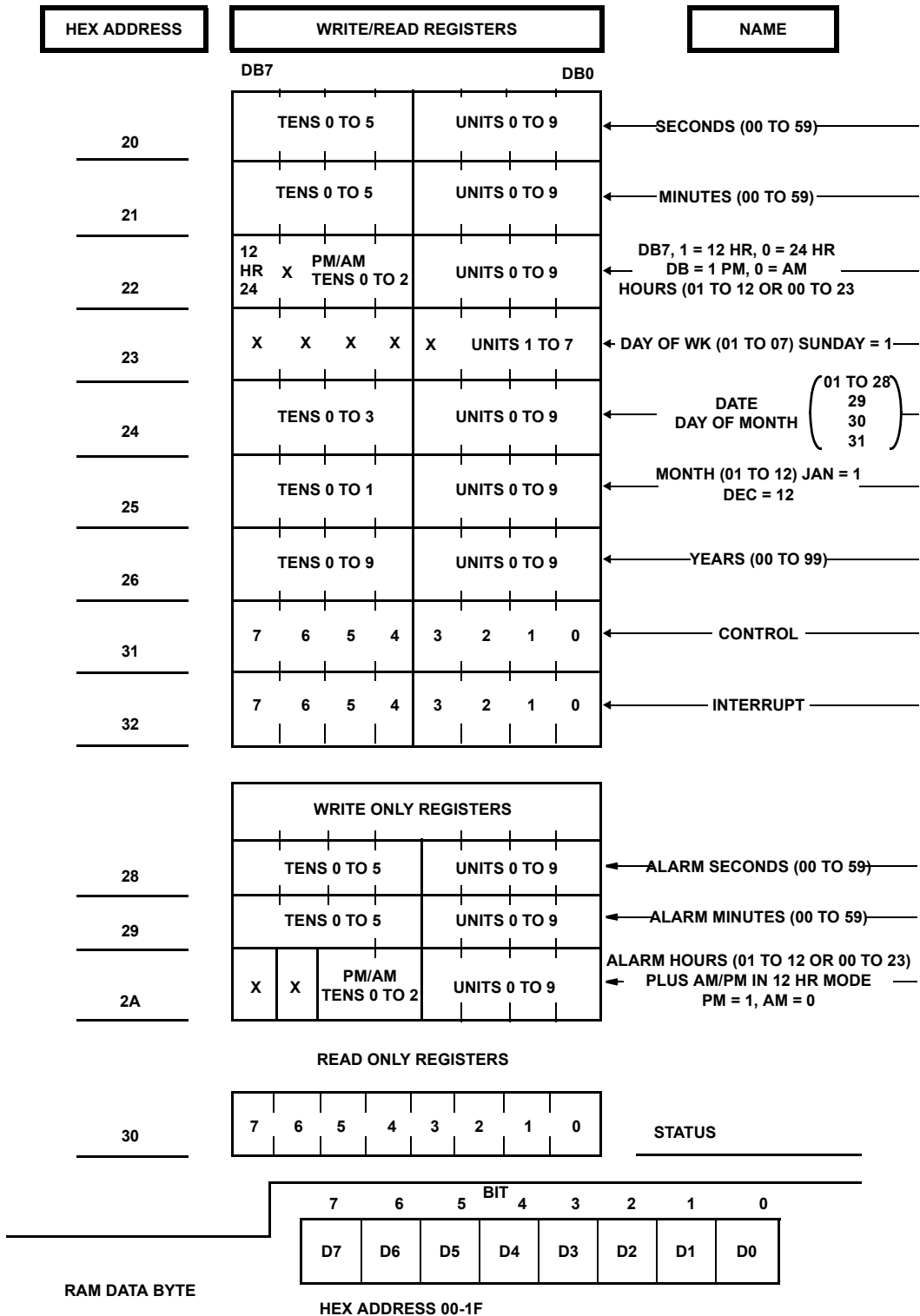
**TABLE 1. CLOCK/CALENDAR AND ALARM DATA MODES**

| ADDRESS LOCATION (H) | FUNCTION                             | DECIMAL RANGE | BCD DATA RANGE                 | BCD DATE EXAMPLE<br>(Note 6) |
|----------------------|--------------------------------------|---------------|--------------------------------|------------------------------|
| 20                   | Seconds                              | 0 to 59       | 00 to 59                       | 18                           |
| 21                   | Minutes                              | 0 to 59       | 00 to 59                       | 49                           |
| 22                   | Hours<br>12 Hour Mode<br>(Note 7)    | 1 to 12       | 81 to 92 (AM)<br>A1 to B2 (PM) | A3                           |
|                      | Hours<br>24 Hour Mode                | 0 to 23       | 00 to 23                       | 15                           |
| 23                   | Day of the Week<br>(Sunday = 1)      | 1 to 7        | 01 to 07                       | 03                           |
| 24                   | Day of the Month<br>(Date)           | 1 to 31       | 01 to 31                       | 29                           |
| 25                   | Month<br>Jan = 1, Dec = 12           | 1 to 12       | 01 to 12                       | 10                           |
| 26                   | Years                                | 0 to 99       | 00 to 99                       | 85                           |
| 28                   | Alarm Seconds                        | 0 to 59       | 00 to 59                       | 18                           |
| 29                   | Alarm Minutes                        | 0 to 59       | 00 to 59                       | 49                           |
| 2A                   | Alarm Hours (Note 8)<br>12 Hour Mode | 1 to 12       | 01 to 12 (AM)<br>21 to 32 (PM) | 23                           |
|                      | Alarm Hours<br>24 Hour Mode          | 0 to 23       | 00 to 23                       | 15                           |

**NOTES:**

6. Example: 3:49:18, Tuesday, Oct. 29, 1985.
7. Most significant Bit, D7, is "0" for 24 hours, and "1" for 12 hour mode. Data Bit D5 is "1" for PM and "0" for AM in 12 hour mode.
8. Alarm hours. Data Bit D5 is "1" for PM and "0" for AM in 12 hour mode. Data Bits D7 and D6 are DON'T CARE.

Programmers Model - Clock Registers



NOTE: X = Don't care writes, X = 0 when read.



## Functional Description

The SPI real-time clock consists of a clock/calendar and a 32x8 RAM. Communications is established via the SPI (Serial Peripheral Interface) bus. In addition to the clock/calendar data from seconds to years, and system flexibility provided by the 32-byte RAM, the clock features computer handshaking with an interrupt output and a separate squarewave clock output that can be one of seven different frequencies. An alarm circuit is available that compares the alarm latches with the seconds, minutes and hours time counters and activates the interrupt output when they are equal. The clock is specifically designed to aid in power-down/power-up applications and offers several pins to aid the designer of battery backup systems.

### Mode Select

The voltage level that is present at the  $V_{SYS}$  input pin at the end of power-on-reset selects the device to be in the single supply or battery backup mode.

### Single-Supply Mode

If  $V_{SYS}$  is a logic high when power-on-reset is completed, CLK OUT, PSE and  $\overline{CPUR}$  will be enabled and the device will be completely operational.  $\overline{CPUR}$  will be placed low if the logic level at the  $V_{SYS}$  pin goes low. If the output signals CLK OUT, PSE and  $\overline{CPUR}$  are disabled due to a power-down instruction,  $V_{SYS}$  brought to a logic low and then to a logic high will re-enable these outputs. An example of the single-supply mode is where only one supply is available and  $V_{DD}$ ,  $V_{BATT}$  and  $V_{SYS}$  are tied together to the supply.

### Battery Backup Mode

If  $V_{SYS}$  is a logic low at the end of power-on-reset, CLK OUT, PSE and  $\overline{CPUR}$  will be disabled (CLK OUT, PSE and  $\overline{CPUR}$  low). This condition will be held until  $V_{SYS}$  rises to a threshold (about 1.0V) above  $V_{BATT}$ . The outputs CLK OUT, PSE and  $\overline{CPUR}$  will then be enabled and the device will be operational. If  $V_{SYS}$  falls below a threshold above  $V_{BATT}$  the outputs CLK OUT, PSE and  $\overline{CPUR}$  will be disabled. An example of battery backup operation occurs if  $V_{SYS}$  is tied to  $V_{DD}$  and  $V_{DD}$  is not connected to a supply when a battery is connected to the  $V_{BATT}$  pin. (See "Functional Description",  $V_{BATT}$  for Battery Backup Operation on page 11.)

### Clock/Calendar (See Figures 1 and 2)

The clock/calendar portion of this device consists of a long string of counters that is toggled by a 1Hz input. The 1Hz input is generated by a prescaler driven by an on-board oscillator that utilizes one of four possible external crystals or that can be driven by an external clock source. The 1Hz trigger to the counters can also be supplied by a 50Hz or 60Hz input source that is connected to the LINE input pin.

The time counters offer seconds, minutes and hours data in 12 hour or 24 hour format. An AM/PM indicator is available that once set, toggles every 12 hours. The calendar counters consist of day (day of week), date (day of month), month and

years information. Data in the counters is in BCD format. The hours counter utilizes BCD for hour data plus bits for 12/24 hour and AM/PM. The seven time counters are accessed serially at addresses 20H through 26H. See Table 1.

### RAM

The real-time clock also has a static 32x8 RAM that is located at addresses 00-1FH. Transmitting the address/control word with Bit 5 low selects RAM access. Bits 0 through 4 select the RAM location.

### Alarm

The alarm is set by accessing the three alarm latches and loading the required data. The alarm latches consist of seconds, minutes and hours registers. When their outputs equal the values in the seconds, minutes and hours time counters, an interrupt is generated. The interrupt output will go low if the alarm bit in the Interrupt Control Register is set high. The alarm interrupt bit in the Status Register is set when the interrupt occurs (see "Functional Description", INT Pin on page 10). To preclude a false interrupt when loading the time counters, the alarm interrupt bit should be set low in the Interrupt Control Register. This procedure is not required when the alarm time is set.

### Watchdog Function (See Figure 6)

When Bit 7 in the Interrupt Control Register is set high, the Clock's CE (chip enable) pin must be toggled at a regular interval without a serial data transfer. If the CE is not toggled, the clock will supply a CPU reset pulse and Bit 6 in the Status Register will be set. Typical service and reset times are listed in Table 2.

TABLE 2.

|              | 50Hz |      | 60Hz |        | XTAL |        |
|--------------|------|------|------|--------|------|--------|
|              | MIN  | MAX  | MIN  | MAX    | MIN  | MAX    |
| Service Time | -    | 10ms | -    | 8.3ms  | -    | 7.8ms  |
| Reset Time   | 20   | 40ms | 16.7 | 33.3ms | 15.6 | 31.3ms |

### Clock Out

The value in the three least significant bits of the Clock Control Register selects one of seven possible output frequencies. (See "Clock Control Register" on page 11). This squarewave signal is available at the CLK OUT pin. When power-down operation is initiated, the output is set low.

### Control Registers and Status Registers

The operation of the Real-Time Clock is controlled by the Clock Control and Interrupt Control Registers. Both registers are Read-Write Registers. Another register, the Status Register, is available to indicate the operating conditions. The Status Register is a Read only Register.

### Power Control

Power control is composed of two operations, Power Sense and Power-Down/Power-Up. Two pins are involved in power sensing, the LINE input pin and the INT output pin. Two additional pins are utilized during power-down/power-up operation. They are the PSE (Power Supply Enable) output pin and  $V_{SYS}$  input pin.

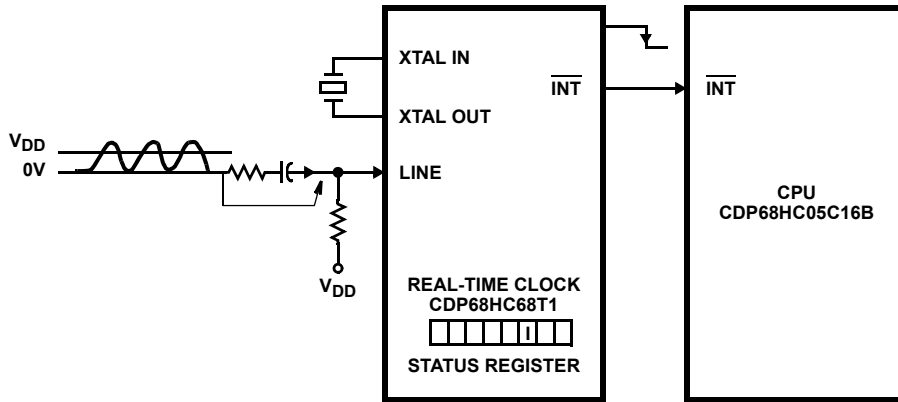


FIGURE 3. POWER-SENSING FUNCTIONAL DIAGRAM

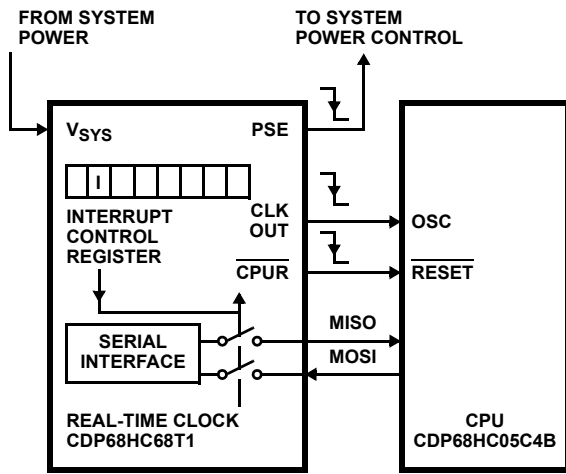


FIGURE 4. POWER-DOWN FUNCTIONAL DIAGRAM

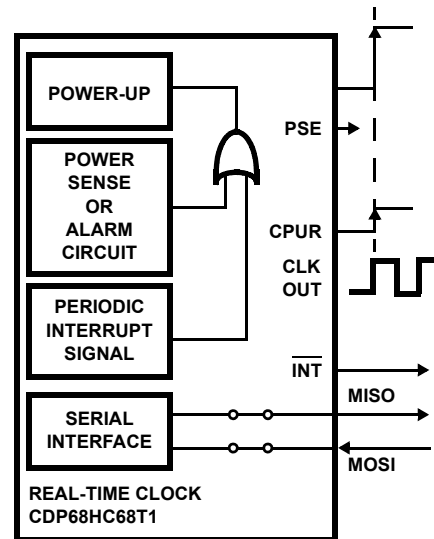


FIGURE 5. POWER-UP FUNCTIONAL DIAGRAM (INITIATED BY INTERRUPT SIGNAL)

**Power Sensing** (See Figure 3)

When Power Sensing is enabled (Bit 5 = 1 in Interrupt Control Register), AC transitions are sensed at the LINE input pin. Threshold detectors determine when transitions cease. After a delay of 2.68ms to 4.64ms, plus the external input circuit RC time constant, an interrupt is generated and a bit is set in the Status Register. This bit can then be sampled to see if system power has turned back on. See "Functional Description", Line pin on page 10. The power-sense circuitry operates by sensing the level of the voltage presented at the line input pin. This voltage is centered around  $V_{DD}$  and as long as it is either plus or minus a threshold (about 1V) from  $V_{DD}$  a power-sense failure will not be indicated. With an AC signal present, remaining in this  $V_{DD}$  window longer than a minimum of 2.68ms will activate the power-sense circuit. The larger the amplitude of the AC signal, the less time it spends in the  $V_{DD}$  window, and the less likely a power failure will be detected. A 60Hz, 10V<sub>P-P</sub> sinewave voltage is an applicable

signal to present at the LINE input pin to setup the power sense function.

**Power-Down** (See Figure 4)

Power-down is a processor-directed operation. A bit is set in the Interrupt Control Register to initiate operation. Three pins are affected. The PSE (Power Supply Enable) output, normally high, is placed low. The CLK OUT is placed low. The CPUR output, connected to the processors reset input is also placed low. In addition, the Serial Interface is disabled.

**Power-Up** (See Figures 5 and 6)

Two conditions will terminate the Power-Down mode.

1. The first condition (see Figure 5) requires an interrupt. The interrupt can be generated by the alarm circuit, the programmable periodic interrupt signal, or the power sense circuit.

- The second condition that releases Power-Down occurs when the level on the  $V_{SYS}$  pin rises about 1.0V above the level at the  $V_{BATT}$  input, after previously falling to the level of  $V_{BATT}$  (see Figure 6) in the Battery Backup Mode or  $V_{SYS}$  falls to logic low and returns high in the Single Supply Mode.

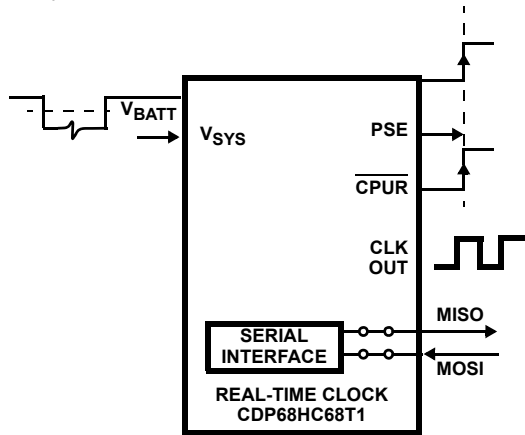


FIGURE 6. POWER-UP FUNCTIONAL DIAGRAM (INITIATED BY A RISE IN VOLTAGE ON THE “ $V_{SYS}$ ” PIN)

**CLK OUT**

Clock output pin. One of seven frequencies can be selected (or this output can be set low) by the levels of the three LSB’s in the Clock-Control Register. If a frequency is selected, it will toggle with a 50% duty cycle except 2Hz in the 50Hz time base mode. (e.g. if 1Hz is selected, the output will be high for 500ms and low for the same period). During power-down operation (Bit 6 in Interrupt Control Register is set to “1”), the clock-output pin will be set low.

**CPU\_R**

CPU reset output pin. This pin functions as an N-Channel only, open-drain output and requires an external pull-up resistor.

**INT**

Interrupt output pin. This output is driven from a single NFET pulldown transistor and must be tied to an external pull-up resistor. The output is activated to a low level when:

- Power-sense operation is selected (B5 = 1 in Interrupt Control Register) and a power failure occurs.
- A previously set alarm time occurs. The alarm bit in the Status Register and interrupt-out signal are delayed 30.5µs when 32kHz operation is selected and 15.3µs for 2MHz and 7.6µs for 4MHz.
- A previously selected periodic interrupt signal activates.

The Status Register must be read to set the Interrupt output high after the selected periodic interval occurs. This is also true when conditions 1 and 2 activate the interrupt. If power-down had been previously selected, the interrupt will also reset the power-down functions.

**SCK, MOSI, MISO**

See “Serial Peripheral Interface (SPI)” on page 8.

**CE**

A positive chip-enable input. A low level at this input holds the serial interface logic in a reset state. This pin is also used for the watchdog function.

**VSS**

The negative power-supply pin that is connected to ground.

**PSE**

Power-supply enable output pin. This pin is used to control power to the system. The pin is set high when:

- $V_{SYS}$  rises above the  $V_{BATT}$  voltage after  $V_{SYS}$  was placed low by a system failure.
- An interrupt occurs.
- A power-on reset (if  $V_{SYS}$  is a logic high).

The PSE pin is set low by writing a high into bit 6 (power-down bit) in the Interrupt Control Register.

**POR**

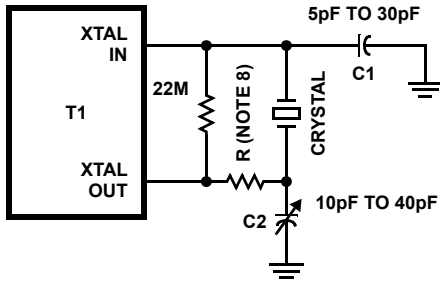
Power-on reset. A Schmitt-trigger input that generates a power-on internal reset signal using an external RC network. Both control registers and frequency dividers for the oscillator and line input are reset. The Status Register is reset except for the first time up bit (B4), which is set. Single supply or battery backup operation is selected at the end of POR.

**LINE**

This input is used for two functions. When not used it should be connected to  $V_{DD}$  via a 10kΩ resistor. The first function utilizes the input signal as the frequency source for the timekeeping counters. This function is selected by setting Bit 6 in the Clock Control Register. The second function enables the line input to sense a power failure. Threshold detectors operating above and below  $V_{DD}$  sense an AC voltage loss. Bit 5 must be set to “1” in the Interrupt Control Register and crystal or external clock source operation is required. Bit 6 in the Clock Control Register must be low to select XTAL operation.

**Oscillator Circuit**

The CDP68HC68T1 has an on-board 150kΩ resistor that is switched in series with its internal inverter when 32kHz is selected via the Clock Control Register. Note: When first powered up the series resistor is not part of the oscillator circuit. (The CDP68HC68T1 sets up for a 4MHz oscillator).



NOTES:

- 9. All frequencies recommended oscillator circuit. C<sub>1</sub>, C<sub>2</sub> values crystal dependent.
- 10. R is used for 32KHz operation only. 100k to 300k range as specified by crystal manufacturer.

FIGURE 7. OSCILLATOR CIRCUIT

**V<sub>sys</sub>**

This input is connected to the system voltage. After the CPU initiates power down by setting Bit 6 in the Interrupt Control Register to “1”, the level on this pin will terminate power down if it rises about 1.0V above the level at the V<sub>BATT</sub> input pin after previously falling below V<sub>BATT</sub> +1.0V. When power-down is terminated, the PSE pin will return high and the Clock Output will be enabled. The CPU<sub>R</sub> output pin will also return high. The logic level present at this pin at the end of POR determines the CDP68HC68T1’s operating mode.

**V<sub>BATT</sub>**

The oscillator power source. The positive terminal of the battery should be connected to this pin. When the level on the V<sub>sys</sub> pin falls below V<sub>BATT</sub> +1.0V, the V<sub>BATT</sub> pin will be internally connected to the V<sub>DD</sub> pin. When the voltage on V<sub>sys</sub> rises a threshold above (1.0V) the voltage on V<sub>BATT</sub>, the connection from V<sub>BATT</sub> to the V<sub>DD</sub> pin is opened. When the “LINE” input is used as the frequency source, V<sub>BATT</sub> may be tied to V<sub>DD</sub> or V<sub>SS</sub>. The “XTAL IN” pin must be at V<sub>SS</sub> if V<sub>BATT</sub> is at V<sub>SS</sub>. If V<sub>BATT</sub> is connected to V<sub>DD</sub>, the “XTAL IN” pin can be tied to V<sub>SS</sub> or V<sub>DD</sub>.

**XTAL IN, XTAL OUT**

These pins are connected to a 32,768Hz, 1.048576MHz, 2.097152MHz or 4.194304MHz crystal. If an external clock is used, it should be connected to “XTAL IN” with ‘XTAL OUT’ left open.

**V<sub>DD</sub>**

The positive power-supply pin.

**Clock Control Register**

**Start-Stop**

A high written into this bit will enable the counter stages of the clock circuitry. A low will hold all bits reset in the divider chain from 32Hz to 1Hz. A clock out selected by Bit 0, Bit 1 and Bit 2 will not be affected by the stop function except the 1Hz and 2Hz outputs.

**Line-XTAL**

When this bit is set high, clock operation will use the 50-cycle or 60-cycle input present at the LINE input pin. When the bit is low, the crystal input will generate the 1Hz time update.

**XTAL Select**

One of 4 possible crystals is selected by value in these two bits:

- 0 = 4.194304MHz      2 = 1.048576MHz
- 1 = 2.097152MHz    3 = 32,768Hz

**50Hz to 60Hz**

50Hz is selected as the line input frequency when this bit is set high. A low will select 60Hz. The power-sense bit in the Interrupt Control Register must be set low for line frequency operation.

**Clock Out**

The three bits specify one of the 7 frequencies to be used as the squarewave clock output:

- 0 = XTAL                      4 = Disable (low output)
- 1 = XTAL/2                  5 = 1Hz
- 2 = XTAL/4                  6 = 2Hz
- 3 = XTAL/8                  7 = 50Hz or 60Hz
- XTAL Operation = 64Hz

All bits are reset by a power-on reset. Therefore, the XTAL is selected as the clock output at this time.

**Interrupt Control Register**

**Watchdog**

When this bit is set high, the watchdog operation will be enabled. This function requires the CPU to toggle the CE pin periodically without a serial-transfer requirement. In the event this does not occur, a CPU reset will be issued. Status Register must be read before re-enabling watchdog.

**Power-Down**

A high in this location will initiate a power down. A CPU reset will occur, the CLK OUT and PSE output pins will be set low and the serial interface will be disabled.

**Power Sense**

This bit is used to enable the line input pin to sense a power failure. It is set high for this function. When power sense is selected, the input to the 50Hz to 60Hz prescaler is disconnected. Therefore, crystal operation is required when power sense is enabled. An interrupt is generated when a power failure is sensed and the power sense and Interrupt True bit in the Status Register are set. When power sense is activated, a “0” must be written to this location followed by a “1” to re-enable power sense.

**Alarm**

The output of the alarm comparator is enabled when this bit is set high. When a comparison occurs between the seconds, minutes and hours time and alarm counters, the interrupt output is activated. When loading the time counters, this bit should be set low to avoid a false interrupt. This is not required when loading the alarm counters. See "Functional Description", INT for explanation of alarm delay on page 10.

**Periodic Select**

The value in these 4 bits will select the frequency of the periodic output. (See Table 3).

**CLOCK CONTROL REGISTER (Write/Read) - Address 31H**

| D7    | D6   | D5   | D4   | D3   | D2      | D1      | D0      |
|-------|------|------|------|------|---------|---------|---------|
| START | LINE | XTAL | XTAL | 50Hz | CLK OUT | CLK OUT | CLK OUT |
|       |      | SEL  | SEL  |      |         |         |         |
| STOP  | XTAL | 1    | 0    | 60Hz | 2       | 1       | 0       |

**INTERRUPT CONTROL REGISTER (Write/Read) - Address 32H**

| D7       | D6         | D5          | D4    | D3              | D2 | D1 | D0 |
|----------|------------|-------------|-------|-----------------|----|----|----|
| WATCHDOG | POWER DOWN | POWER SENSE | ALARM | PERIODIC SELECT |    |    |    |

NOTE: All bits are reset by power-on reset.



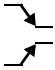
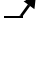
**TABLE 3. PERIODIC INTERRUPT OUTPUT**

| D0 - D3 VALUE | PERIODIC INTERRUPT OUTPUT FREQUENCY | FREQUENCY TIME BASE |      |
|---------------|-------------------------------------|---------------------|------|
|               |                                     | XTAL                | LINE |
| 0             | Disable                             |                     |      |
| 1             | 2048Hz                              | X                   |      |
| 2             | 1024Hz                              | X                   |      |
| 3             | 512Hz                               | X                   |      |
| 4             | 256Hz                               | X                   |      |
| 5             | 128Hz                               | X                   |      |
| 6             | 64Hz                                | X                   |      |
|               | 50Hz or 60Hz                        |                     | X    |
| 7             | 32Hz                                | X                   |      |
| 8             | 16Hz                                | X                   |      |
| 9             | 8Hz                                 | X                   |      |
| 10            | 4Hz                                 | X                   |      |
| 11            | 2Hz                                 | X                   | X    |
| 12            | 1Hz                                 | X                   | X    |
| 13            | Minute                              | X                   | X    |
| 14            | Hour                                | X                   | X    |
| 15            | Day                                 | X                   | X    |

**STATUS REGISTER (Read Only) - Address 30H**

| D7 | D6       | D5        | D4            | D3             | D2                    | D1              | D0              |
|----|----------|-----------|---------------|----------------|-----------------------|-----------------|-----------------|
| 0  | WATCHDOG | TEST MODE | FIRST TIME UP | INTERRUPT TRUE | POWER SENSE INTERRUPT | ALARM INTERRUPT | CLOCK INTERRUPT |

**TRUTH TABLE**

| MODE          | SIGNAL |  |                |                                     |
|---------------|--------|--|----------------|-------------------------------------|
|               | CE     | SCK (Note 11)  | MOSI           | MISO                                |
| DISABLE RESET | L      | INPUT DISABLED   | INPUT DISABLED | HIGH Z                              |
| WRITE         | H      | CPOL = 1<br><br>CPOL = 0<br> | DATA BIT LATCH | HIGH Z                              |
| READ          | H      | CPOL = 1<br><br>CPOL = 0<br> | X              | NEXT DATA BIT SHIFTED OUT (Note 12) |

NOTES:

- 11. When interfacing to CDP68HC05 microcontrollers, serial clock phase bit, CPHA, must be set = 1 in the microcomputer’s Control Register.
- 12. MISO remains at a high Z until 8-bits of data are ready to be shifted out during a READ. It remains at a high Z during the entire WRITE cycle.

**Watchdog**

If this bit is set high, the watchdog circuit has detected a CPU failure.

**Test Mode**

When this bit is set high, the device is in the TEST MODE.

**First-time Up**

Power-on reset sets this bit high. This signifies that data in the RAM and Clock is not valid and should be initialized.

**Interrupt True**

A high in this bit signifies that one of the three interrupts (Power Sense, Alarm, and Clock) is valid.

**Power-sense Interrupt**

This bit set high signifies that the power-sense circuit has generated an interrupt.

**Alarm Interrupt**

When the seconds, minutes and hours time and alarm counter are equal, this bit will be set high. Status Register must be read before loading Interrupt Control Register for valid alarm indication after alarm activates.

**Clock Interrupt**

A periodic interrupt will set this bit high.

All bits are reset by a power-on reset except the “FIRST-TIME UP” which is set. All bits except the power-sense bit are reset after a read of this register.

**Pin Signal Description**

**SCK (Serial Clock Input) (Note 13)**

This input causes serial data to be latched from the MOSI input and shifted out on the MISO output.

**MOSI (Master Out/Slave In) (Note 13)**

Data bytes are shifted in at this pin, most significant bit (MSB) first.

**MISO (Master In/Slave Out)**

Data bytes are shifted out at this pin, most significant bit (MSB) first.

**CE (Chip Enable) (Note 14)**

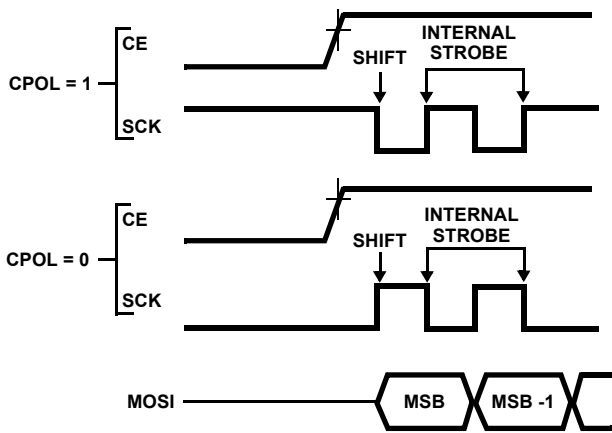
A positive chip-enable input. A low level at this input holds the serial interface logic in a reset state, and disables the output driver at the MISO pin.

NOTES:

- 13. These inputs will retain their previous state if the line driving them goes into a High-Z state.
- 14. The CE input has as internal pull-down device, if the input is in a low state before going to High Z, the input can be left in a High Z.

**Functional Description**

The Serial Peripheral Interface (SPI) utilized by the CDP68HC68T1 is a serial synchronous bus for address and data transfers. The clock, which is generated by the microcomputer is active only during address and data transfers. In systems using the CDP68HC05C4 or CDP68HC05D2, the inactive clock polarity is determined by the CPOL bit in the microcomputer's Control Register. A unique feature of the CDP68HC68T1 is that it automatically determines the level of the inactive clock by sampling SCK when CE becomes active (see Figure 8). Input data (MOSI) is latched internally on the internal strobe edge and output data (MISO) is shifted out on the shift edge, as defined by Figure 8. There is one clock for each data bit transferred (address, as well as data bits are transferred in groups of 8).



NOTE: "CPOL" is a bit that is set in the microcomputer's Control Register.

**FIGURE 8. SERIAL RAM CLOCK (SCK) AS A FUNCTION OF MCU CLOCK POLARITY (CPOL)**

**Address and Data Format**

There are three types of serial transfer:

1. Address Control - Figure 9.
2. READ or WRITE Data - Figure 10.
3. Watchdog Reset (actually a non-transfer) Figure 11.

The Address/Control and Data bytes are shifted MSB first, Into the serial data input (MOSI) and out of the serial data output (MISO).

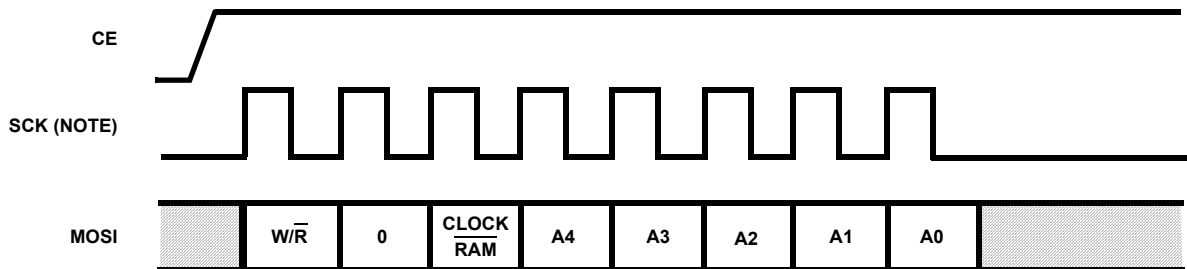
Any transfer of data requires an Address/Control byte to specify a Write or Read operation and to select a Clock or RAM location, followed by one or more bytes of data.

Data is transferred out of MISO for a Read and into MOSI for a Write operation.

**Address/Control Byte - (see Figure 9)**

It is always the first byte received after CE goes true. To transmit a new address, CE must first go false and then true again. Bit 5 is used to select between Clock and RAM locations. Bit 5 is used to select between Clock and RAM locations.

| BIT → | 7   | 6             | 5       | 4  | 3  | 2  | 1  | 0  |
|-------|-----|---------------|---------|--|----|----|----|----|
| ↓     | W/R | 0             | CLK RAM | A4   | A3 | A2 | A1 | A0 |
| 04    |     | A0 through A4 |         | Selects 5-bit HEX Address of RAM or specifies Clock Register. Most Significant Address Bit. If equal to "1", A0 through A4 selects a Clock Register. If equal to "0", A0 through A4 selects one of 32 RAM locations. Must be set to "0" when not in Test Mode 7W/R W/R = "1" initiates one or more WRITE cycles. W/R = "0", initiates one or more READ cycles. |    |    |    |    |
| 5     |     | CLK RAM       |         |  |    |    |    |    |
| 6     |     | 0             |         |  |    |    |    |    |
| 7     |     | W/R           |         |  |    |    |    |    |

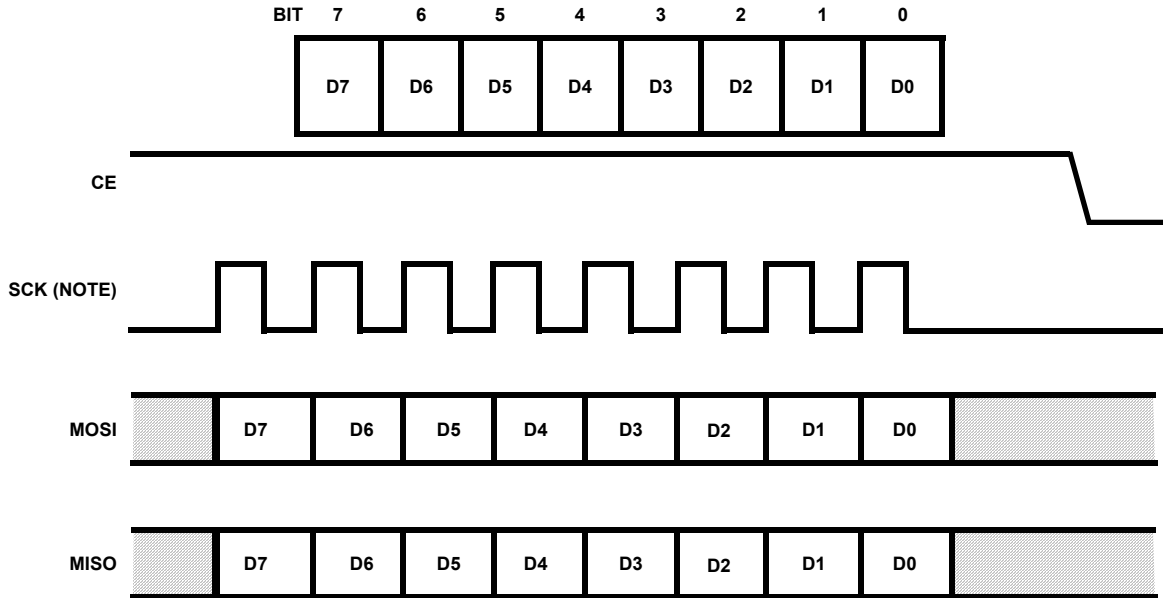


NOTE: SCK can be either polarity.

**FIGURE 9. ADDRESS/CONTROL BYTE-TRANSFER WAVEFORMS**

**Read/Write Data** (See Figure 10)

Read/Write data follows the Address/Control byte.



NOTE: SCK can be either polarity.

FIGURE 10. READ/WRITE DATA TRANSFER WAVEFORMS

**Watchdog Reset** (See Figure 11)

When watchdog operation is selected, CE must be toggled periodically or a CPU reset will be outputted.

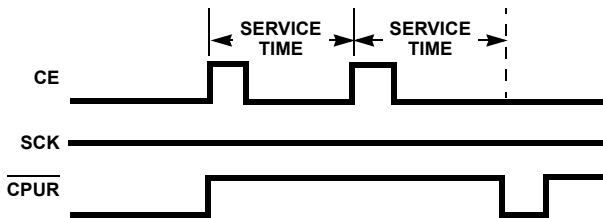


FIGURE 11. WATCHDOG OPERATION WAVEFORMS

**Address and Data**

Data transfers can occur one byte at a time (Figure 12) or in a multibyte burst mode (Figure 13). After the Real-Time Clock enabled, an Address/Control word is sent to set the CLOCK or RAM and select the type of operation (i.e., Read or Write). For a single-byte Read or Write, one byte is transferred to or from the Clock Register or RAM location specified in the Address/Control byte and the Real-Time Clock is then disabled. Write cycle causes the latched Clock Register or RAM address to automatically increment. Incrementing continues after each transfer until the device is disabled. After incrementing to 1FH the address will “wrap” to 00H and continue. Therefore, when the RAM is selected the address will “wrap” to 00H and when the clock is selected the address will “wrap” 20H.



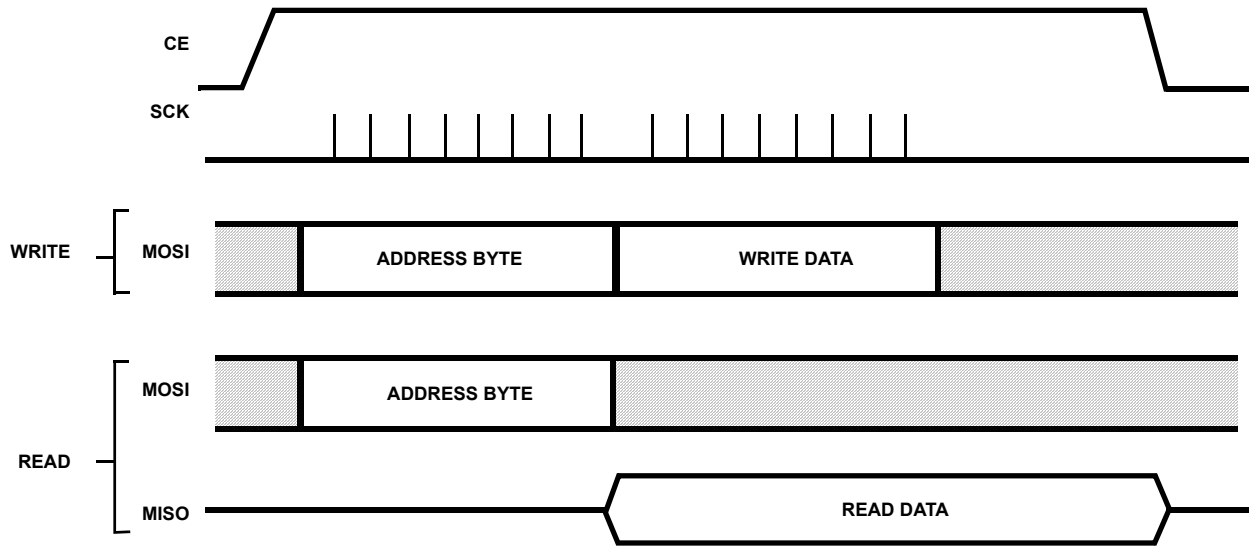


FIGURE 12. SINGLE-BYTE TRANSFER WAVEFORMS

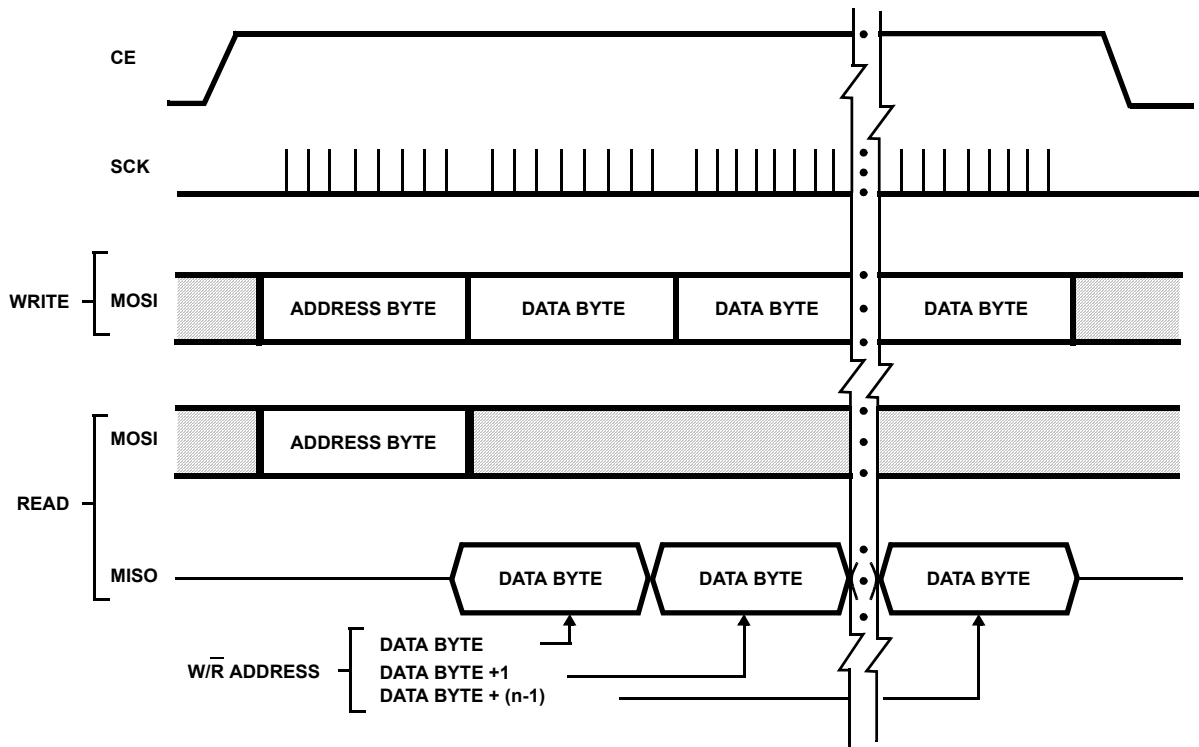
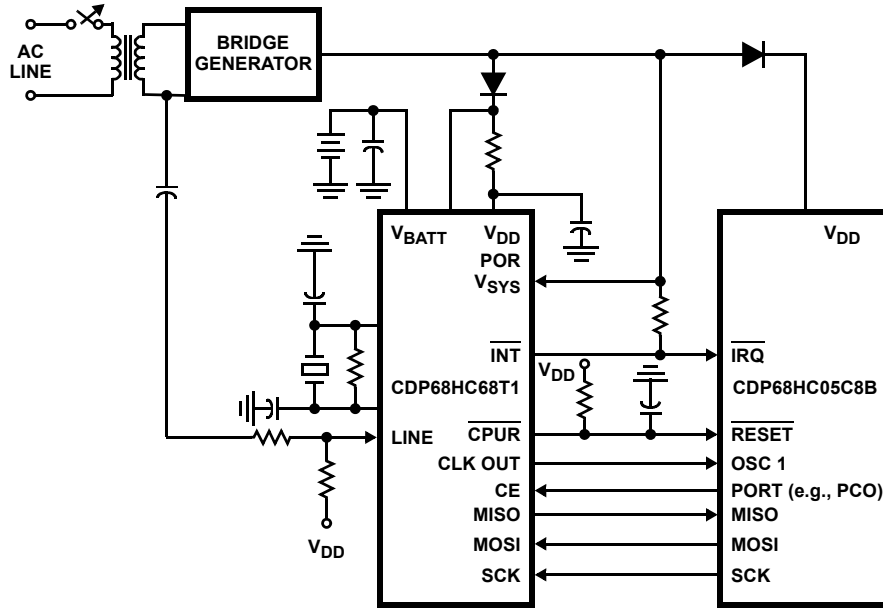


FIGURE 13. MULTIPLE-BYTE TRANSFER WAVEFORMS



System Diagrams (Continued)



NOTE: Example of a system in which the power is controlled by an external source. The LINE input pin can sense when the switch opens by use of the POWER-SENSE INTERRUPT. The CDP68HC68T1 crystal drives the clock input to the CPU using the CLK OUT pin. On power down when  $V_{SYS} < V_{BATT} + 1.0V$ ,  $V_{BATT}$  will power the CDP68HC68T1. A threshold detect activates a P-Channel switch, connecting  $V_{BATT}$  to  $V_{DD}$ .  $V_{BATT}$  always supplies power to the oscillator, keeping voltage frequency variation to a minimum.

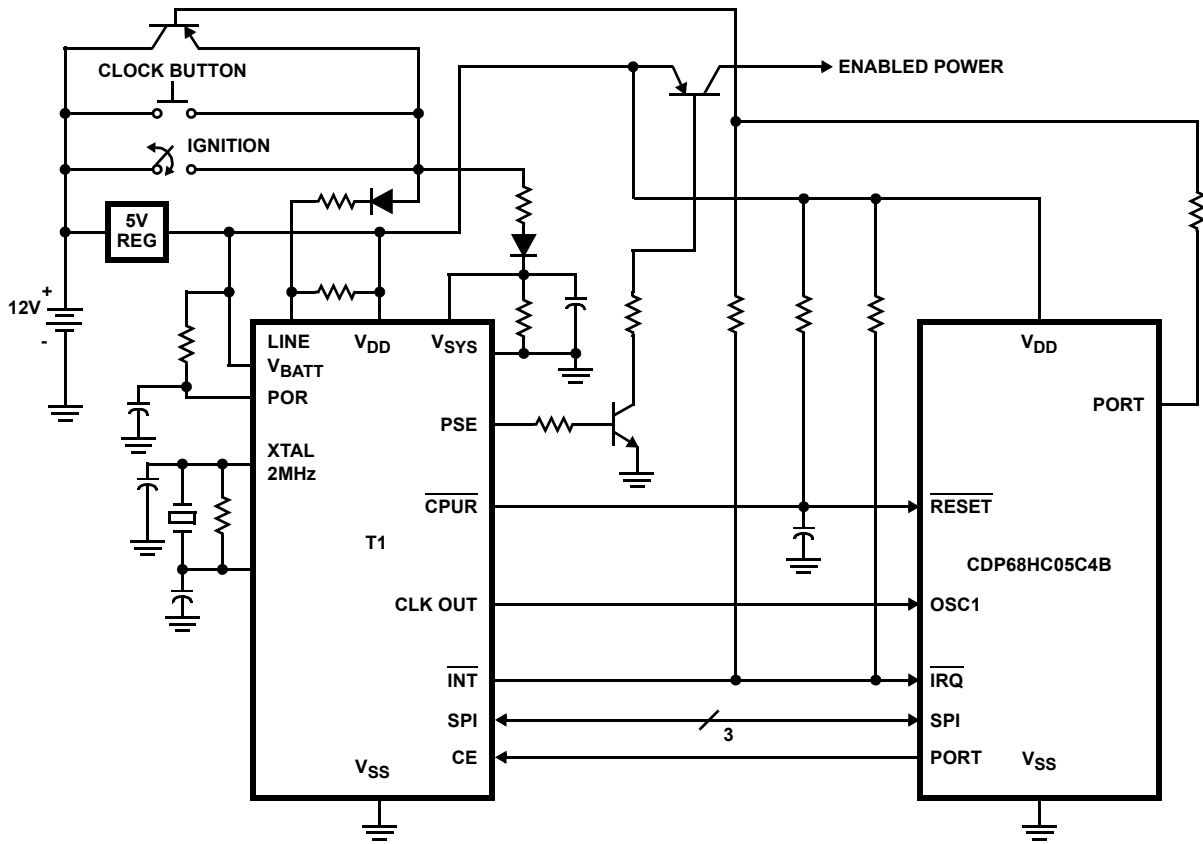
FIGURE 17. EXTERNALLY CONTROLLED POWER SYSTEM DIAGRAM

A Procedure for Power-Down Operation might consist of the following:

1. Set power sense operation by writing Bit 5 high in the Interrupt Control Register.
2. When an interrupt occurs, the CPU reads the Status Register to determine the interrupt source.
3. Sensing a power failure, the CPU does the necessary housekeeping to prepare for shutdown.
4. The CPU reads the Status Register again after several milliseconds to determine validity of power failure.
5. The CPU sets power-down Bit 6 and disables all interrupts in the Interrupt Control Register when power down is verified. This causes the CPU reset and clock out to be held low and disconnects the serial interface.
6. When power returns and  $V_{SYS}$  rises above  $V_{BATT}$ , power-down is terminated. The CPU reset is released and serial communication is established.



System Diagrams (Continued)



Example of an automotive system. The  $V_{SYS}$  and  $LINE$  inputs can be used to sense the ignition turning on and off. An external switch is included to activate the system without turning on the ignition. Also, the CMOS CPU is not powered down with the system  $V_{DD}$ , but is held in a low power reset mode during power down. When restoring power the CDP68HC68T1 will enable the  $CLK OUT$  pin and set the  $PSE$  and  $\overline{CPUR}$  high.

Important Application Note: Those units with a code of 6PG have delayed alarm interrupts of 8.3ms regardless of CDP68HC68T1's operating frequency. (See "Functional Description",  $INT$  on page 10.) In addition, reading the Status Register before delayed alarm activates will disable alarm signal.

FIGURE 19. AUTOMOTIVE SYSTEM DIAGRAM

**Revision History**

The revision history provided is for informational purposes only and is believed to be accurate, but not warranted. Please go to the web to make sure that you have the latest revision.

| DATE             | REVISION | CHANGE  |
|------------------|----------|---|
| December 8, 2015 | FN1547.9 | <p>Updated Ordering Information Table on page 2.</p> <p>Page 3: Changed Theta JA values and added Theta JC values:<br/>                     16ld PDIP Theta Ja from 90 to 85. Theta Jc 35 (Notes 1,3)<br/>                     16ld SOIC Theta Ja from 100 to 65. Theta Jc 26 (Notes 2,3)<br/>                     20ld SOIC Theta Ja from 95 to 60. Theta Jc 26 (Notes 2,3)<br/>                     Added Notes 2 and 3<br/>                     Updated Pb-free Reflow Profile link</p> <p>Added Revision History and About Intersil sections.</p> <p>Updated POD M20.3 to latest revision. Changes:<br/>                     Top View:<br/>                     Corrected "7.50 BSC" to "7.60/7.40" (no change from rev 2; error was introduced in conversion)<br/>                     Changed "10.30 BSC" to "10.65/10.00" (no change from rev 2; error was introduced in conversion)</p> <p>Side View:<br/>                     Changed "12.80 BSC" to "13.00/12.60" (no change from rev 2; error was introduced in conversion)<br/>                     Changed "2.65 max" to "2.65/2.35" (no change from rev 2; error was introduced in conversion)</p> <p>Changed Note 1 from "ANSI Y14.5M-1982." to "ASME Y14.5M-1994"</p> <p>Updated to new POD format by moving dimensions from table onto drawing and adding land pattern</p> |

**About Intersil**

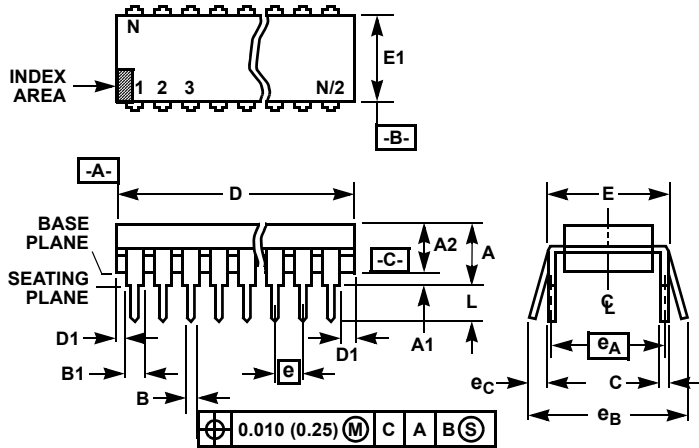
Intersil Corporation is a leading provider of innovative power management and precision analog solutions. The company's products address some of the largest markets within the industrial and infrastructure, mobile computing and high-end consumer markets.

For the most updated datasheet, application notes, related documentation and related parts, please see the respective product information page found at [www.intersil.com](http://www.intersil.com).

You may report errors or suggestions for improving this datasheet by visiting [www.intersil.com/ask](http://www.intersil.com/ask).

Reliability reports are also available from our website at [www.intersil.com/support](http://www.intersil.com/support)

Dual-In-Line Plastic Packages (PDIP)



NOTES:

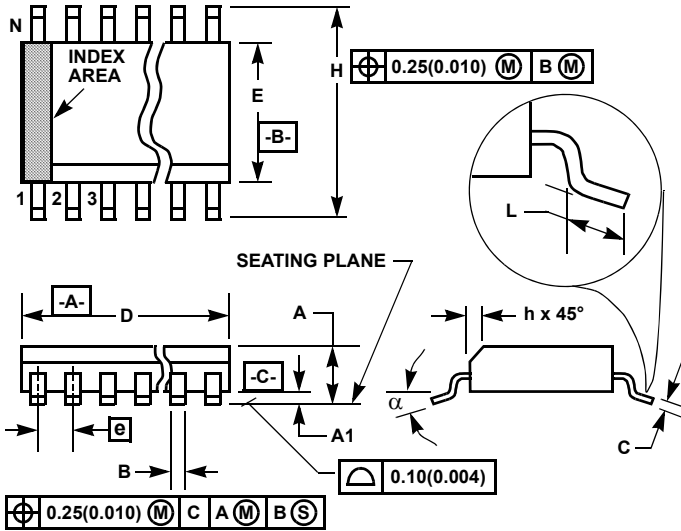
1. Controlling Dimensions: INCH. In case of conflict between English and Metric dimensions, the inch dimensions control.
2. Dimensioning and tolerancing per ANSI Y14.5M-1982.
3. Symbols are defined in the "MO Series Symbol List" in Section 2.2 of Publication No. 95.
4. Dimensions A, A1 and L are measured with the package seated in JEDEC seating plane gauge GS-3.
5. D, D1, and E1 dimensions do not include mold flash or protrusions. Mold flash or protrusions shall not exceed 0.010 inch (0.25mm).
6. E and  $e_A$  are measured with the leads constrained to be perpendicular to datum -C-.
7.  $e_B$  and  $e_C$  are measured at the lead tips with the leads unconstrained.  $e_C$  must be zero or greater.
8. B1 maximum dimensions do not include dambar protrusions. Dambar protrusions shall not exceed 0.010 inch (0.25mm).
9. N is the maximum number of terminal positions.
10. Corner leads (1, N, N/2 and N/2 + 1) for E8.3, E16.3, E18.3, E28.3, E42.6 will have a B1 dimension of 0.030 - 0.045 inch (0.76 - 1.14mm).

E16.3 (JEDEC MS-001-BB ISSUE D)  
16 LEAD DUAL-IN-LINE PLASTIC PACKAGE

| SYMBOL | INCHES    |       | MILLIMETERS |       | NOTES |
|--------|-----------|-------|-------------|-------|-------|
|        | MIN       | MAX   | MIN         | MAX   |       |
| A      | -         | 0.210 | -           | 5.33  | 4     |
| A1     | 0.015     | -     | 0.39        | -     | 4     |
| A2     | 0.115     | 0.195 | 2.93        | 4.95  | -     |
| B      | 0.014     | 0.022 | 0.356       | 0.558 | -     |
| B1     | 0.045     | 0.070 | 1.15        | 1.77  | 8, 10 |
| C      | 0.008     | 0.014 | 0.204       | 0.355 | -     |
| D      | 0.735     | 0.775 | 18.66       | 19.68 | 5     |
| D1     | 0.005     | -     | 0.13        | -     | 5     |
| E      | 0.300     | 0.325 | 7.62        | 8.25  | 6     |
| E1     | 0.240     | 0.280 | 6.10        | 7.11  | 5     |
| e      | 0.100 BSC |       | 2.54 BSC    |       | -     |
| $e_A$  | 0.300 BSC |       | 7.62 BSC    |       | 6     |
| $e_B$  | -         | 0.430 | -           | 10.92 | 7     |
| L      | 0.115     | 0.150 | 2.93        | 3.81  | 4     |
| N      | 16        |       | 16          |       | 9     |

Rev. 0 12/93

Small Outline Plastic Packages (SOIC)



**M16.3 (JEDEC MS-013-AA ISSUE C)**  
**16 LEAD WIDE BODY SMALL OUTLINE PLASTIC PACKAGE**

| SYMBOL | INCHES    |        | MILLIMETERS |       | NOTES |
|--------|-----------|--------|-------------|-------|-------|
|        | MIN       | MAX    | MIN         | MAX   |       |
| A      | 0.0926    | 0.1043 | 2.35        | 2.65  | -     |
| A1     | 0.0040    | 0.0118 | 0.10        | 0.30  | -     |
| B      | 0.013     | 0.0200 | 0.33        | 0.51  | 9     |
| C      | 0.0091    | 0.0125 | 0.23        | 0.32  | -     |
| D      | 0.3977    | 0.4133 | 10.10       | 10.50 | 3     |
| E      | 0.2914    | 0.2992 | 7.40        | 7.60  | 4     |
| e      | 0.050 BSC |        | 1.27 BSC    |       | -     |
| H      | 0.394     | 0.419  | 10.00       | 10.65 | -     |
| h      | 0.010     | 0.029  | 0.25        | 0.75  | 5     |
| L      | 0.016     | 0.050  | 0.40        | 1.27  | 6     |
| N      | 16        |        | 16          |       | 7     |
| α      | 0°        | 8°     | 0°          | 8°    | -     |

NOTES:

1. Symbols are defined in the "MO Series Symbol List" in Section 2.2 of Publication Number 95.
2. Dimensioning and tolerancing per ANSI Y14.5M-1982.
3. Dimension "D" does not include mold flash, protrusions or gate burrs. Mold flash, protrusion and gate burrs shall not exceed 0.15mm (0.006 inch) per side.
4. Dimension "E" does not include interlead flash or protrusions. Interlead flash and protrusions shall not exceed 0.25mm (0.010 inch) per side.
5. The chamfer on the body is optional. If it is not present, a visual index feature must be located within the crosshatched area.
6. "L" is the length of terminal for soldering to a substrate.
7. "N" is the number of terminal positions.
8. Terminal numbers are shown for reference only.
9. The lead width "B", as measured 0.36mm (0.014 inch) or greater above the seating plane, shall not exceed a maximum value of 0.61mm (0.024 inch)
10. Controlling dimension: MILLIMETER. Converted inch dimensions are not necessarily exact.

Rev. 1 6/05

All Intersil U.S. products are manufactured, assembled and tested utilizing ISO9001 quality systems.  
 Intersil Corporation's quality certifications can be viewed at [www.intersil.com/design/quality](http://www.intersil.com/design/quality)

*Intersil products are sold by description only. Intersil Corporation reserves the right to make changes in circuit design, software and/or specifications at any time without notice. Accordingly, the reader is cautioned to verify that data sheets are current before placing orders. Information furnished by Intersil is believed to be accurate and reliable. However, no responsibility is assumed by Intersil or its subsidiaries for its use; nor for any infringements of patents or other rights of third parties which may result from its use. No license is granted by implication or otherwise under any patent or patent rights of Intersil or its subsidiaries.*

For information regarding Intersil Corporation and its products, see [www.intersil.com](http://www.intersil.com)

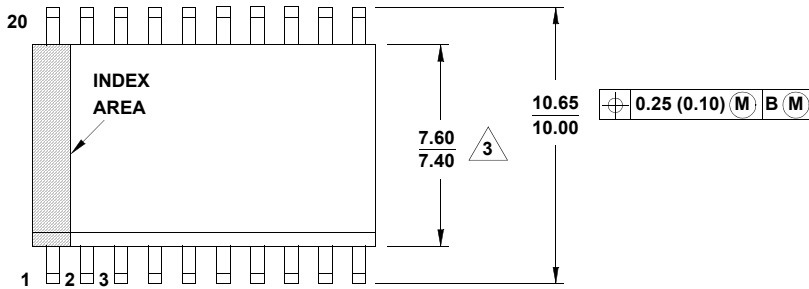


# Package Outline Drawing

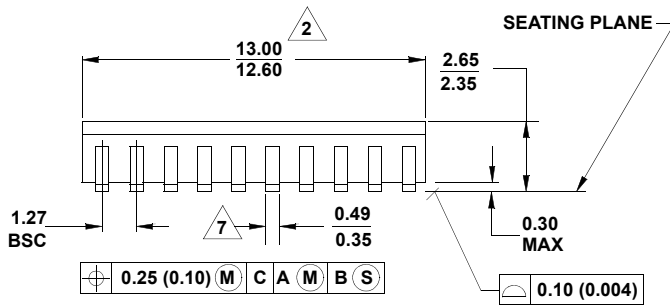
## M20.3

20 LEAD WIDE BODY SMALL OUTLINE PLASTIC PACKAGE (SOIC)

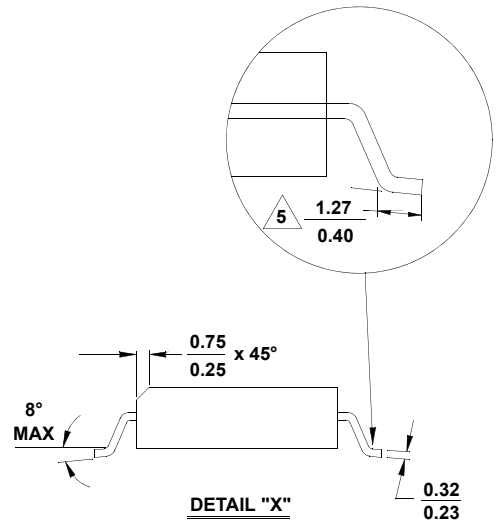
Rev 3, 2/11



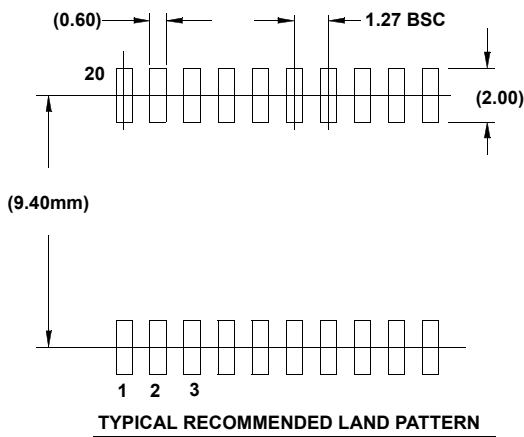
TOP VIEW



SIDE VIEW



DETAIL "X"



TYPICAL RECOMMENDED LAND PATTERN

NOTES:

1. Dimensioning and tolerancing per ASME Y14.5M-1994.
2. Dimension does not include mold flash, protrusions or gate burrs. Mold flash, protrusion and gate burrs shall not exceed 0.15mm (0.006 inch) per side.
3. Dimension does not include interlead lash or protrusions. Interlead flash and protrusions shall not exceed 0.25mm (0.010 inch) per side.
4. The chamfer on the body is optional. If it is not present, a visual index feature must be located within the crosshatched area.
5. Dimension is the length of terminal for soldering to a substrate.
6. Terminal numbers are shown for reference only.
7. The lead width as measured 0.36mm (0.14 inch) or greater above the seating plane, shall not exceed a maximum value of 0.61mm (0.024 inch)
8. Controlling dimension: MILLIMETER.
9. Dimensions in ( ) for reference only.
10. JEDEC reference drawing number: MS-013-AC.